



US00D830165S

(12) **United States Design Patent** (10) **Patent No.:** **US D830,165 S**
Thompson et al. (45) **Date of Patent:** **** Oct. 9, 2018**

(54) **FEMININE HYGIENE ARTICLE PACKAGE**

(71) Applicant: **The Procter & Gamble Company**,
Cincinnati, OH (US)

(72) Inventors: **Frances J. Thompson**, Pleasant Ridge,
OH (US); **Jerry Ray Stephens**,
Hamilton, OH (US); **Alan Thomas**
Kastner, Cincinnati, OH (US)

(73) Assignee: **The Procter & Gamble Company**,
Cincinnati, OH (US)

(**) Term: **15 Years**

(21) Appl. No.: **29/576,895**

(22) Filed: **Sep. 8, 2016**

Related U.S. Application Data

(62) Division of application No. 29/486,323, filed on Mar.
28, 2014, now Pat. No. Des. 768,475.

(51) **LOC (11) Cl.** **09-03**

(52) **U.S. Cl.**
USPC **D9/418**

(58) **Field of Classification Search**
USPC D9/414-418, 621, 434, 432, 499, 631,
D9/430; D5/63; 206/459.5, 459.1
CPC B65D 5/5007
See application file for complete search history.

(56) **References Cited**

U.S. PATENT DOCUMENTS

- 3,866,815 A * 2/1975 Desmond B65D 5/422
206/459.5
- 4,921,474 A 5/1990 Suzuki et al.
- D415,565 S 10/1999 Hayes et al.
- D450,578 S * 11/2001 Tomaselli D9/631
- D601,377 S * 10/2009 Gronlund D6/629
- D617,183 S * 6/2010 Stephens D9/430
- D620,592 S 7/2010 VanDenBogart et al.
- D625,177 S * 10/2010 Seum D9/418

- D633,788 S * 3/2011 Slayton D5/63
- D654,789 S * 2/2012 DuVal D9/432
- D655,155 S * 3/2012 Tekulve D9/432
- D656,395 S * 3/2012 Campbell D9/434
- D674,692 S * 1/2013 Chase D9/434
- D675,093 S * 1/2013 Hughes D9/434
- D686,066 S * 7/2013 Macaulay D9/434
- D701,760 S * 4/2014 Fraser D9/434

(Continued)

FOREIGN PATENT DOCUMENTS

WO WO2014041807 A1 3/2014

OTHER PUBLICATIONS

U.S. Appl. No. 29/486,322, filed Mar. 28, 2014, Stephens.
U.S. Appl. No. 29/249,685, filed Mar. 21, 2016, Widalys Luz De
Soto-Burt.

Primary Examiner — Rhea M Shields

(74) *Attorney, Agent, or Firm* — George H. Leal

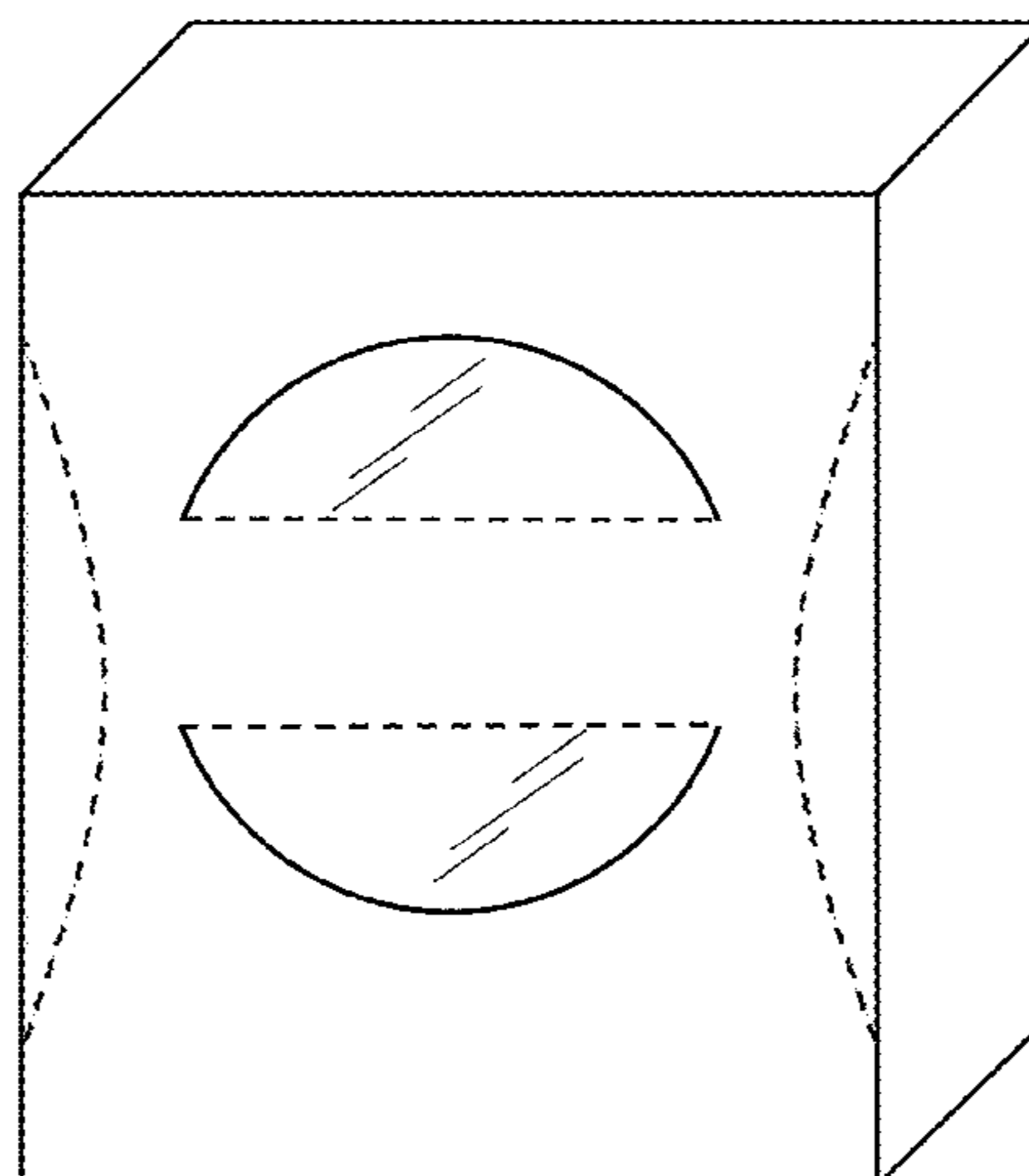
(57) **CLAIM**

The ornamental design for a feminine hygiene article pack-
age, as shown and described.

DESCRIPTION

FIG. 1 is a front perspective view of a first embodiment of
a feminine hygiene article package embodying the new
design;
FIG. 2 is a front view of the design shown in FIG. 1;
FIG. 3 is a back view of the design shown in FIG. 1;
FIG. 4 is a top view of the design shown in FIG. 1; the
bottom view is the same and thus omitted; and,
FIG. 5 is a right side view of the design shown in FIG. 1; the
left side view is the same and thus omitted. The figures are
lined for transparency.
In the drawings, the broken lines are for the purpose of
illustrating environment only and form no part of the
claimed design.

1 Claim, 5 Drawing Sheets



(56)

References Cited

U.S. PATENT DOCUMENTS

D706,630	S	*	6/2014	Merchant	D9/434
D743,787	S	*	11/2015	Hood	D9/434
D744,333	S	*	12/2015	Hood	D9/434
D745,394	S	*	12/2015	Hood	D9/432
D747,196	S	*	1/2016	Merchant	D9/434
D749,942	S	*	2/2016	Clough	D9/418
D752,439	S	*	3/2016	Abel	D9/499
D753,487	S	*	4/2016	Wells	D9/434
D755,380	S		5/2016	De Soto-Burt et al.		
D764,913	S	*	8/2016	Hood	D9/434
D767,996	S	*	10/2016	Spenceman	D9/434
D768,475	S	*	10/2016	Thompson	D9/414
D768,480	S	*	10/2016	Hood	D9/434
D772,072	S	*	11/2016	Klopp	D9/434
D775,520	S	*	1/2017	Stephens	D9/414
D779,320	S	*	2/2017	Rubio	D9/432
D779,321	S	*	2/2017	Rubio	D9/432
D779,322	S	*	2/2017	Rubio	D9/432
D779,327	S	*	2/2017	Fraser	D9/499
D808,262	S	*	1/2018	Heidel	D9/434
D814,917	S	*	4/2018	Kase	D9/415
D814,938	S	*	4/2018	Thompson	D9/621
2014/0034538	A1	*	2/2014	Biggs	B65D 85/00 206/459.1

* cited by examiner

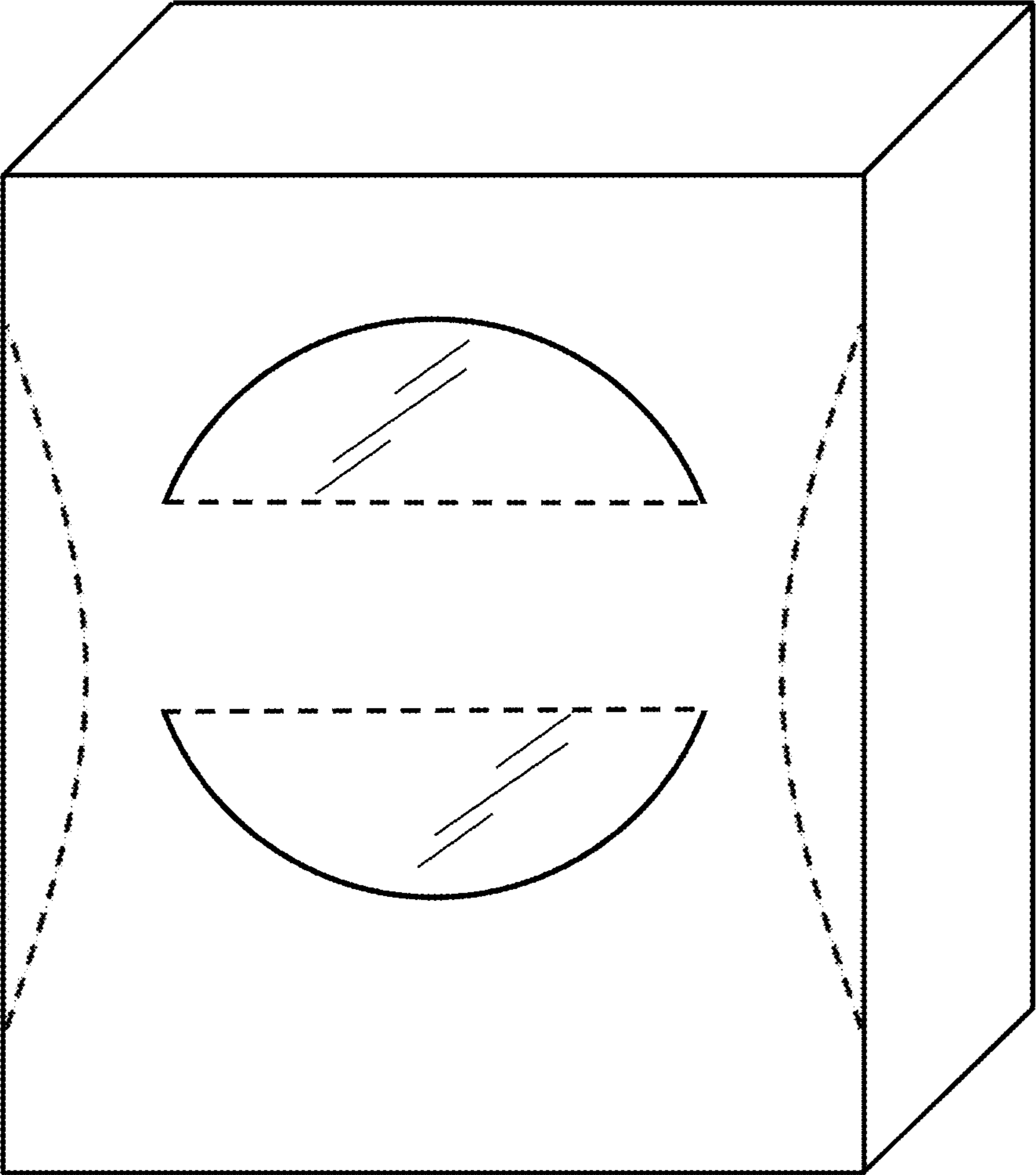


Figure 1

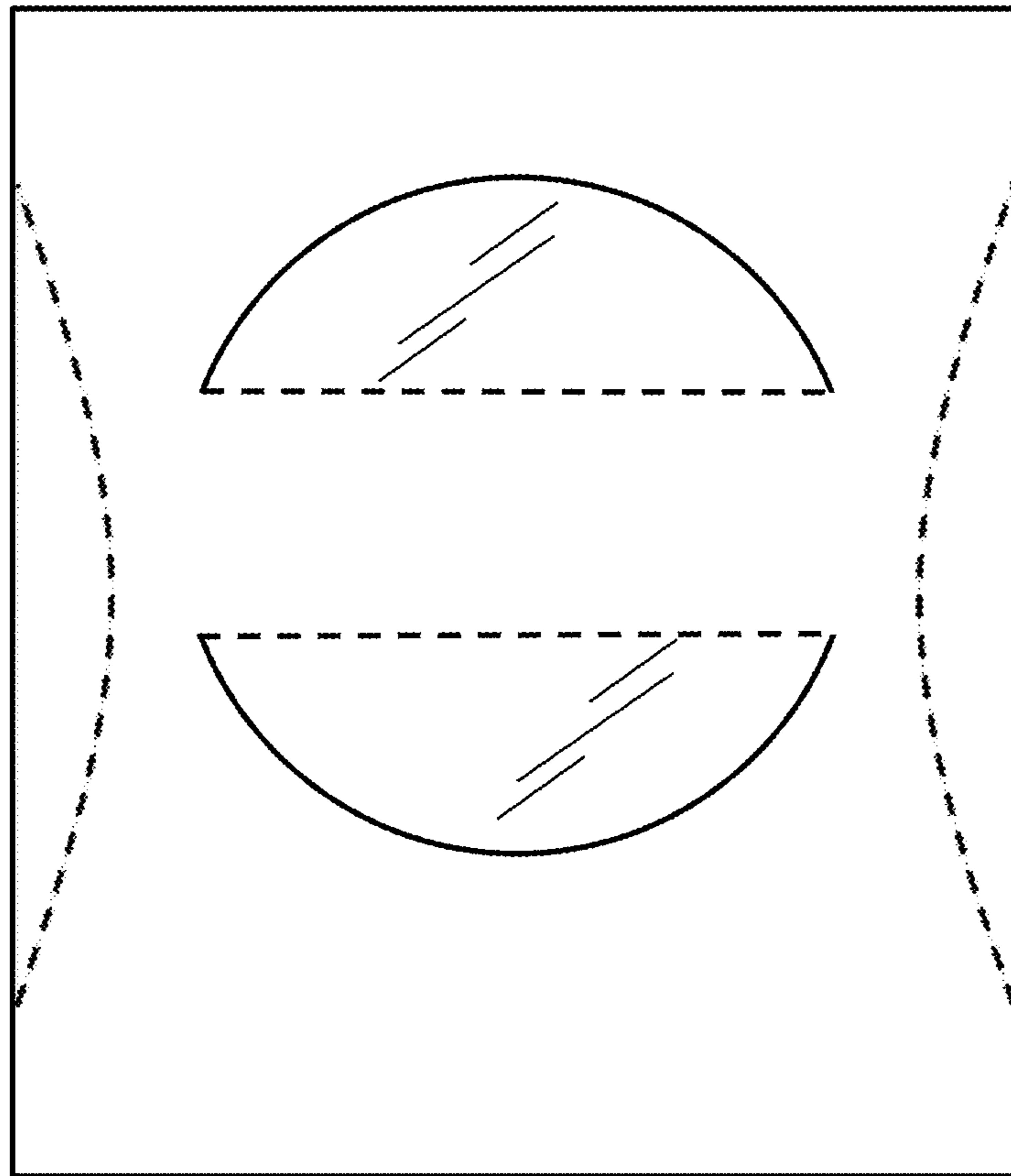


Figure 2

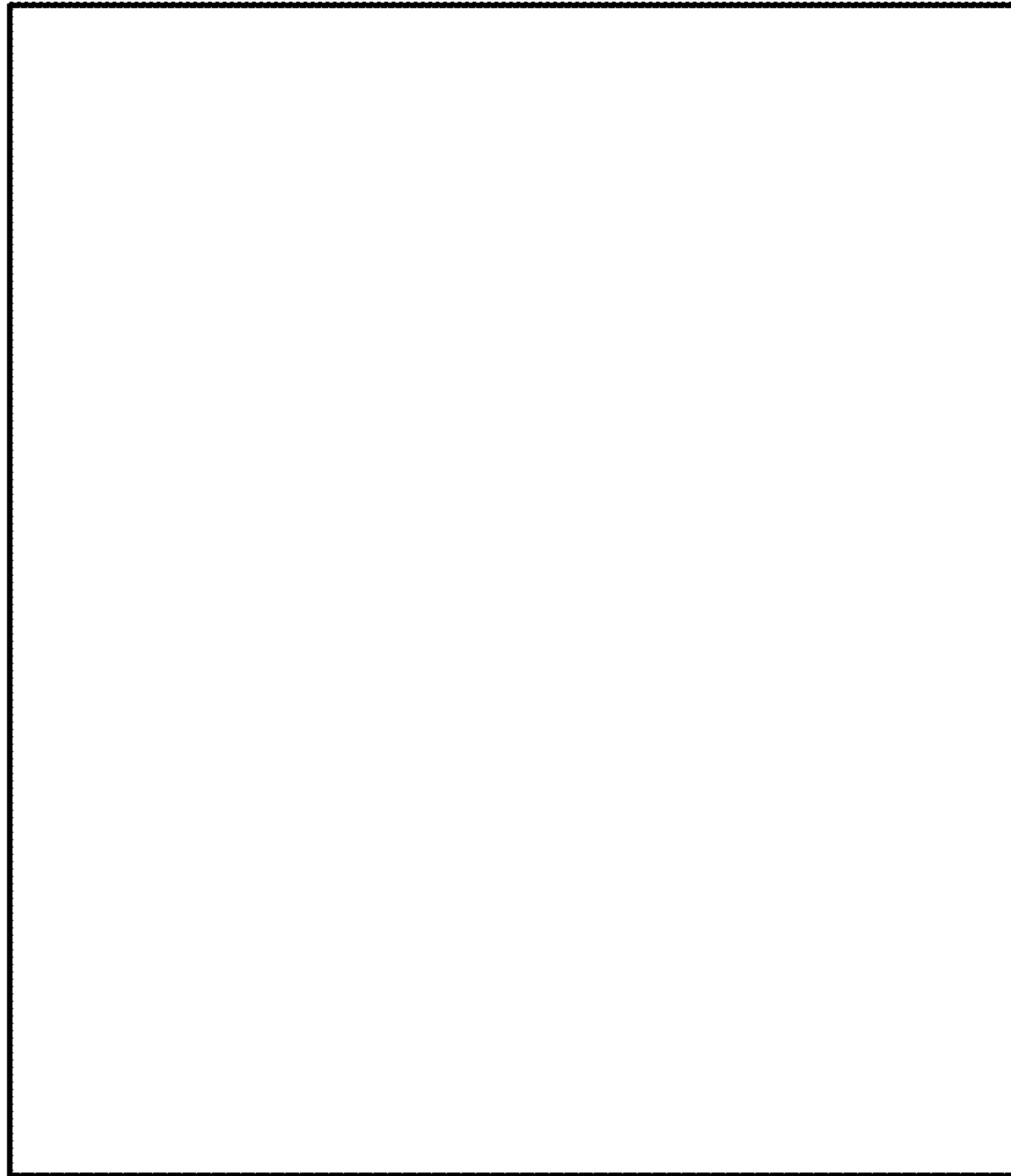


Figure 3

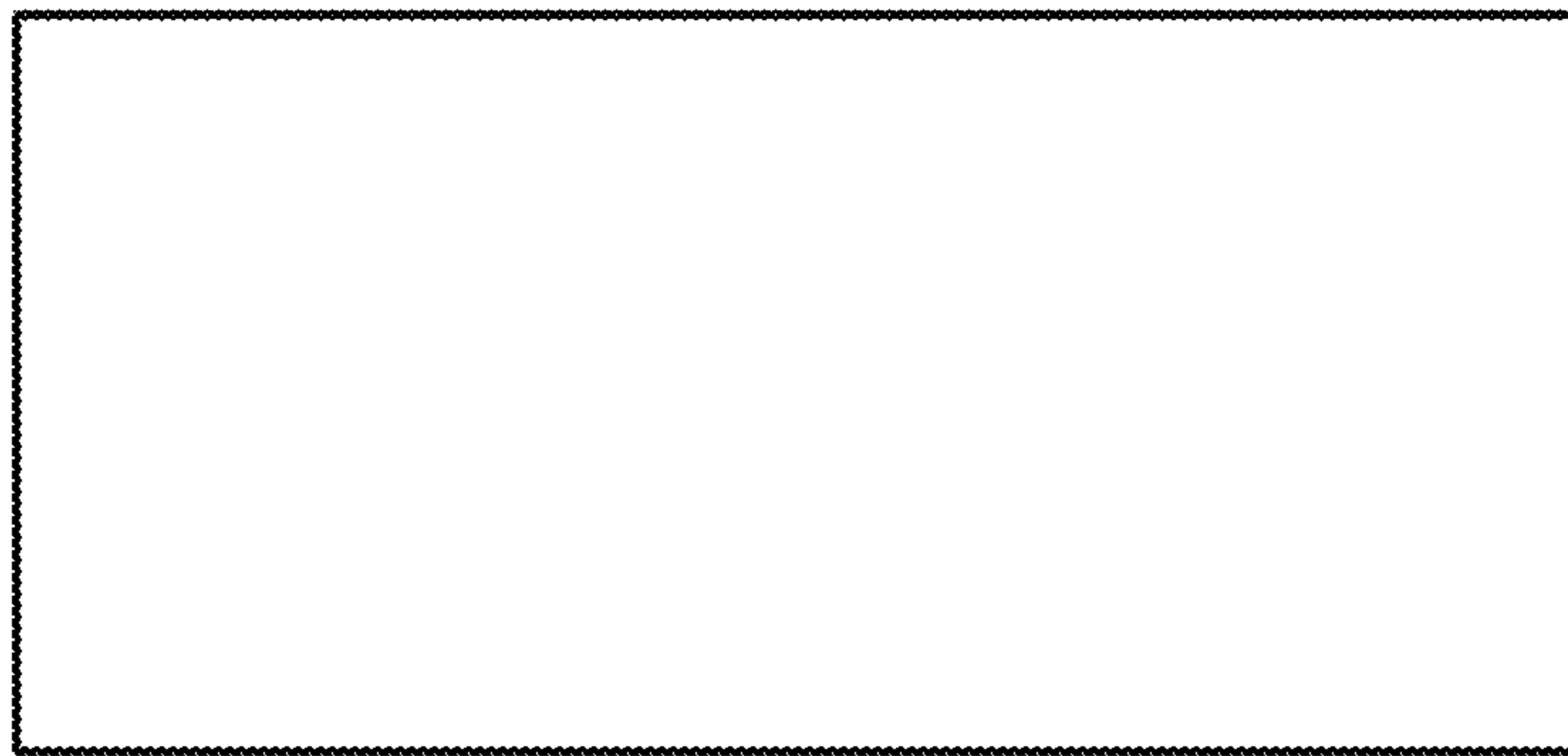


Figure 4



Figure 5