

US00D830164S

(12) **United States Design Patent** (10) **Patent No.:** **US D830,164 S**
Miller et al. (45) **Date of Patent:** **** Oct. 9, 2018**

(54) **THERMOFORM FOR ORAL-CARE DEVICE**

(71) Applicant: **The Procter & Gamble Company,**
Cincinnati, OH (US)

(72) Inventors: **Christopher Miles Miller,** Hamilton,
OH (US); **Herman William Meyer,**
West Harrison, IN (US)

(73) Assignee: **THE PROCTER & GAMBLE**
COMPANY, Cincinnati, OH (US)

(**) Term: **15 Years**

(21) Appl. No.: **29/564,209**

(22) Filed: **May 11, 2016**

(51) **LOC (11) Cl.** **09-03**

(52) **U.S. Cl.**
USPC **D9/416**

(58) **Field of Classification Search**
USPC D9/414-418, 423, 748, 737, 756, 424,
D9/762, 425, 435, 456, 761, 420, 426,
D9/715; D24/222, 224; D3/282, 273
CPC B65D 73/02; A61L 9/12
See application file for complete search history.

(56) **References Cited**

U.S. PATENT DOCUMENTS

D412,277 S *	7/1999	Herbruck	D9/762
D531,501 S *	11/2006	Gomoll	D9/435
D537,718 S *	3/2007	Gomoll	D9/435
D551,975 S *	10/2007	Gomoll	D9/435
D642,048 S *	7/2011	Ocampo	D9/424
D653,533 S *	2/2012	Brachman	D9/415
D655,204 S *	3/2012	Meyers	D9/715
D683,210 S *	5/2013	Cox	D9/420
D721,578 S *	1/2015	Julius	D9/435
D722,770 S *	2/2015	Lin	D3/273
D724,425 S *	3/2015	Atkinson	D9/415

D727,024 S *	4/2015	Robinson	D3/282
D735,028 S *	7/2015	Baillies	D9/425
D735,573 S *	8/2015	Jondal	D9/426
D739,551 S *	9/2015	Castaing	D24/222
D743,250 S *	11/2015	Kikuhara	D9/425
D747,963 S *	1/2016	Scalise	D9/420
D748,465 S *	2/2016	Gupta	D9/415
D748,992 S *	2/2016	Parikh	D9/761
D752,430 S *	3/2016	Stevenson	D9/425
9,422,094 B2 *	8/2016	Niuro	B65D 73/02
D767,987 S *	10/2016	Wu	D9/415
D774,901 S *	12/2016	Geheran	D9/423
D782,330 S *	3/2017	Kim	D9/456
D795,695 S *	8/2017	Snedden	D9/424
D800,915 S *	10/2017	Livingston	D24/224
D801,193 S *	10/2017	Vorobej	D9/756
D804,322 S *	12/2017	Fox	D9/756
D804,962 S *	12/2017	Fox	D9/756
D806,574 S *	1/2018	Ozenne	D9/737
D808,795 S *	1/2018	Owens	D9/425
D808,823 S *	1/2018	Greene	D9/748
D814,292 S *	4/2018	Yuan	D9/424
D816,482 S *	5/2018	Street	D9/423

(Continued)

Primary Examiner — Rhea M Shields

(74) *Attorney, Agent, or Firm* — Vladimir Vitenberg

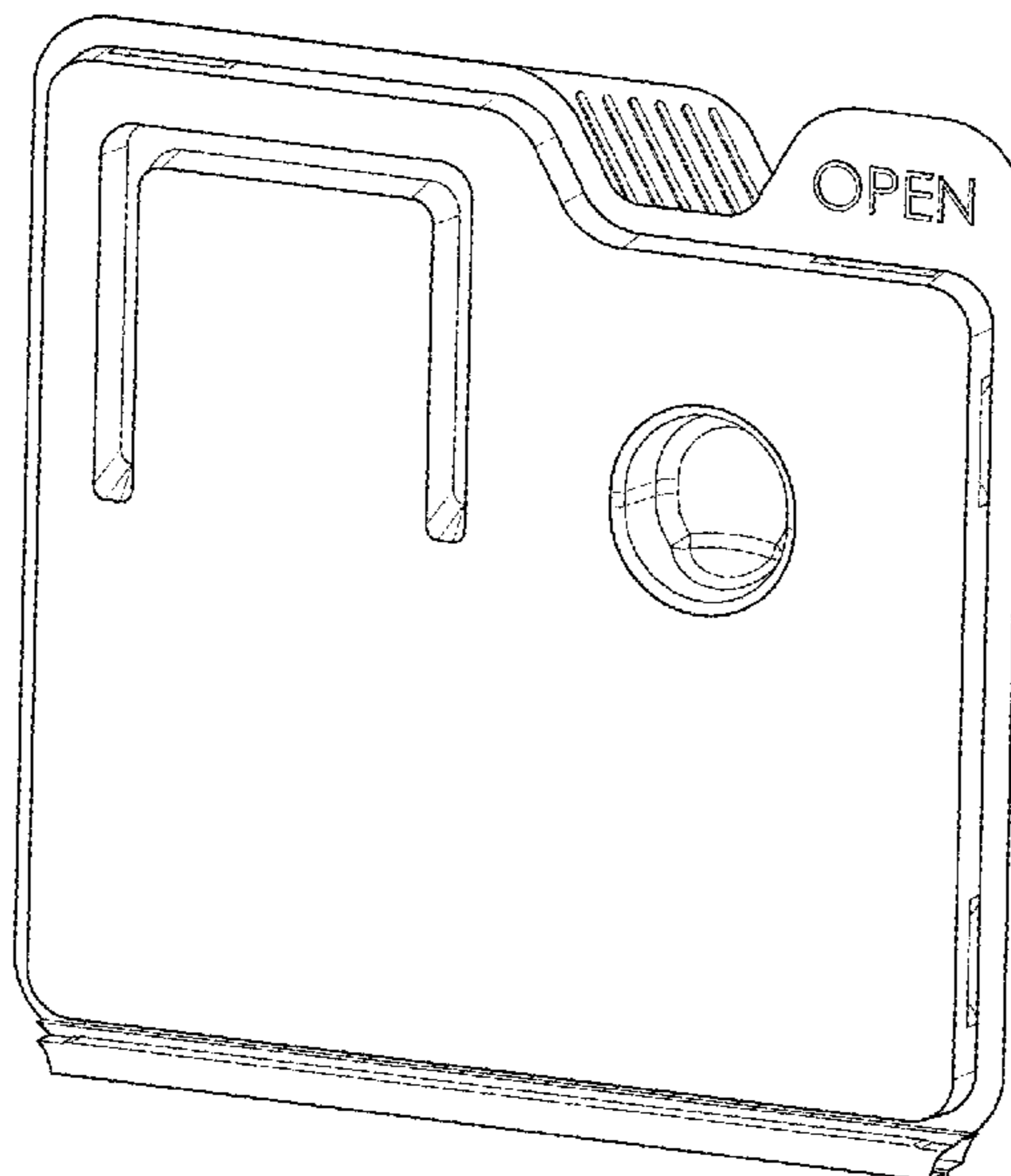
(57) **CLAIM**

The ornamental design for a thermoform for oral-care device, as shown and described.

DESCRIPTION

FIG. 1 is a perspective view of a thermoform for oral-care device showing our new design;
FIG. 2 is a front view thereof;
FIG. 3 is a left-side view thereof;
FIG. 4 is a back view thereof;
FIG. 5 is a right-side view thereof;
FIG. 6 is a top view thereof; and,
FIG. 7 is a bottom view thereof.

1 Claim, 3 Drawing Sheets



(56)

References Cited

U.S. PATENT DOCUMENTS

D816,487 S * 5/2018 Su D9/424
2017/0043047 A1 * 2/2017 Beck A61L 9/12

* cited by examiner

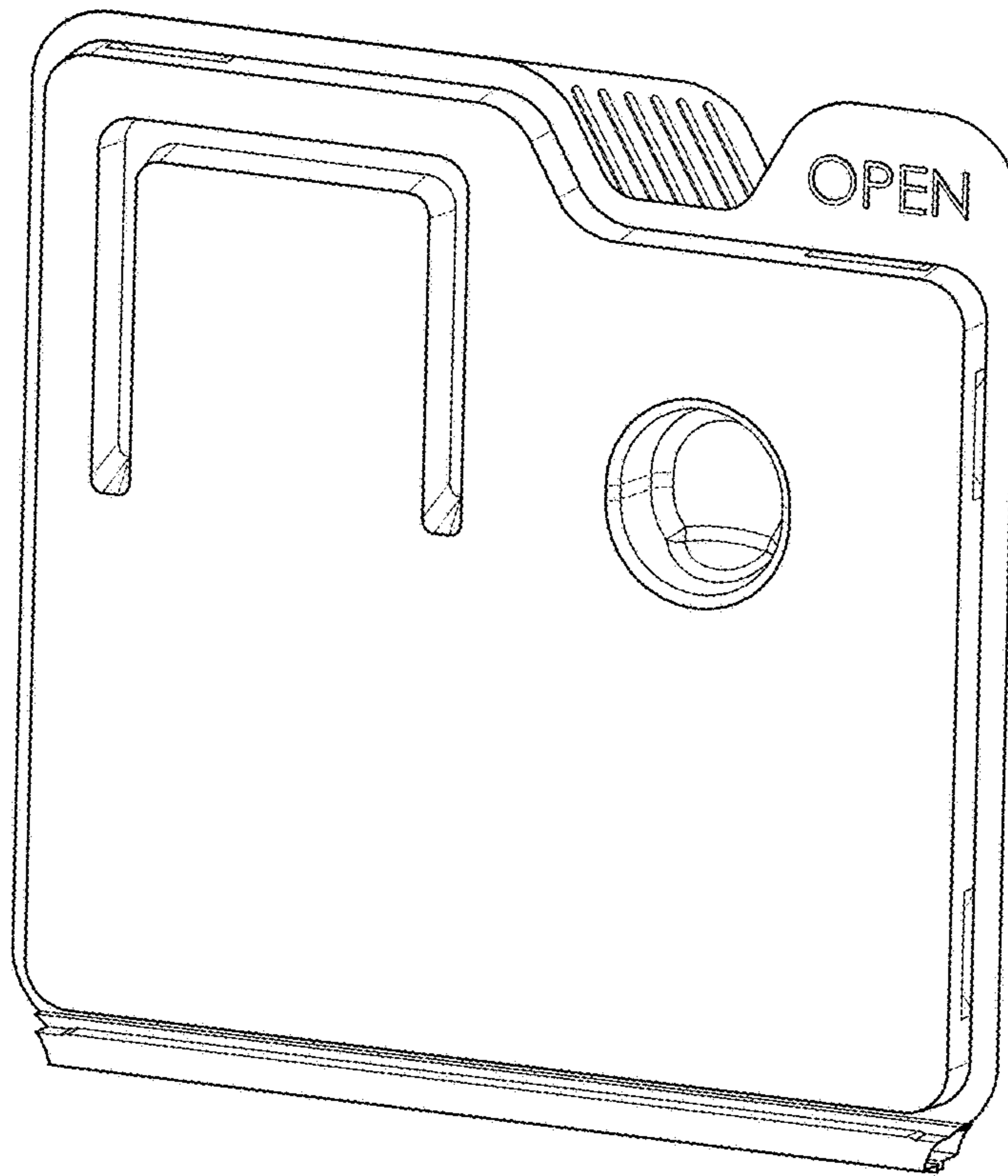


FIG. 1

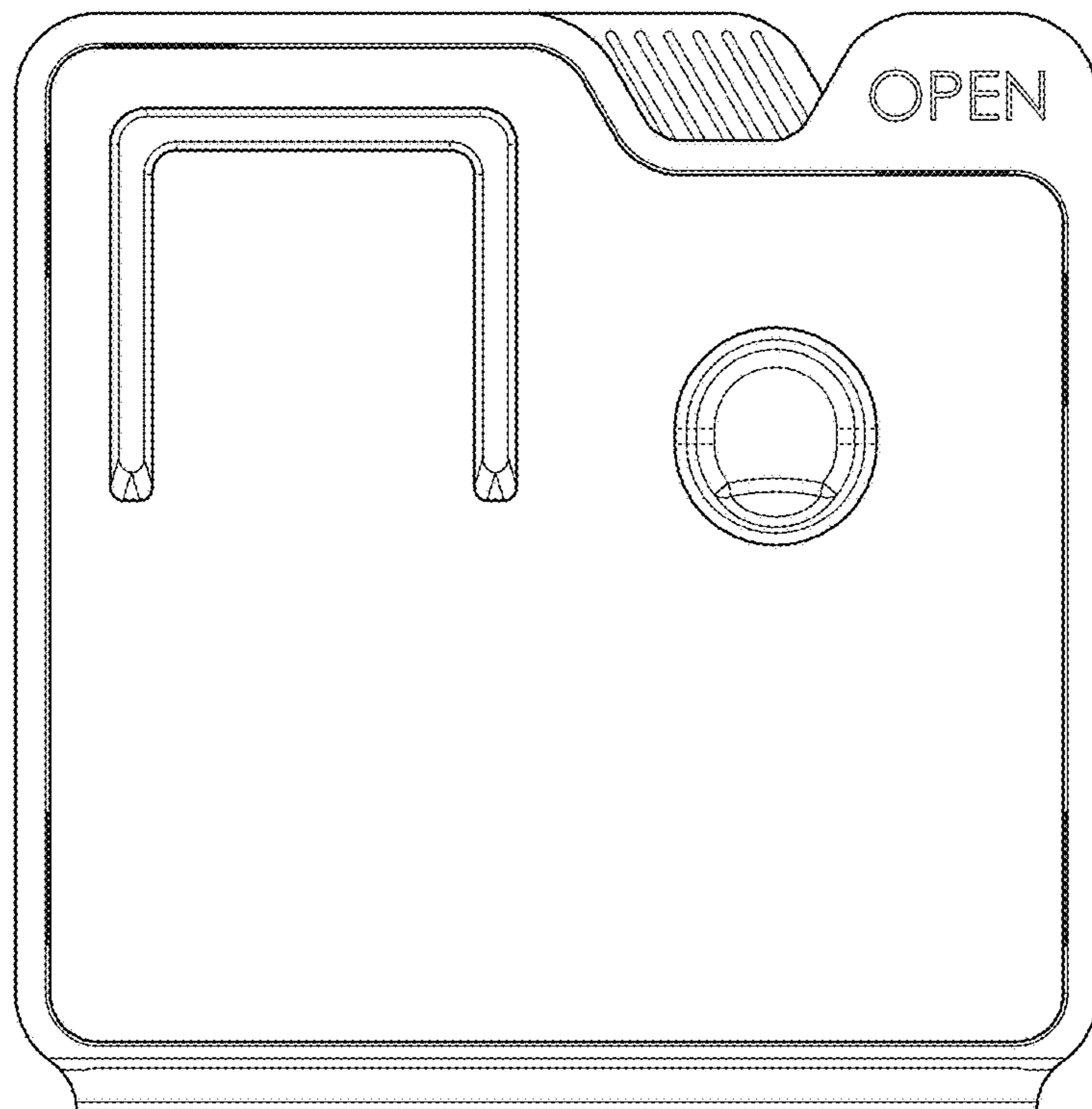


FIG. 2

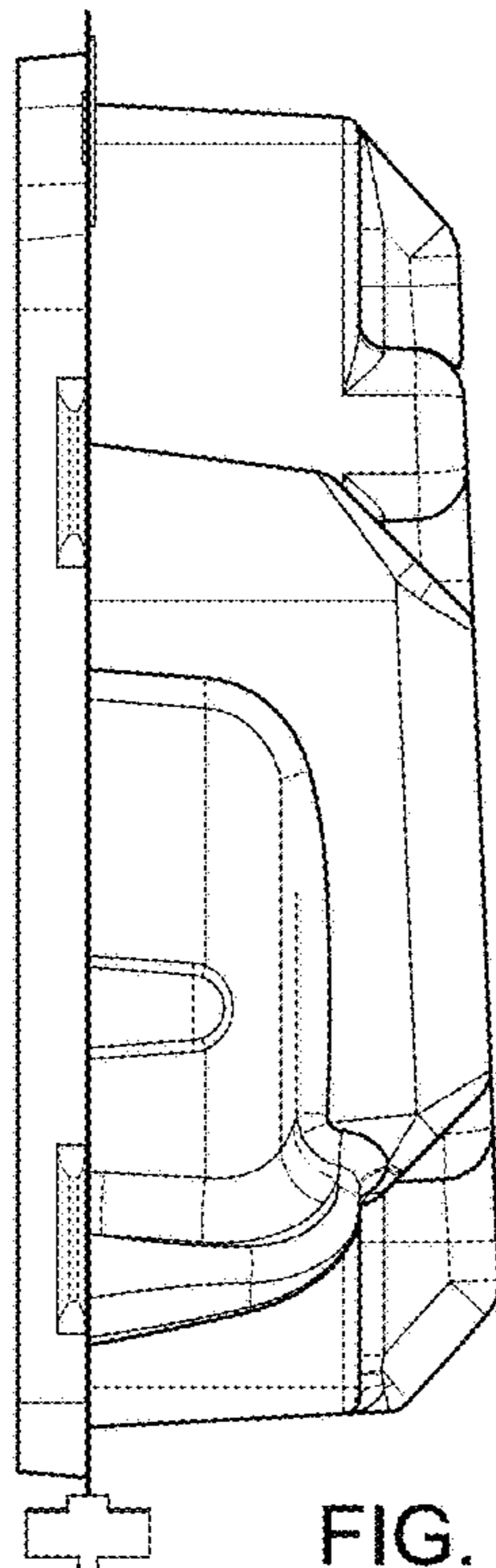


FIG. 3

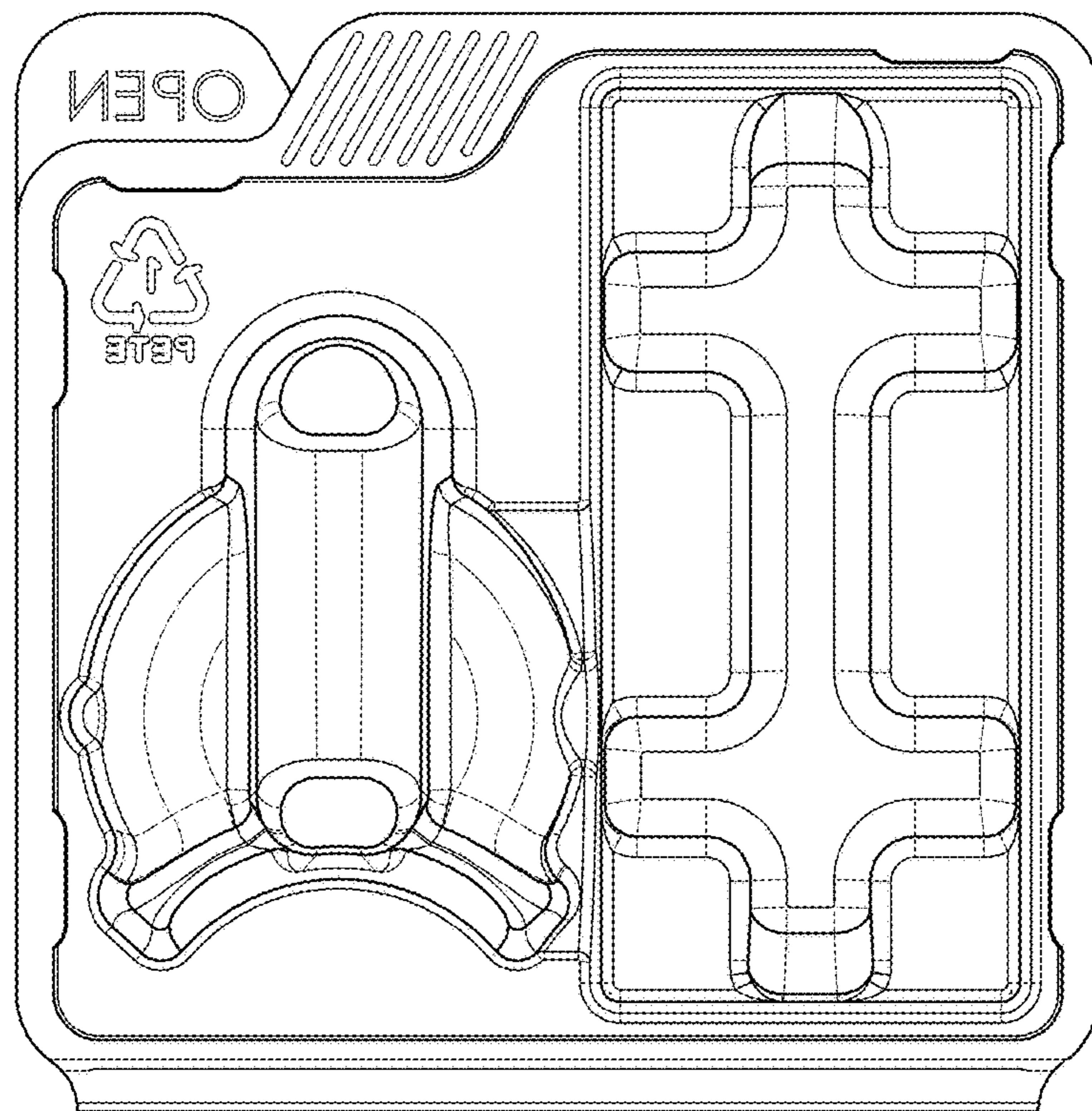


FIG. 4

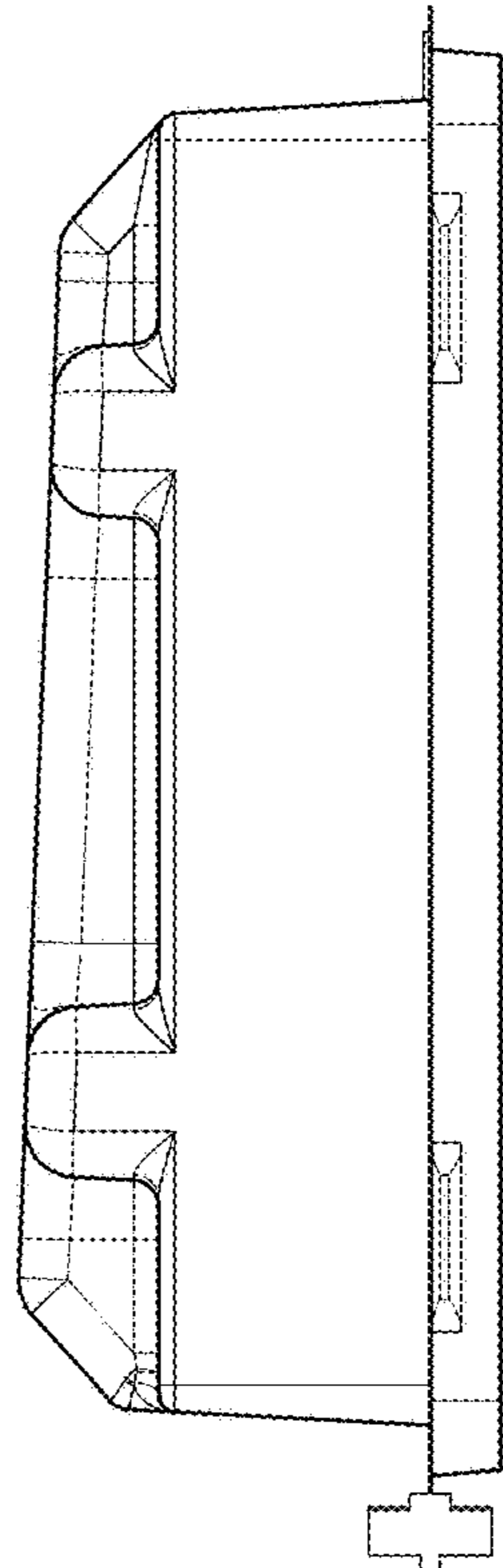


FIG. 5

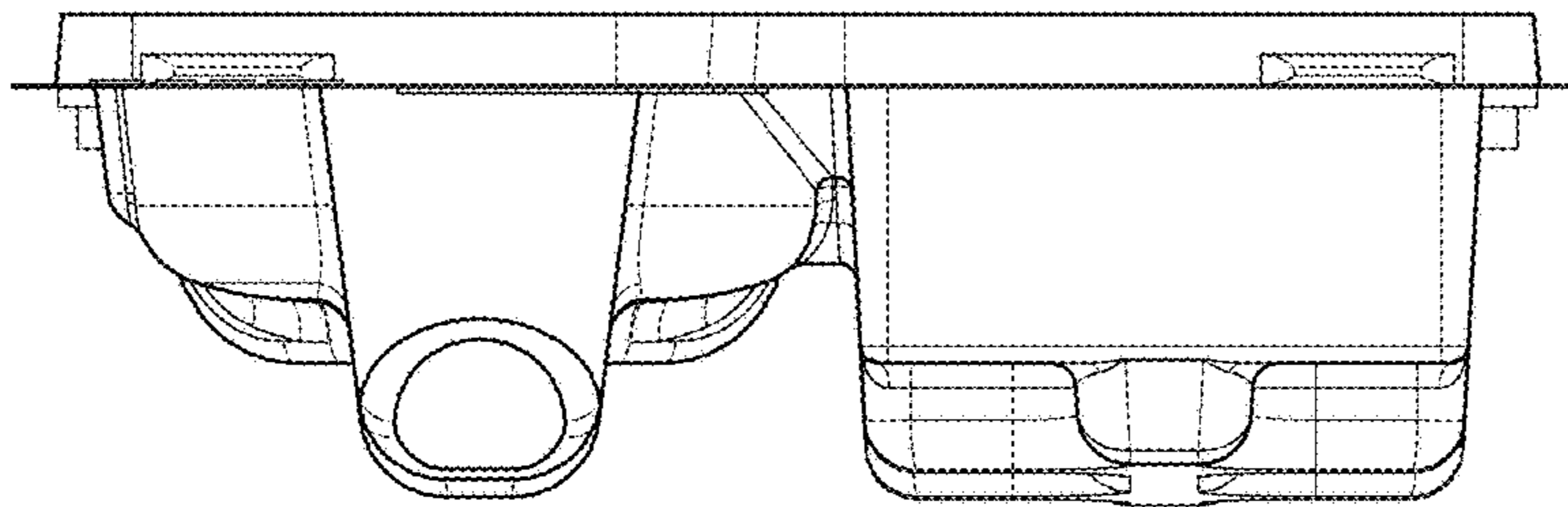


FIG. 6

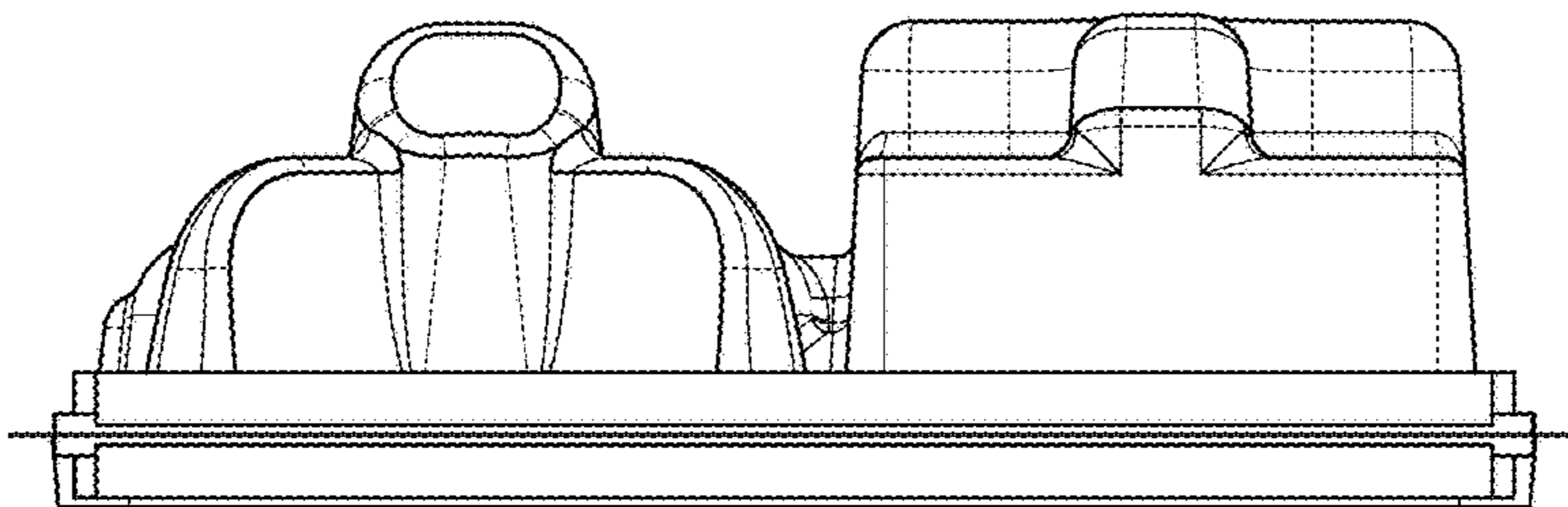


FIG. 7