



US00D830161S

(12) **United States Design Patent** (10) **Patent No.:** **US D830,161 S**
Russo (45) **Date of Patent:** **** Oct. 9, 2018**

(54) **ORIENTATION WASHER**
(71) Applicant: **William P. Russo**, Hartford, WI (US)
(72) Inventor: **William P. Russo**, Hartford, WI (US)
(73) Assignee: **Russo Trading Company, Inc.**,
Menomonee Falls, WI (US)
(**) Term: **15 Years**

5,269,114 A 12/1993 Albers
5,827,028 A * 10/1998 Swick H01R 4/44
411/160
D408,268 S 4/1999 Dunn
6,047,520 A 4/2000 Caraballo
(Continued)

(21) Appl. No.: **29/583,320**

FOREIGN PATENT DOCUMENTS

EP 2549030 A2 1/2013
FR 2678663 A1 1/1993
(Continued)

(22) Filed: **Nov. 4, 2016**

OTHER PUBLICATIONS

(51) **LOC (11) Cl.** **08-08**
(52) **U.S. Cl.**
USPC **D8/399**

Bruno Plast Tile-Laying System, www.brunoplast.de/gambio/index.php, downloaded Jun. 3, 2015, (2) pages.
(Continued)

(58) **Field of Classification Search**
USPC D8/399, 382, 349, 397, 394
CPC F16B 31/028; F16B 39/28; F16B 41/002;
F16B 39/24; E04G 25/065
See application file for complete search history.

Primary Examiner — Cynthia E Underwood
(74) *Attorney, Agent, or Firm* — Klintworth & Rozenblat
IP LLP

(56) **References Cited**

(57) **CLAIM**

U.S. PATENT DOCUMENTS

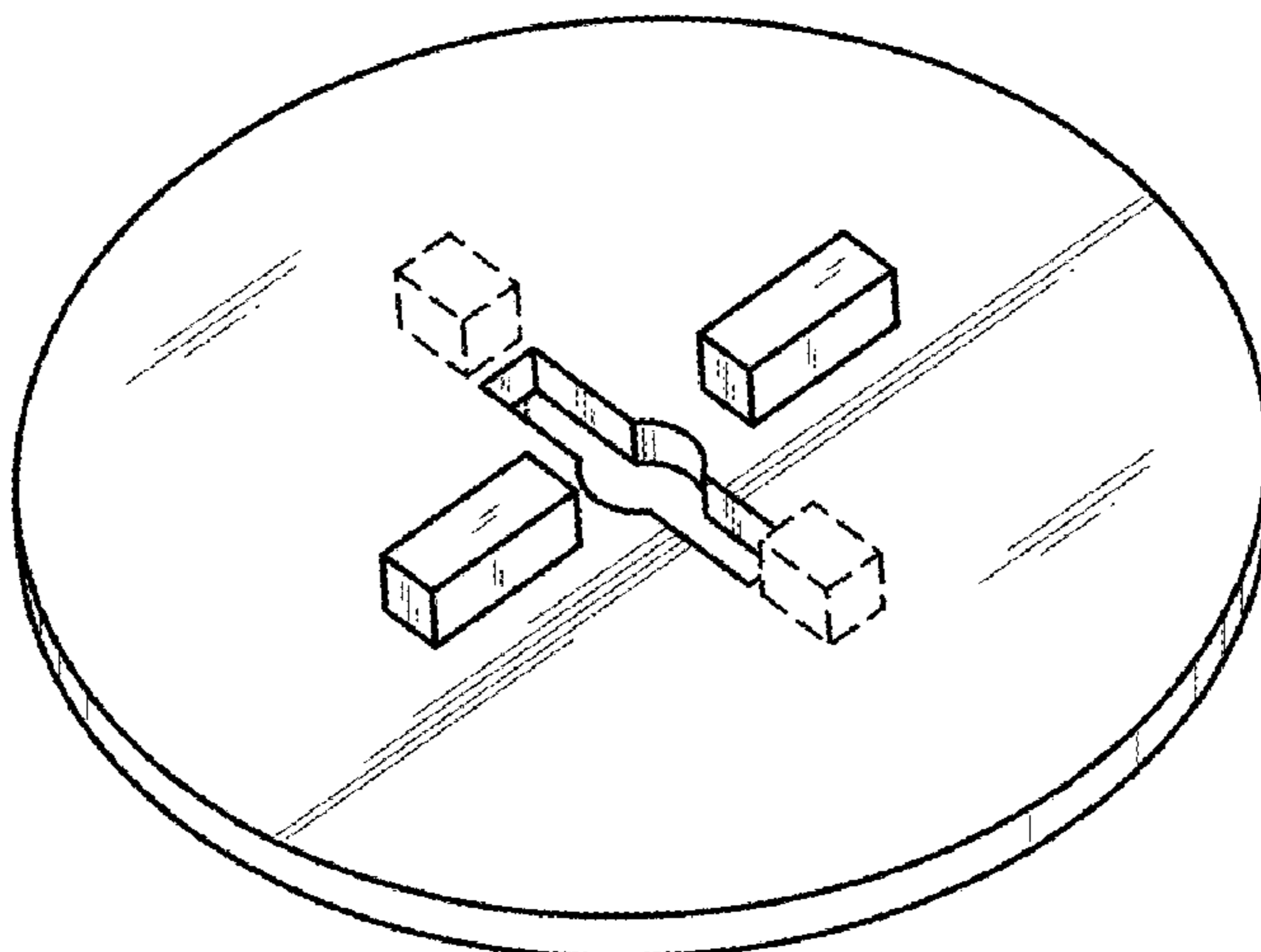
The ornamental design for an orientation washer, as shown and described.

1,635,313 A * 7/1927 Dieterich F16B 39/24
277/640
2,128,844 A 8/1938 Myer
3,552,257 A 1/1971 Tanabe
3,961,453 A 6/1976 Couwenbergs
4,024,683 A 5/1977 Kilian
D269,852 S * 7/1983 Frieberg D8/399
4,397,125 A 8/1983 Gussler, Jr.
D276,310 S * 11/1984 Frieberg D8/399
4,546,580 A 10/1985 Ueno
5,020,953 A * 6/1991 Wada F16B 39/34
411/247
D327,111 S * 6/1992 Hemming D22/134
D332,390 S 1/1993 Adams
D335,441 S * 5/1993 Fraker D8/369
5,211,372 A * 5/1993 Smith, Jr. F01L 25/08
251/129.19

DESCRIPTION

FIG. 1 is a top perspective view of an orientation washer incorporating my new design;
FIG. 2 is a bottom perspective view thereof;
FIG. 3 is a top plan view thereof;
FIG. 4 is a rear view thereof;
FIG. 5 is a bottom plan view thereof;
FIG. 6 is a left side view thereof;
FIG. 7 is a front or rear view thereof; and,
FIG. 8 is a top perspective view thereof shown in an environment of use with an unclaimed threaded cap and threaded post.

1 Claim, 5 Drawing Sheets



(56)

References Cited

U.S. PATENT DOCUMENTS

6,056,519 A * 5/2000 Morita F04B 35/045
267/161

D460,571 S 7/2002 Schimmelpfennig

6,612,082 B2 9/2003 Schimmelpfennig

D491,443 S 6/2004 Lowery

D528,407 S * 9/2006 Schwab D8/399

7,257,926 B1 8/2007 Kirby

D554,491 S * 11/2007 Stenberg D8/349

7,367,786 B2 * 5/2008 Kang F04B 35/045
417/417

7,472,522 B2 1/2009 Yang

D589,327 S 3/2009 Carnevali

D590,696 S 4/2009 Carnevali

7,603,825 B2 10/2009 Dohren

7,621,100 B2 11/2009 Kufner

D609,552 S * 2/2010 Anderson D8/349

7,818,923 B2 10/2010 Alvarez

7,861,487 B2 1/2011 Kufner

7,874,113 B2 1/2011 Eberle, III

7,946,093 B1 5/2011 Sturino

7,954,300 B1 6/2011 Kufner

7,992,354 B2 8/2011 Dada, Jr.

D645,337 S * 9/2011 Hsu D8/399

8,079,199 B1 12/2011 Kufner

D654,348 S * 2/2012 Musselman D8/349

8,181,420 B2 5/2012 Torrents I Comas

D664,170 S * 7/2012 Chung D15/144

8,336,279 B2 12/2012 Kufner

D678,039 S 3/2013 Psaila

D692,747 S * 11/2013 Schwab D8/399

8,635,815 B2 1/2014 Bordin

8,671,628 B2 3/2014 Sighinolfi

D703,034 S * 4/2014 Stewart D8/399

8,689,522 B2 4/2014 Hoffman

8,845,202 B2 * 9/2014 Teimel F16C 25/083
384/517

8,950,079 B2 2/2015 Hillebrandt

8,960,655 B2 * 2/2015 Wood F16F 1/027
267/159

D735,557 S 8/2015 Leshem

9,127,466 B2 9/2015 Hinkle

D742,719 S 11/2015 Komura

9,228,363 B2 1/2016 Kufner

D748,973 S * 2/2016 Rodenhouse D8/399

D749,941 S * 2/2016 Rodenhouse D8/399

9,279,259 B1 3/2016 Russo

9,322,185 B1 4/2016 Russo

9,328,522 B2 5/2016 Bordin

D762,458 S 8/2016 Horne

9,470,002 B2 10/2016 Irvine

D775,935 S 1/2017 Sarajian

D776,519 S * 1/2017 Almaghlouth D8/399

D778,709 S 2/2017 Russo

D783,393 S * 4/2017 Weifenbach D8/399

9,657,485 B2 5/2017 Meyers

D795,685 S * 8/2017 Rodenhouse D8/399

D812,109 S * 3/2018 Cross D15/28

D817,753 S * 5/2018 Pedley D8/399

2002/0089106 A1 * 7/2002 Horng H02K 5/167
267/161

2009/0126213 A1 5/2009 Tavy

2009/0288357 A1 11/2009 Kubicek

2009/0313927 A1 12/2009 Myers, Jr.

2013/0067854 A1 3/2013 Bordin

2014/0008557 A1 * 1/2014 Vandamme F16F 1/027
251/129.15

2014/0325936 A1 11/2014 PSaila

2015/0211243 A1 7/2015 Irvine

2015/0267420 A1 9/2015 Fontana

2016/0102724 A1 * 4/2016 Potter F16F 1/027
267/161

2016/0369518 A1 12/2016 Sarajian

FOREIGN PATENT DOCUMENTS

JP 2013204318 A 10/2013

WO 2014022889 A1 2/2014

OTHER PUBLICATIONS

www.flooringsupplyshop.com/tool-1_09/proleveling-system-609/proleveling-u_niversal-rotating-pom_mel-50-618.html, downloaded, Jun. 3, 2015 (3) pages.

Tuscan SeamClip Leveling System, www.tuscanleveling.com/Products/Seamclip/seamclip.html, downloaded Jun. 3, 2015, (3) pages.

RTC Tornado Leveling System, www.rtcproducts.com/us/tornado-tile-leveling-system/, downloaded Jun. 3, 2015, (4) pages.

Raimondi RLS Title Leveling Spacers System, www.flooringsupplyshop.com/blog/cool-tools/raimondi-rls-tile-leveling-spacers-system/, downloaded Jun. 3, 2015, (11) pages.

* cited by examiner

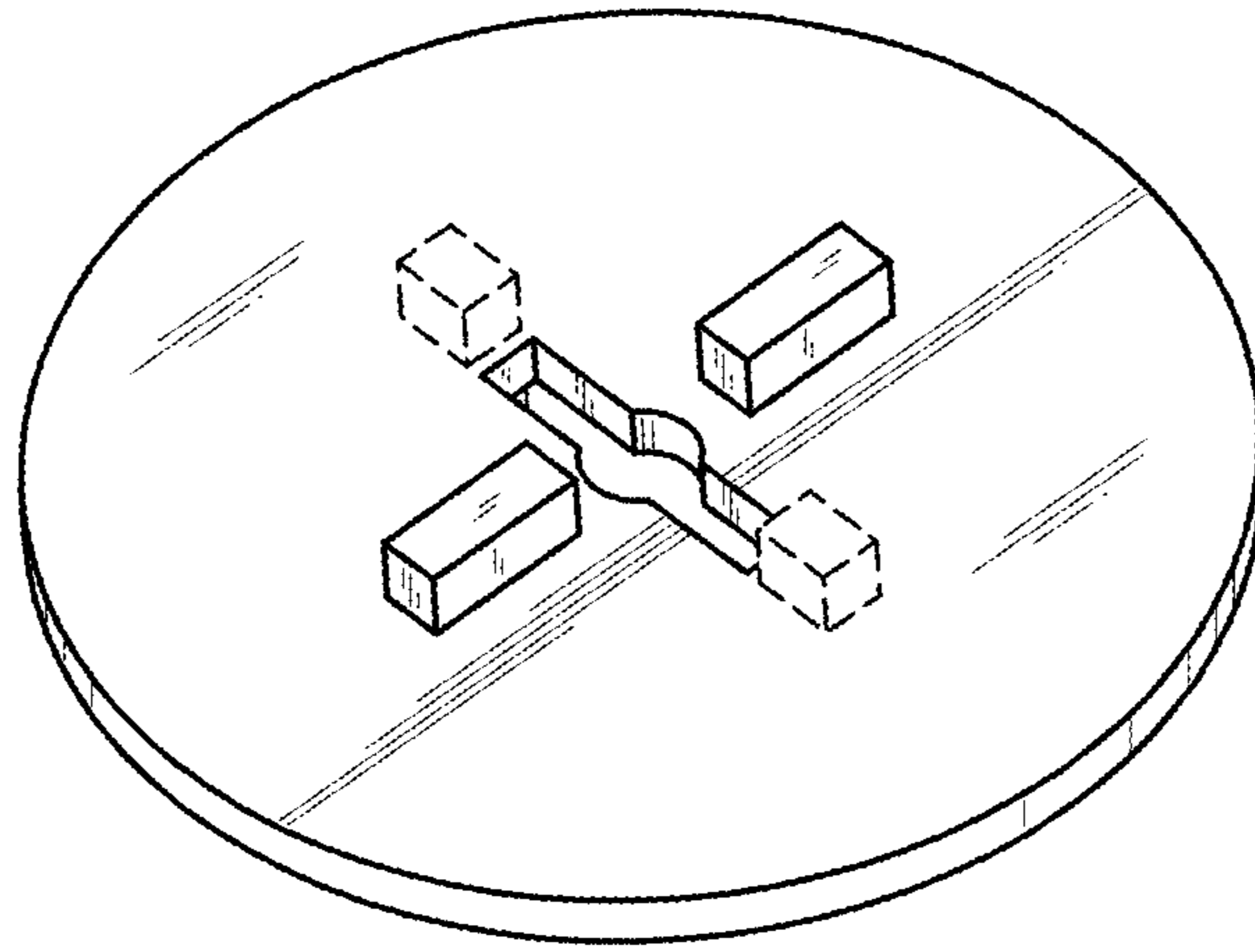


FIG. 1

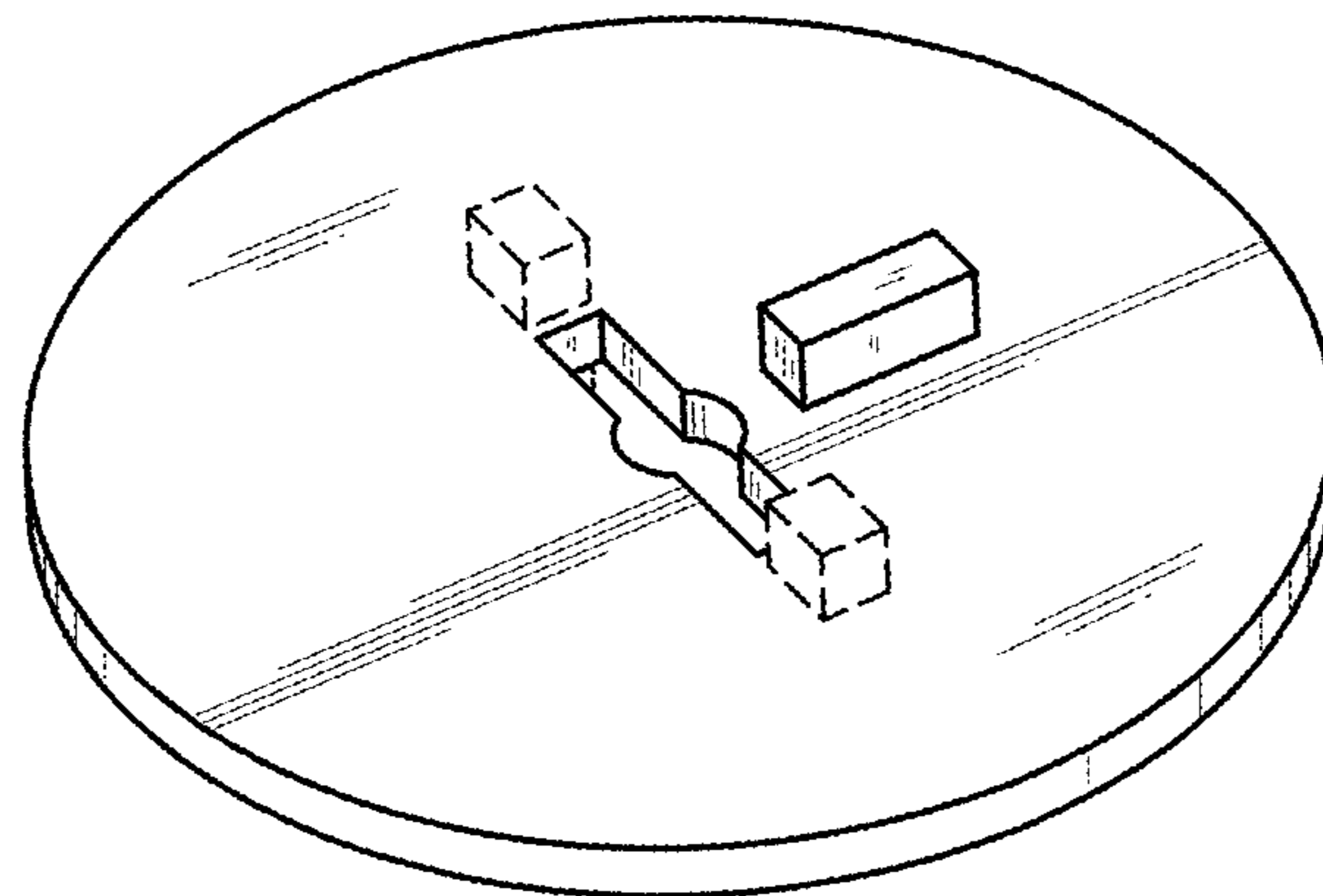


FIG. 2

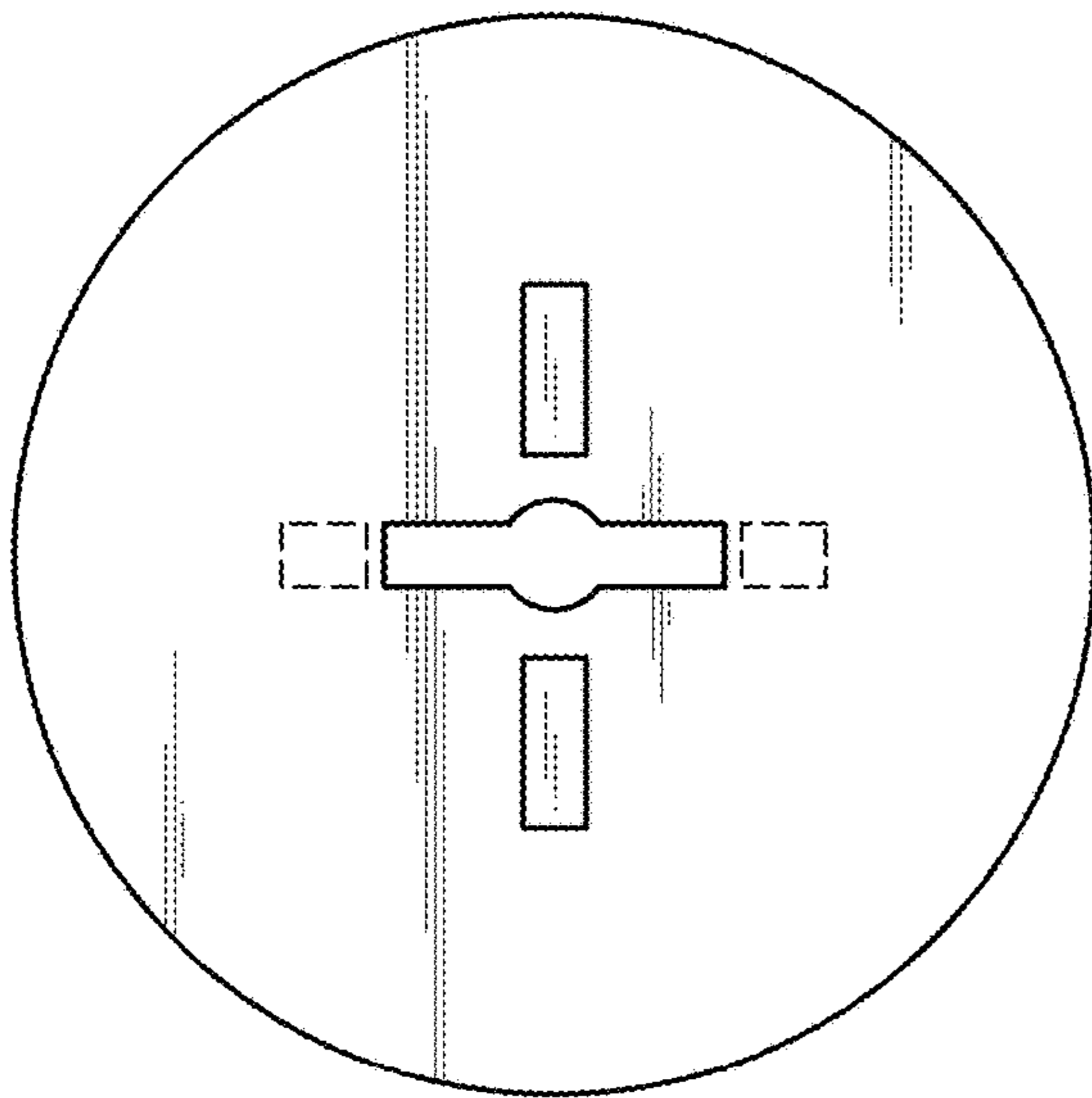


FIG. 3

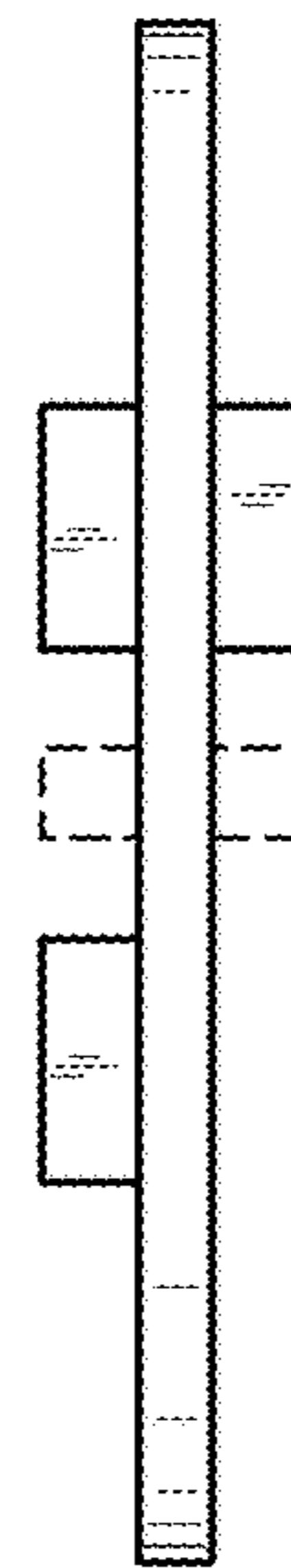


FIG. 4

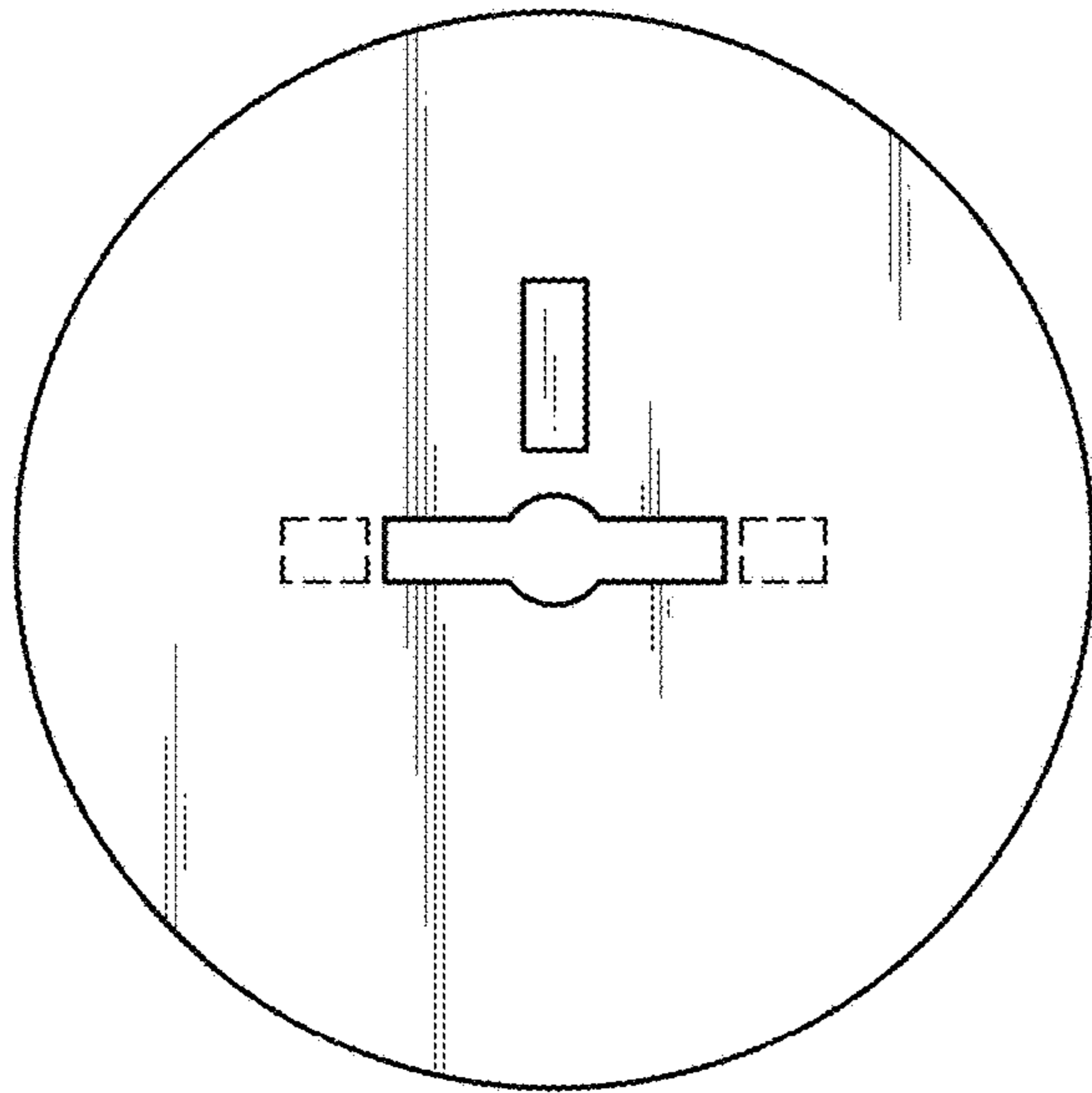


FIG. 5

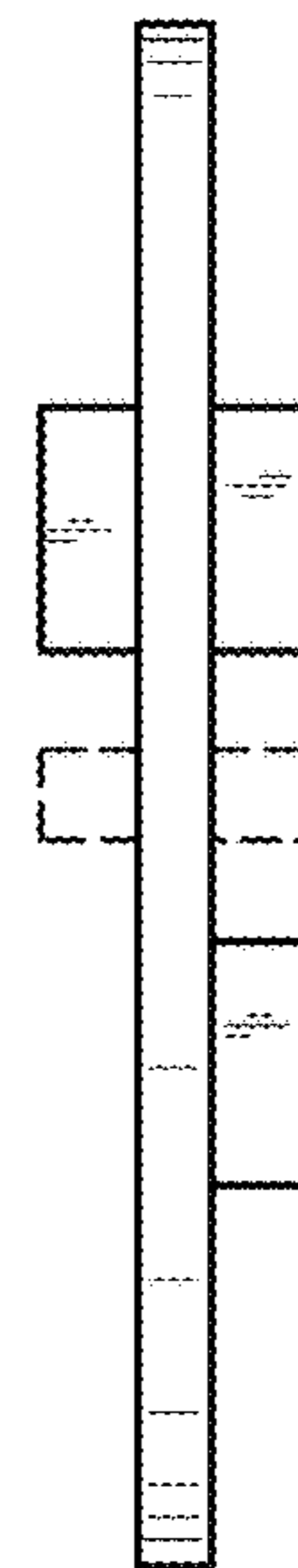


FIG. 6

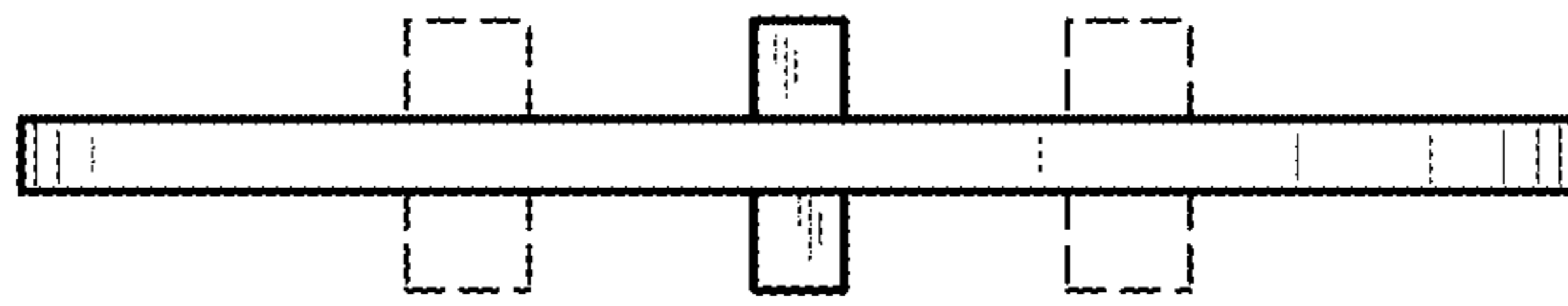


FIG. 7

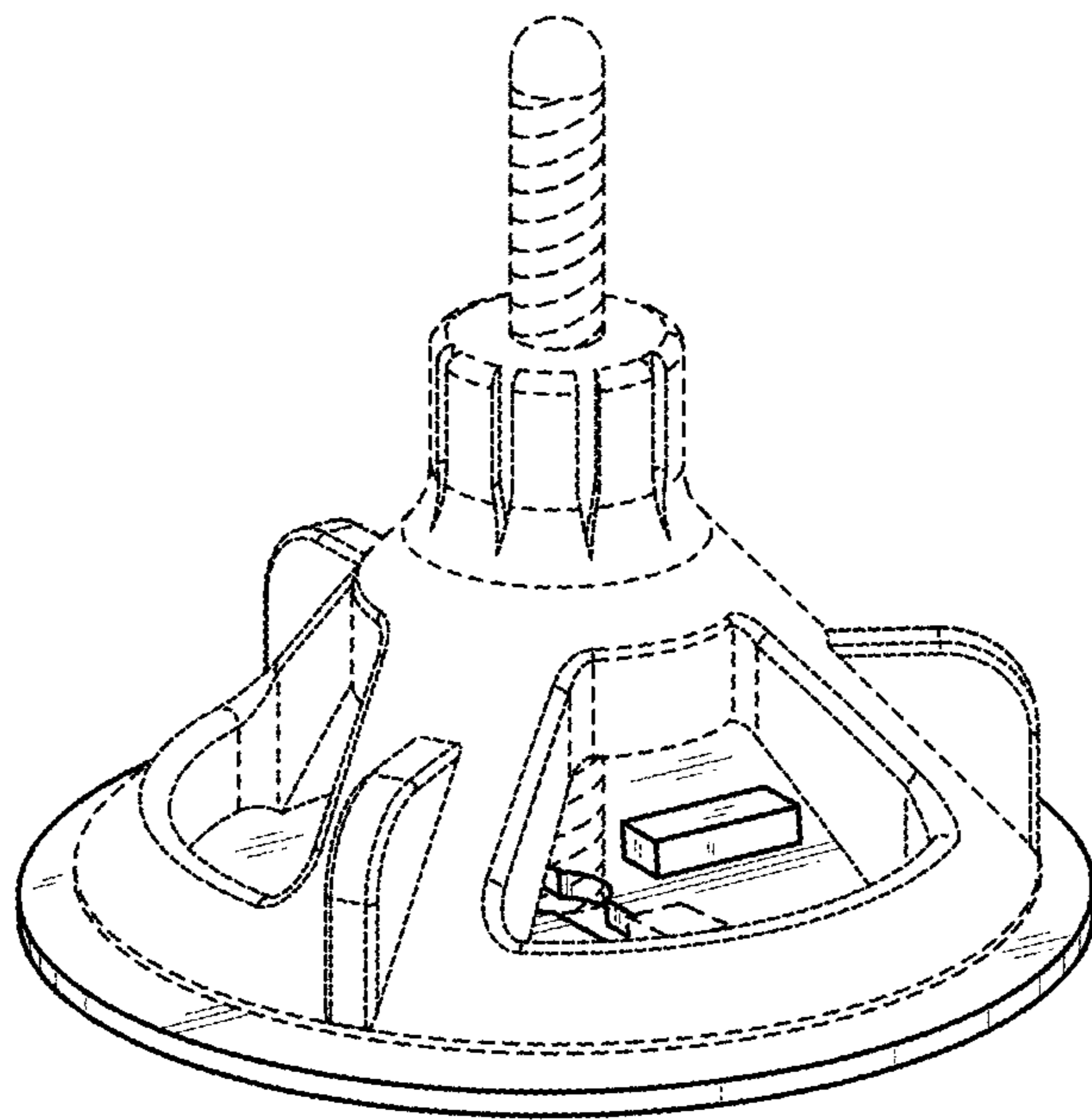


FIG. 8