



US00D830158S

(12) **United States Design Patent** (10) **Patent No.:** **US D830,158 S**  
**Klein** (45) **Date of Patent:** **\*\* Oct. 9, 2018**

(54) **ANTI-ROTATION ARM FOR A ROLL-UP WALL SYSTEM**

(71) Applicant: **Joel Klein**, Brooklyn, NY (US)

(72) Inventor: **Joel Klein**, Brooklyn, NY (US)

(\*\*) Term: **15 Years**

(21) Appl. No.: **29/601,887**

(22) Filed: **Apr. 26, 2017**

(51) **LOC (11) Cl.** ..... **08-05**

(52) **U.S. Cl.**  
USPC ..... **D8/380**

(58) **Field of Classification Search**  
USPC ..... D8/353, 356, 363, 366, 371, 373, 380,  
D8/381; D13/154; D14/140.6, 452;  
D24/127, 128, 234; D25/119, 120, 121  
CPC ..... A47B 87/00; A47B 96/02; A47B 96/06;  
A47B 57/06; A47B 87/005; A47B 57/34;  
A47B 96/021; A47B 96/061; B63B  
22/00; F16B 37/02; F21V 21/02; F21S  
8/00; G10K 1/26; G10K 1/28; G10K  
9/22; H02G 1/00

See application file for complete search history.

(56) **References Cited**

U.S. PATENT DOCUMENTS

- 2,831,222 A \* 4/1958 Anderson ..... E04F 13/0826  
52/489.1
- D297,111 S \* 8/1988 Thompson ..... D8/373
- D431,770 S \* 10/2000 Willet ..... D8/354
- D434,304 S \* 11/2000 Willett ..... D8/354
- D439,137 S \* 3/2001 Ausilio ..... D8/354
- D530,187 S \* 10/2006 Esbaugh ..... D8/354
- D533,547 S \* 12/2006 Sergi ..... D14/238
- D534,904 S \* 1/2007 Crawford ..... D14/238
- D542,628 S \* 5/2007 Brassard ..... D8/354
- D559,083 S \* 1/2008 Brassard ..... D8/354

- D566,648 S \* 4/2008 Lee ..... B62J 11/00  
D12/415
- D571,188 S \* 6/2008 Brassard ..... D8/354
- D575,220 S \* 8/2008 Pockalny ..... D12/223
- D597,086 S \* 7/2009 Sergi ..... D14/238
- D698,465 S \* 1/2014 Bill ..... D25/119

(Continued)

OTHER PUBLICATIONS

Hawaii State Safety Check License Plate Bracket Vertical Mount, posted Oct. 22, 2015, [retrieved May 16, 2018]. Retrieved from Internet, <URL: <https://www.amazon.com/Hawaii-Safety-License-Bracket-Vertical/dp/B0172EX4TU> >.\*

(Continued)

*Primary Examiner* — Barbara Fox

*Assistant Examiner* — Kristin E Reed

(74) *Attorney, Agent, or Firm* — Law Office of Arthur M. Antonelli, PLLC

(57) **CLAIM**

The ornamental design for an anti-rotation arm for a roll-up wall system, as shown and described.

**DESCRIPTION**

FIG. 1 is a top, front, left side perspective view of an anti-rotation arm for a roll-up wall system in accordance with my new design;

FIG. 2 is a bottom, front, right side perspective view of the anti-rotation arm of FIG. 1;

FIG. 3 is a left side view of the anti-rotation arm of FIG. 1;

FIG. 4 is a right side view of the anti-rotation arm of FIG. 1;

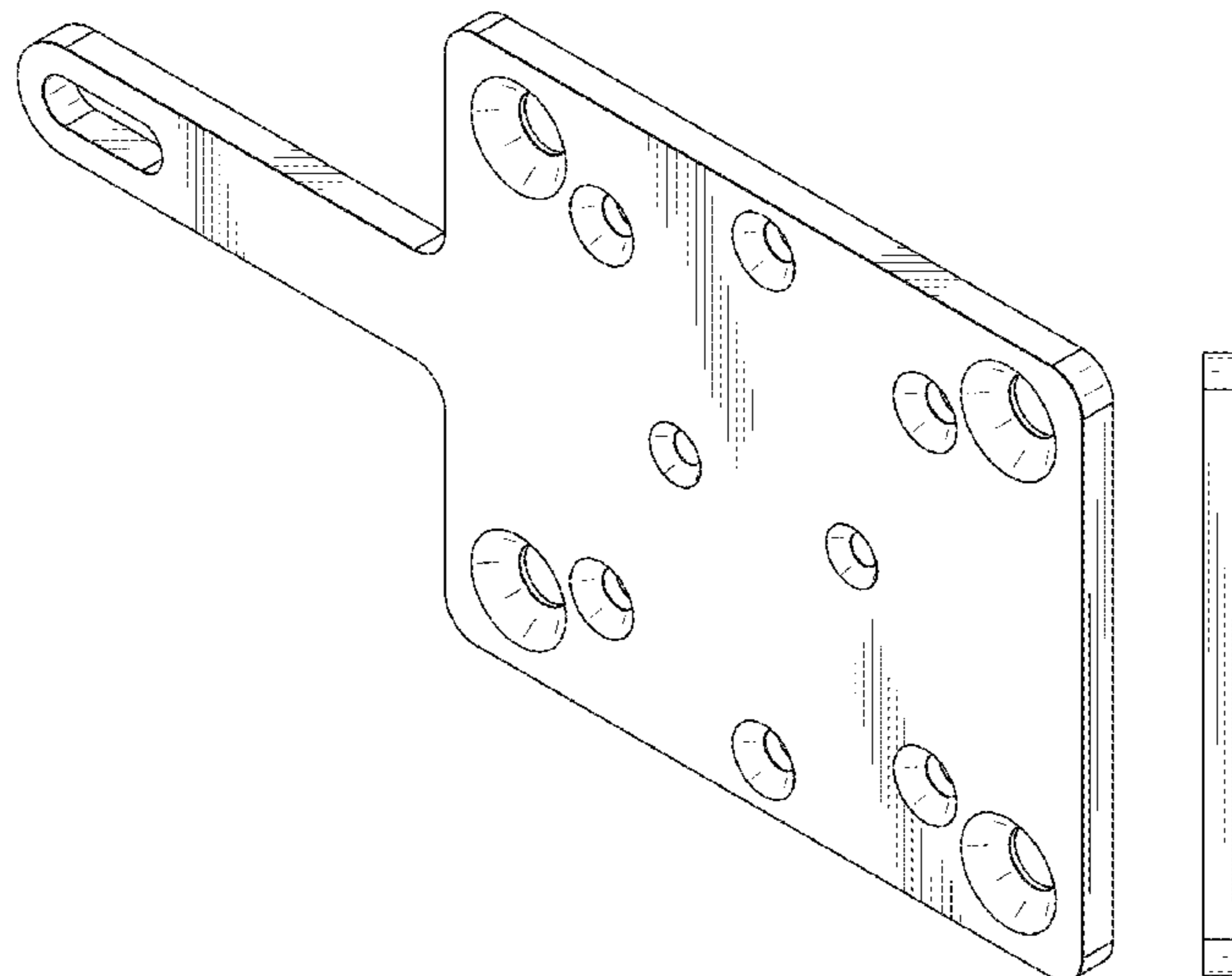
FIG. 5 is a front view of the anti-rotation arm of FIG. 1;

FIG. 6 is a rear view of the anti-rotation arm of FIG. 1;

FIG. 7 is a top view of the anti-rotation arm of FIG. 1; and,

FIG. 8 is a bottom view of the anti-rotation arm of FIG. 1.

**1 Claim, 3 Drawing Sheets**



(56)

**References Cited**

U.S. PATENT DOCUMENTS

9,458,974 B2 \* 10/2016 Townsend, Jr. .... F16M 13/022

OTHER PUBLICATIONS

Biltwell Solution License Plate Bracket—Vertical—Black—with Light Mount, posted unknown, [retrieved May 16, 2018]. Retrieved from Internet, <URL: <https://www.lowbrowcustoms.com/biltwell-inc-solution-bracket-vertical-black.html> >.\*

Base Plate in Carbon Fibre Laminate, posted unknown, [retrieved May 16, 2018]. Retrieved from Internet, <URL: <https://www.meditron.ch/patient-immobilization/index.php/hikashop-menu-for-categories-listing/product/41-base-plate-in-carbon-fibre-laminate> >.\*

\* cited by examiner

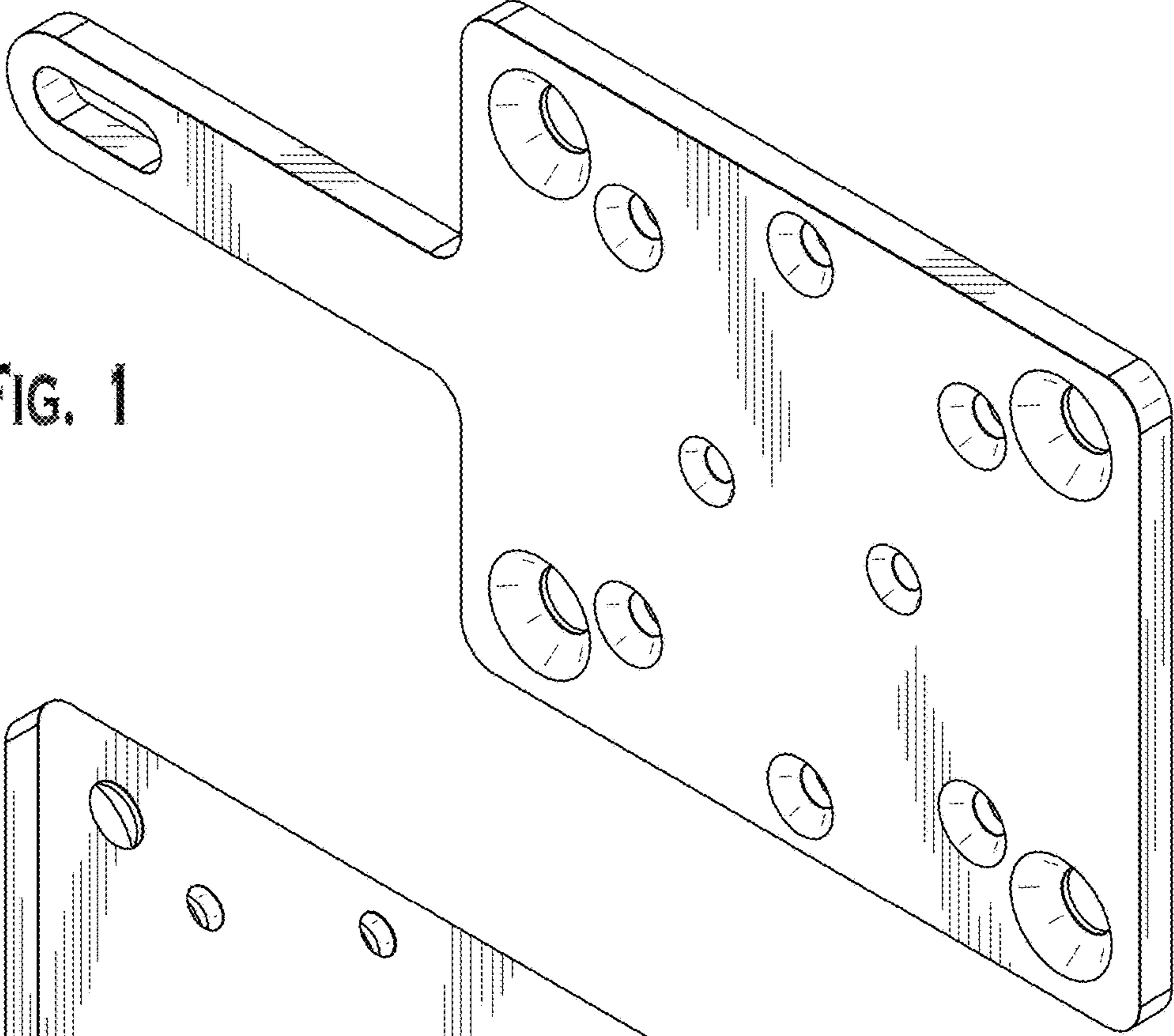


FIG. 1

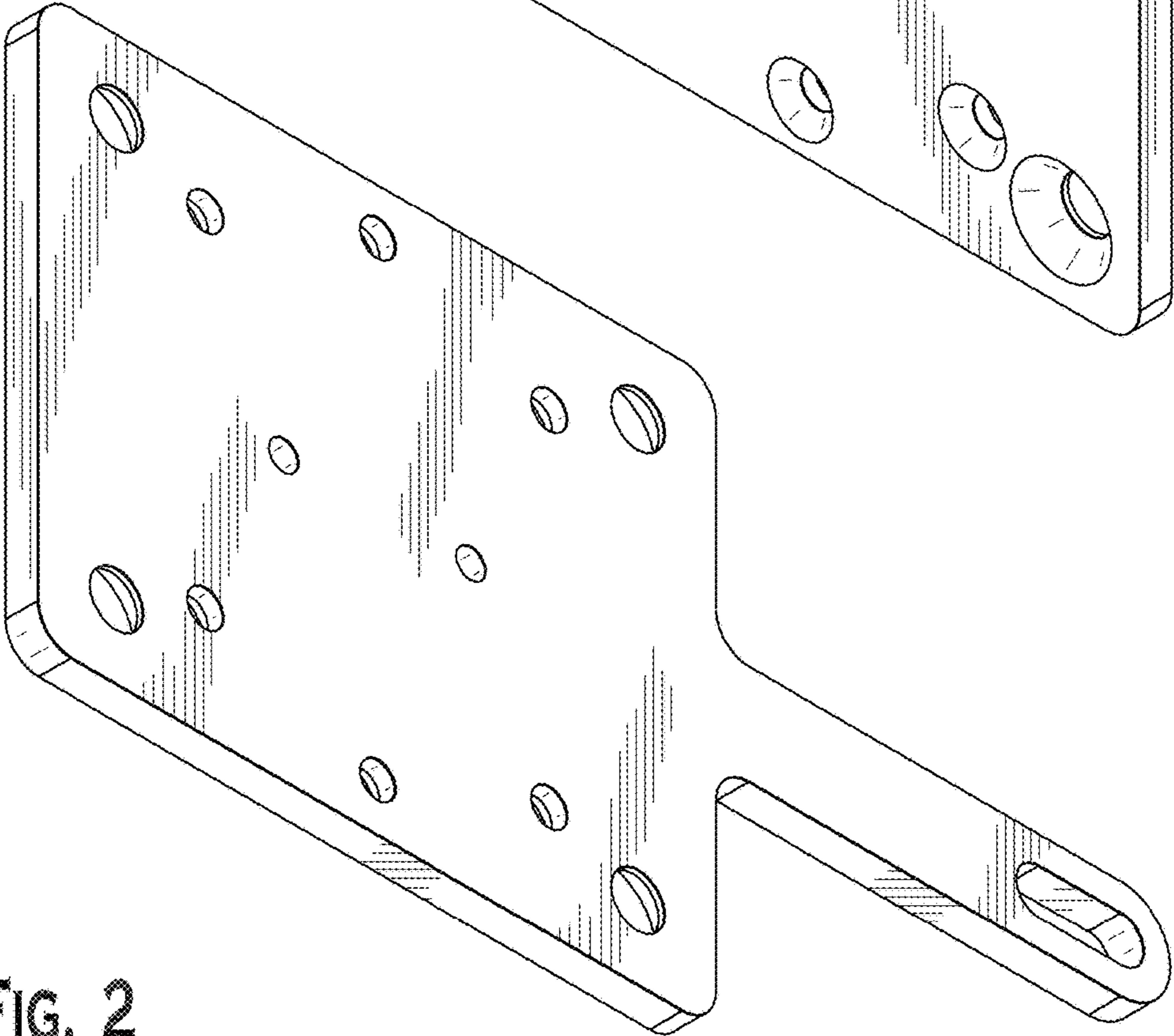


FIG. 2

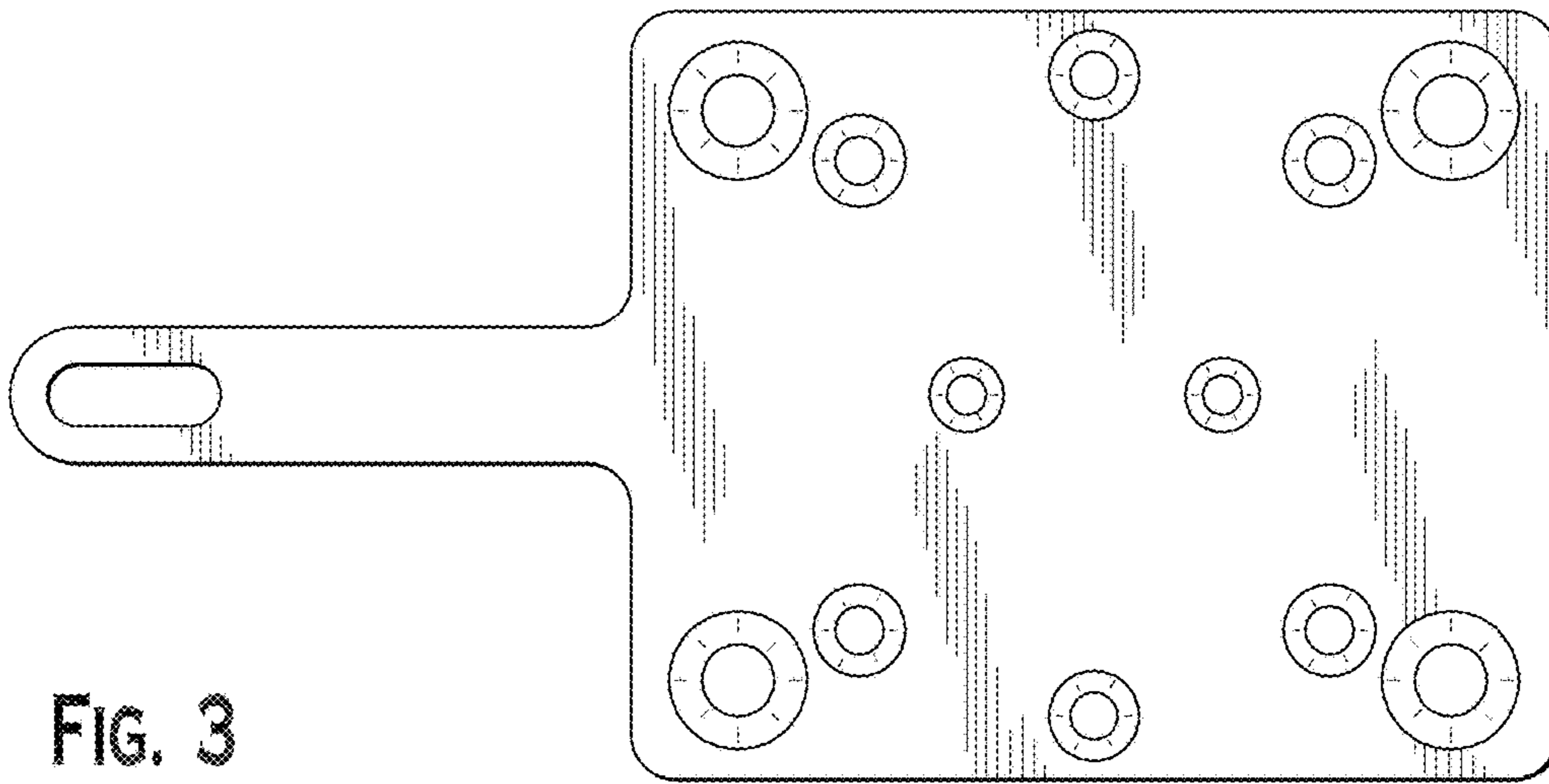


FIG. 3

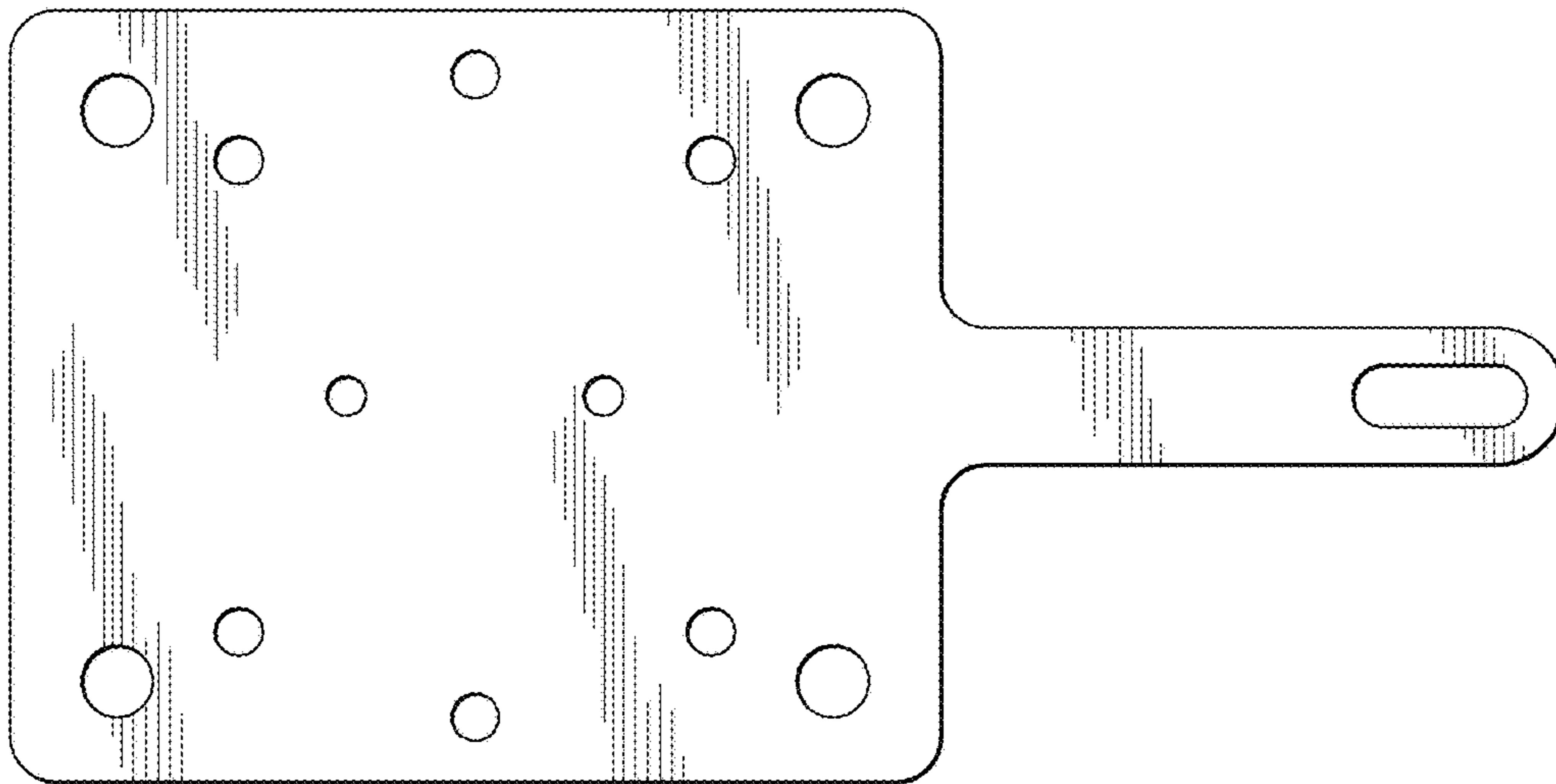


FIG. 4



FIG. 5

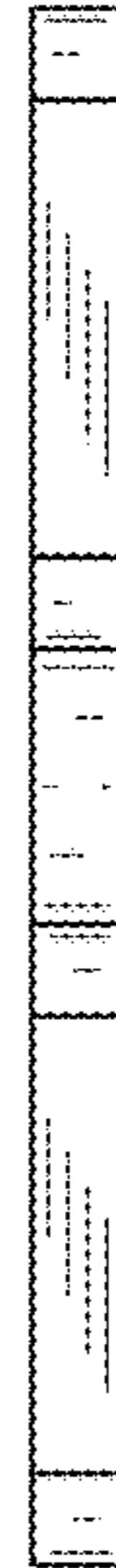


FIG. 6



FIG. 7

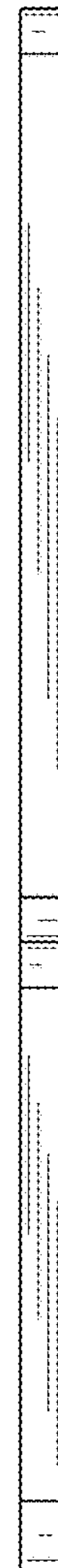


FIG. 8