

US00D830157S

(12) **United States Design Patent**
Kreinbrink

(10) **Patent No.:** **US D830,157 S**

(45) **Date of Patent:** **** Oct. 9, 2018**

(54) **UNDER WATER MOUNTING BRACKET**

(71) Applicant: **MAIN ACCESS**, Avon, OH (US)

(72) Inventor: **Todd Kreinbrink**, Avon, OH (US)

(73) Assignee: **MAIN ACCESS**, Avon, OH (US)

(**) Term: **15 Years**

(21) Appl. No.: **29/587,994**

(22) Filed: **Dec. 16, 2016**

(51) **LOC (11) Cl.** **08-05**

(52) **U.S. Cl.**
USPC **D8/373**

(58) **Field of Classification Search**
USPC D8/355, 363, 366, 367, 371, 372, 373;
D6/323, 324, 327, 328, 524, 526, 531,
D6/534, 538, 553; D26/26, 138
CPC C02F 2201/322; C02F 2201/326; A63B
2207/02; E04H 4/148
See application file for complete search history.

(56) **References Cited**

U.S. PATENT DOCUMENTS

- 5,915,848 A * 6/1999 Deason E04H 4/14
4/496
- D683,207 S * 5/2013 Papadopoulos D8/367
- D740,647 S * 10/2015 DeCosta D16/242
- D751,889 S * 3/2016 Thiltges D8/394
- D756,205 S * 5/2016 New D8/367

- D782,288 S * 3/2017 Cusak D8/367
- 2005/0128731 A1 * 6/2005 Hui E04H 4/14
362/22
- 2005/0204463 A1 * 9/2005 Ryan E04H 4/14
4/496

* cited by examiner

Primary Examiner — Janice C Hallmark

Assistant Examiner — Eliza Z Bennett-Hattan

(74) *Attorney, Agent, or Firm* — Fay Sharpe LLP

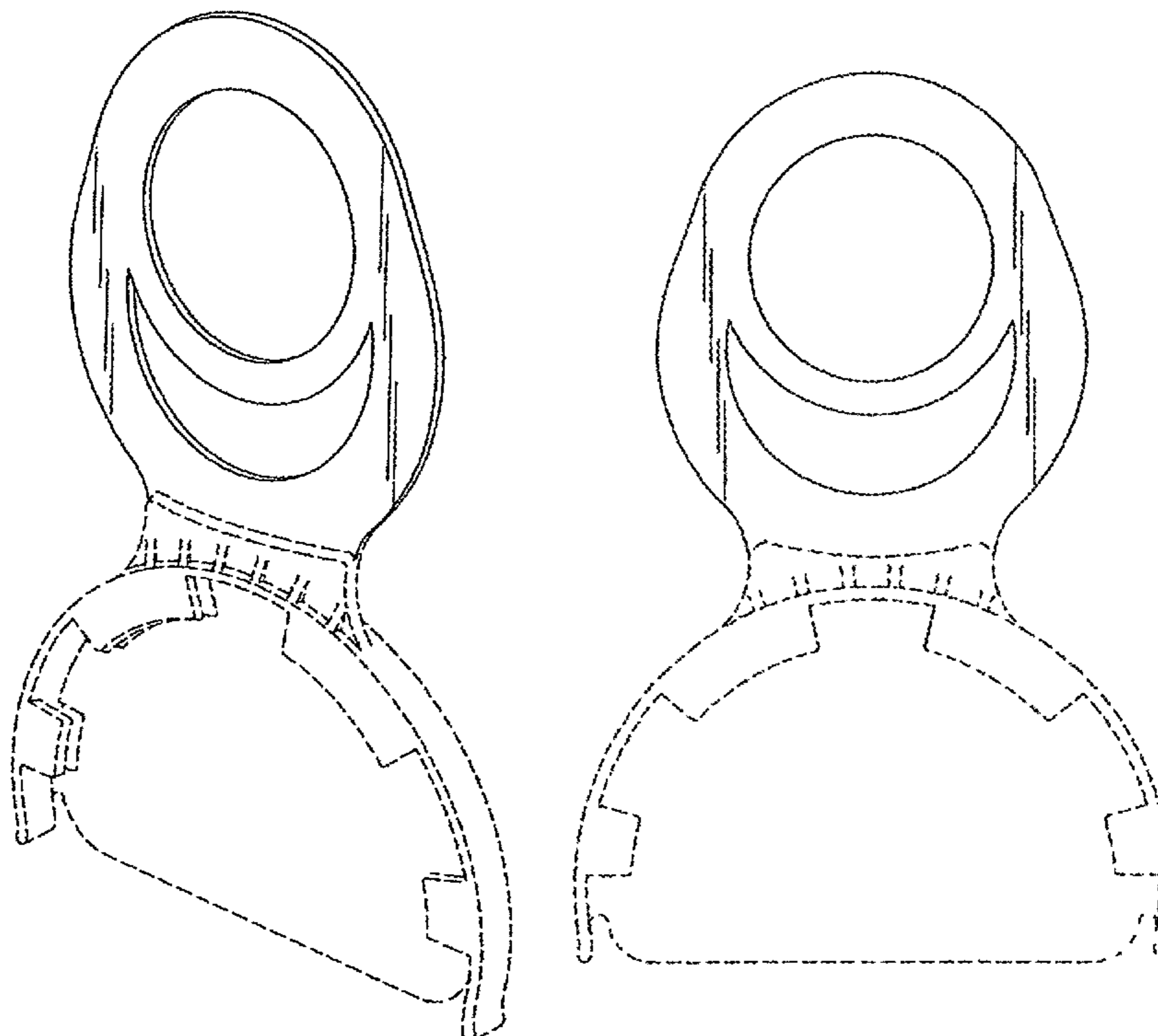
(57) **CLAIM**

The ornamental design for a under water mounting bracket, as shown and described.

DESCRIPTION

FIG. 1 is a perspective view of an under water mounting bracket;
 FIG. 2 is a front plan view thereof;
 FIG. 3 is a top end view thereof;
 FIG. 4 is a bottom end view thereof;
 FIG. 5 is a side plan view thereof which is the same as the other side (not shown); and,
 FIG. 6 is a rear plan view thereof.
 The demarcation indicated by the _..._ line depicts the boundary between claimed and unclaimed environments. All broken lines form no part of the claim.

1 Claim, 3 Drawing Sheets



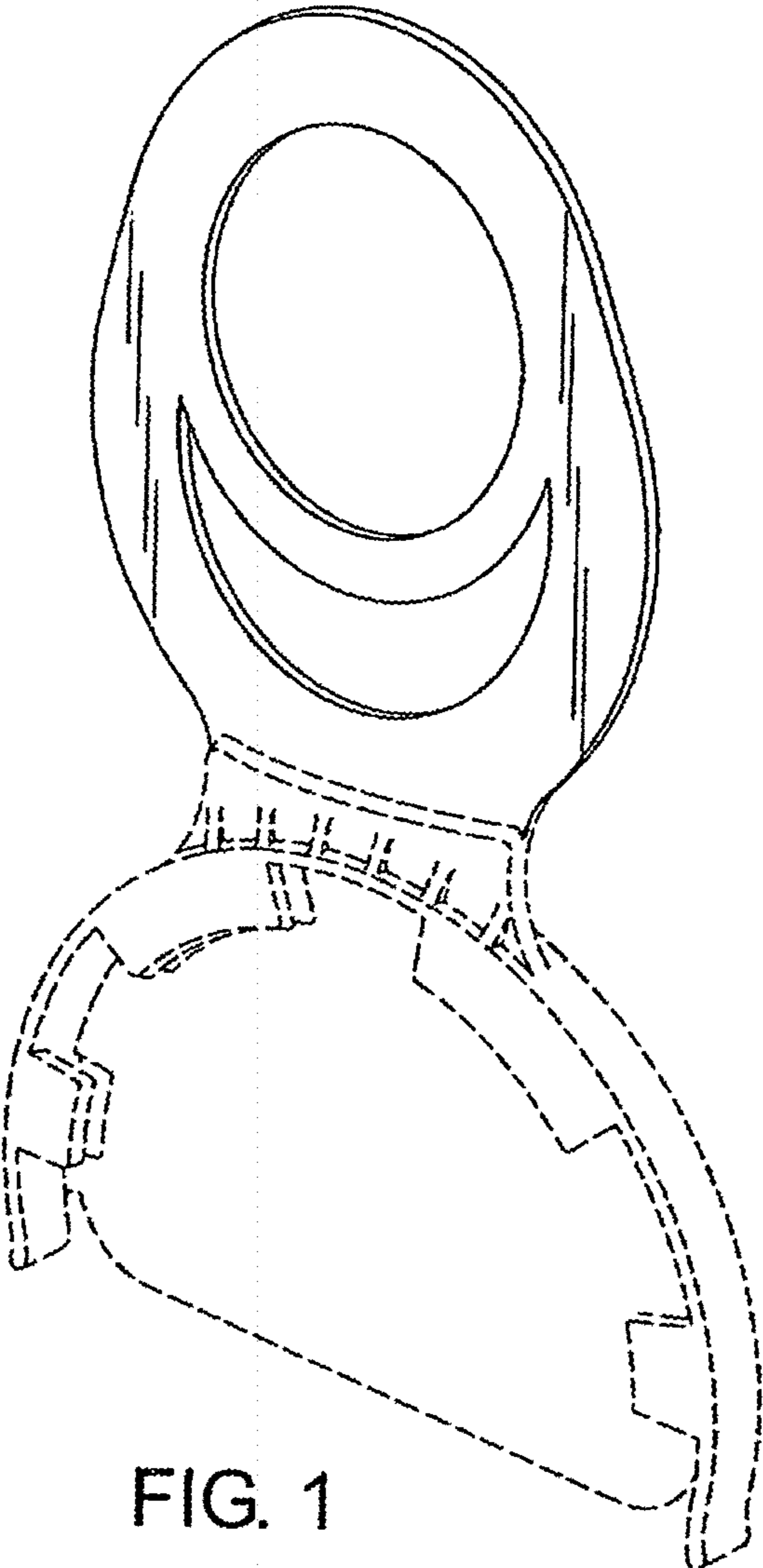


FIG. 1

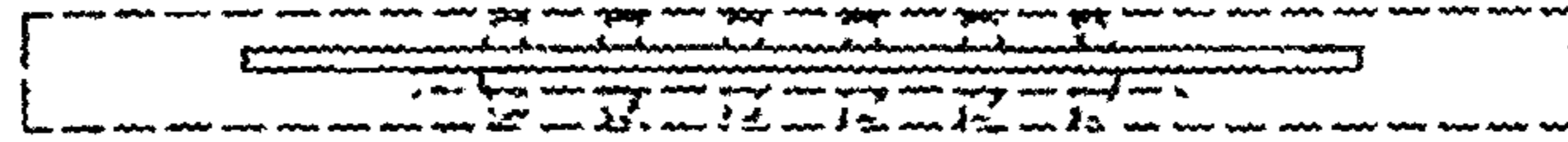


FIG. 3

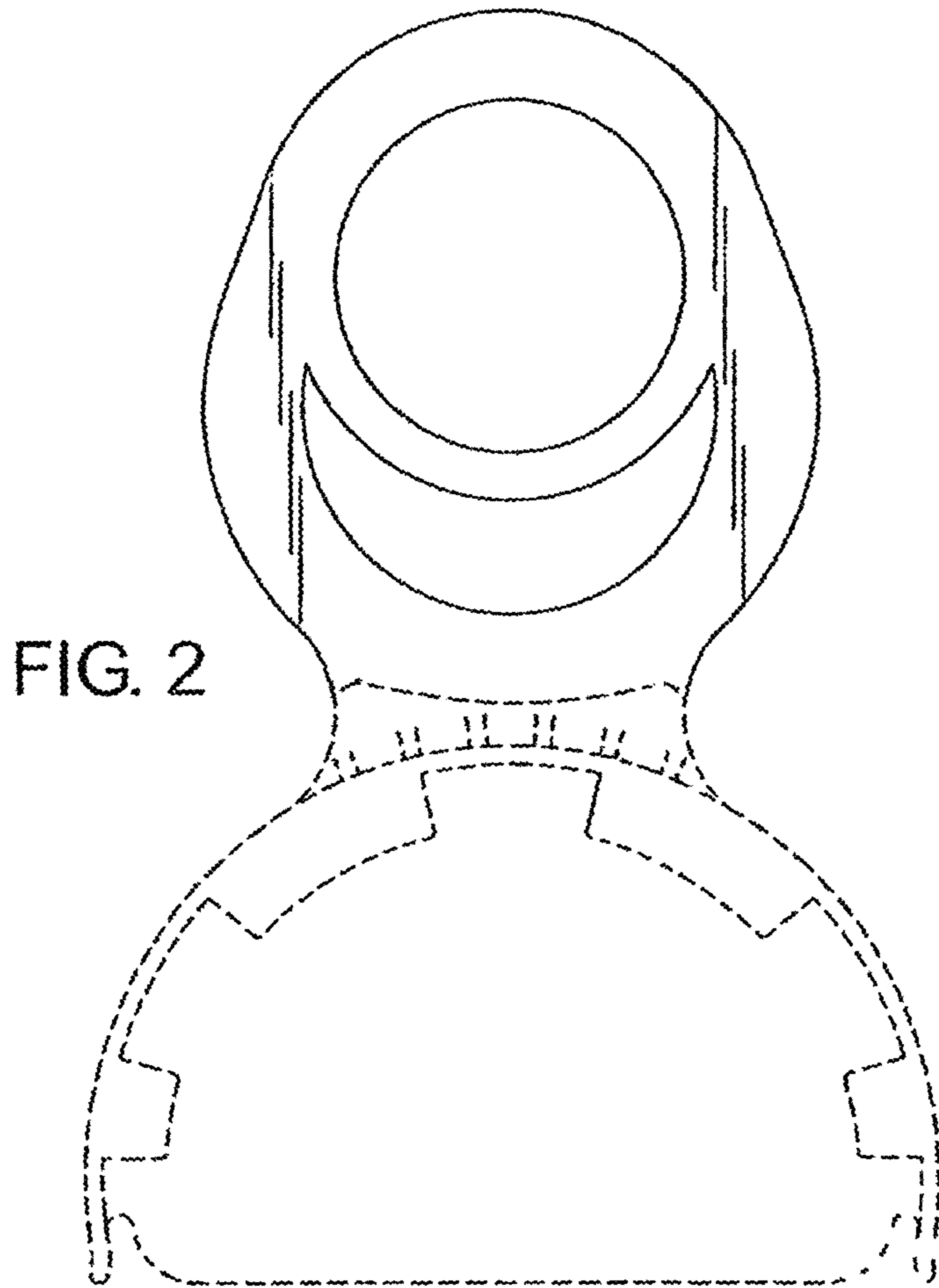


FIG. 2

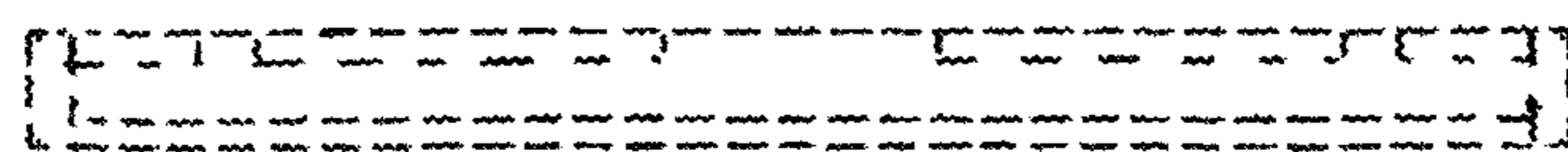


FIG. 4

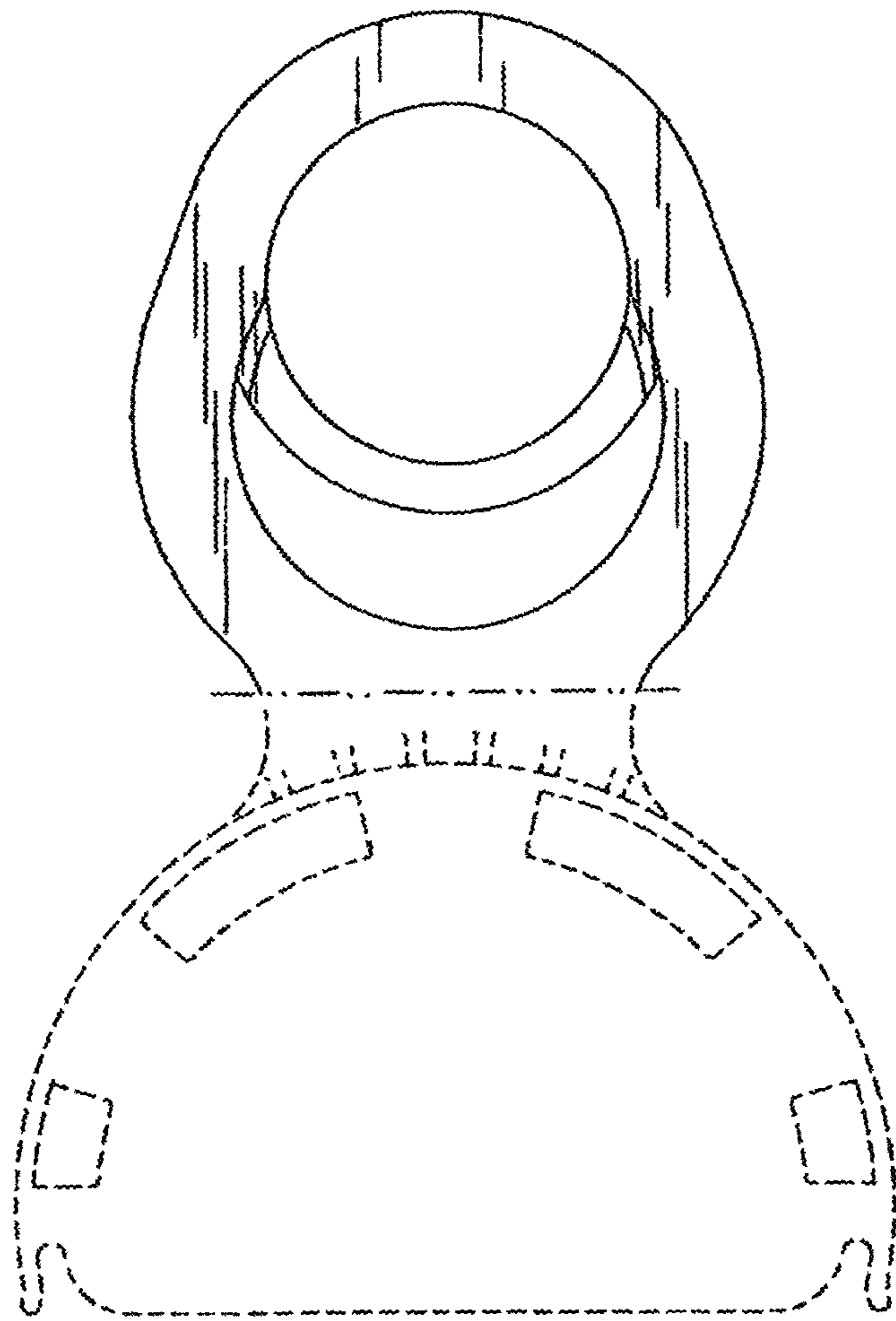


FIG. 6

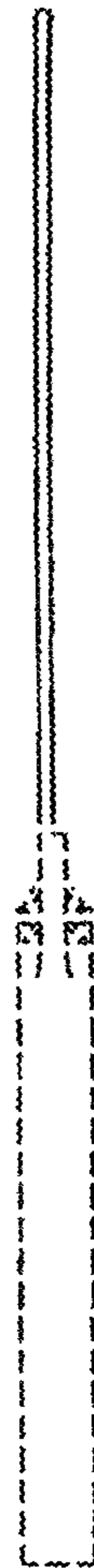


FIG. 5