



US00D830156S

(12) **United States Design Patent** (10) **Patent No.:** **US D830,156 S**  
**Kuhns** (45) **Date of Patent:** **\*\* Oct. 9, 2018**

(54) **ROD STRAP HOOK**  
(71) Applicant: **Abraham B. Kuhns**, Arthur, IL (US)  
(72) Inventor: **Abraham B. Kuhns**, Arthur, IL (US)  
(\*\*) Term: **15 Years**  
(21) Appl. No.: **29/629,758**  
(22) Filed: **Dec. 15, 2017**  
(51) **LOC (11) Cl.** ..... **08-05**  
(52) **U.S. Cl.**  
USPC ..... **D8/367**  
(58) **Field of Classification Search**  
USPC ..... D8/349, 354, 367  
CPC ..... A41F 9/007; A47G 25/065; B60N 3/005;  
B60R 7/10; F16B 1/00  
See application file for complete search history.

D667,293 S \* 9/2012 Thompson ..... D8/367  
D670,997 S \* 11/2012 Thompson ..... D8/367  
D703,517 S \* 4/2014 Stromberg ..... D8/370  
8,727,143 B2 \* 5/2014 Flickinger ..... A47F 7/00  
211/30  
D706,124 S \* 6/2014 Banasik ..... D8/370  
9,174,564 B2 \* 11/2015 Neumann ..... B60P 7/0823  
D750,472 S \* 3/2016 Kuka ..... D8/367  
9,273,718 B2 \* 3/2016 Fathi ..... F16B 45/02  
D752,958 S \* 4/2016 Giordano ..... D8/367  
D756,205 S \* 5/2016 New ..... D8/367  
9,717,225 B1 \* 8/2017 Rider ..... A01K 91/04  
D802,402 S \* 11/2017 Hintze ..... D8/367  
9,814,285 B1 \* 11/2017 Rider ..... A44C 5/0007  
9,908,448 B2 \* 3/2018 Van Blarcom ..... B60N 3/005  
9,936,679 B2 \* 4/2018 Roberdeaux ..... F16B 2/08  
2009/0294491 A1 \* 12/2009 Carver ..... A47G 25/08  
223/85

\* cited by examiner

*Primary Examiner* — Cynthia R Underwood  
(74) *Attorney, Agent, or Firm* — Philip L. Bateman

(56) **References Cited**  
U.S. PATENT DOCUMENTS

721,071 A \* 2/1903 McGill ..... A47G 7/045  
248/302  
D372,937 S \* 8/1996 Anders ..... D19/65  
5,832,572 A \* 11/1998 Norrby ..... B60C 27/10  
24/600.9  
6,081,975 A \* 7/2000 Norrby ..... F16B 45/00  
24/265 H  
6,195,848 B1 \* 3/2001 Jackson ..... B60P 7/083  
24/68 CD  
6,427,296 B1 \* 8/2002 Chang ..... B66C 1/36  
24/371  
6,519,818 B1 \* 2/2003 Chang ..... B66C 1/36  
24/599.4  
6,631,539 B1 \* 10/2003 Chang ..... B60P 7/0807  
24/265 H  
D493,092 S \* 7/2004 Kalat ..... D8/367  
D499,008 S \* 11/2004 Chang ..... D8/370  
D642,897 S \* 8/2011 Berkowitz ..... D8/367  
D659,519 S \* 5/2012 Berkowitz ..... D8/367  
D664,422 S \* 7/2012 Wu ..... D8/367

(57) **CLAIM**

The ornamental design for a rod strap hook, as shown and described.

**DESCRIPTION**

FIG. 1 is a front and right side perspective view of a rod strap hook showing my new design;  
FIG. 2 is a front and right side perspective view thereof with an end of a strap wrapped upon it;  
FIG. 3 is a top plan view thereof, shown reduced in scale;  
FIG. 4 is a rear elevation view thereof;  
FIG. 5 is a front elevation view thereof;  
FIG. 6 is a right side elevation view thereof; and,  
FIG. 7 is a bottom plan view thereof.  
The broken lines showing a strap wrapped onto the rod strap hook in FIG. 2 depict an environment of use and form no part of the claim.

**1 Claim, 2 Drawing Sheets**

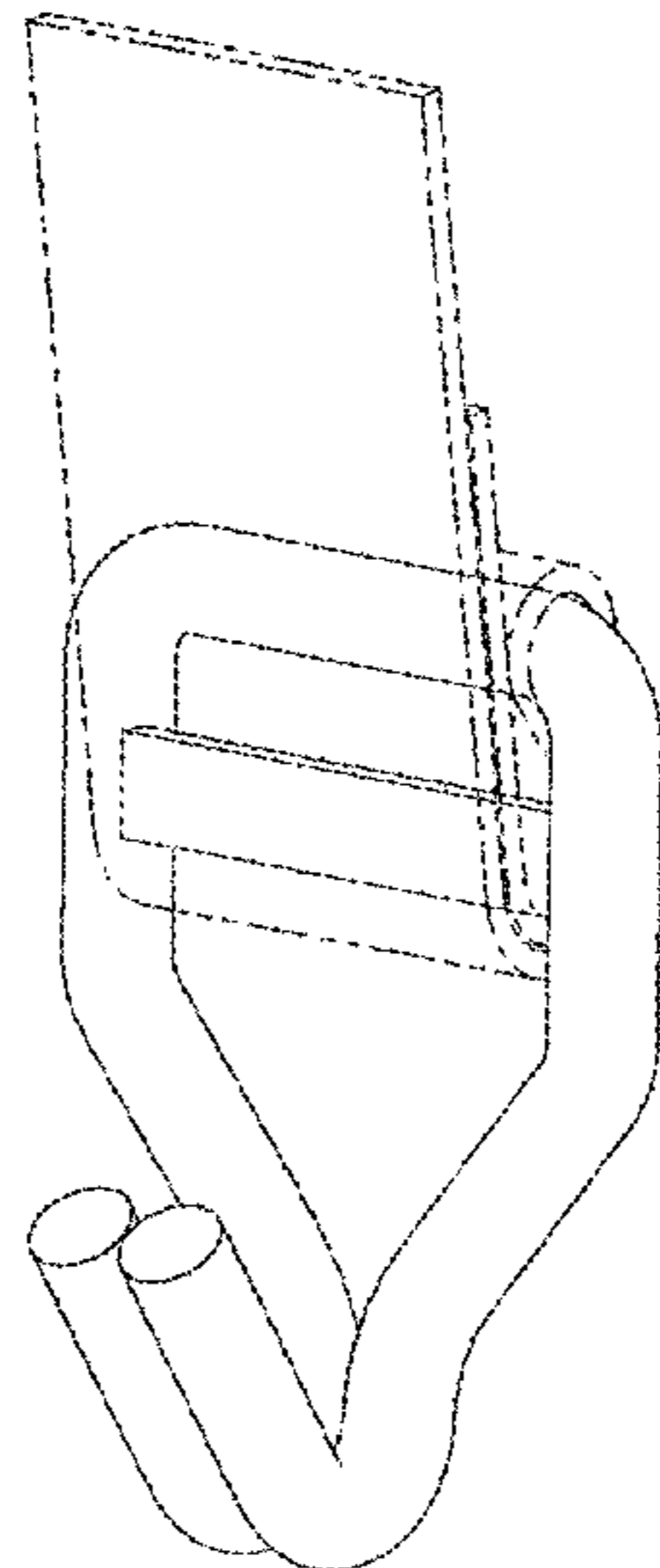


FIG. 2

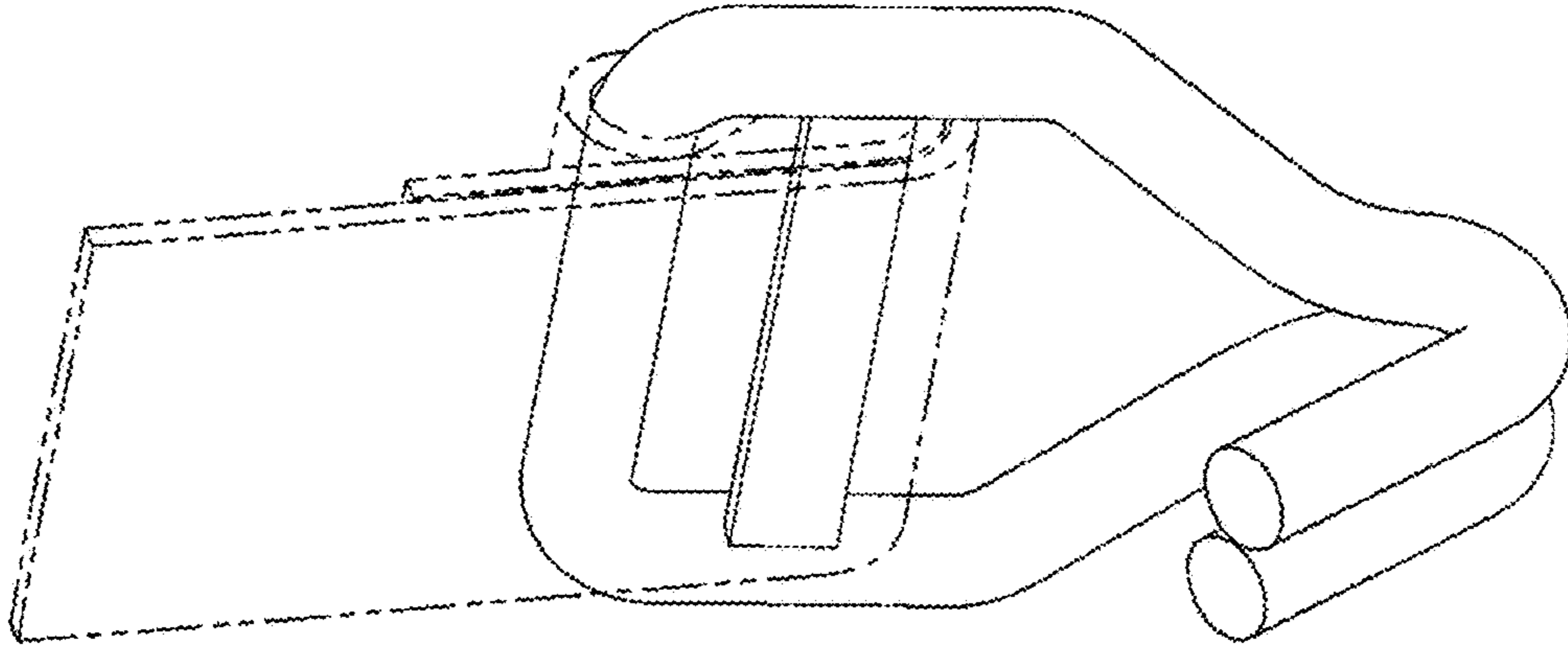


FIG. 1

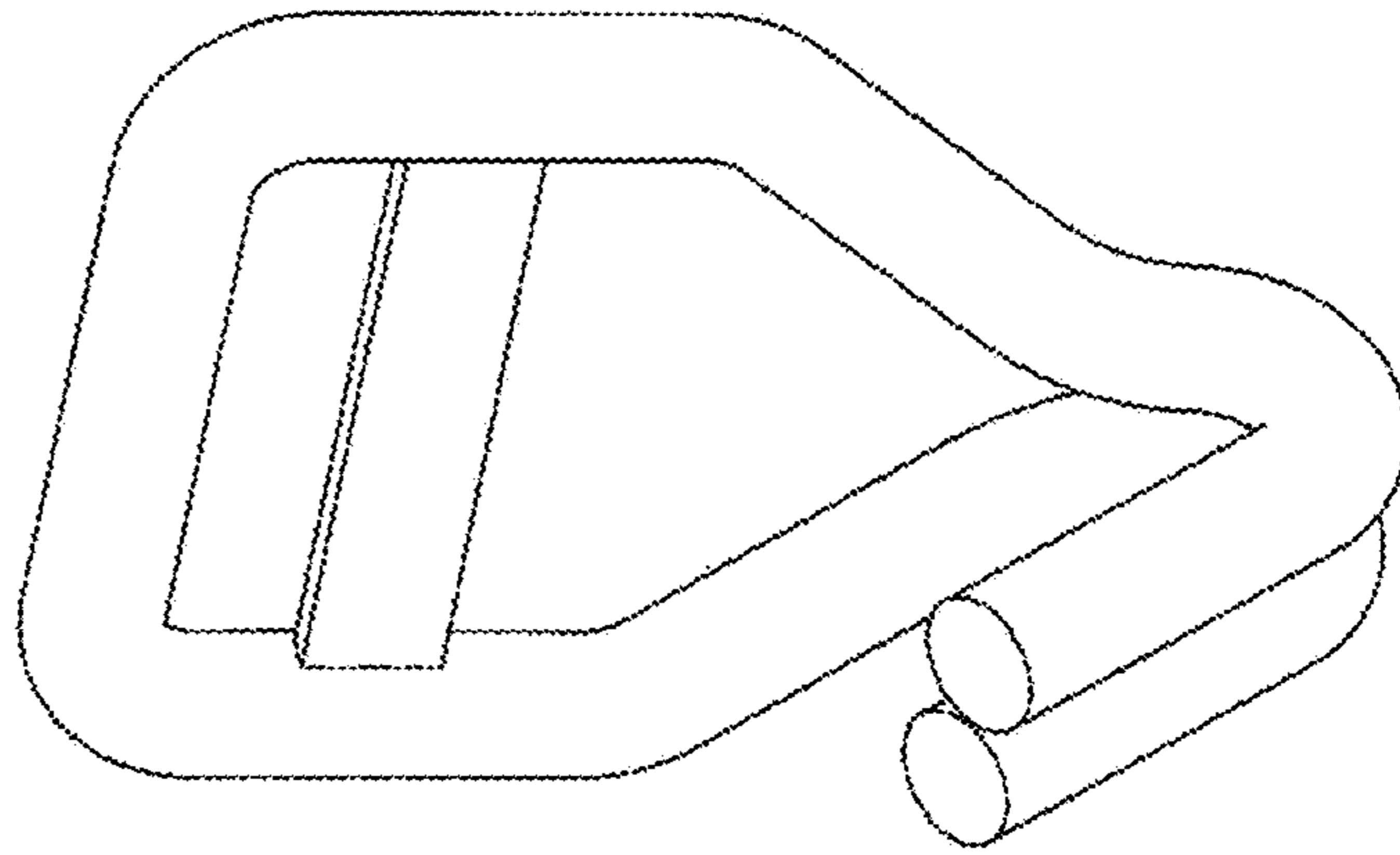


FIG. 3

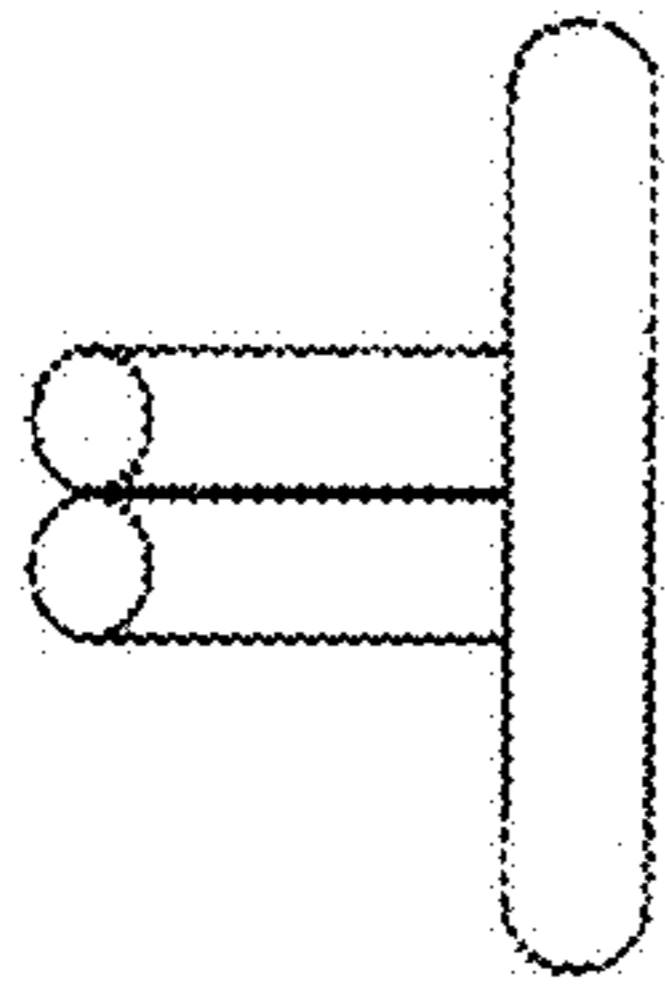


FIG. 5

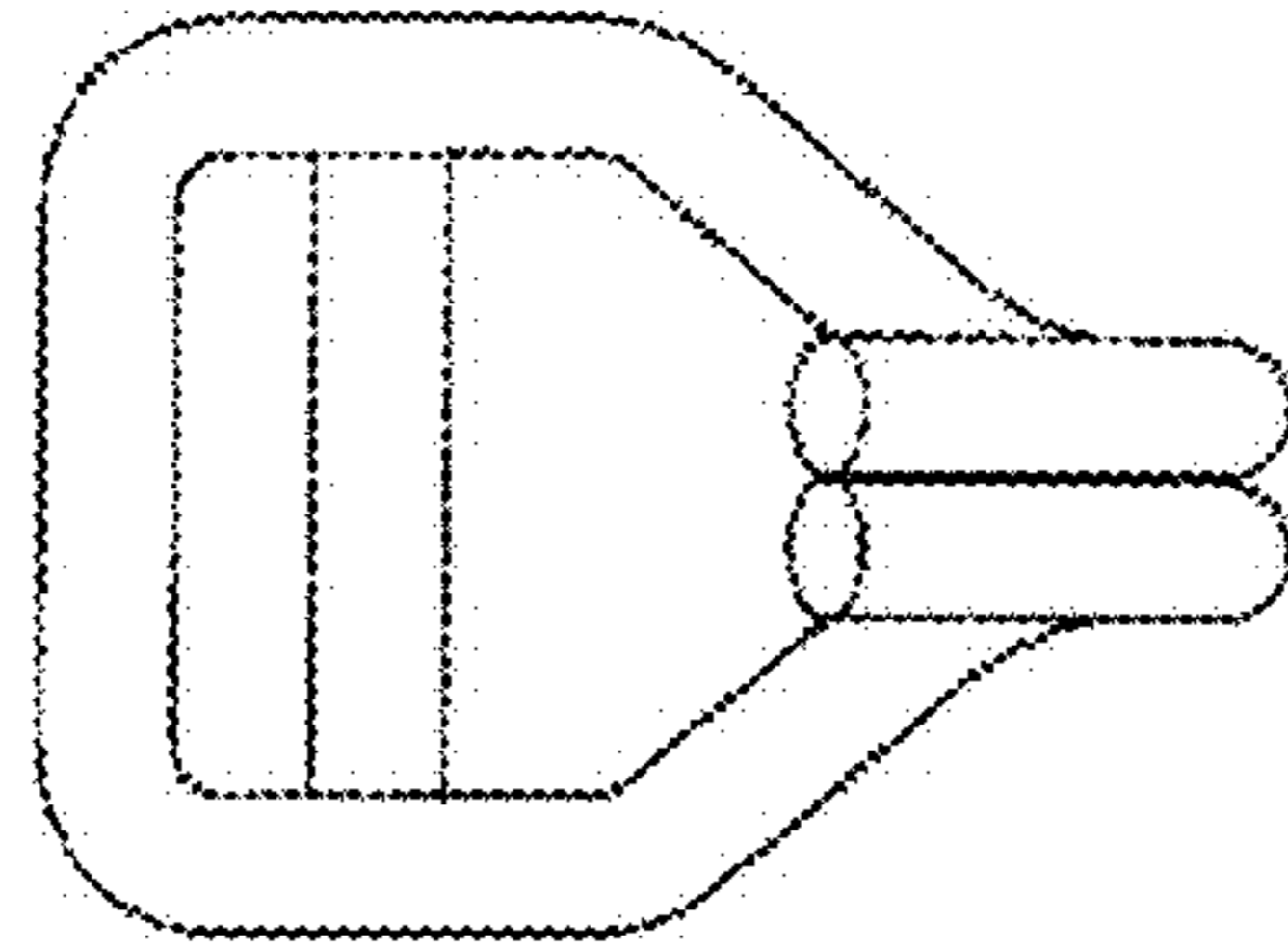


FIG. 6



FIG. 4

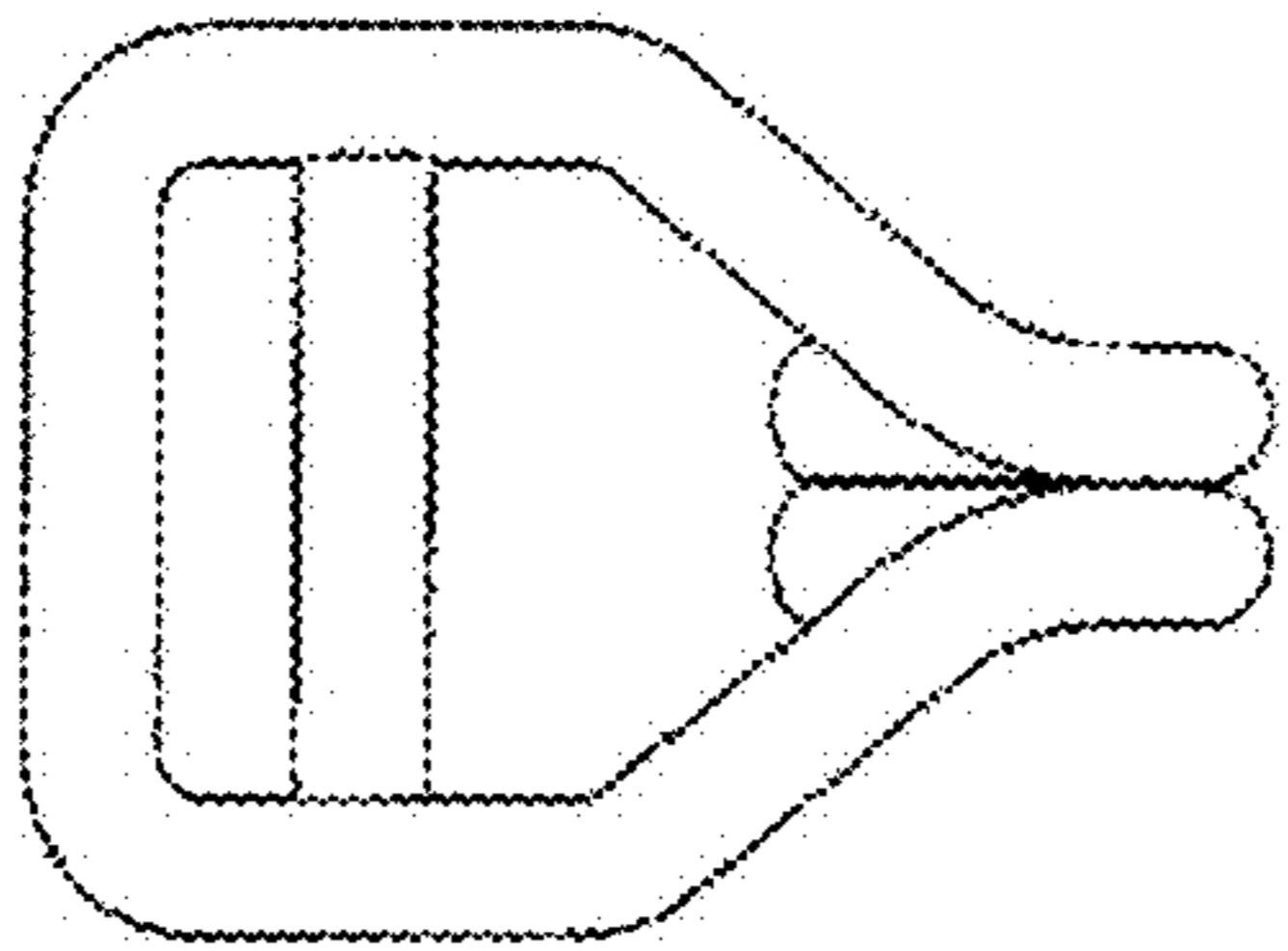


FIG. 7

