



US00D830155S

(12) **United States Design Patent**  
**Kopp et al.**

(10) **Patent No.:** **US D830,155 S**

(45) **Date of Patent:** **\*\* Oct. 9, 2018**

(54) **HOSE REEL**

(71) Applicant: **Suncast Technologies, LLC**, Palm Beach Gardens, FL (US)

(72) Inventors: **Robert G. Kopp**, Elburn, IL (US);  
**Michael R. Vogler**, Oswego, IL (US)

(73) Assignee: **Suncast Technologies, LLC**, Palm Beach Gardens, FL (US)

(\*\*) Term: **15 Years**

(21) Appl. No.: **29/552,427**

(22) Filed: **Jan. 22, 2016**

(51) **LOC (11) Cl.** ..... **08-05**

(52) **U.S. Cl.**

USPC ..... **D8/358**

(58) **Field of Classification Search**

USPC ..... D8/74, 347, 373, 375, 380, 381, 396,  
D8/356, 359, 358, 360.1; D6/306, 309,  
D6/677

CPC . B65H 75/40; B65H 75/4407; B65H 75/4471

See application file for complete search history.

(56) **References Cited**

**U.S. PATENT DOCUMENTS**

D277,261 S \* 1/1985 King ..... D8/358  
D321,123 S \* 10/1991 Simonetti ..... D34/24

D436,520 S \* 1/2001 Bulman ..... D8/358  
D538,631 S \* 3/2007 Tabor ..... D8/359  
D545,561 S \* 7/2007 Vandecasteele ..... D3/24

\* cited by examiner

*Primary Examiner* — Janice Hallmark

*Assistant Examiner* — Eliza Z Bennett-Hattan

(74) *Attorney, Agent, or Firm* — McHale & Slavin, P.A.

(57) **CLAIM**

The ornamental design for a hose reel, as shown and described.

**DESCRIPTION**

FIG. 1 is a top right isometric view of the hose reel of the present invention, illustrated in a mobile position;

FIG. 2 is a front view thereof;

FIG. 3 is a rear view thereof;

FIG. 4 is a left side view thereof;

FIG. 5 is a right side view thereof;

FIG. 6 is a bottom view thereof;

FIG. 7 is a top view thereof;

FIG. 8 is a top right isometric view of the hose reel of the present invention, illustrated in a stationary position;

FIG. 9 is a front view thereof;

FIG. 10 is a rear view thereof;

FIG. 11 is a left side view thereof;

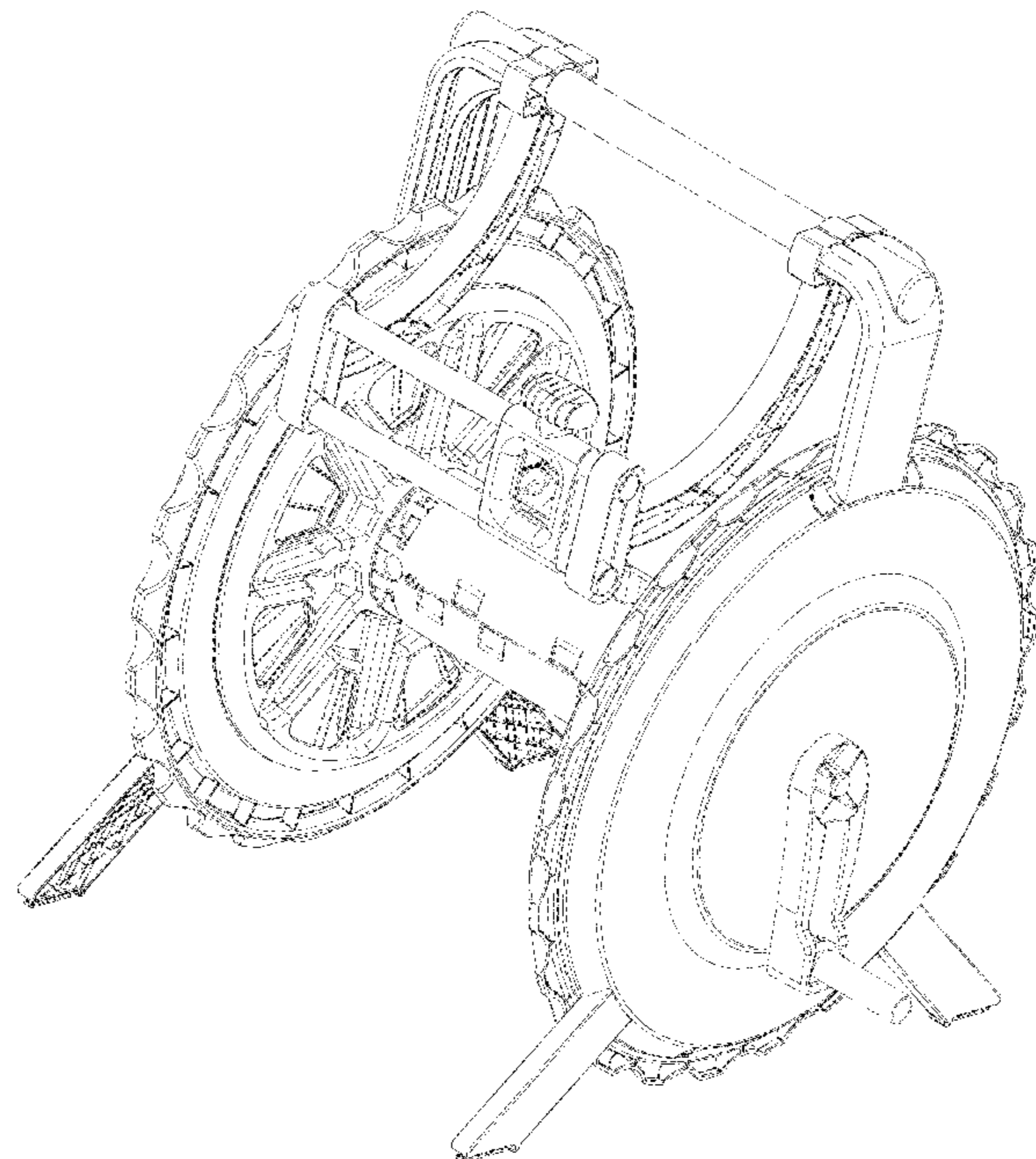
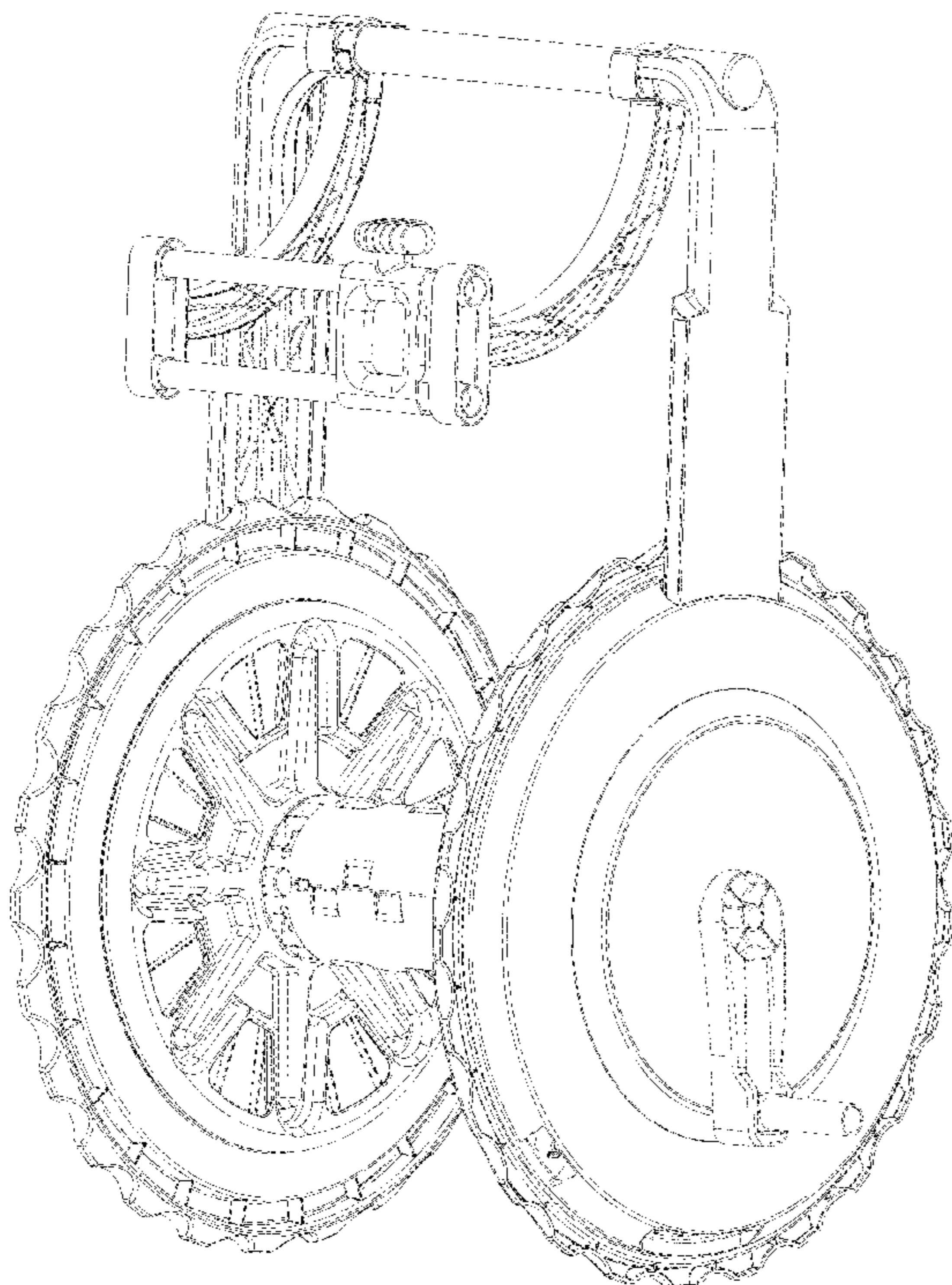
FIG. 12 is a right side view thereof;

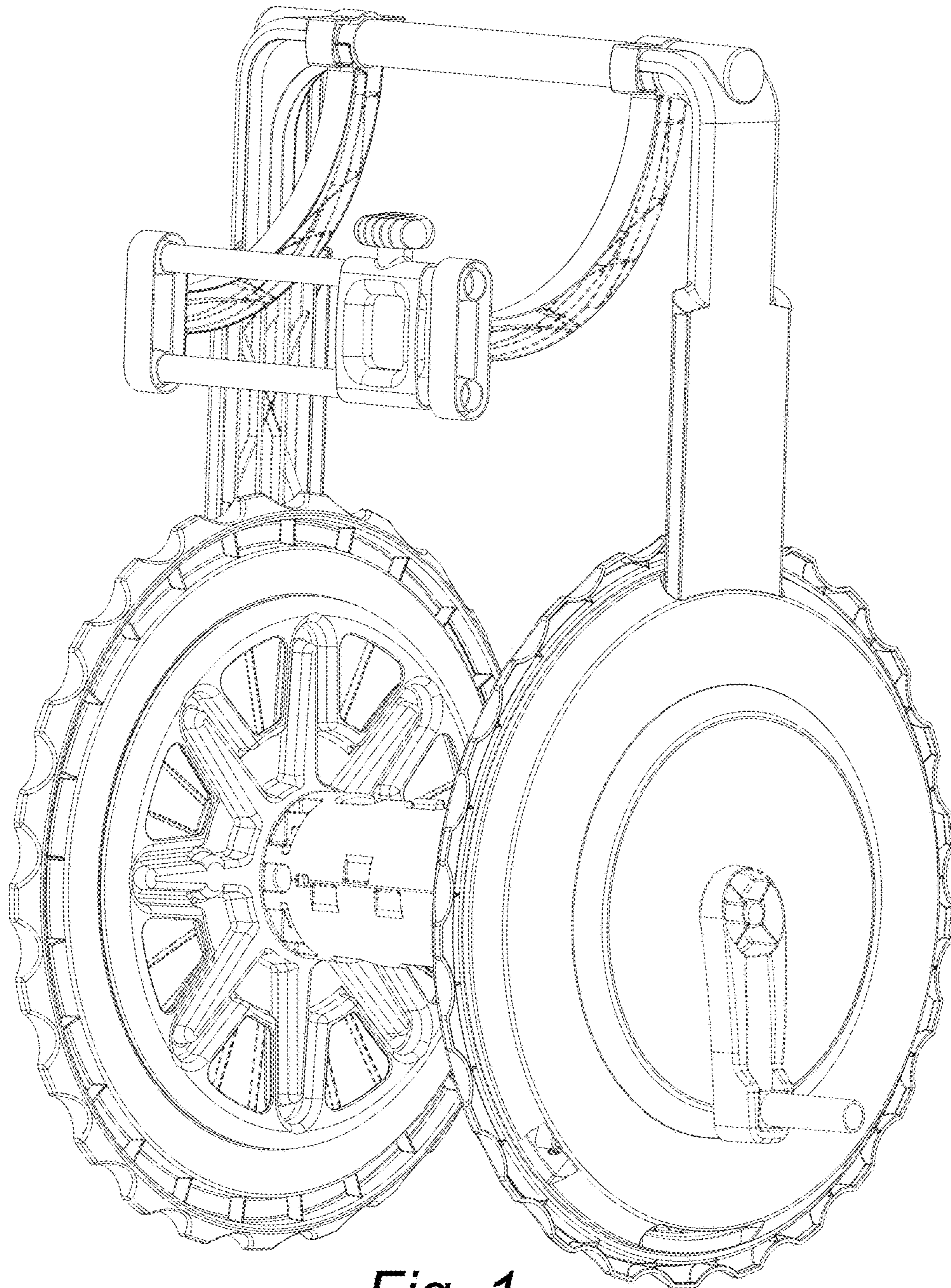
FIG. 13 is a bottom view thereof; and,

FIG. 14 is a top view thereof.

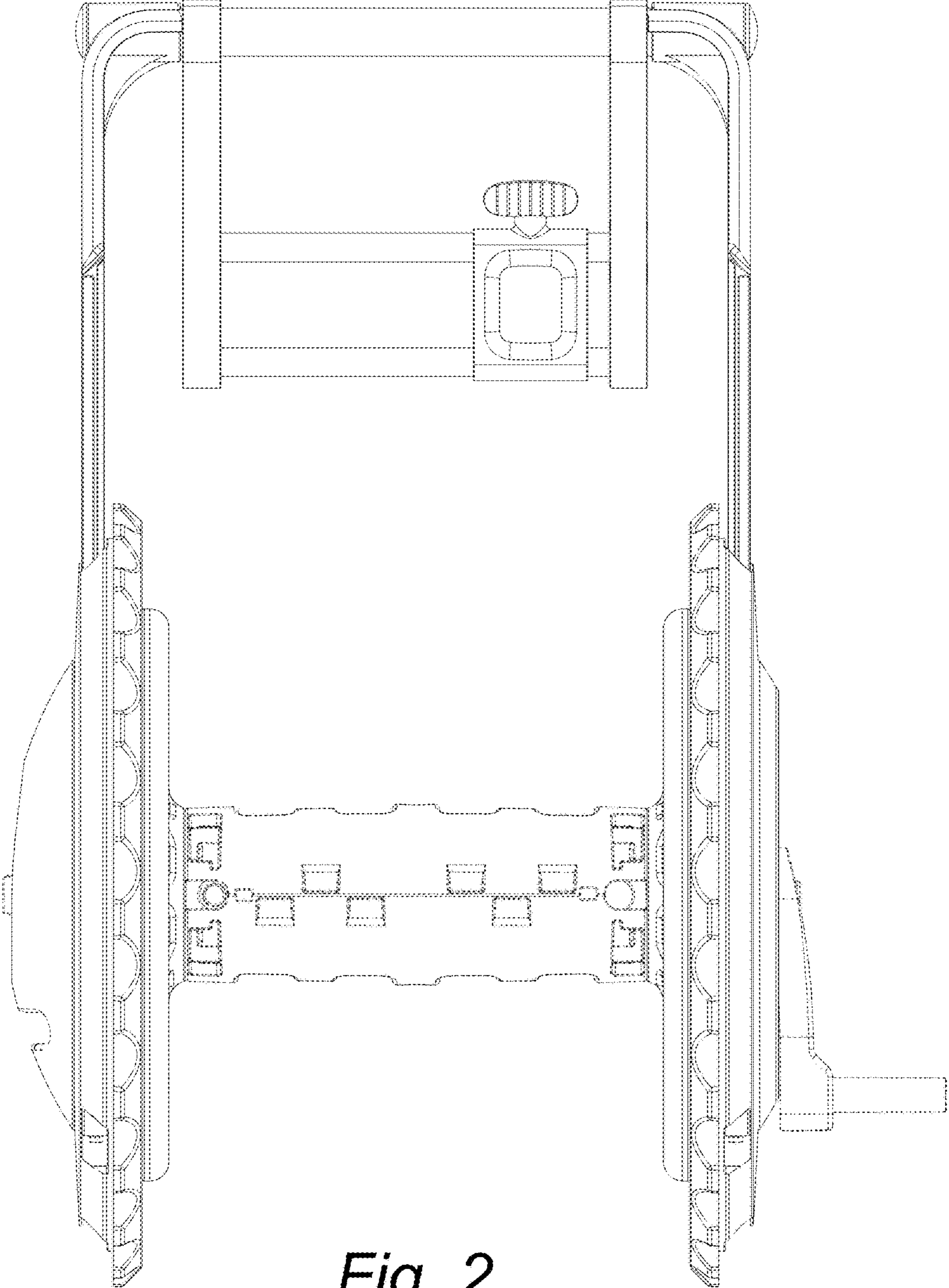
The portions of the hose reel illustrated in broken lines form no part of the claimed subject matter.

**1 Claim, 14 Drawing Sheets**

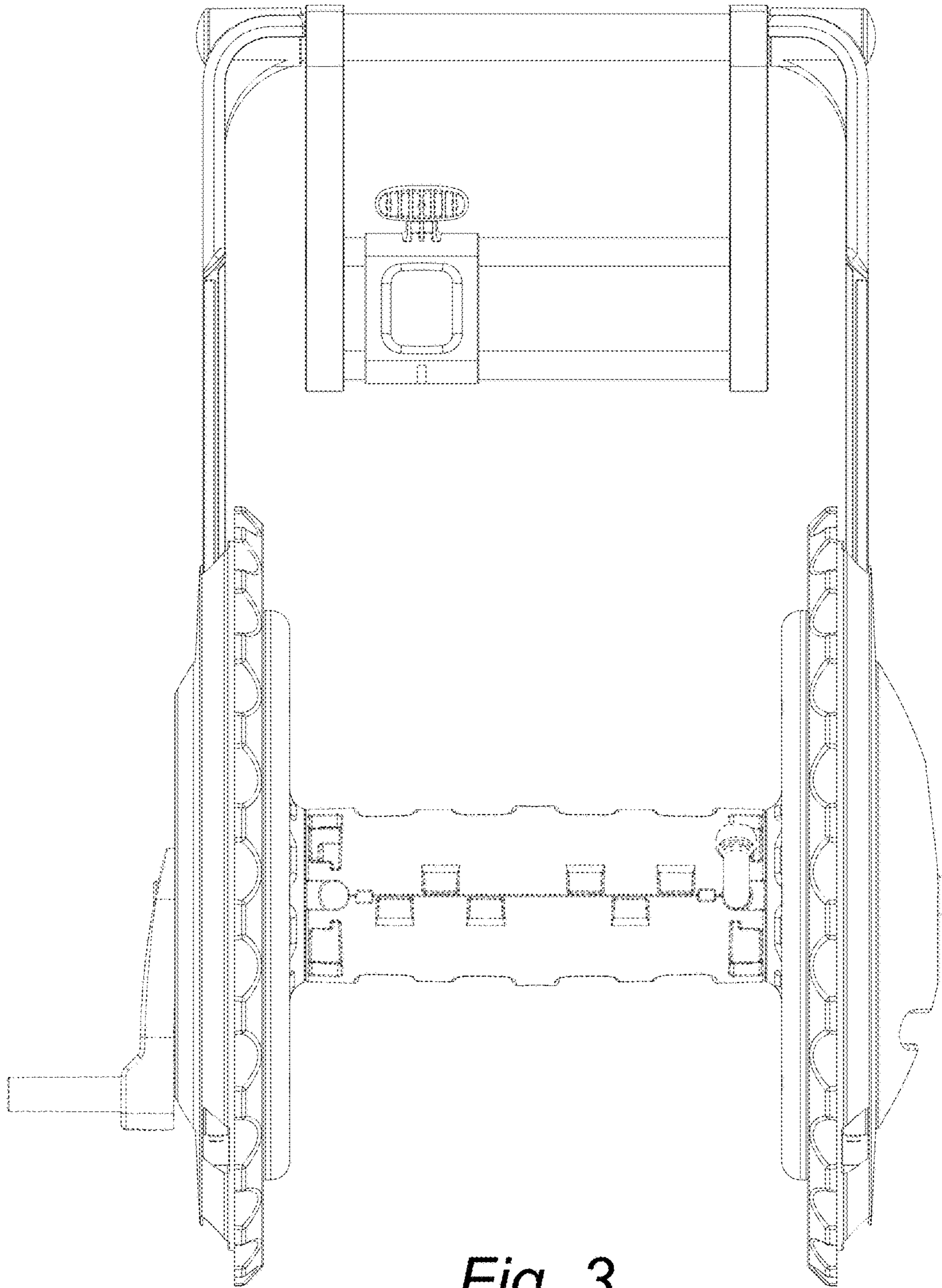




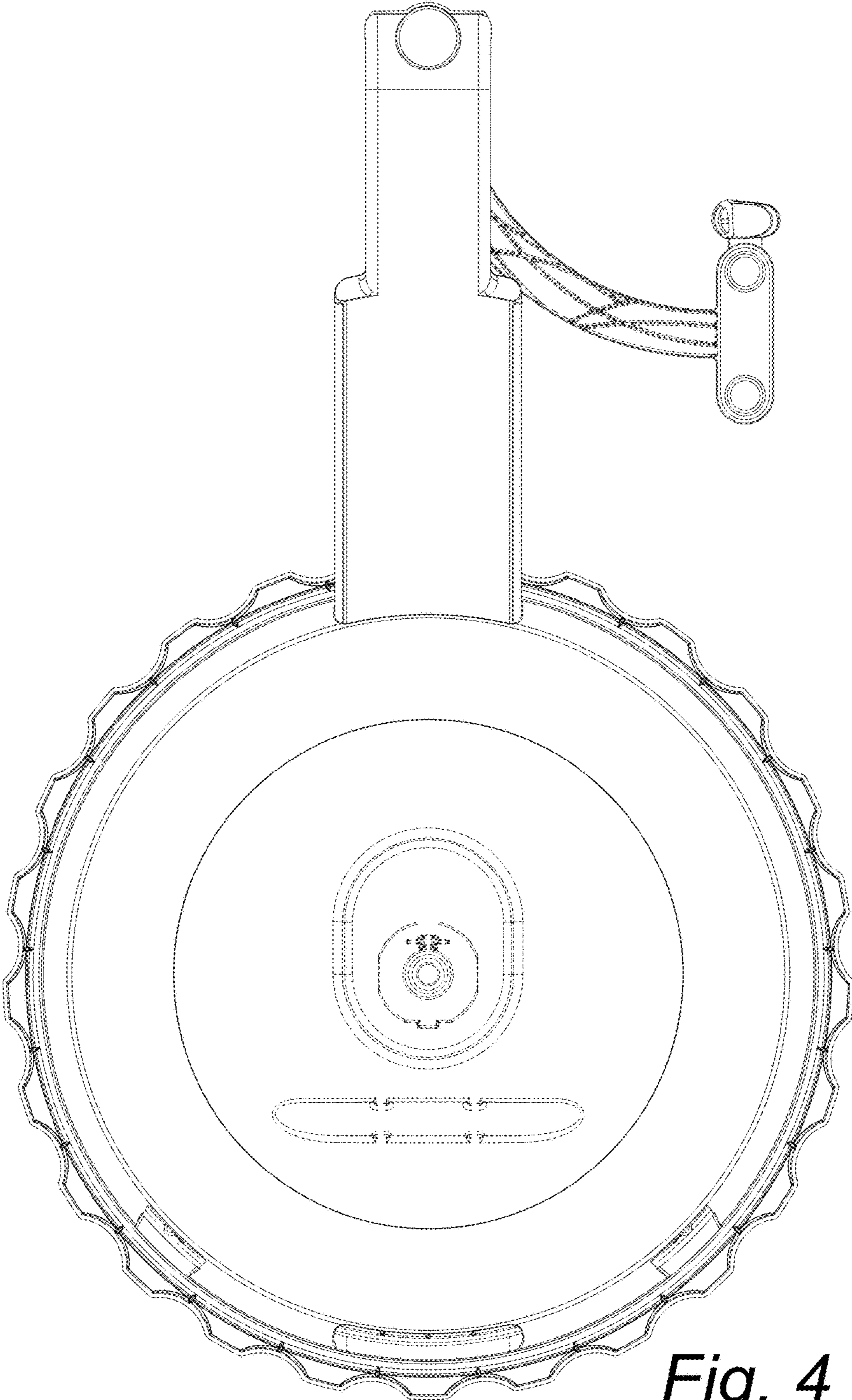
*Fig. 1*



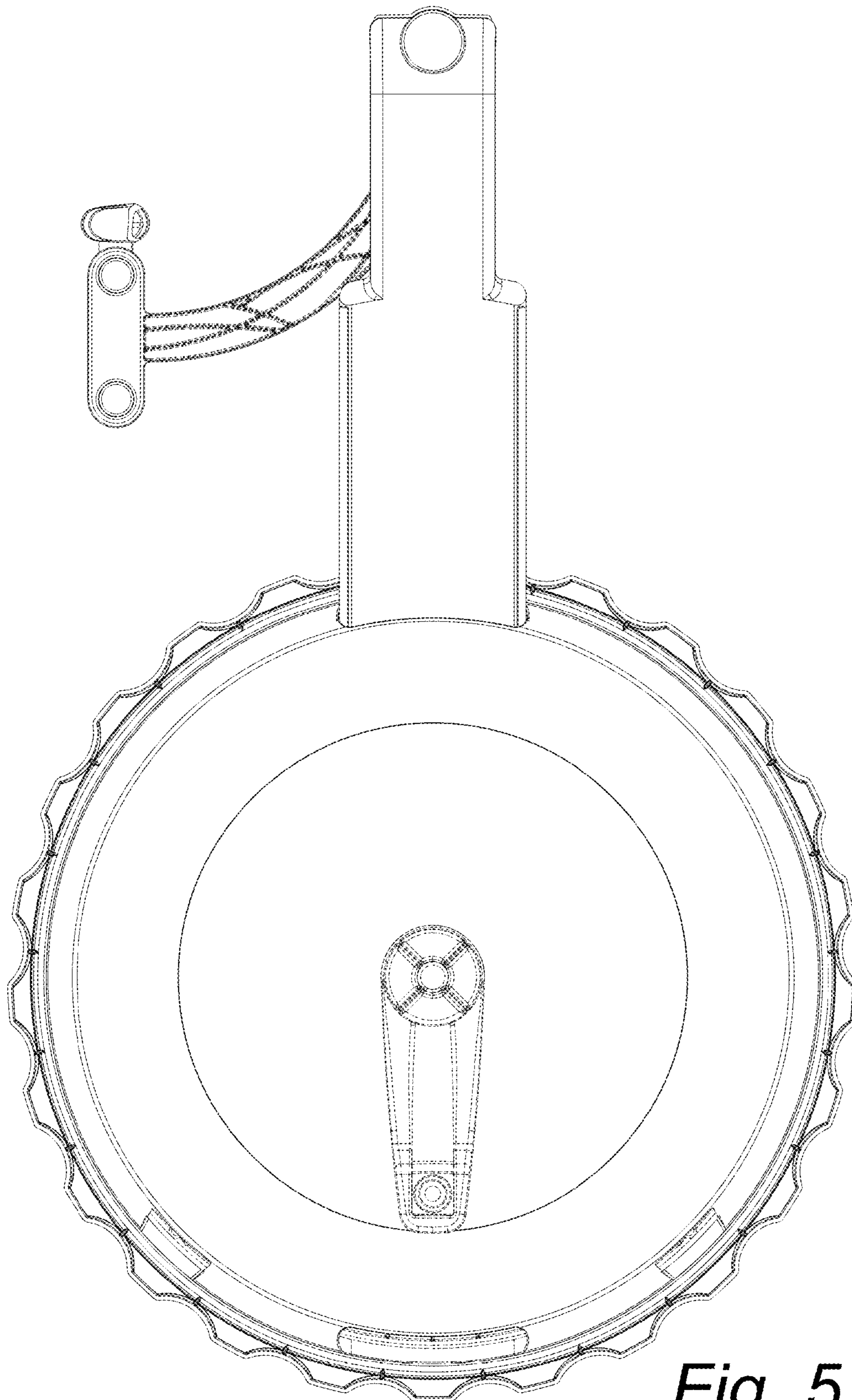
*Fig. 2*



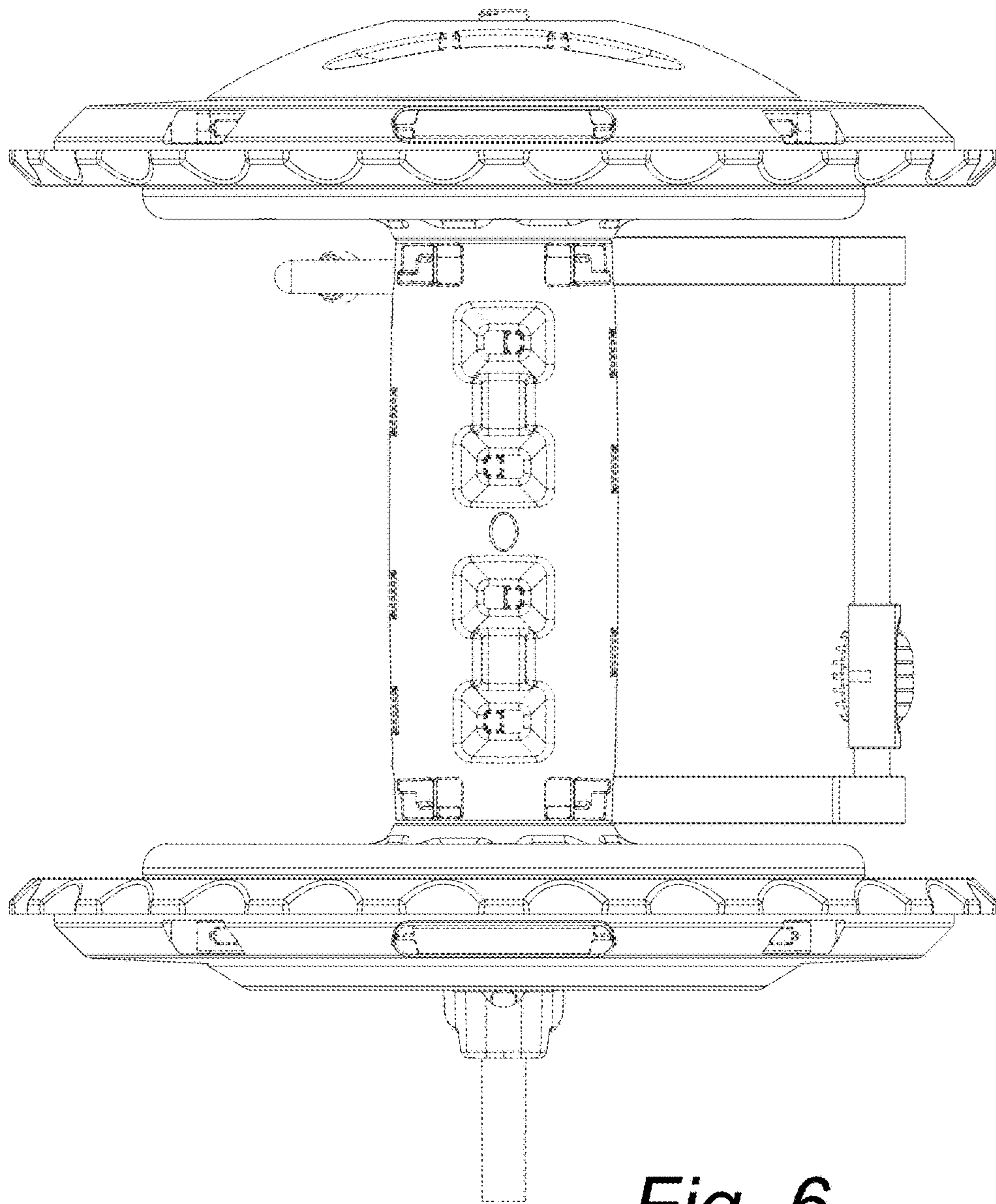
*Fig. 3*



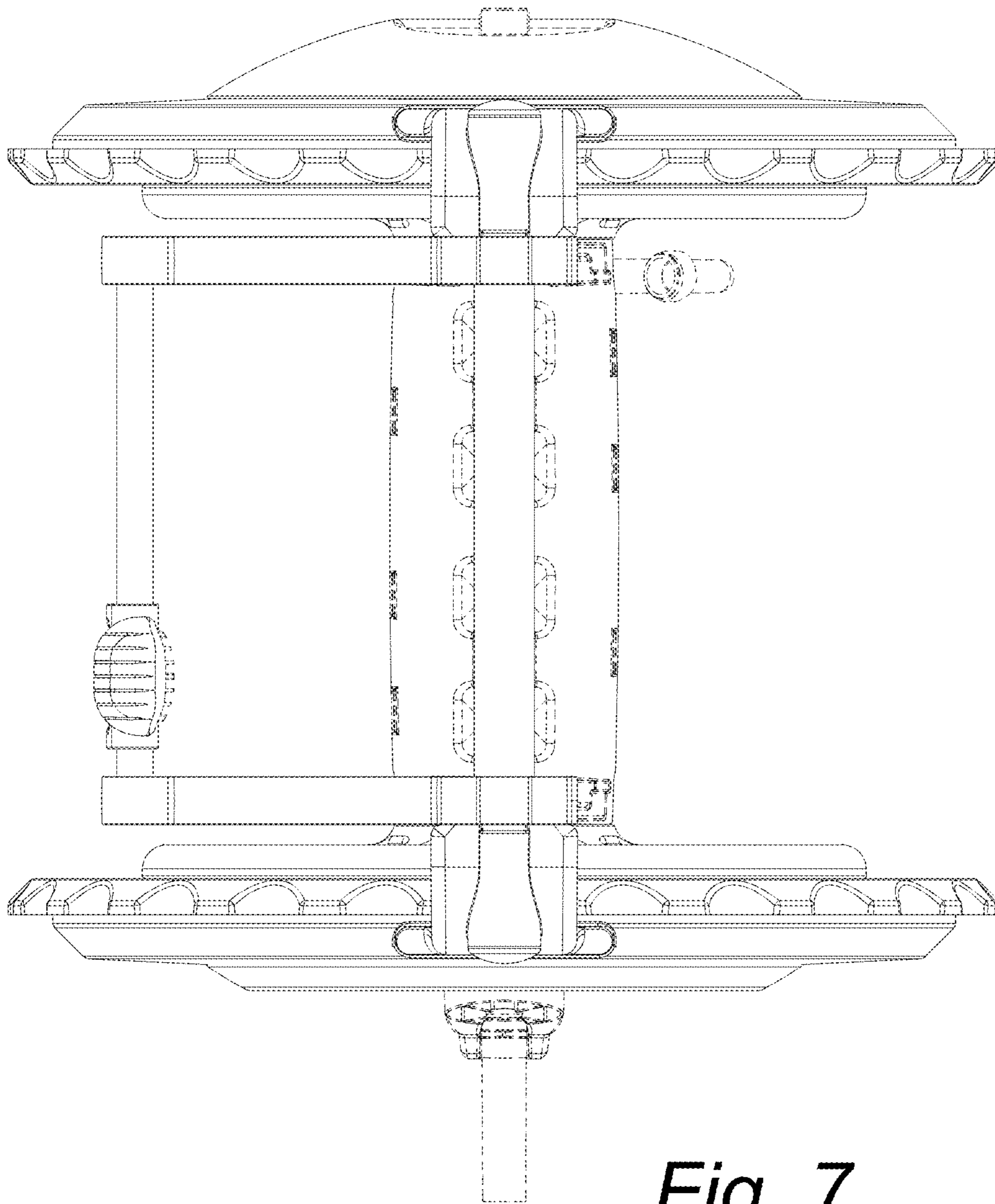
*Fig. 4*



*Fig. 5*

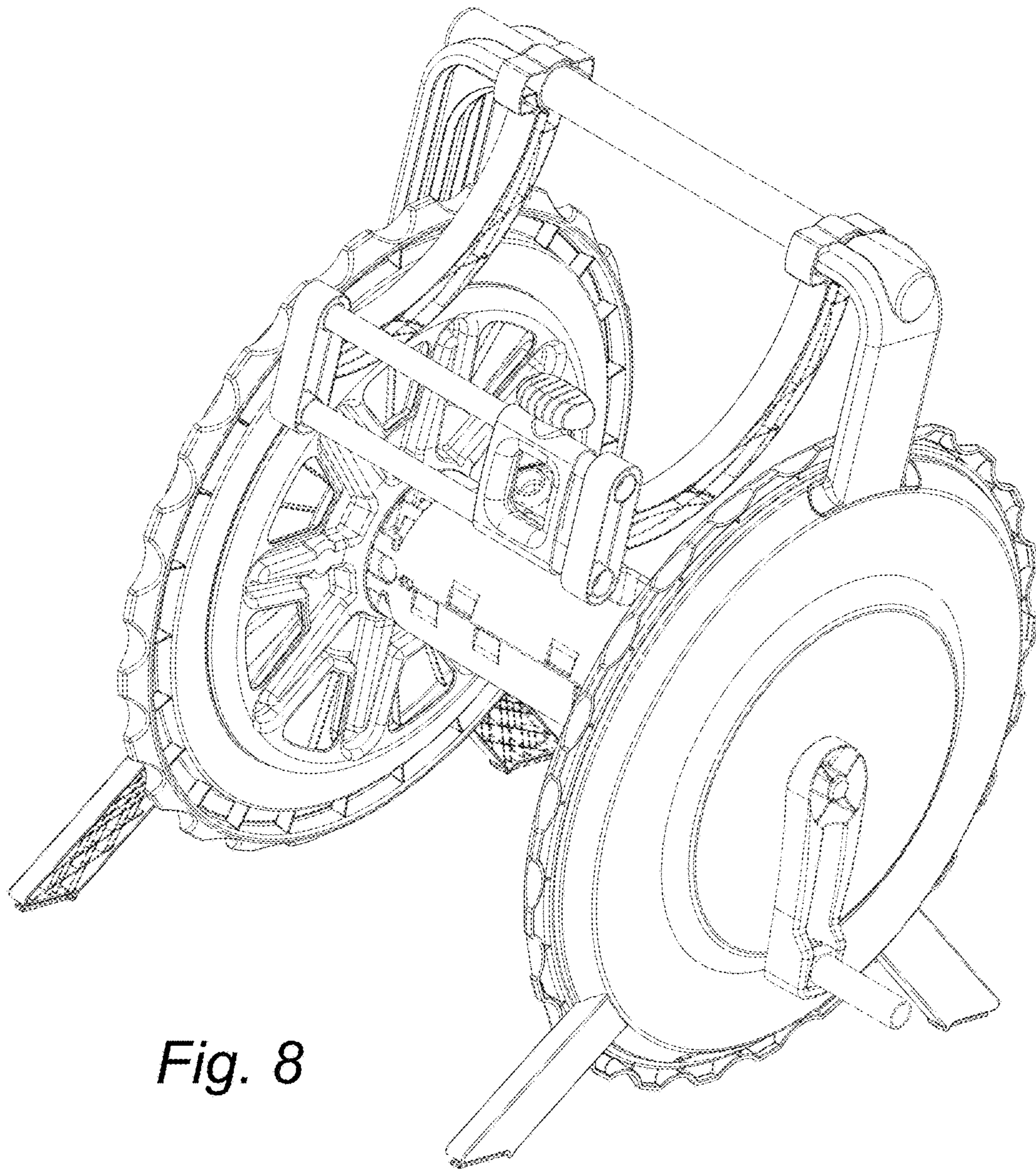


*Fig. 6*

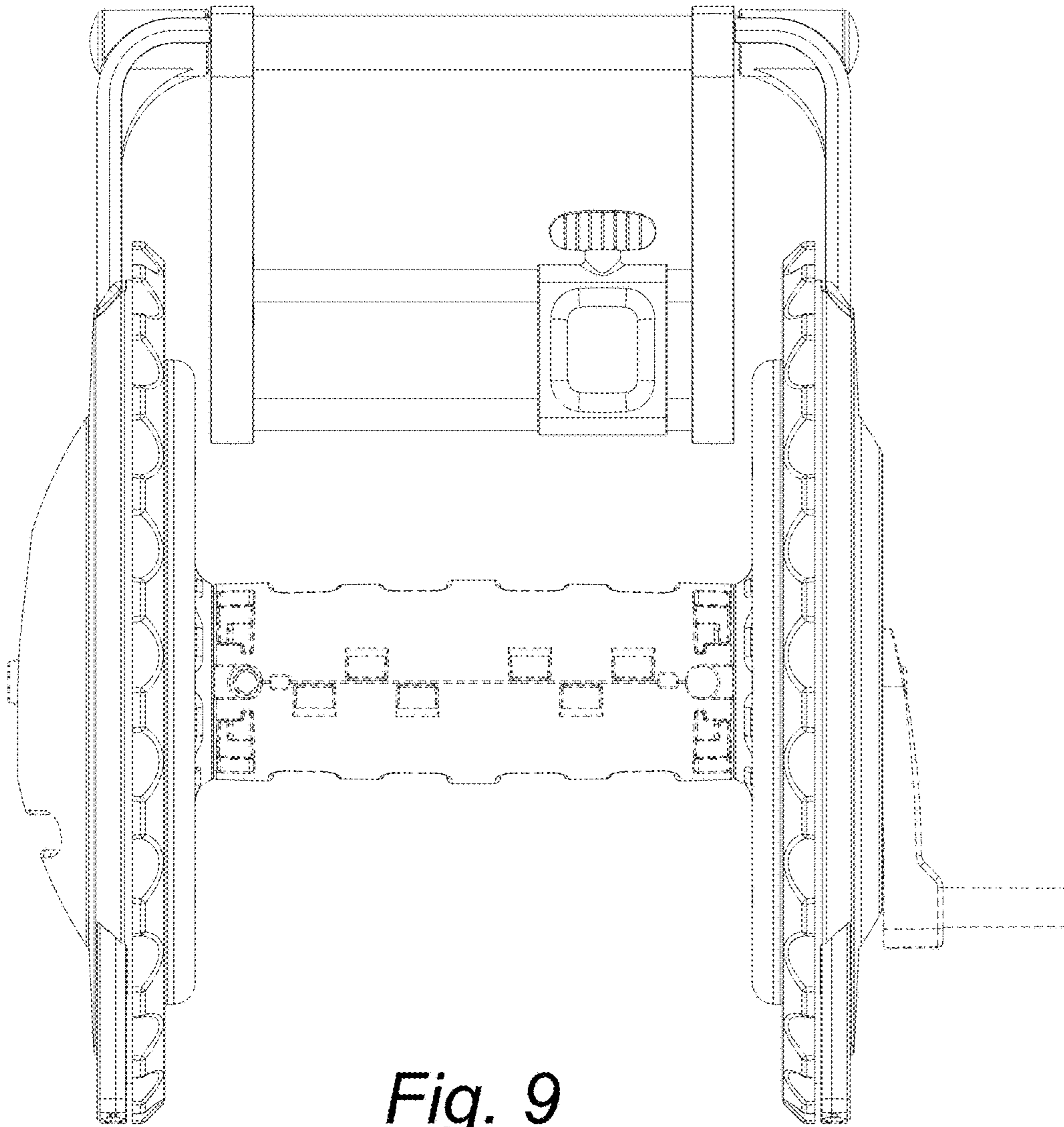


*Fig. 7*

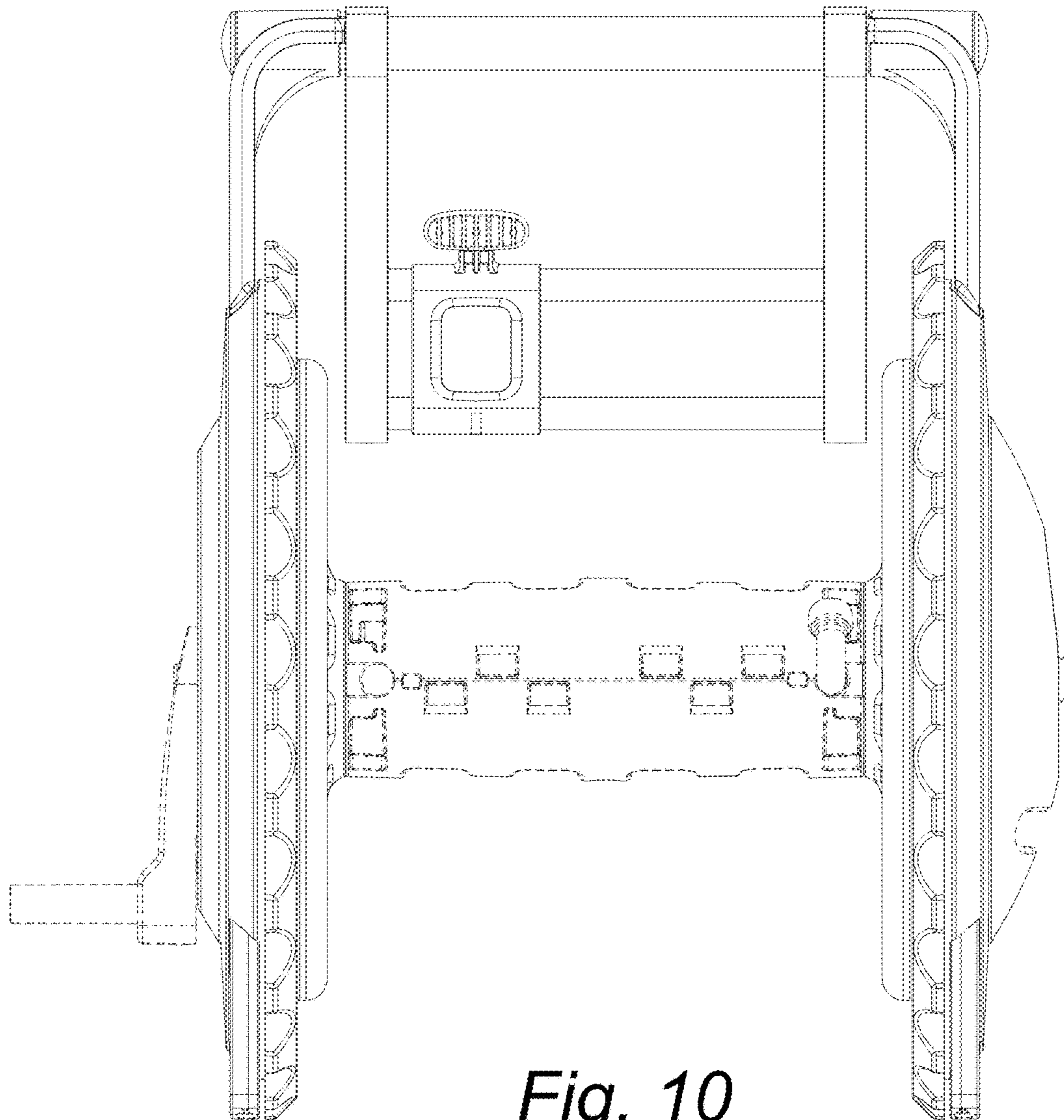




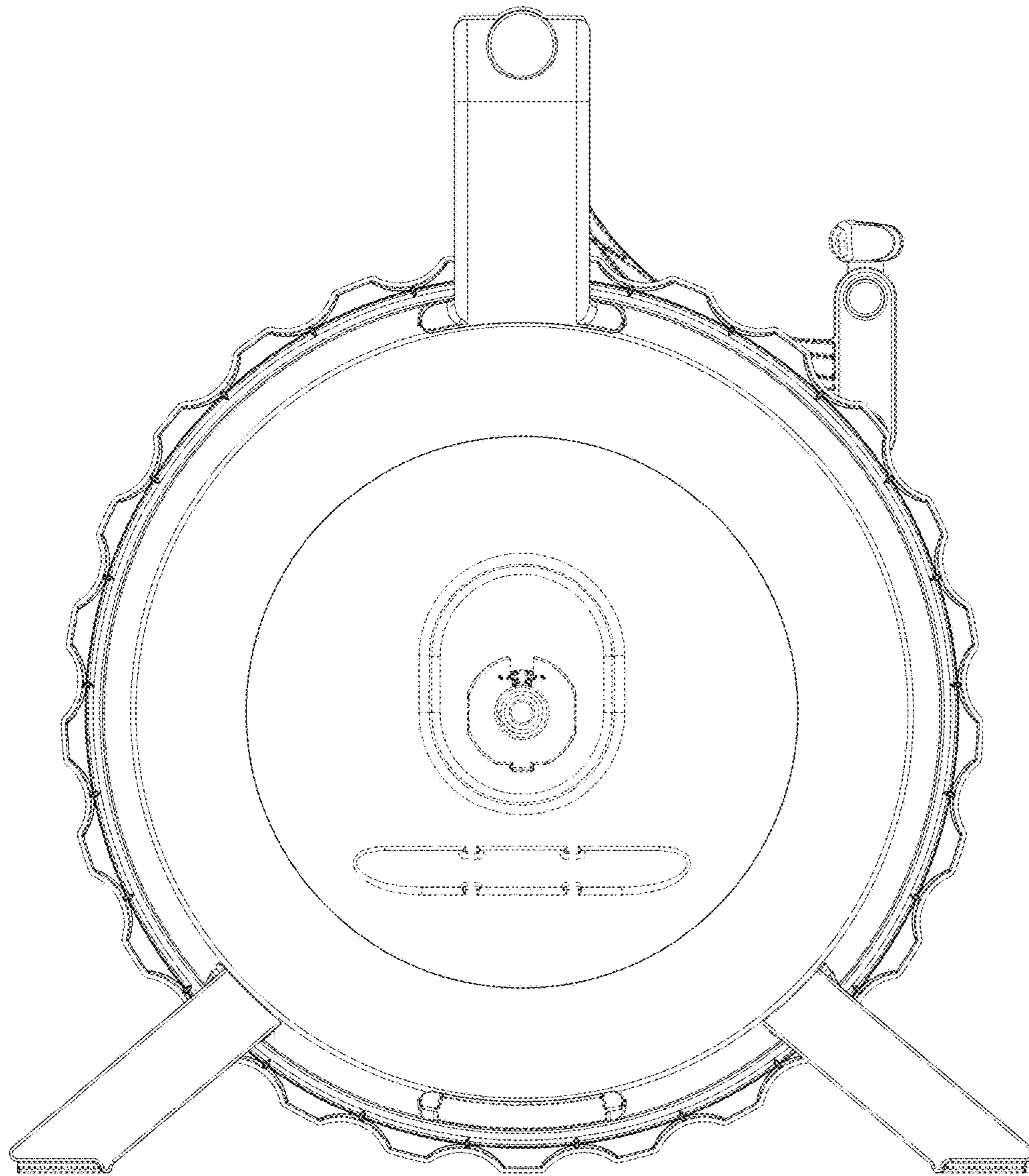
*Fig. 8*



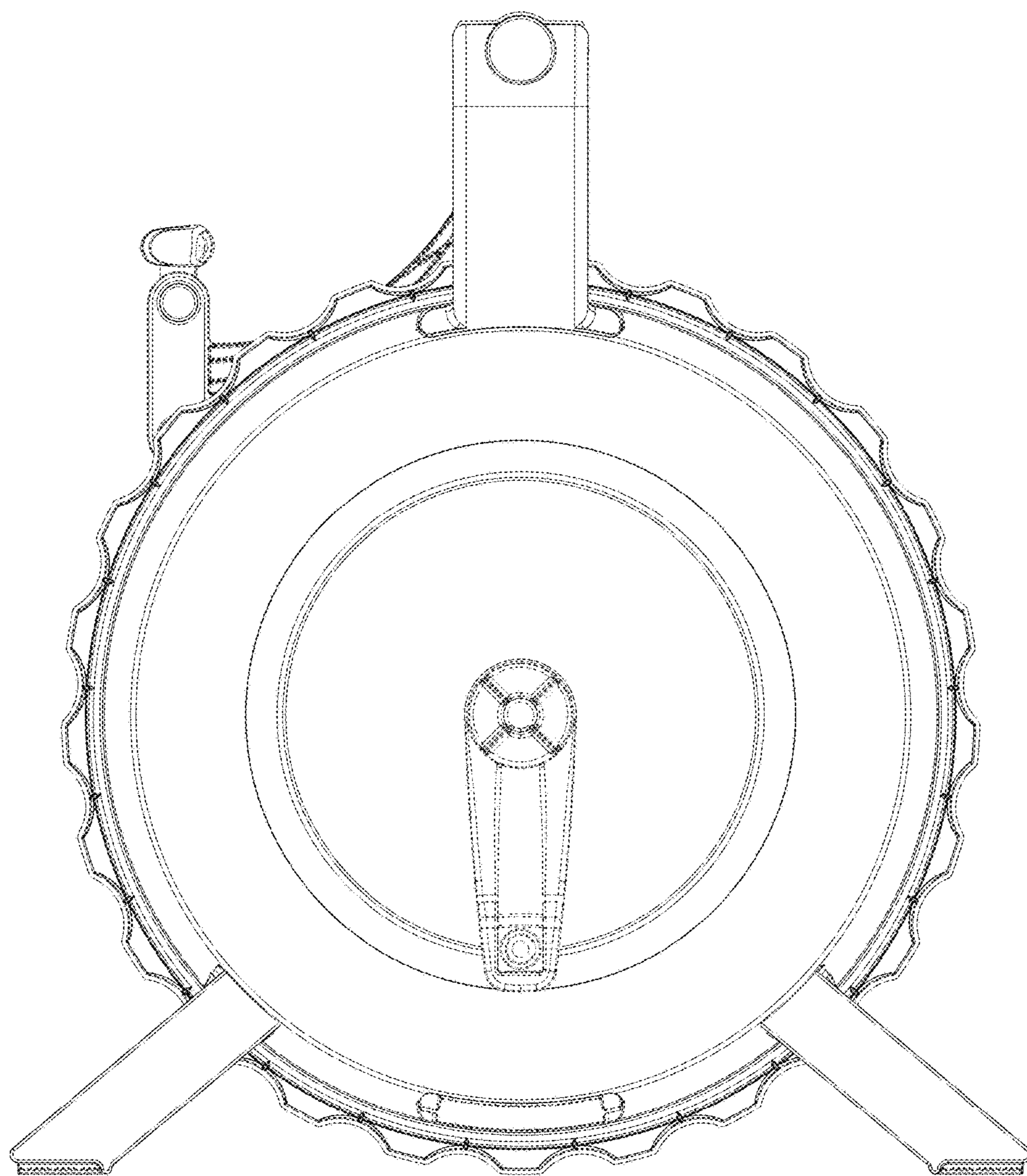
*Fig. 9*



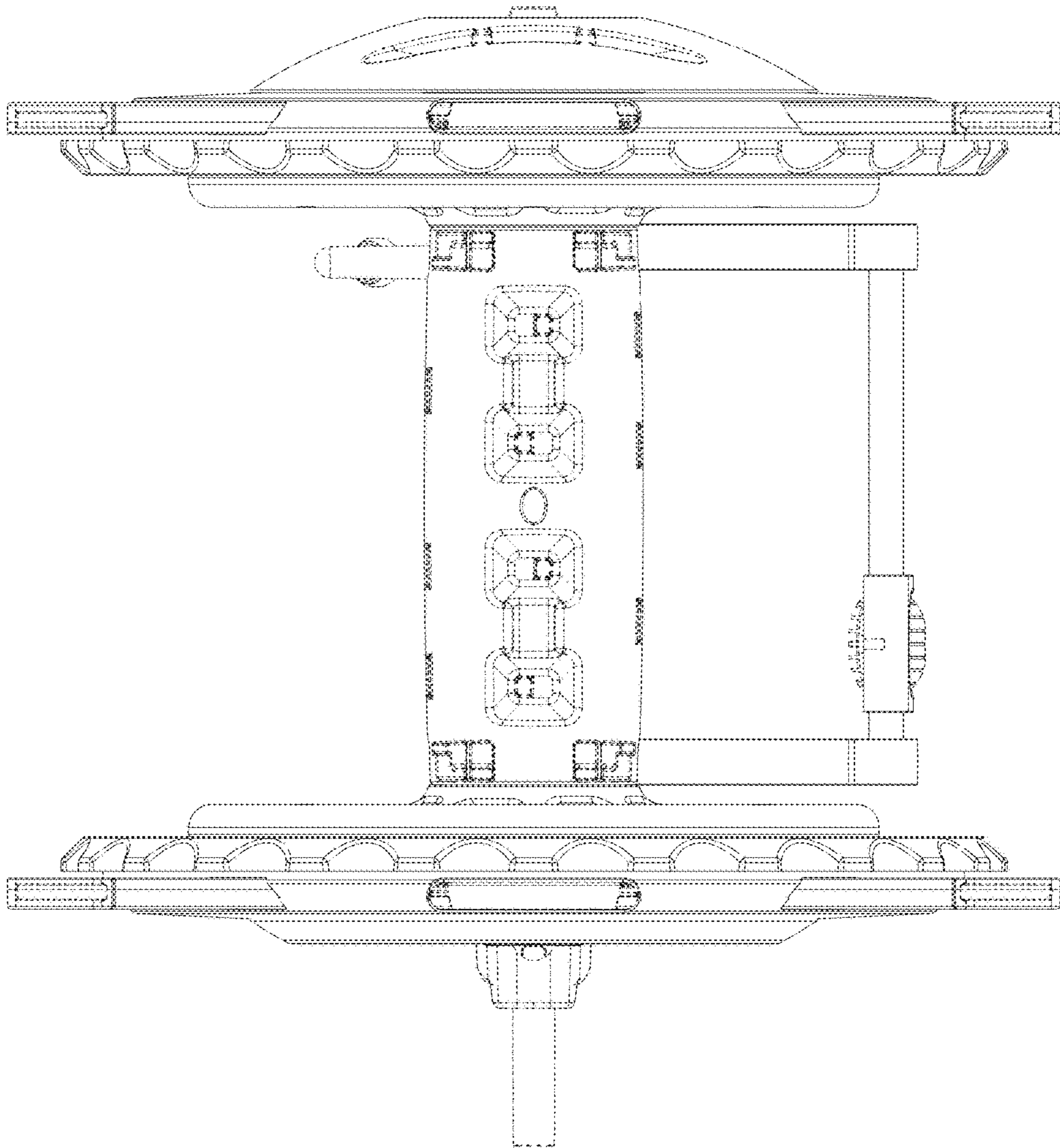
*Fig. 10*



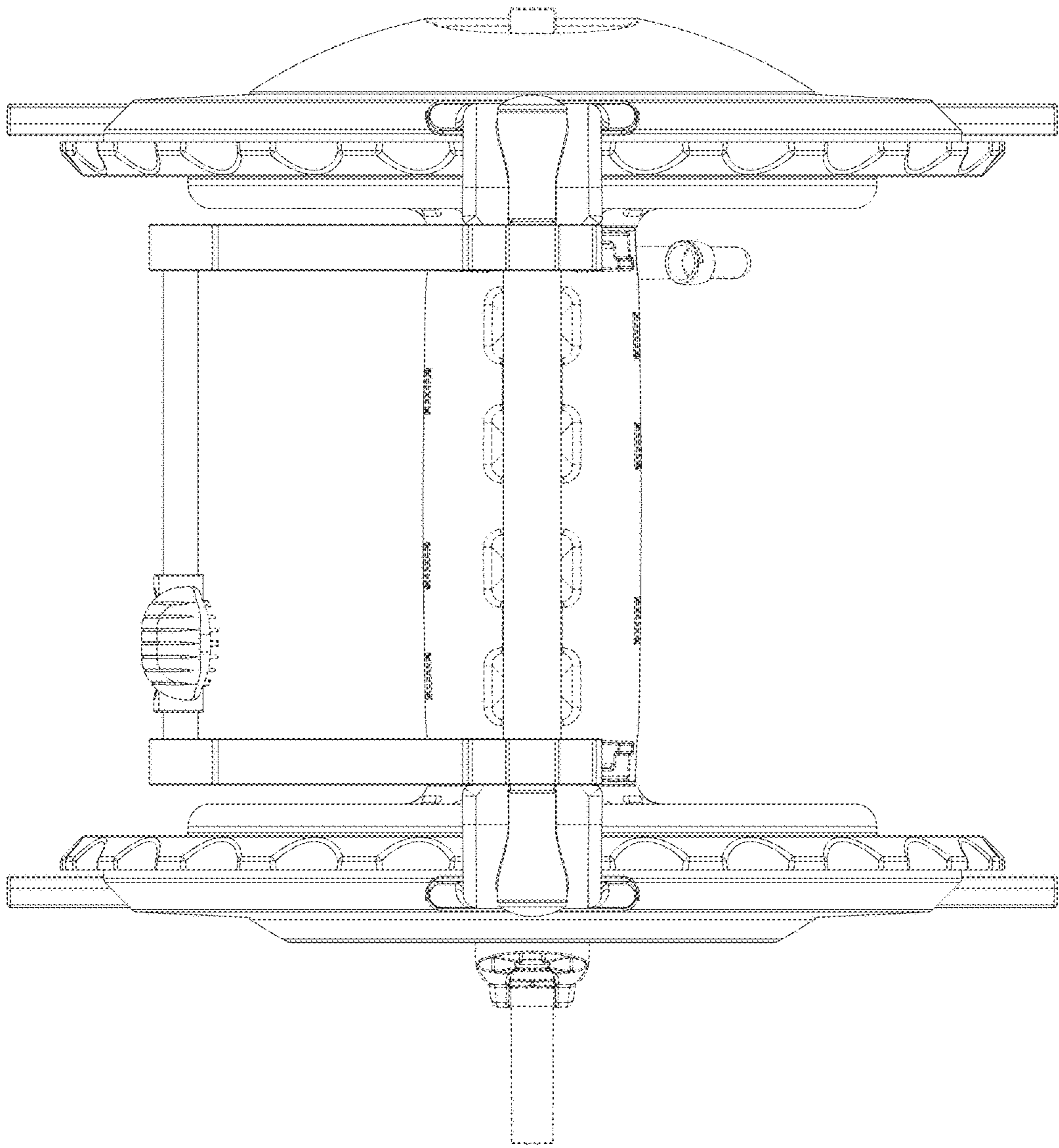
*Fig. 11*



*Fig. 12*



*Fig. 13*



*Fig. 14*