



US00D830153S

(12) **United States Design Patent**
Sadofsky

(10) **Patent No.:** **US D830,153 S**
(45) **Date of Patent:** **** Oct. 9, 2018**

- (54) **STRUT**
- (71) Applicant: **CALPIPE INDUSTRIES, LLC**,
Rancho Dominguez, CA (US)
- (72) Inventor: **Jay Brian Sadofsky**, Rancho
Dominguez, CA (US)
- (73) Assignee: **CALPIPE INDUSTRIES, LLC**,
Rancho Dominguez, CA (US)
- (**) Term: **15 Years**
- (21) Appl. No.: **29/607,282**
- (22) Filed: **Jun. 12, 2017**
- (51) **LOC (11) Cl.** **08-05**
- (52) **U.S. Cl.**
USPC **D8/354**
- (58) **Field of Classification Search**
USPC D8/354, 349, 16, 373, 499, 396;
D25/119, 164, 199; D13/153
CPC .. H02G 3/24; F16L 33/04; F16L 3/233; F16L
3/237
See application file for complete search history.

- D608,183 S 12/2010 Meyer et al.
- D649,863 S 12/2011 Meyer
- D653,524 S * 2/2012 Meyer D6/567
- 8,875,351 B1 * 11/2014 Williams B62B 5/069
16/421
- D736,612 S * 8/2015 Sickler, Jr. D8/396
- D744,237 S * 12/2015 Guichot D3/318
- D779,688 S * 2/2017 Gourley D25/199

OTHER PUBLICATIONS

Long Half Cyndrical Shell, Physics Forums, published on Oct. 22, 2013 on physicsforums.com, article retrieved on Apr. 14, 2018, retrieved from the Internet URL: <https://www.physicsforums.com/threads/electric-field-due-to-half-cylinder.718319/>.*

* cited by examiner

Primary Examiner — Jennifer Rivard
Assistant Examiner — Alison M Ofstun

(57) **CLAIM**

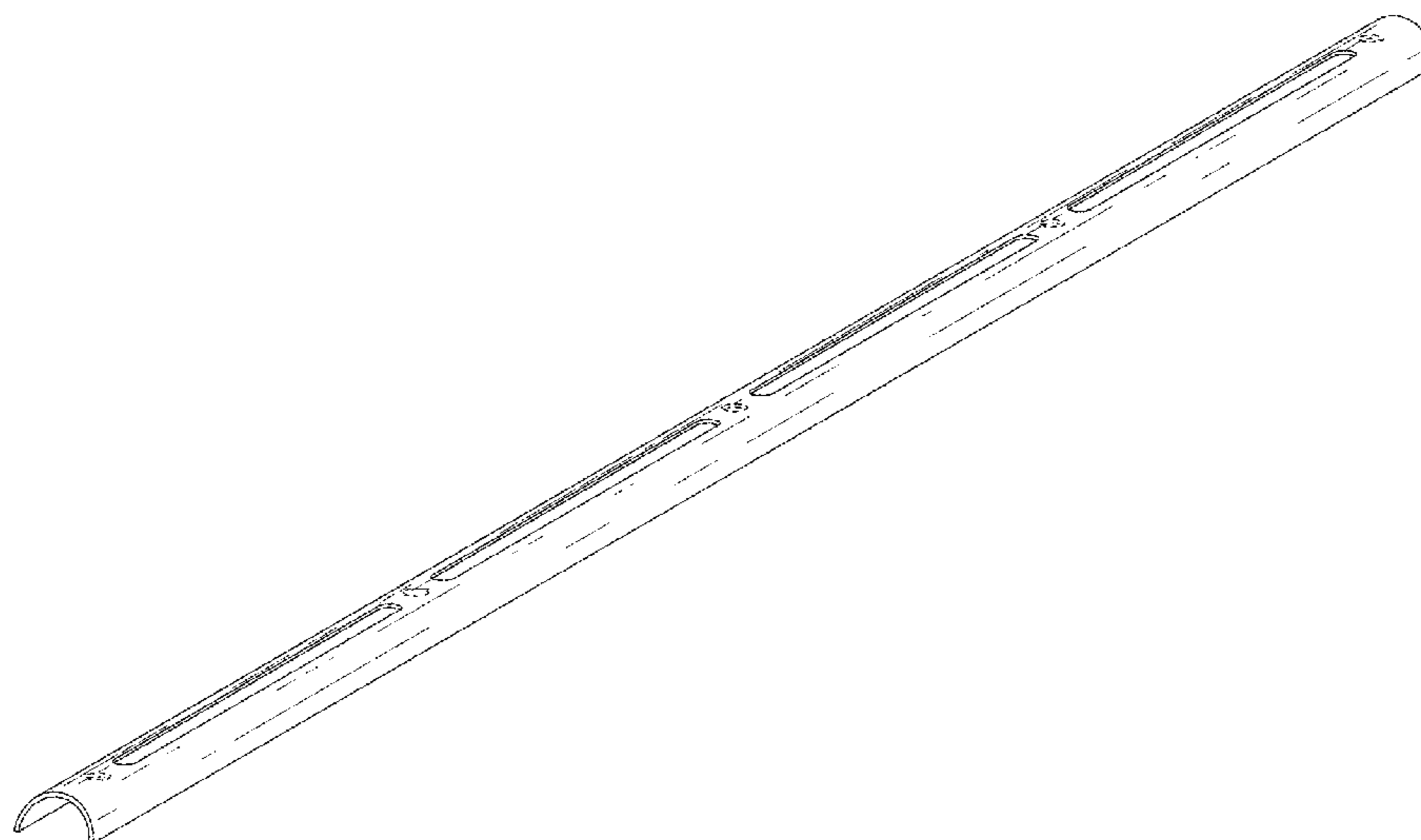
The ornamental design for a strut, as shown and described.

DESCRIPTION

FIG. 1 is a top side perspective view of a strut showing my new design;
FIG. 2 is a bottom side perspective view thereof;
FIG. 3 is a left side view thereof;
FIG. 4 is a right side view thereof;
FIG. 5 is a front view thereof;
FIG. 6 is a back view thereof;
FIG. 7 is a top view thereof;
FIG. 8 is a bottom view thereof; and,
FIG. 9 is a top side perspective view of thereof, illustrating an environment in which the claimed design may be used. The broken lines are shown for the purpose of illustrating parts of the article, as well as environmental subject matter, none of which form part of the claimed design.

1 Claim, 3 Drawing Sheets

- (56) **References Cited**
U.S. PATENT DOCUMENTS
4,576,364 A * 3/1986 O’Fearn E04H 15/003
256/23
4,886,228 A * 12/1989 Kennedy H02G 3/24
24/115 A
6,044,602 A * 4/2000 Canavan E04B 7/12
52/200
D456,531 S * 4/2002 O’Hagin D25/140
D473,128 S * 4/2003 Costa D8/396
D479,885 S * 9/2003 O’Hagin D25/143
D563,771 S 3/2008 Prechtel et al.
D599,193 S * 9/2009 Meyer D8/354
D599,194 S 9/2009 Meyer et al.
D605,314 S * 12/2009 Polston D25/199
7,651,056 B2 1/2010 Tjerrild



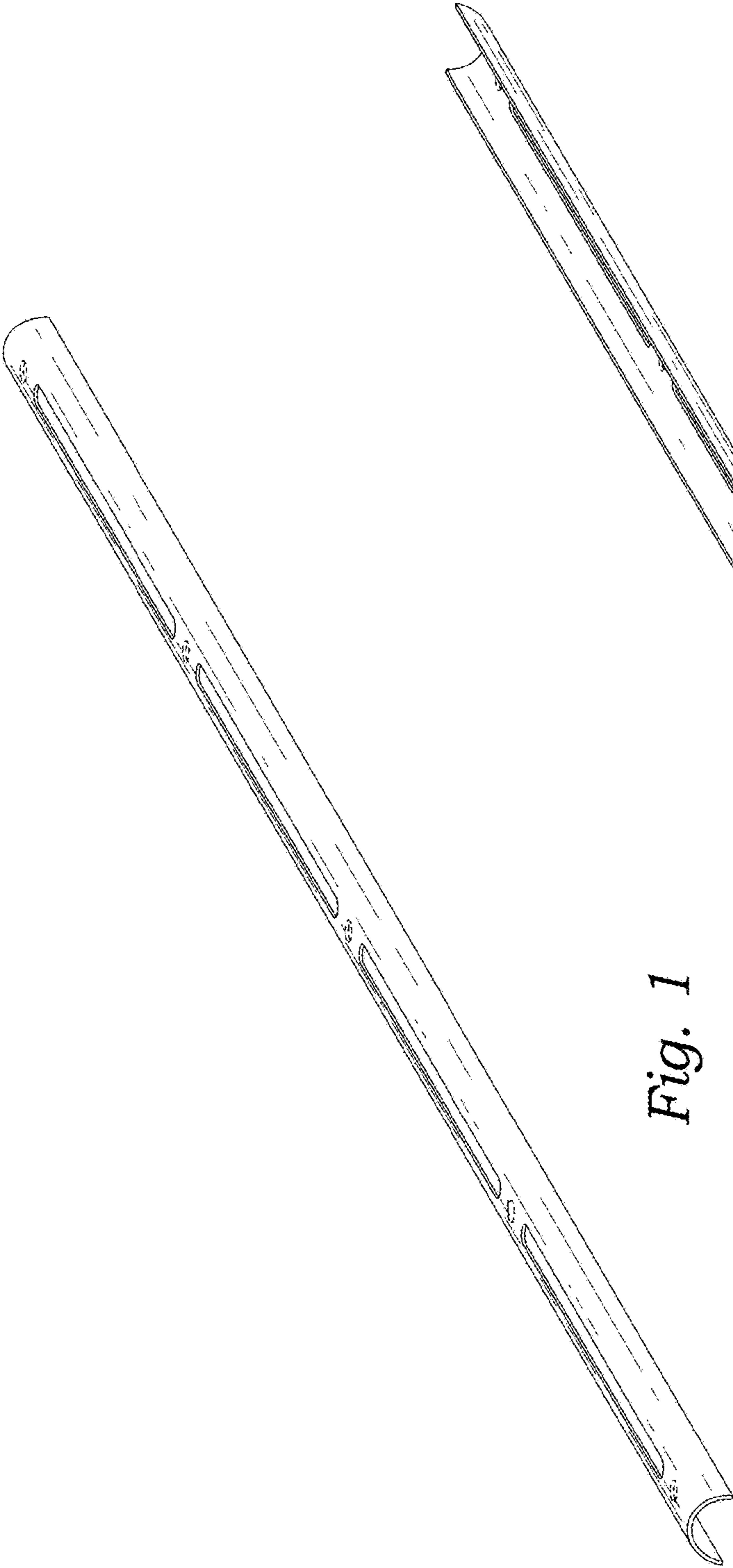


Fig. 1

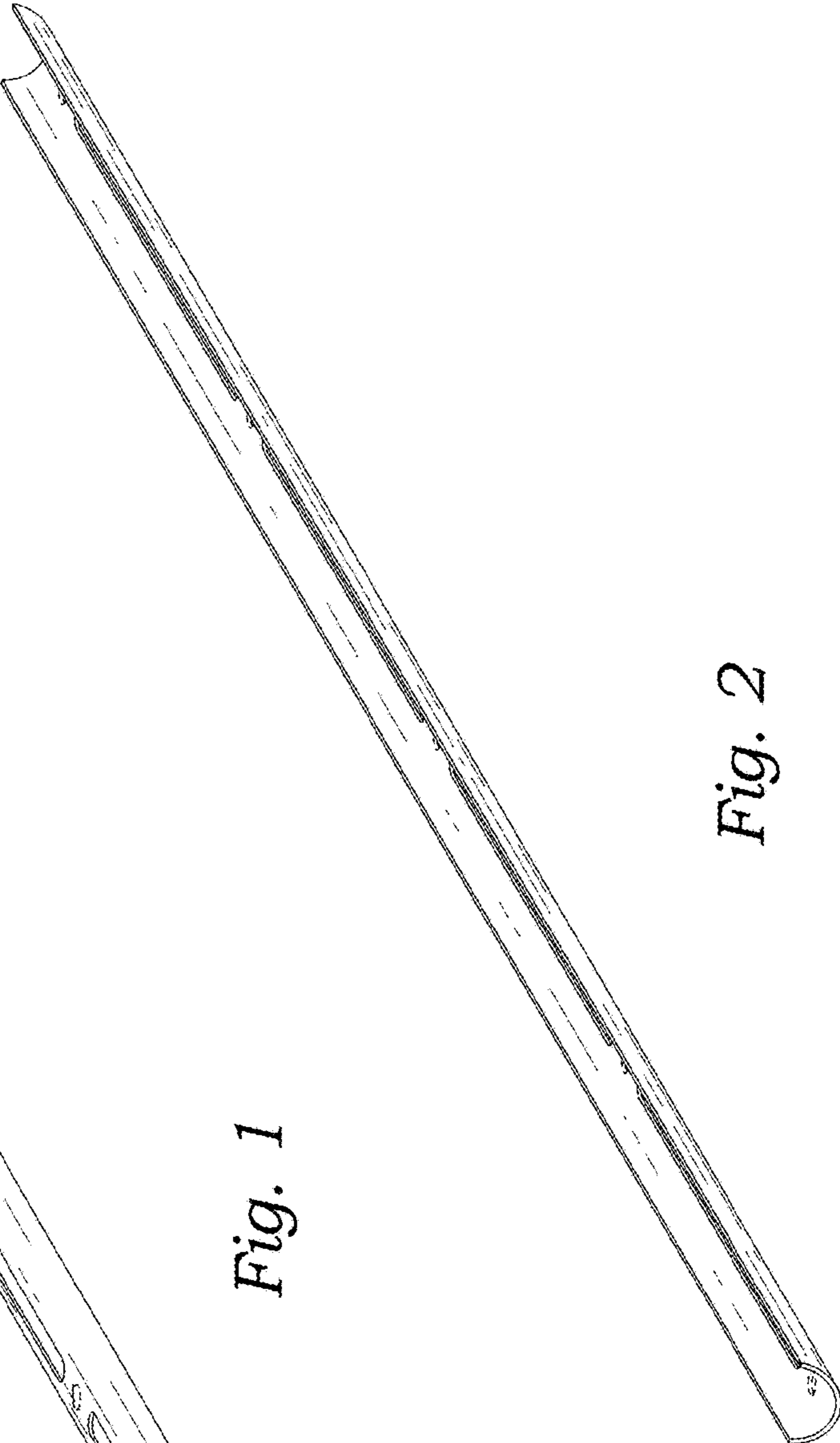


Fig. 2

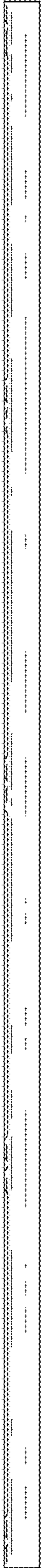


Fig. 3



Fig. 4



Fig. 5



Fig. 6

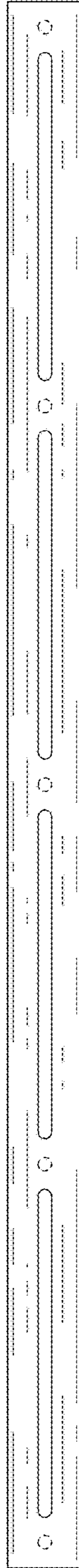


Fig. 7

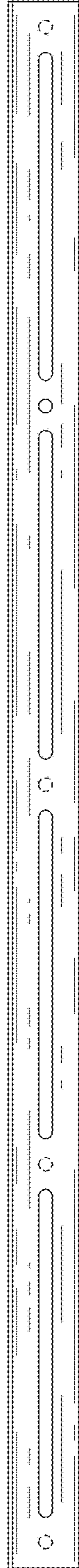


Fig. 8

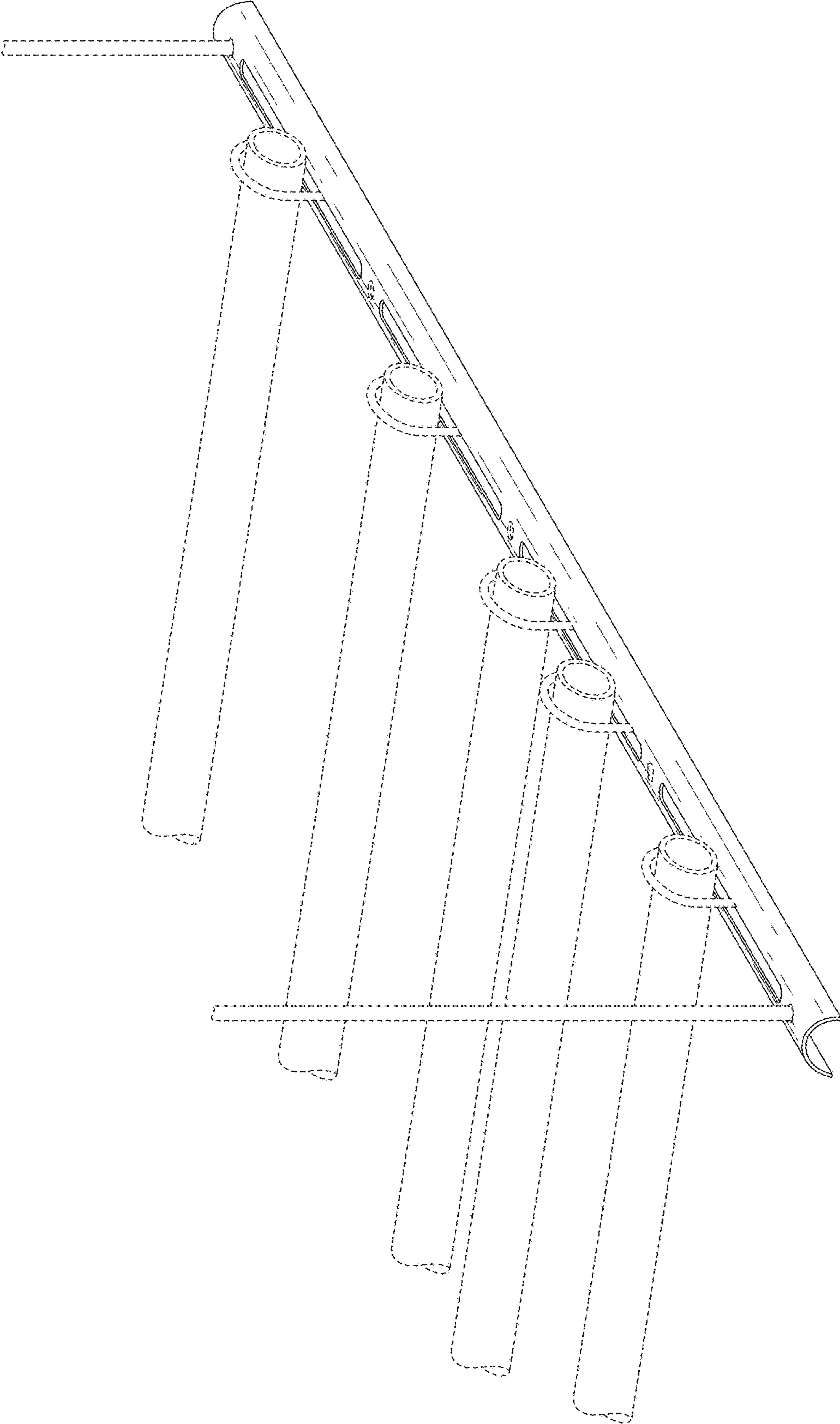


Fig. 9