



US00D830152S

(12) **United States Design Patent**
Ito et al.

(10) **Patent No.:** **US D830,152 S**
(45) **Date of Patent:** **** Oct. 9, 2018**

- (54) **SPACER WITH BRACKET**
- (71) Applicant: **SMC CORPORATION**, Tokyo (JP)
- (72) Inventors: **Shinichi Ito**, Toride (JP); **Michihiro Hanada**, Tsukubamirai (JP)
- (73) Assignee: **SMC CORPORATION**, Tokyo (JP)
- (**) Term: **15 Years**

D770,345 S * 11/2016 Hult D12/180
 D770,346 S * 11/2016 Hult D12/180
 D772,042 S * 11/2016 Polovin D8/356
 (Continued)

FOREIGN PATENT DOCUMENTS

CN 304398606 * 12/2017
 JP 1434473 S 2/2012
 JP 1434795 S 2/2012
 (Continued)

- (21) Appl. No.: **29/599,292**
- (22) Filed: **Mar. 31, 2017**

OTHER PUBLICATIONS

<https://www.smcusa.com/products/Y-00-A-Spacer-Attachment-87777> Retrieved Apr. 11, 2018 (Year: 2018).*
 (Continued)

(30) **Foreign Application Priority Data**

- Oct. 11, 2016 (JP) 2016-021997
- (51) **LOC (11) Cl.** **08-05**
- (52) **U.S. Cl.**
USPC **D8/354**
- (58) **Field of Classification Search**
USPC D8/349, 354, 356, 363, 367, 380, 382,
D8/384, 394, 396; D12/180; D23/354,
D23/385, 386, 499
CPC F15B 21/04; F15B 21/048; F16L 17/06;
F16L 23/04; F16L 23/12
See application file for complete search history.

Primary Examiner — Susan Bennett Hattan
Assistant Examiner — Leanne Was-Englehart
 (74) *Attorney, Agent, or Firm* — Birch, Stewart, Kolasch & Birch, LLP

(57) **CLAIM**

The ornamental design for a spacer with bracket, as shown and described.

DESCRIPTION

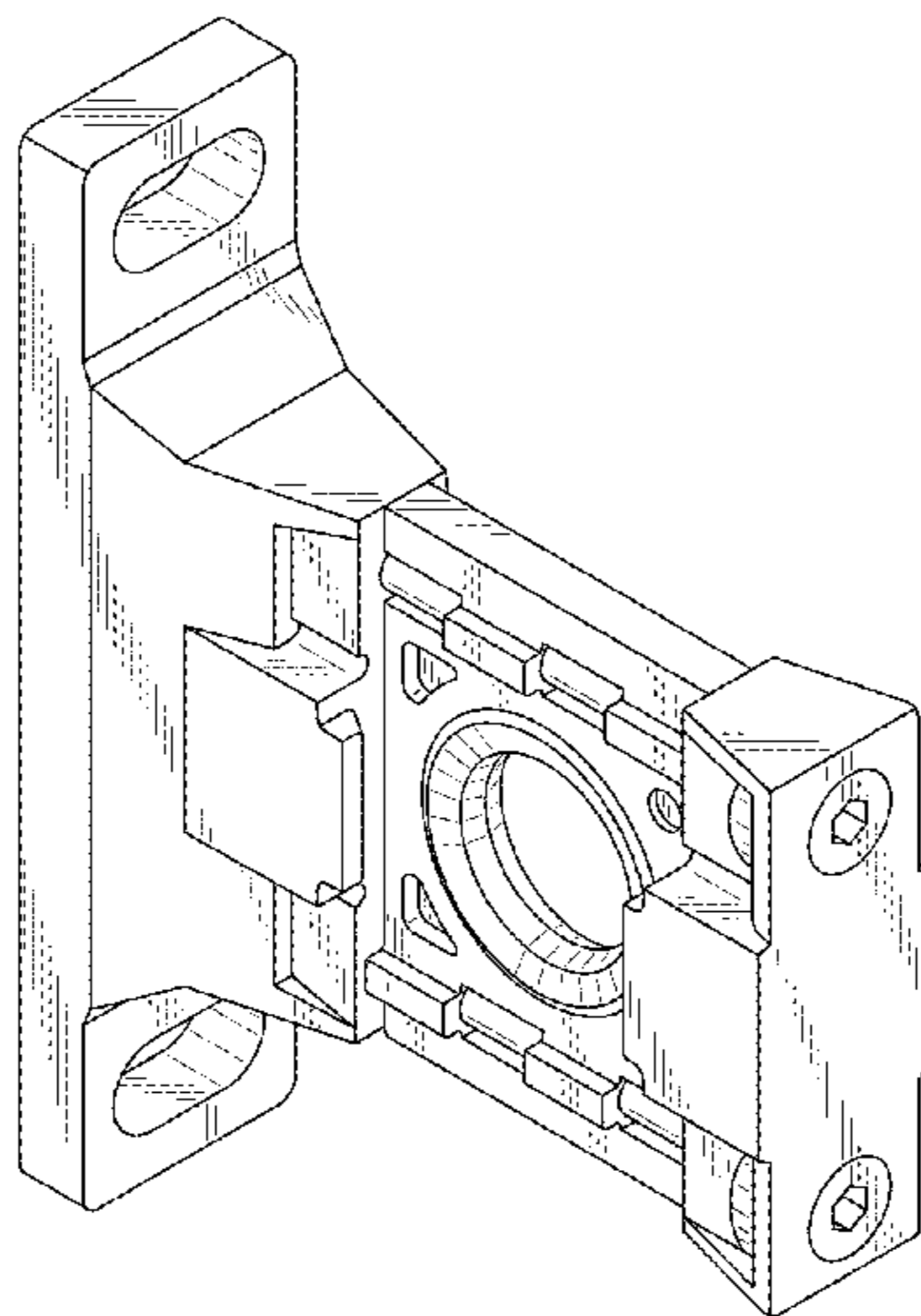
FIG. 1 is a front, top and left side perspective view of a spacer with bracket showing our new design;
 FIG. 2 is a rear, bottom and right side perspective view thereof;
 FIG. 3 is a front view thereof;
 FIG. 4 is a rear view thereof;
 FIG. 5 is a top plan view thereof;
 FIG. 6 is a bottom plan view thereof;
 FIG. 7 is a left side view thereof; and,
 FIG. 8 is a right side view thereof.
 The broken lines depict portions of the spacer with bracket that form no part of the claimed design.

(56) **References Cited**

U.S. PATENT DOCUMENTS

- D279,466 S * 7/1985 Eberhart D12/180
- D499,957 S * 12/2004 Friedline D8/380
- D525,181 S * 7/2006 Horner D12/180
- D545,737 S * 7/2007 Sherman D12/180
- D576,932 S * 9/2008 Strehler D12/180
- D696,097 S * 12/2013 Wada D8/354
- D696,098 S * 12/2013 Wada D8/354
- D696,099 S * 12/2013 Wada D8/354
- D696,101 S * 12/2013 Wada D8/354
- D741,162 S * 10/2015 Leng D8/396
- D758,177 S * 6/2016 Riccione D8/396

1 Claim, 8 Drawing Sheets



(56)

References Cited

U.S. PATENT DOCUMENTS

D801,156 S * 10/2017 Hung D8/367

FOREIGN PATENT DOCUMENTS

JP	1544045 S	2/2016
JP	1544418 S	2/2016
JP	D1592127	* 12/2017
JP	D1592128	* 12/2017

OTHER PUBLICATIONS

<https://www.smcusa.com/products/Y-00T-A-Spacer-Attachment-with-Bracket-87783> Retrieved Apr. 11, 2018 (Year: 2018).*

* cited by examiner

FIG. 1

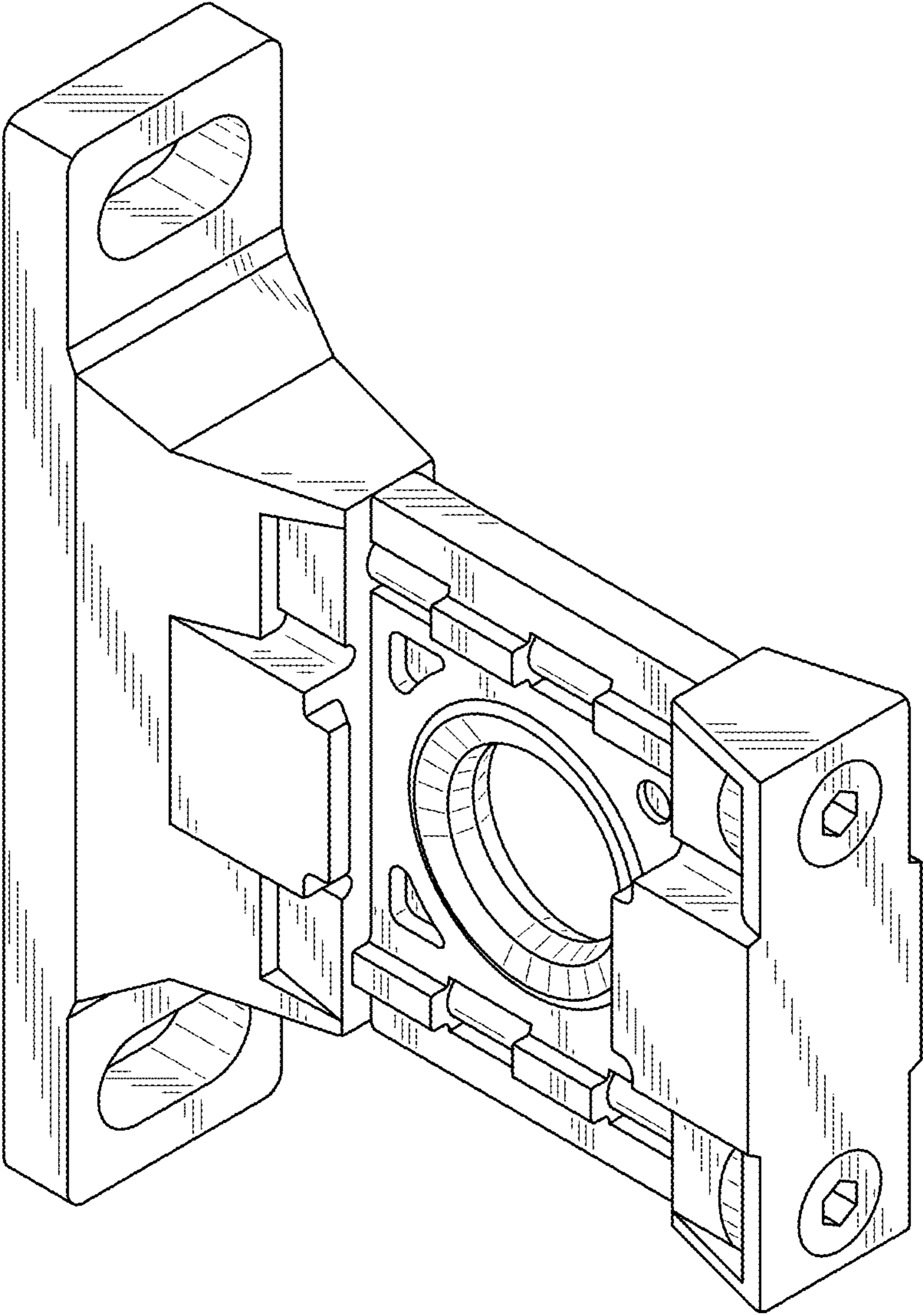


FIG. 2

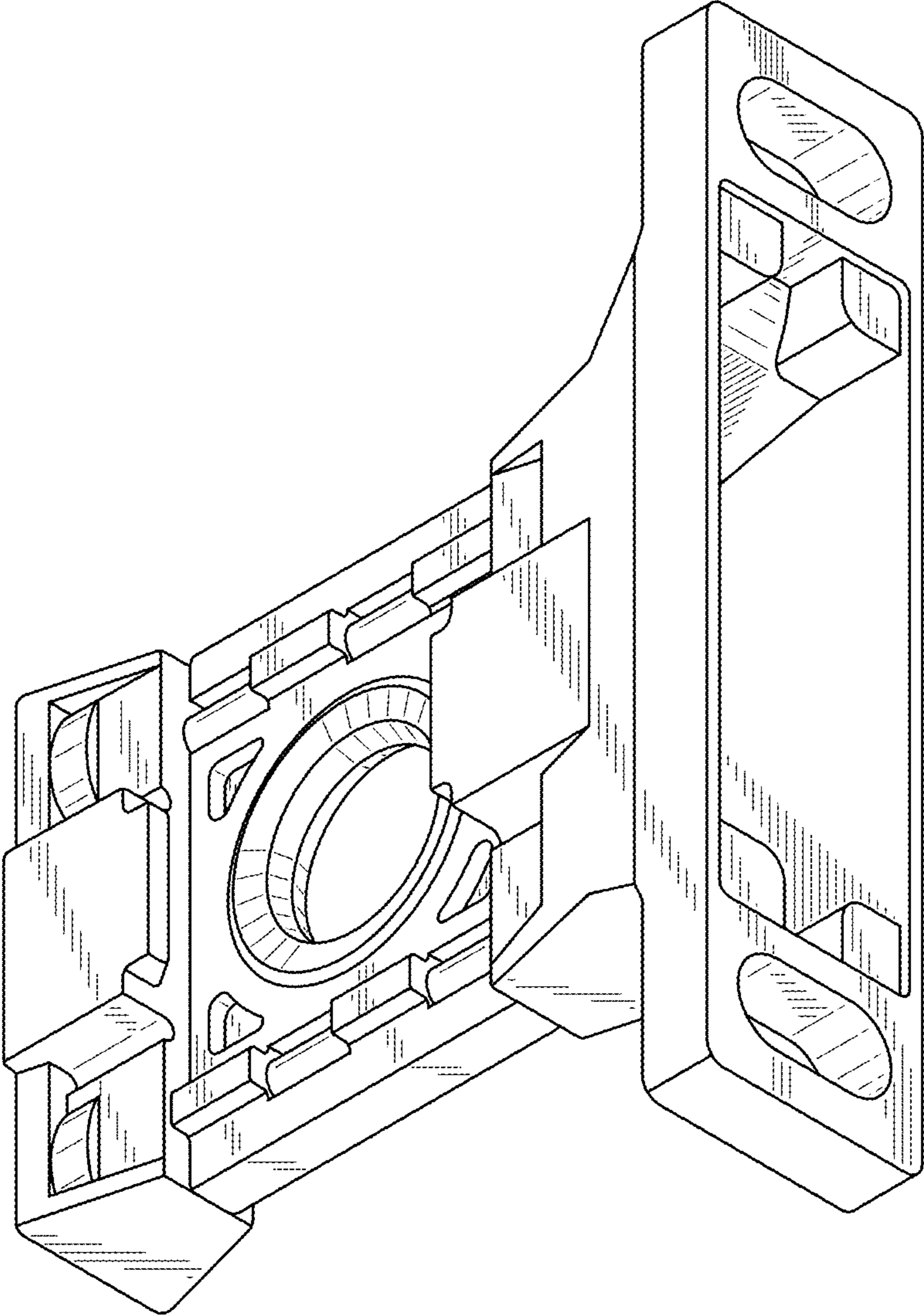


FIG. 3

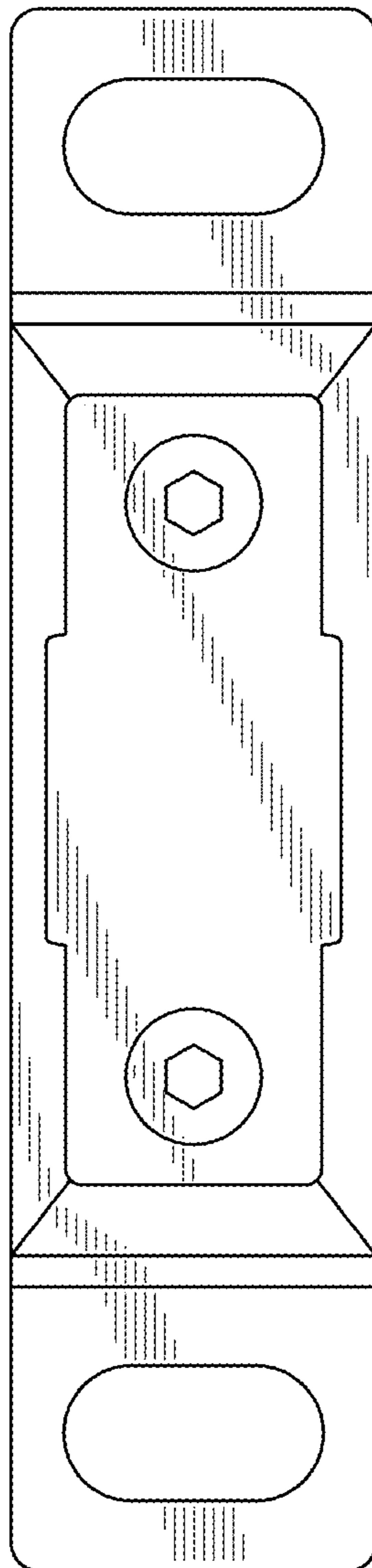


FIG. 4

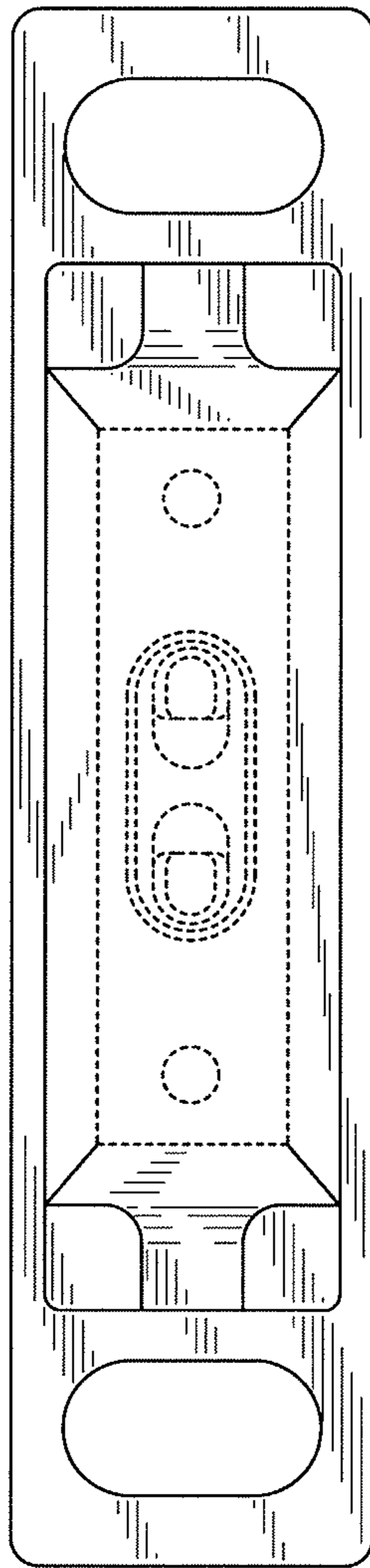


FIG. 5

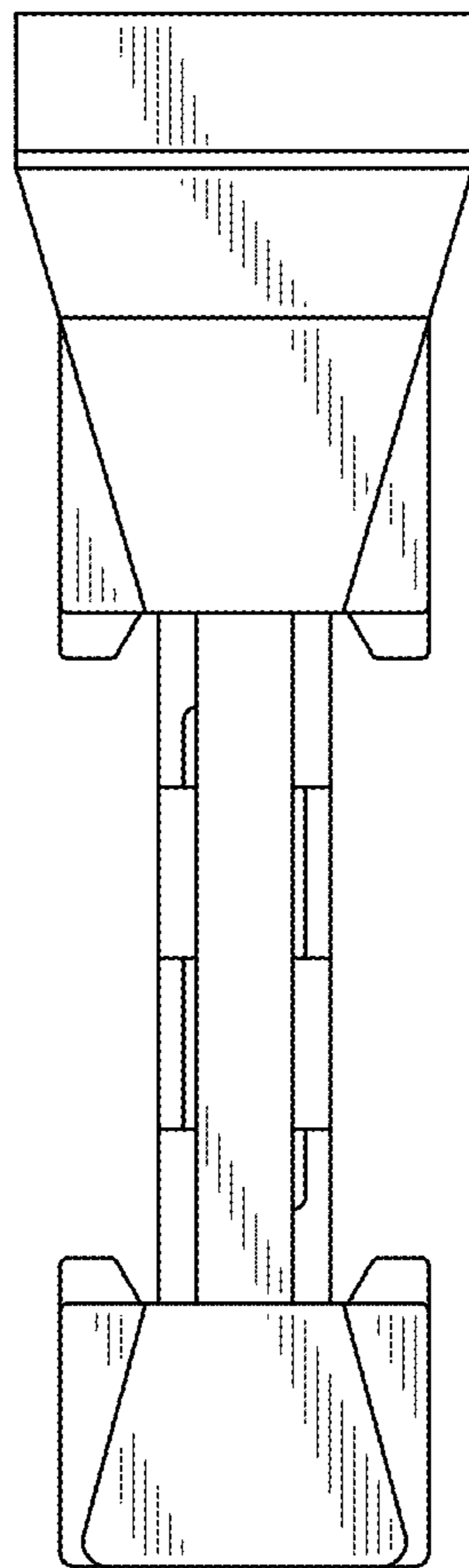


FIG. 6

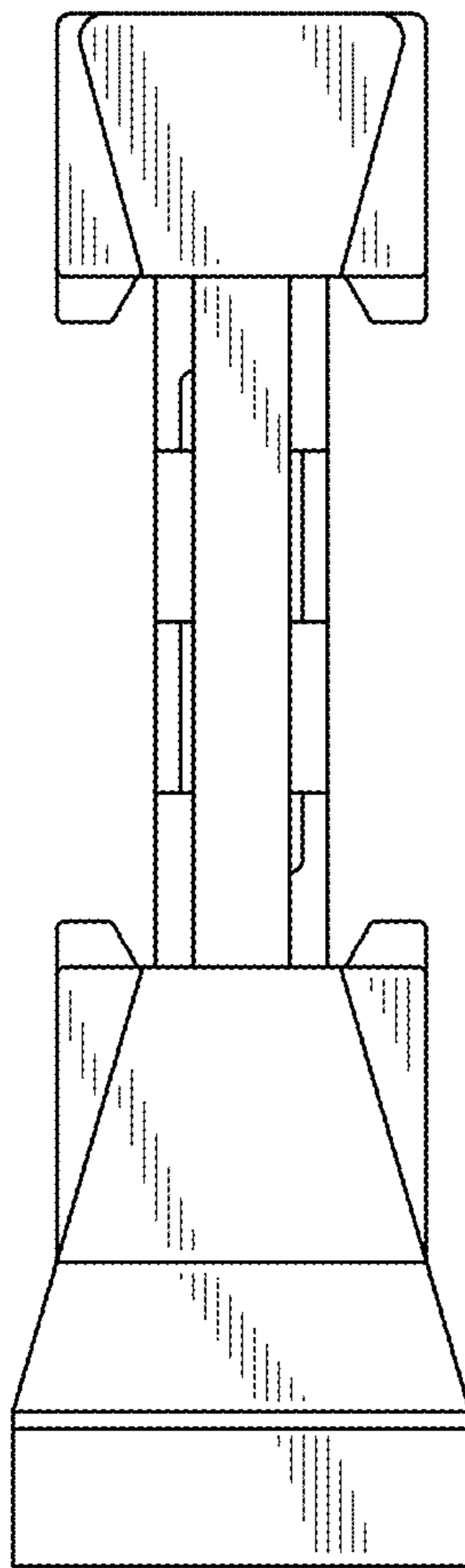


FIG. 7

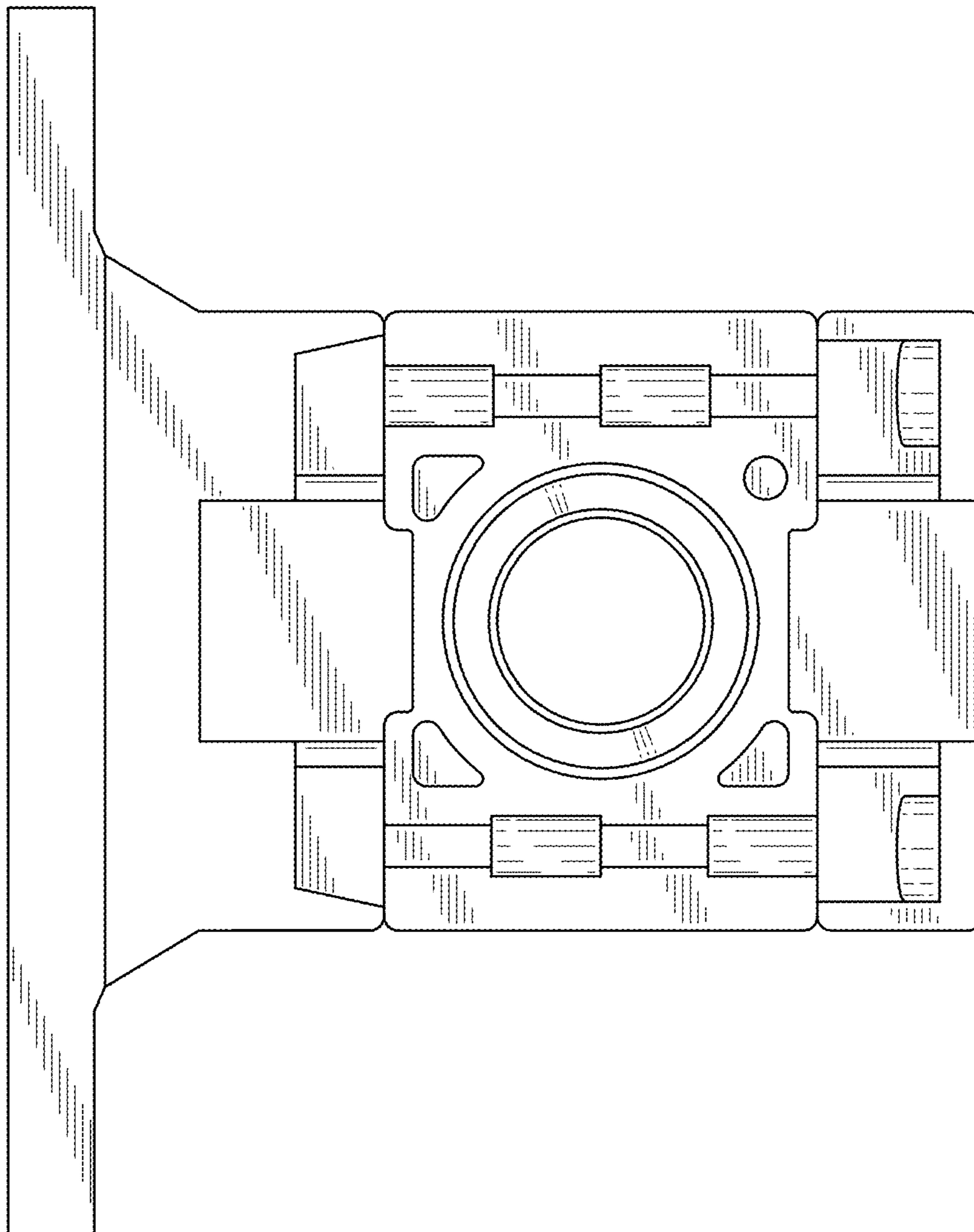


FIG. 8

