



US00D830150S

(12) **United States Design Patent** (10) **Patent No.:** **US D830,150 S**  
**Lin** (45) **Date of Patent:** **\*\* Oct. 9, 2018**

- (54) **TOOL HANDLE**
- (71) Applicant: **Hung-Wei Lin**, Taichung (TW)
- (72) Inventor: **Hung-Wei Lin**, Taichung (TW)
- (\*\*) Term: **15 Years**
- (21) Appl. No.: **29/592,077**
- (22) Filed: **Jan. 26, 2017**
- (51) **LOC (11) Cl.** ..... **08-05**
- (52) **U.S. Cl.**  
USPC ..... **D8/107**
- (58) **Field of Classification Search**  
USPC ..... D8/14, 45, 47, 51, 82, 83, 84, 75, 78,  
D8/107, 300, 303, 376; D21/684, 662,  
D21/725; D32/49, 51; D24/133;  
D7/395; D4/138; D6/709.21  
CPC ..... Y10T 16/47; Y10T 16/498; B25G 1/102;  
B25G 1/105; B25G 1/125; B25F 1/00  
See application file for complete search history.

- D617,625 S \* 6/2010 Haining ..... D8/107
- D721,510 S \* 1/2015 Hagerty ..... D6/303
- D754,496 S \* 4/2016 Lovell ..... D7/684

\* cited by examiner

*Primary Examiner* — Philip S Hyder  
(74) *Attorney, Agent, or Firm* — Muncy, Geissler, Olds & Lowe, P.C.

(57) **CLAIM**

I claim the ornamental design for a tool handle, as shown and described.

**DESCRIPTION**

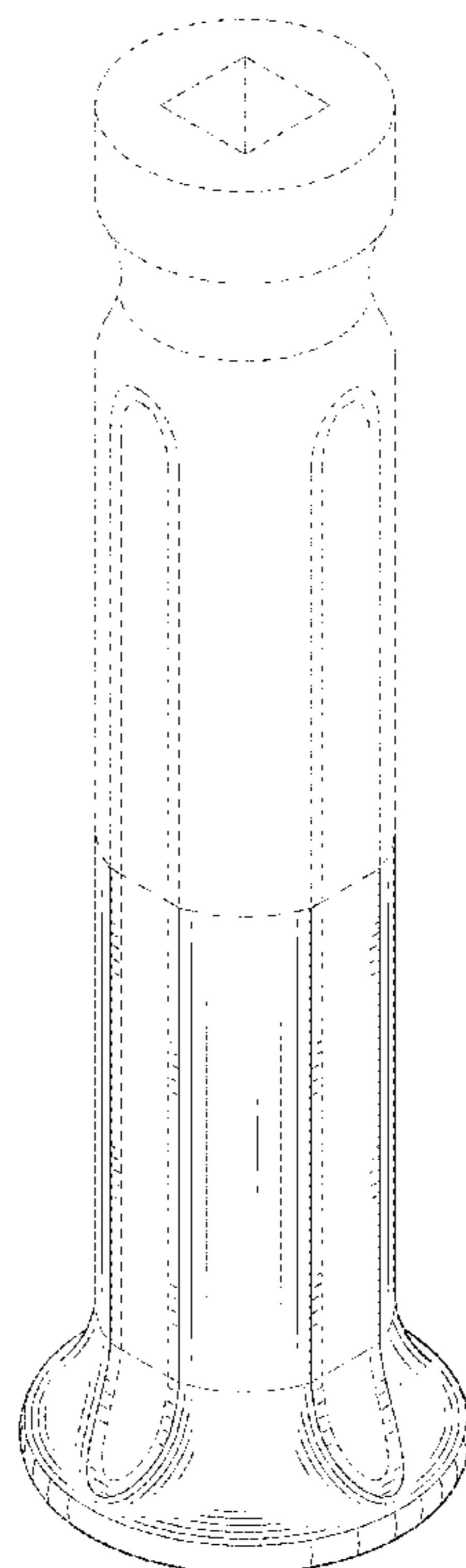
FIG. 1 is a right, front, top perspective view of a tool handle showing my new design;  
FIG. 2 is a front elevational view thereof, the rear being a mirror image;  
FIG. 3 is a left side view thereof, the right side being a mirror image;  
FIG. 4 is a top plan view thereof;  
FIG. 5 is a bottom plan view thereof;  
FIG. 6 is a left, rear, bottom perspective view thereof; and,  
FIG. 7 is a cross-sectional view of the tool handle, taken along line A-A in FIG. 2.

The broken lines in the drawings illustrate portions of the tool handle which form no part of the claimed design.  
The dot-dashed line defines the boundary of claimed and unclaimed objects, and the dot-dashed line forms no part of the claimed design.

**1 Claim, 5 Drawing Sheets**

(56) **References Cited**  
U.S. PATENT DOCUMENTS

- D213,401 S \* 2/1969 Holder ..... D8/14
- D303,887 S \* 10/1989 Reid ..... 52/831
- D323,280 S \* 1/1992 Chen ..... 74/551.9
- 6,228,002 B1 \* 5/2001 Dantolan ..... A63B 15/00  
482/109
- D467,312 S \* 12/2002 Singtoroj ..... D23/250
- D516,405 S \* 3/2006 Saunders ..... D8/107
- D553,938 S \* 10/2007 Shih ..... D8/107



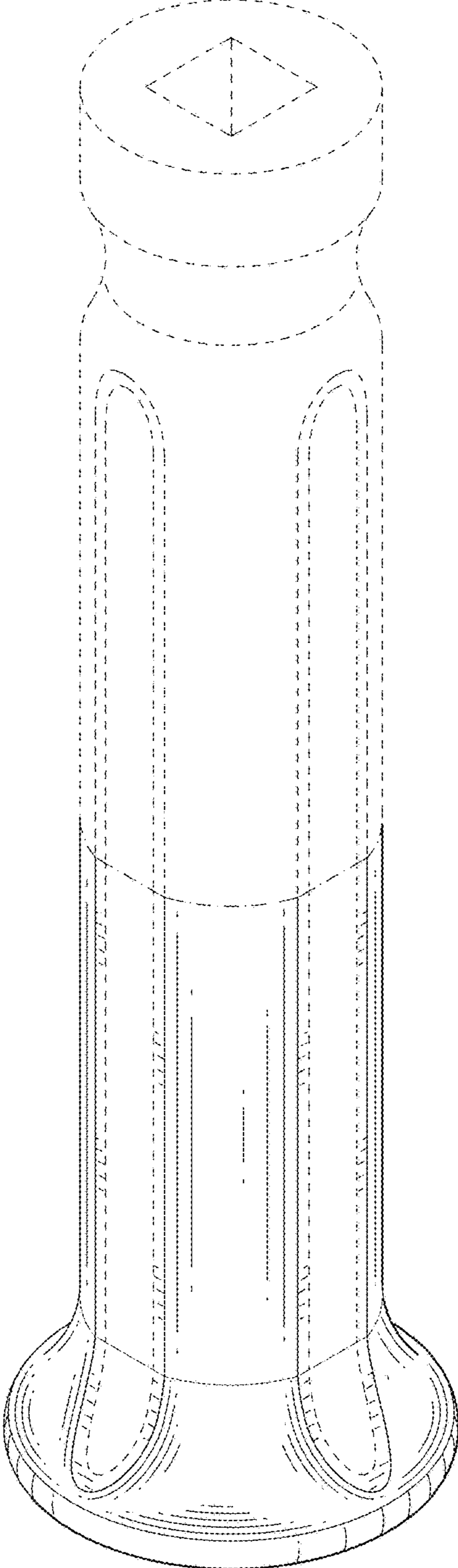


FIG. 1

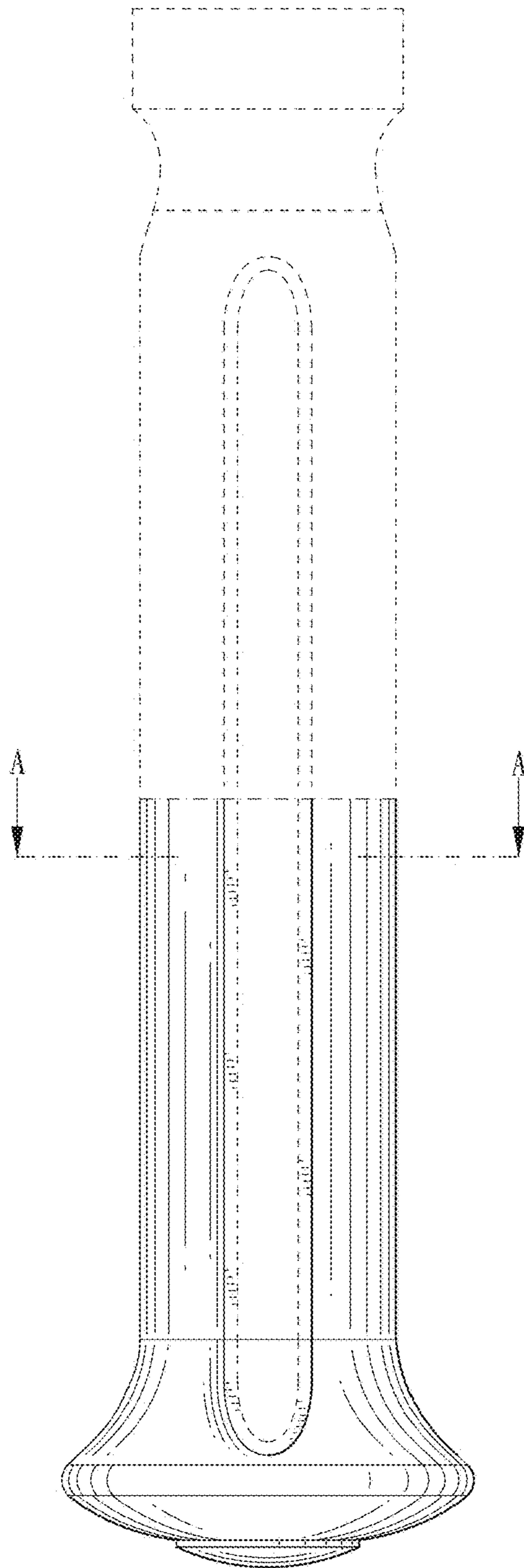


FIG. 2

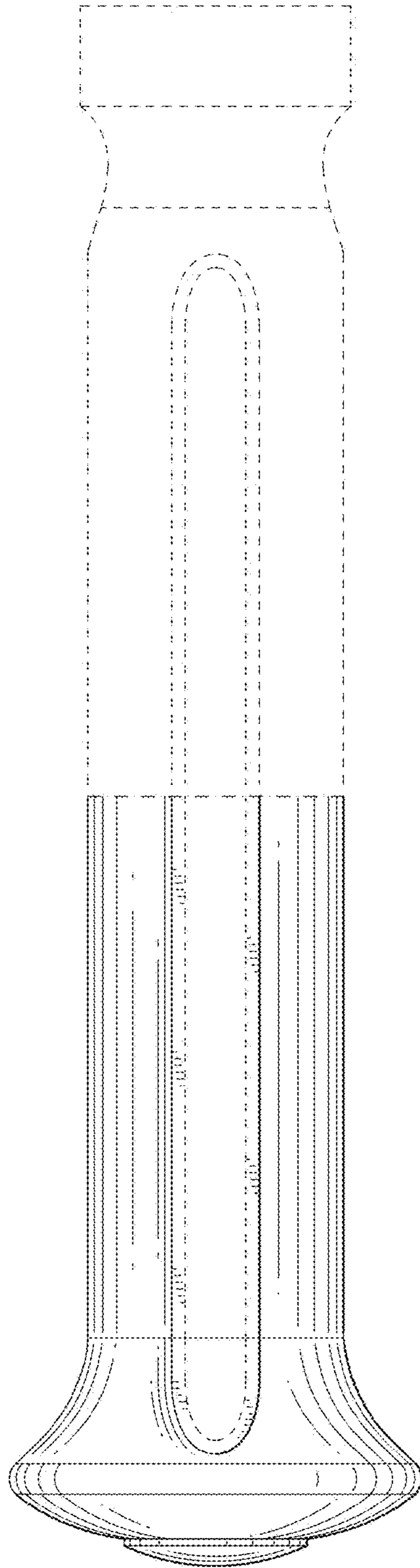


FIG. 3

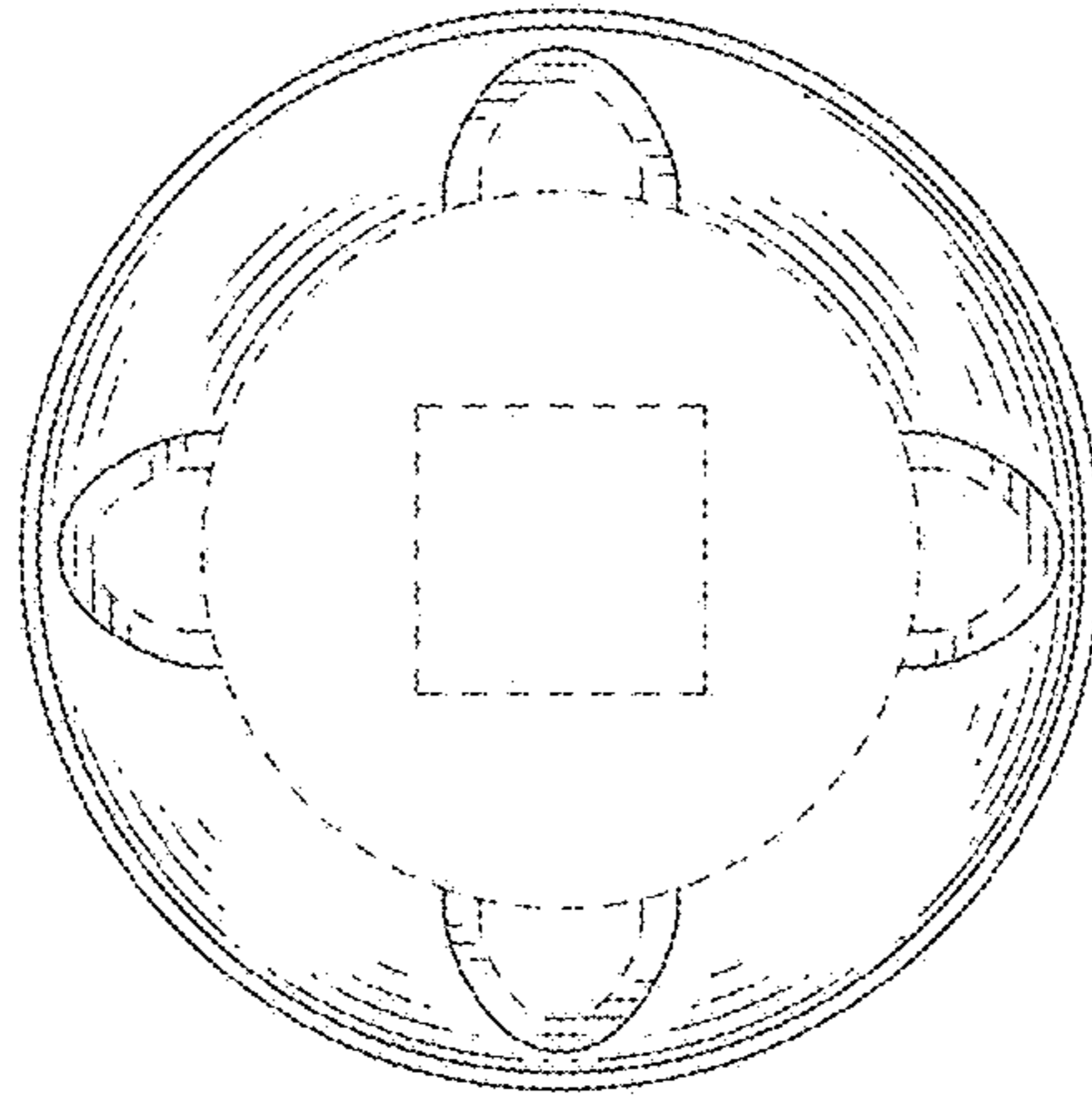


FIG. 4

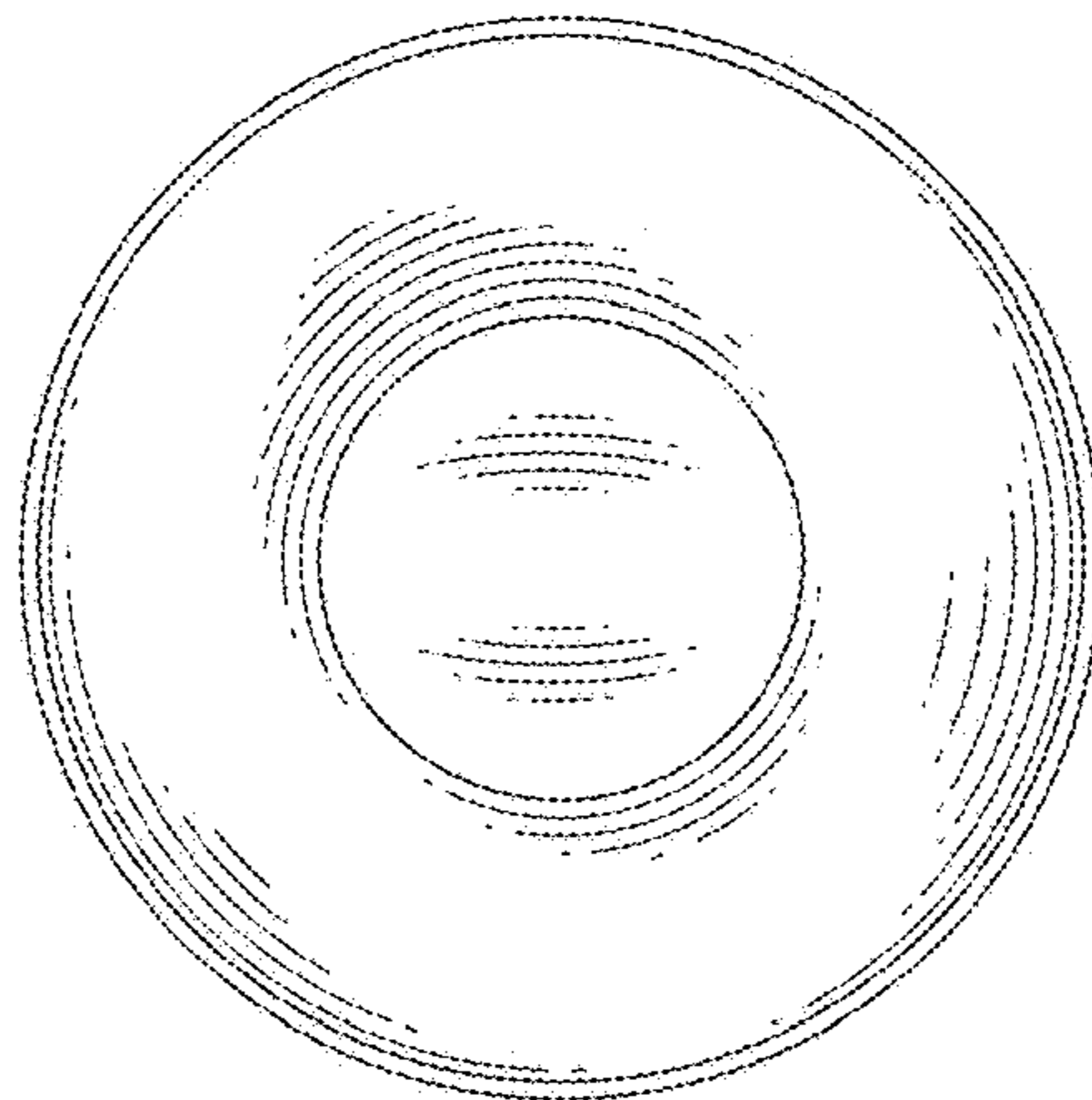


FIG. 5

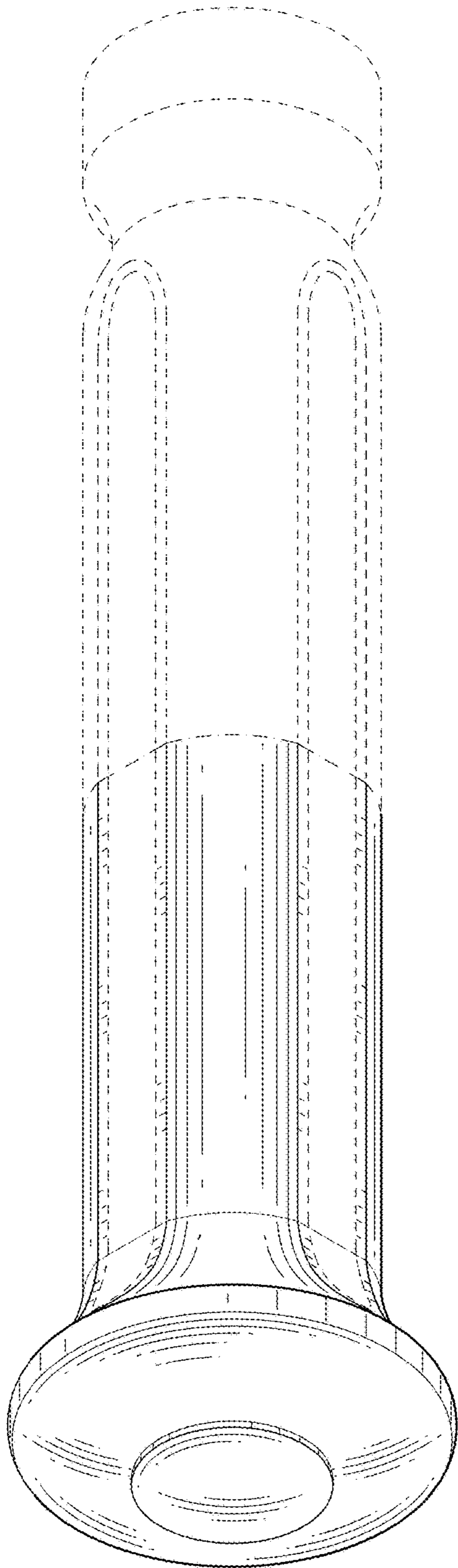


FIG. 6

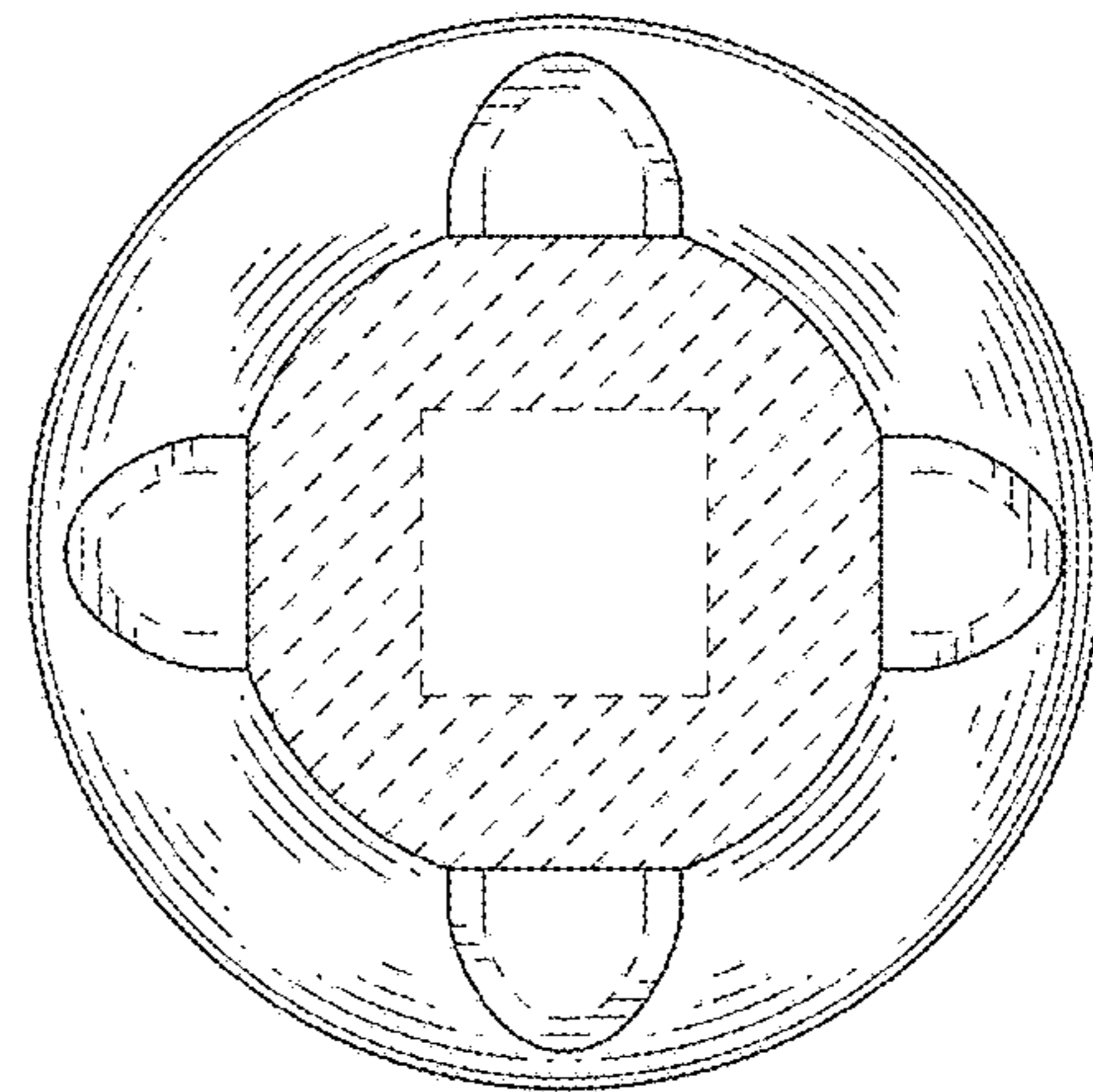


FIG. 7