



US00D830149S

(12) **United States Design Patent** (10) **Patent No.:** **US D830,149 S**
Pippus (45) **Date of Patent:** **** Oct. 9, 2018**

(54) **ACCESSORY HOLDER FOR PAINT TRAY HANDLE**

(71) Applicant: **Troy Pippus**, Winnipeg (CA)

(72) Inventor: **Troy Pippus**, Winnipeg (CA)

(**) Term: **15 Years**

(21) Appl. No.: **29/615,306**

(22) Filed: **Aug. 28, 2017**

(51) **LOC (11) Cl.** **08-05**

(52) **U.S. Cl.**
USPC **D8/71**

(58) **Field of Classification Search**
USPC D8/71, 394, 396, 373; D32/46, 52, 54, D32/53; D6/553, 554, 512
See application file for complete search history.

(56) **References Cited**

U.S. PATENT DOCUMENTS

D32,388 S *	3/1900	Wallace	D8/373
4,121,798 A *	10/1978	Schumacher	A47L 13/512
				24/336
D295,725 S *	5/1988	Shioda	D8/380
D358,691 S *	5/1995	Engle	D32/54
D417,612 S *	12/1999	Jones	D26/138
6,056,253 A *	5/2000	Tripp	A46B 17/02
				248/110
D442,001 S *	5/2001	Loveless	D6/553
D482,489 S *	11/2003	Gary	D26/138
D560,088 S *	1/2008	Tracy	D6/552
D613,921 S *	4/2010	Tsui	D32/52
D619,452 S *	7/2010	Ollila	D8/396

D622,469 S *	8/2010	Nacey	D32/54
D720,612 S *	1/2015	Gilbert	D8/394
D727,656 S *	4/2015	Lim	D6/553
D757,383 S *	5/2016	Abbott	D32/54
D787,173 S *	5/2017	Parnell	D3/10
D791,558 S *	7/2017	Carpio	D8/1
D798,136 S *	9/2017	Pittman	D8/382
D808,255 S *	1/2018	Pittman	D8/396

* cited by examiner

Primary Examiner — Susan Bennett Hattan
Assistant Examiner — Harold E Blackwell, II
(74) *Attorney, Agent, or Firm* — Ryan W. Dupuis; Ade + Company Inc.; Kyle R. Satterthwaite

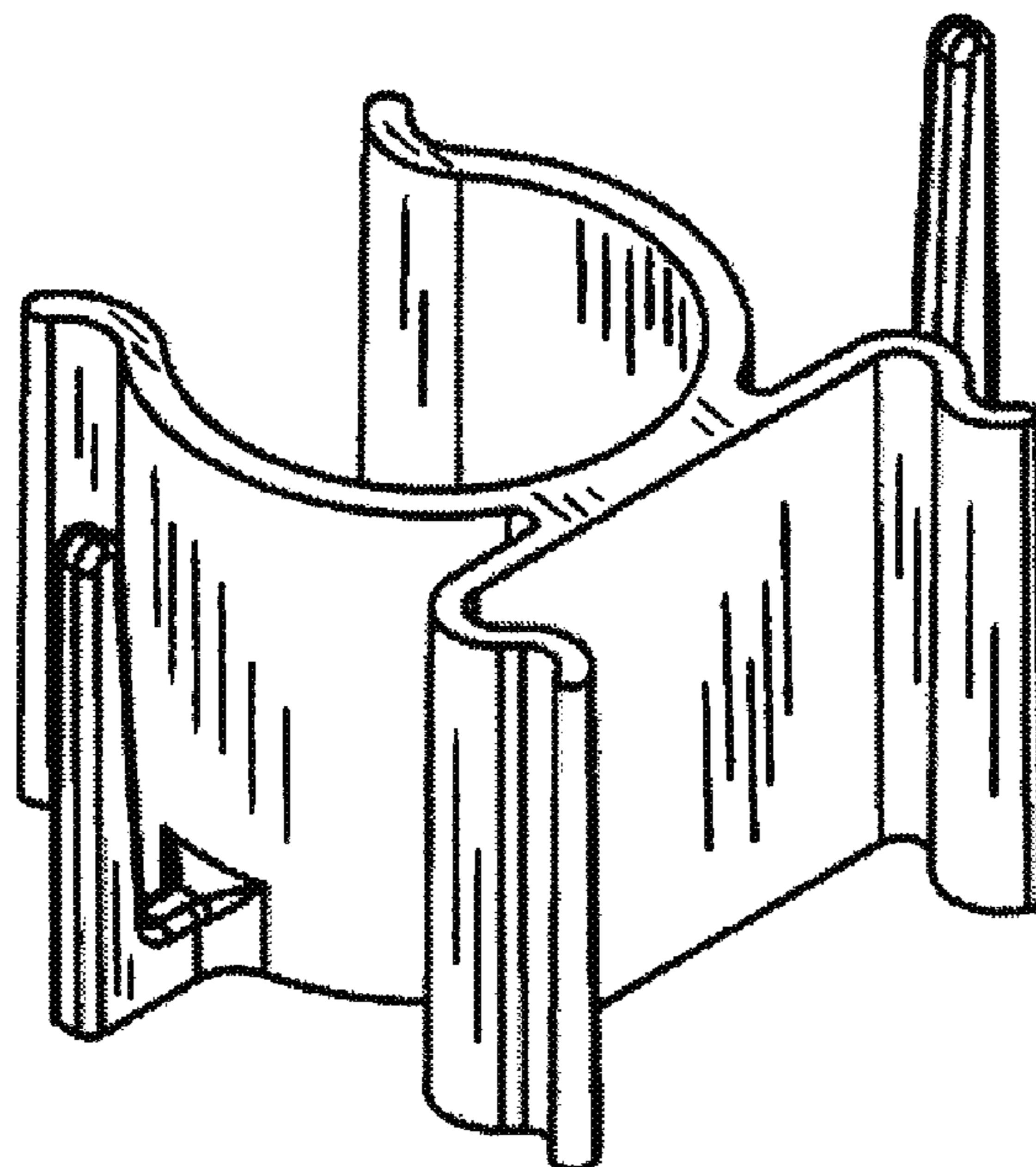
(57) **CLAIM**

The ornamental design for an accessory holder for paint tray handle, as shown and described.

DESCRIPTION

FIG. 1. is a isometric view of the rear side and right side of the accessory holder for paint tray handle;
FIG. 2 is a rear elevational view of the accessory holder for paint tray handle;
FIG. 3 is a bottom plan view of the accessory holder for paint tray handle;
FIG. 4 is a right side elevational view of the accessory holder for paint tray handle, the left side elevational view being a mirror image of the right side view shown; and,
FIG. 5 is an isometric view of the accessory holder for paint tray handle shown supported on a paint tray handle. The paint tray handle shown in broken line forms no part of the design.

1 Claim, 3 Drawing Sheets



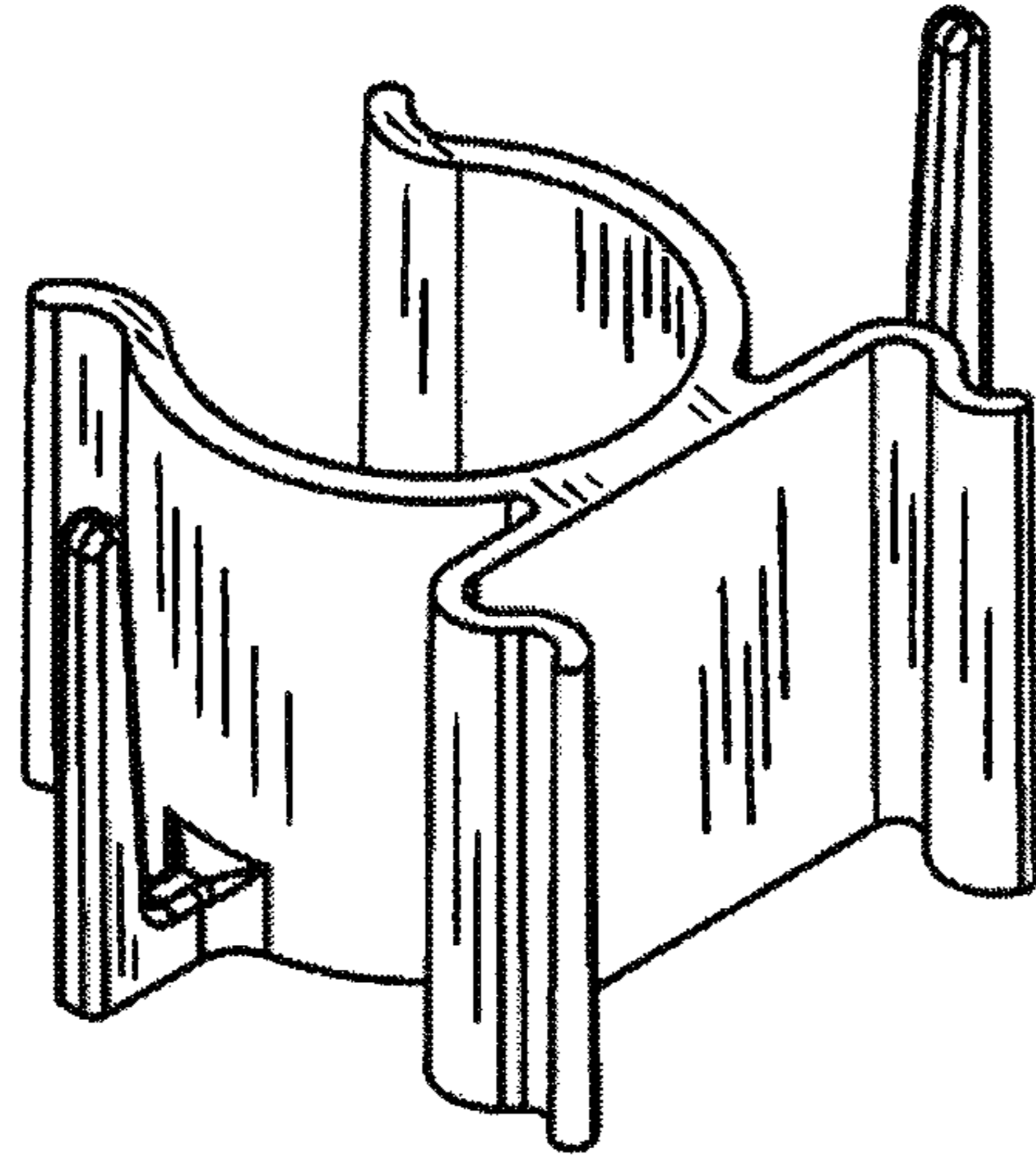


FIG. 1

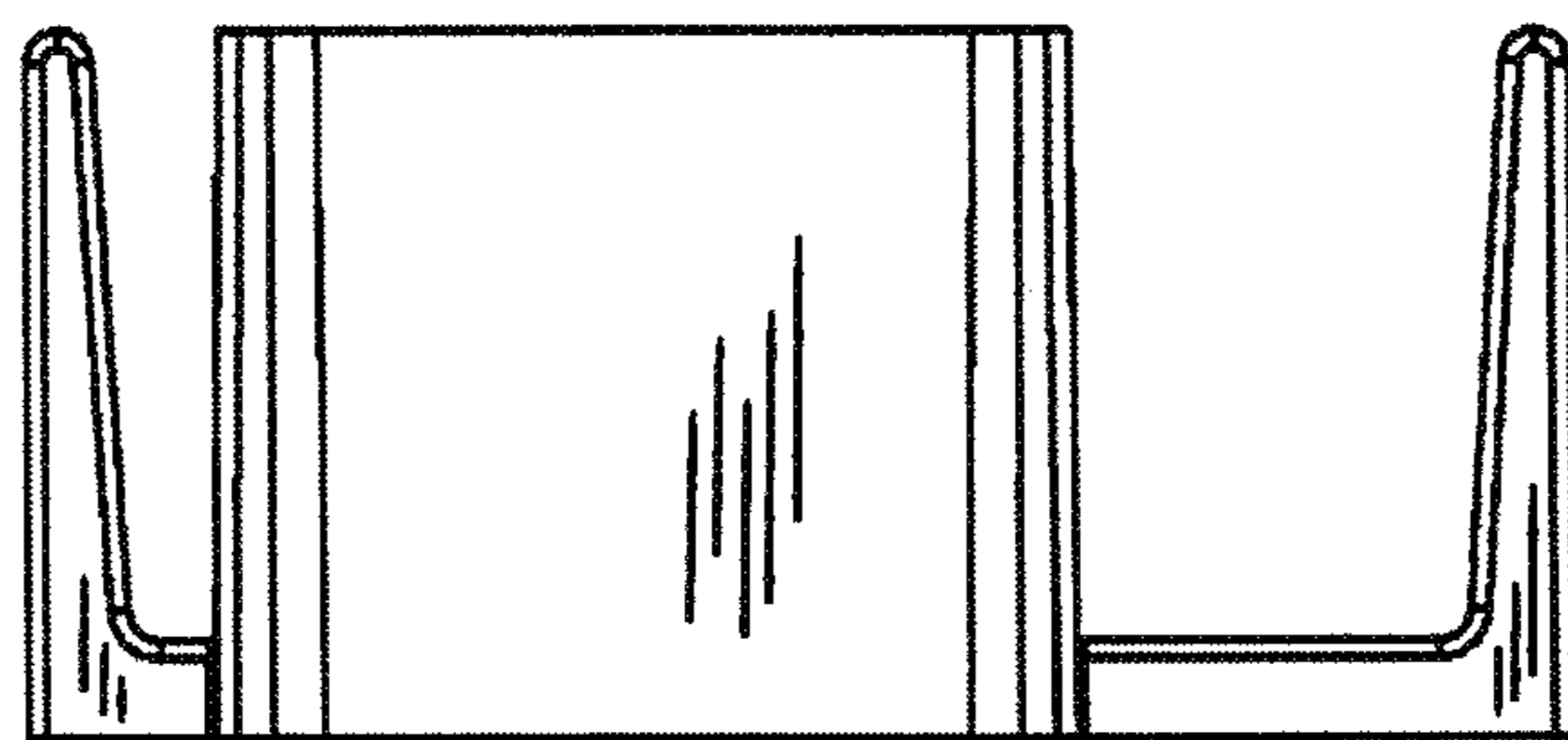


FIG. 2

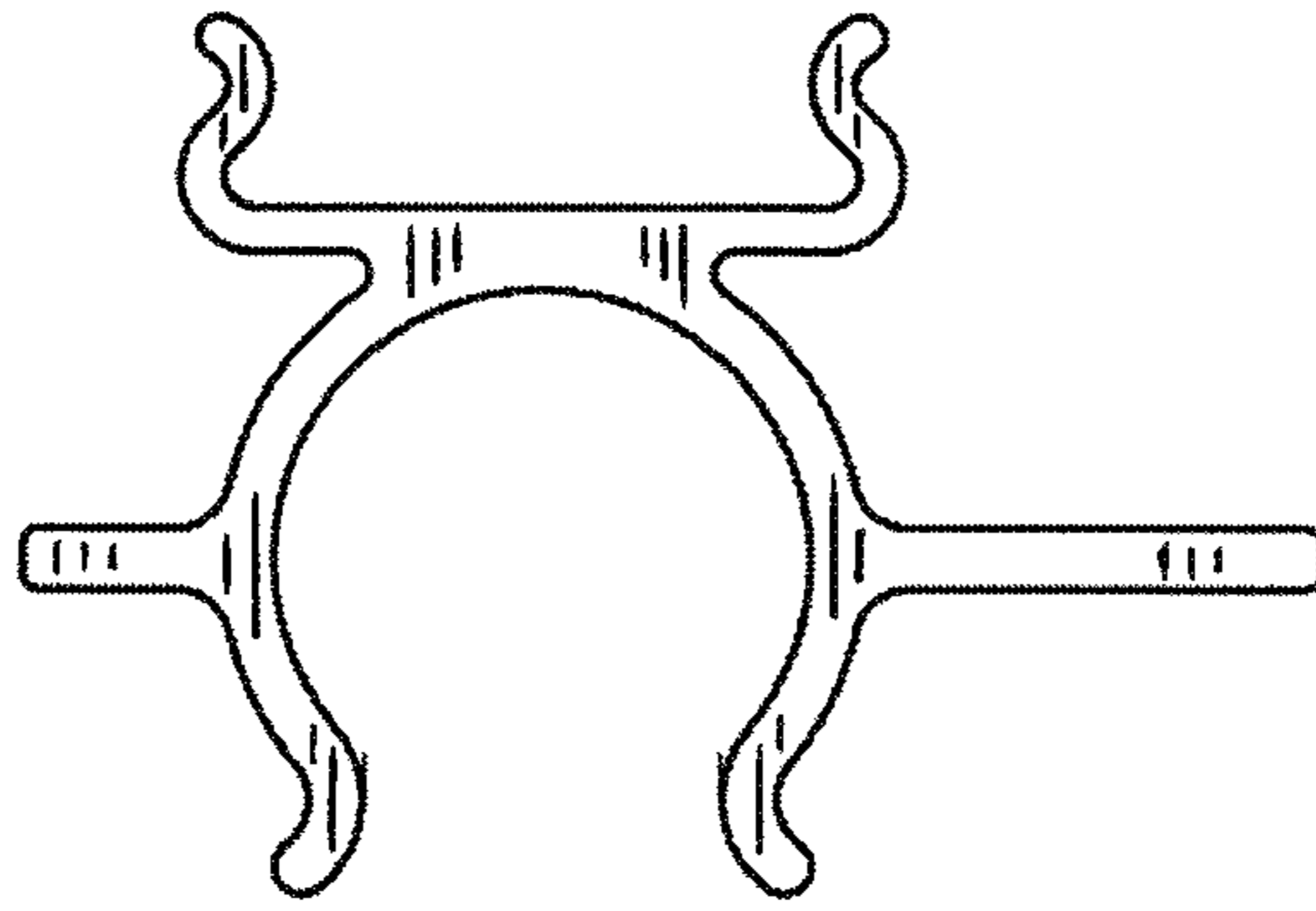


FIG. 3

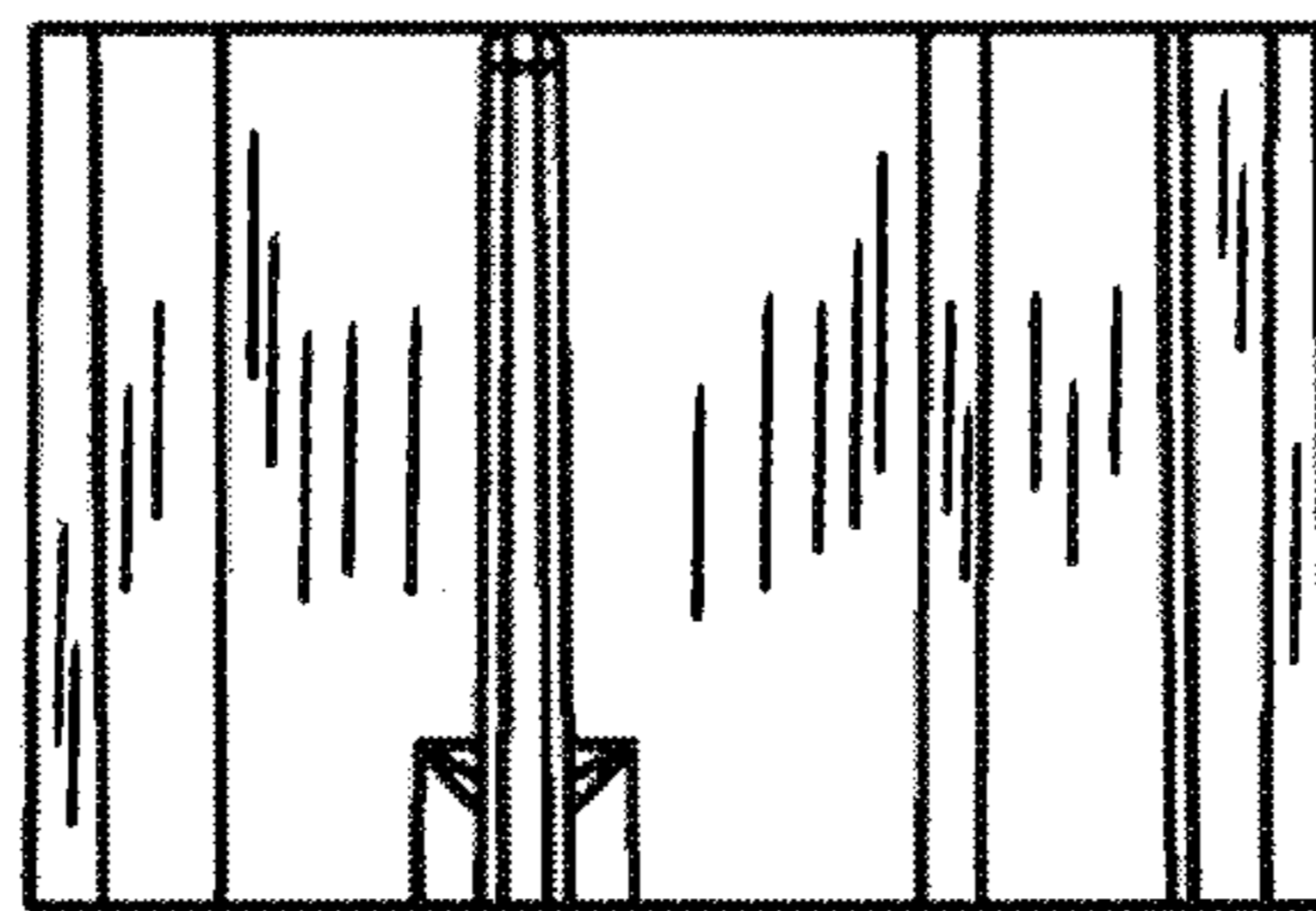


FIG. 4

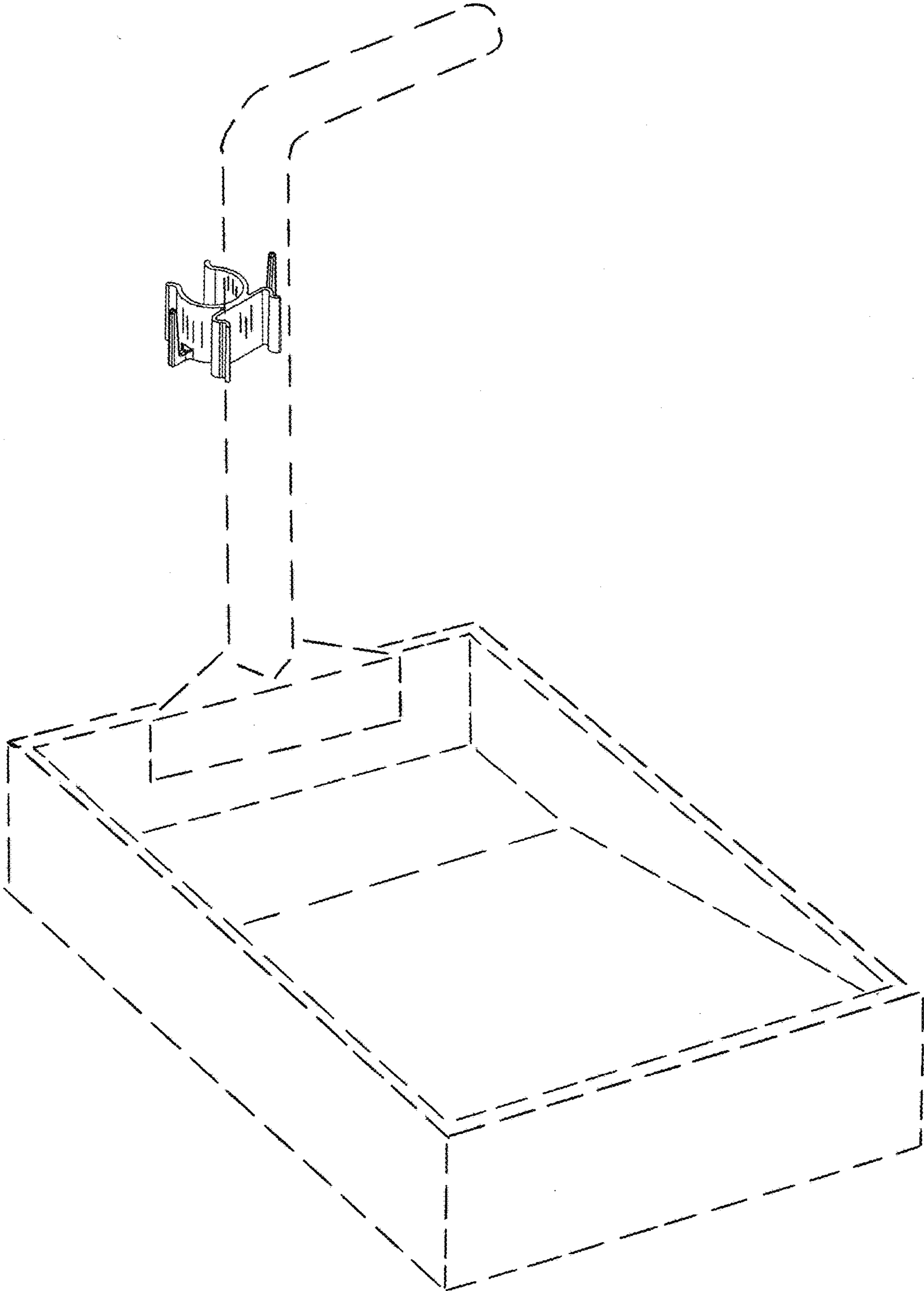


FIG. 5