



US00D830147S

(12) **United States Design Patent** (10) **Patent No.:** **US D830,147 S**  
**Lefavour et al.** (45) **Date of Patent:** **\*\* Oct. 9, 2018**

(54) **DIELESS TOOL HEAD FOR POWER TOOLS**

D408,242 S \* 4/1999 Yamamoto ..... D8/61  
(Continued)

(71) Applicant: **Hubbell Incorporated**, Shelton, CT  
(US)

**OTHER PUBLICATIONS**

(72) Inventors: **John David Lefavour**, Litchfield, NH  
(US); **Thomas Romeo Faucher**,  
Manchester, NH (US); **Lawrence**  
**Brown**, Allentown, NH (US)

International Search Report and Written Opinion mailed in corre-  
sponding PCT Application PCT/US2017/027403 dated Aug. 16,  
2017.

(73) Assignee: **Hubbell Incorporated**, Shelton, CT  
(US)

*Primary Examiner* — Darlington Ly

(74) *Attorney, Agent, or Firm* — Wissing Miller LLP

(\*\*) Term: **15 Years**

(57) **CLAIM**

The ornamental design for a dieless tool head for power  
tools, as shown and described.

(21) Appl. No.: **29/593,672**

**DESCRIPTION**

(22) Filed: **Feb. 10, 2017**

(51) **LOC (11) Cl.** ..... **08-05**

(52) **U.S. Cl.**  
USPC ..... **D8/68; D8/61**

(58) **Field of Classification Search**  
USPC ..... D8/7, 21, 24, 25, 29, 36, 40, 60, 61, 68,  
D8/70, 85; D21/532

CPC ..... B25B 27/10; B25B 27/026; B25B 27/146;  
B21D 37/10; B21D 39/048; B23D 29/00  
See application file for complete search history.

FIG. 1 is a top, front, and left side perspective view of a  
dieless tool head for power tools showing our new design in  
accordance to a first embodiment;  
FIG. 2 is top, rear, and right side perspective view thereof;  
FIG. 3 is a right side elevation view thereof;  
FIG. 4 is a left side elevation view thereof;  
FIG. 5 is a top plan view thereof;  
FIG. 6 is a bottom plan view thereof;  
FIG. 7 is a front elevation view thereof; and  
FIG. 8 is a rear elevation view thereof.  
FIG. 9 is a top, front, and left side perspective view of a  
dieless tool head for power tools showing our new design in  
accordance to a second embodiment;  
FIG. 10 is top, rear, and right side perspective view thereof;  
FIG. 11 is a right side elevation view thereof;  
FIG. 12 is a left side elevation view thereof;  
FIG. 13 is a top plan view thereof;  
FIG. 14 is a bottom plan view thereof;  
FIG. 15 is a front elevation view thereof; and,  
FIG. 16 is a rear elevation view thereof.

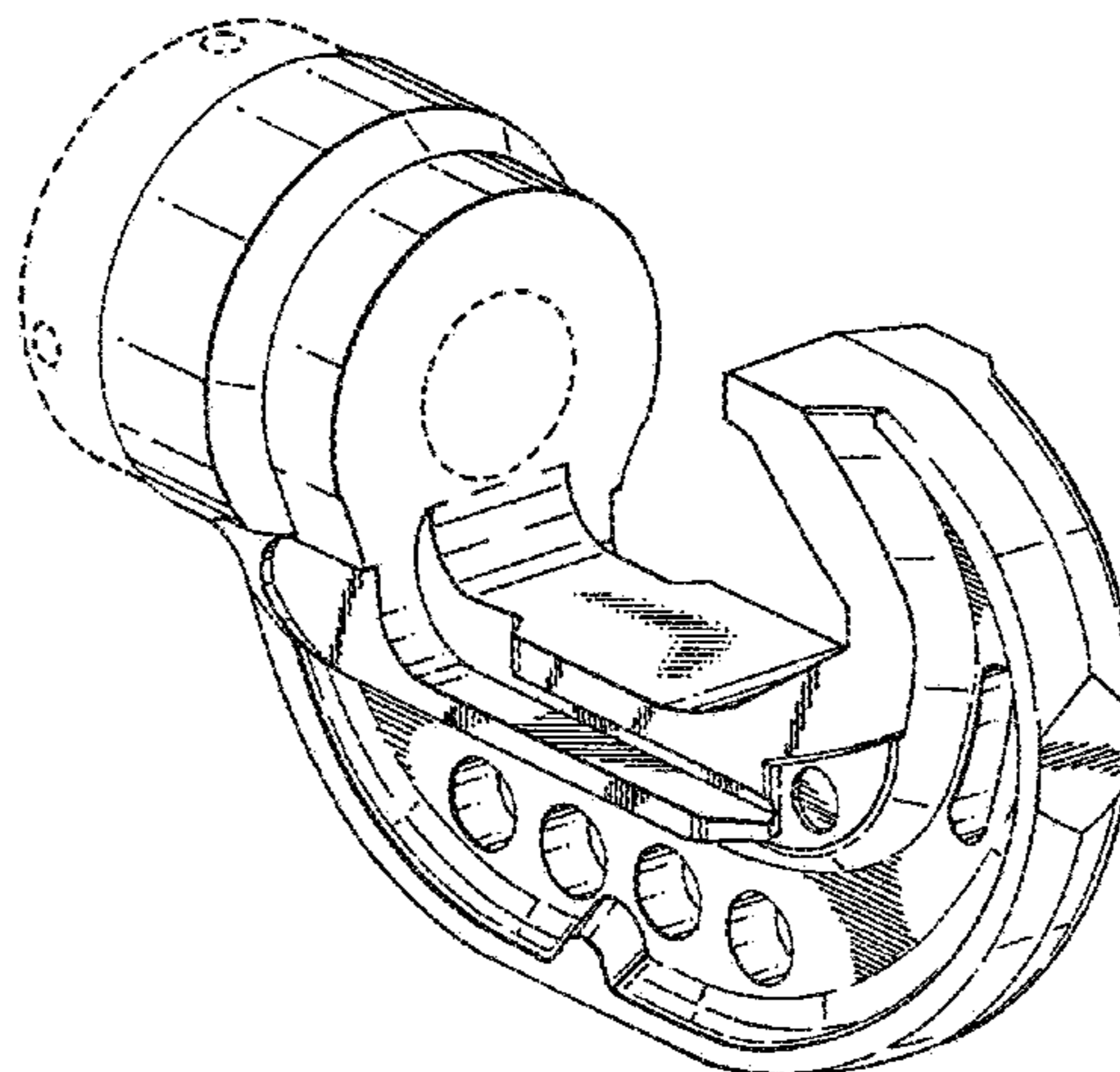
The broken lines in the drawings illustrate portions of the  
dieless tool head for power tools that form no part of the  
claimed design.

(56) **References Cited**

**U.S. PATENT DOCUMENTS**

3,386,298	A *	6/1968	Klingler	.....	B30B 15/00 173/170
3,492,854	A *	2/1970	Eppler	.....	H01R 43/042 140/113
3,862,482	A	1/1975	Green		
4,136,549	A	1/1979	Lytle et al.		
4,604,890	A	8/1986	Martin		
4,640,117	A	2/1987	Anderson et al.		
5,152,162	A	10/1992	Ferraro et al.		
5,193,379	A	3/1993	Ferraro		
D387,961	S *	12/1997	Yasui	.....	D8/68
D404,627	S	1/1999	Hirabayashi		

**1 Claim, 10 Drawing Sheets**



(56)

**References Cited**

## U.S. PATENT DOCUMENTS

6,619,101 B1 \* 9/2003 Faucher ..... B25B 27/10  
72/416

6,666,064 B2 \* 12/2003 Lefavour ..... B25B 27/10  
29/751

6,718,870 B1 \* 4/2004 Frenken ..... B25B 27/10  
100/102

7,111,488 B2 \* 9/2006 Lefavour ..... B25B 27/10  
29/751

7,124,619 B1 10/2006 Lefavour et al.

7,134,314 B1 \* 11/2006 Peterson ..... B30B 15/068  
72/455

7,363,799 B2 4/2008 Hamm

D598,259 S \* 8/2009 Hamm ..... D8/52

7,578,159 B2 \* 8/2009 Bowles ..... B21D 39/048  
72/409.01

7,634,859 B2 12/2009 Amherd

7,762,117 B2 \* 7/2010 Faucher ..... B25B 27/10  
403/14

7,908,963 B2 3/2011 Frenken

8,056,473 B2 11/2011 Frenken

D668,922 S 10/2012 Hyma

8,316,685 B2 11/2012 Stucki

8,919,176 B2 \* 12/2014 Barezzani ..... B25B 27/10  
72/453.05

8,997,543 B2 \* 4/2015 Therrien ..... B21D 37/10  
175/423

D805,365 S \* 12/2017 Ballard ..... D8/69

2007/0214859 A1 \* 9/2007 Bowles ..... B21D 39/048  
72/412

2007/0295053 A1 12/2007 Ruland

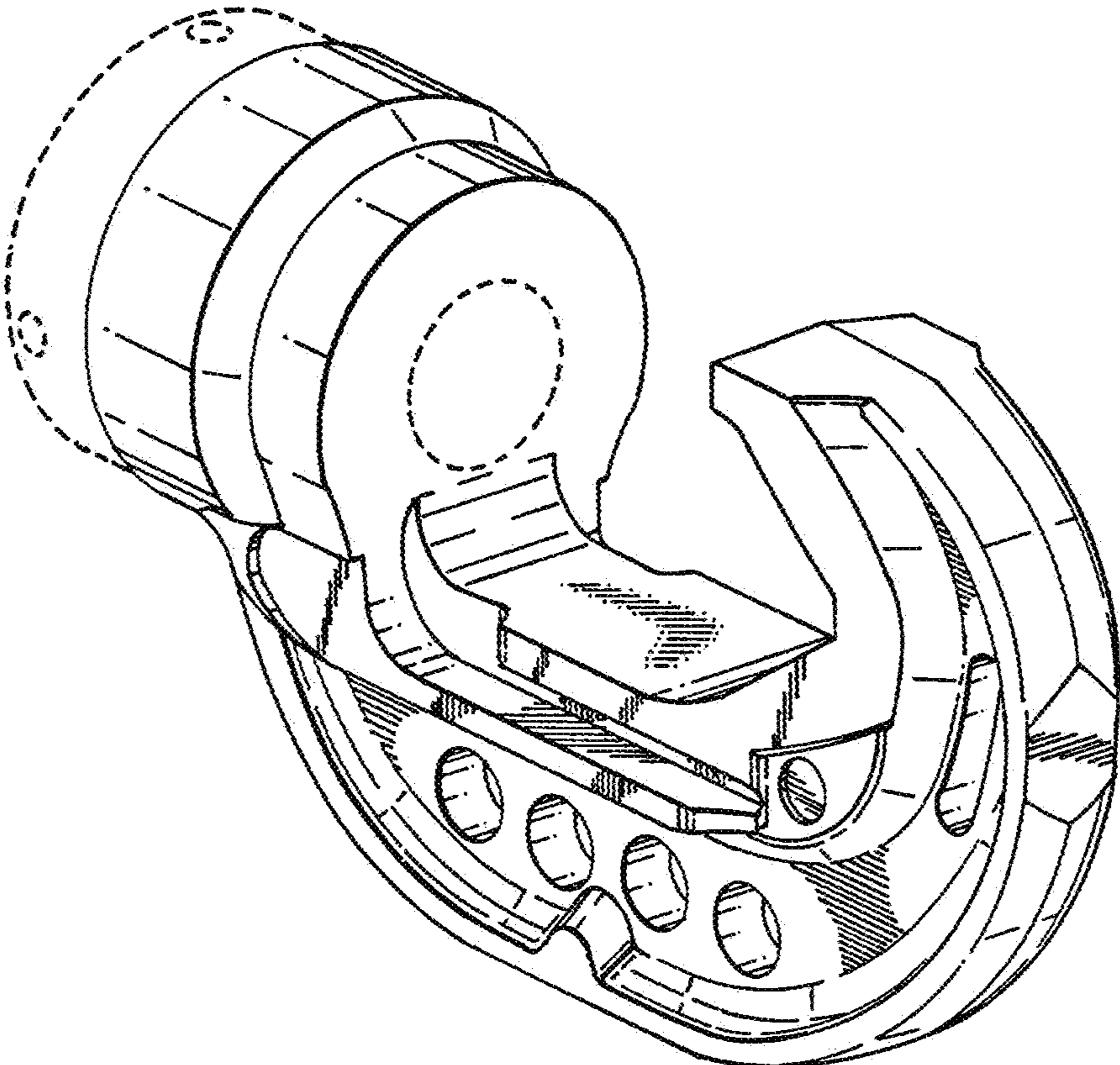
2008/0282763 A1 11/2008 Chiasson et al.

2008/0289394 A1 11/2008 Mitchell

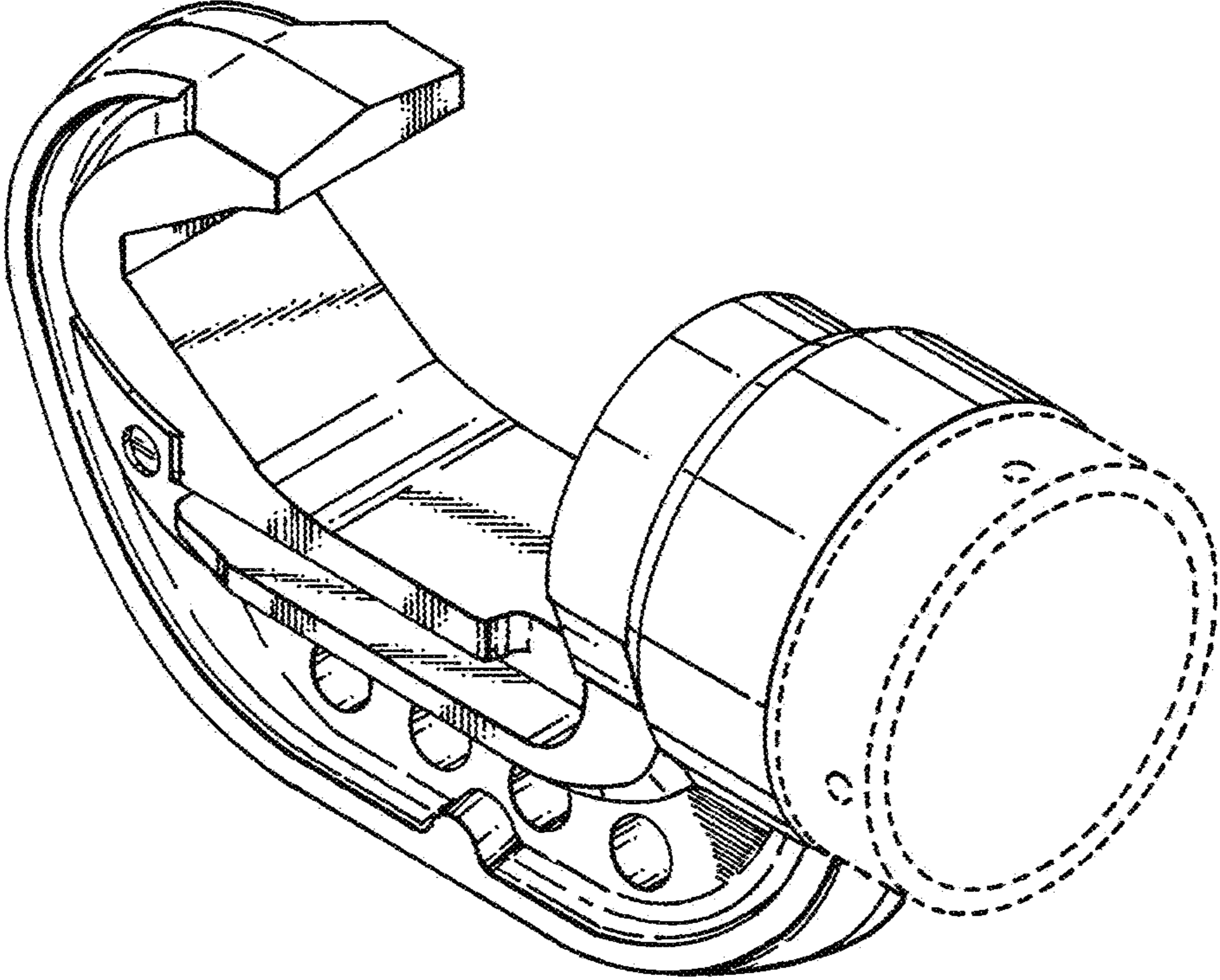
2009/0313820 A1 12/2009 Roman

2010/0000288 A1 1/2010 Barezzani et al.

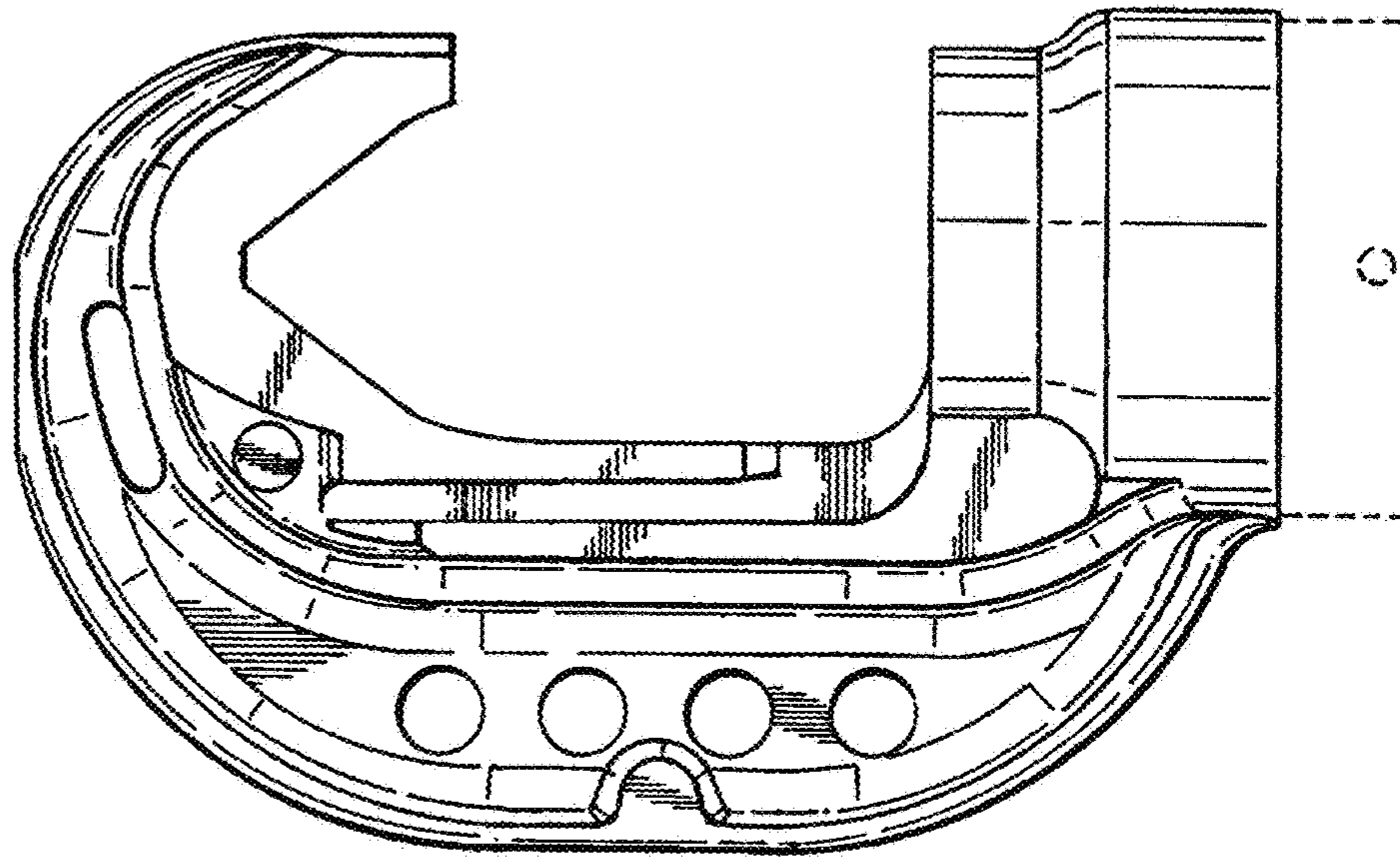
\* cited by examiner



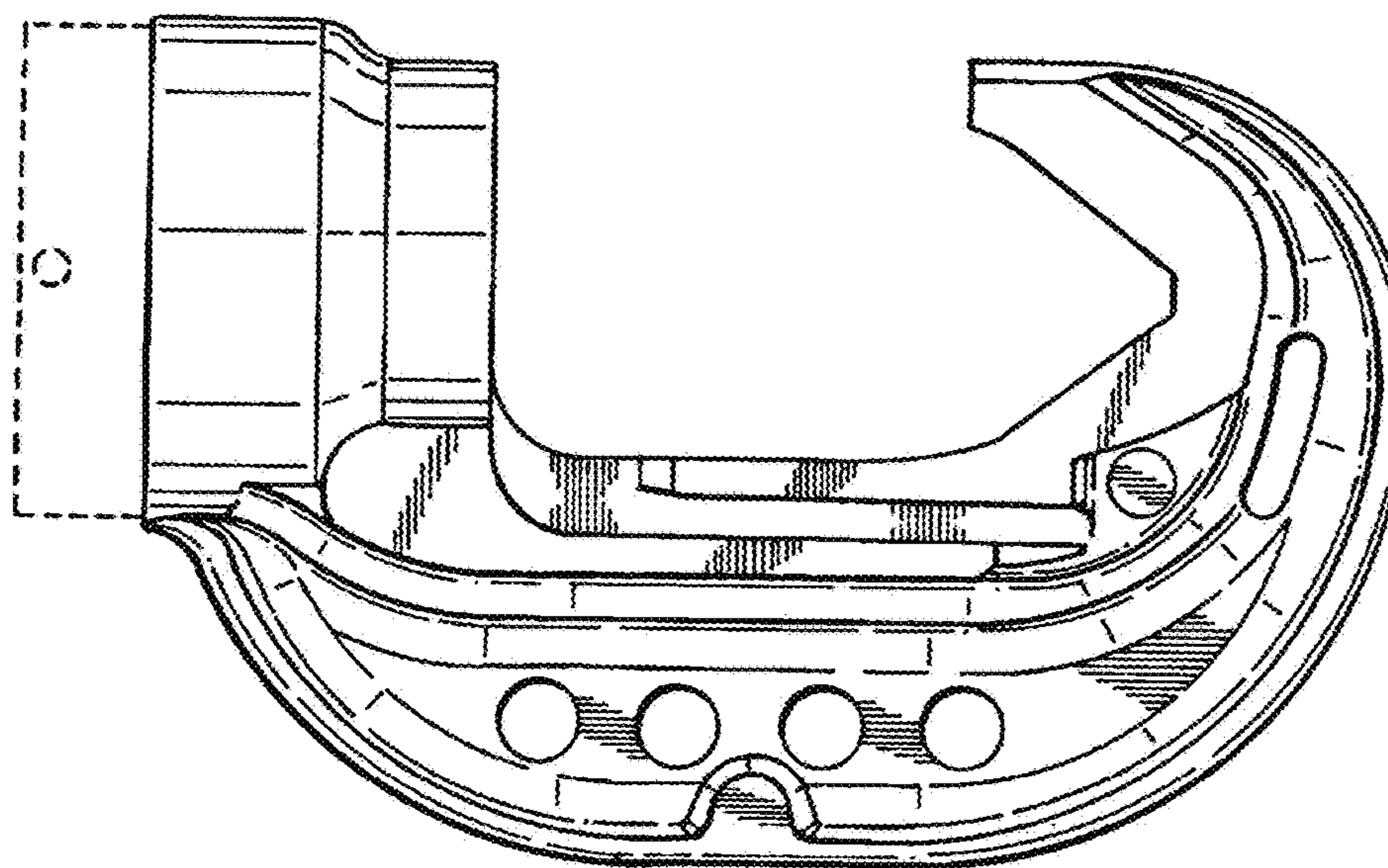
**Fig. 1**



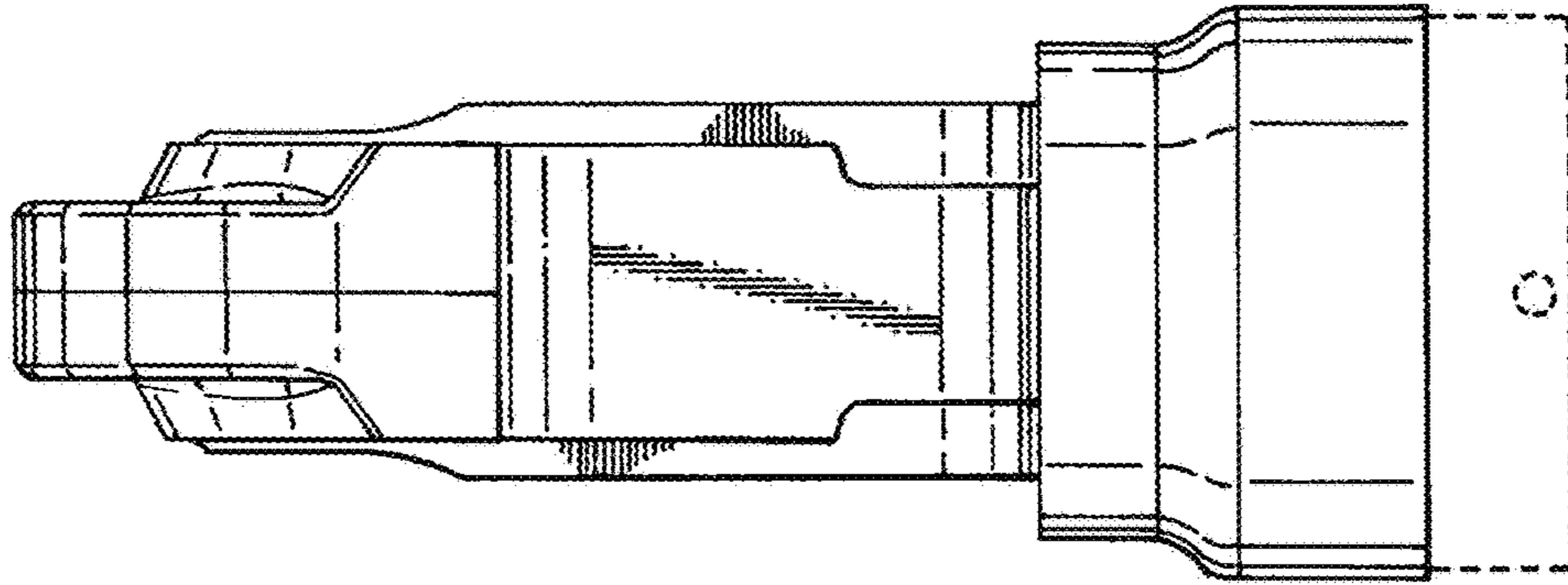
**Fig. 2**



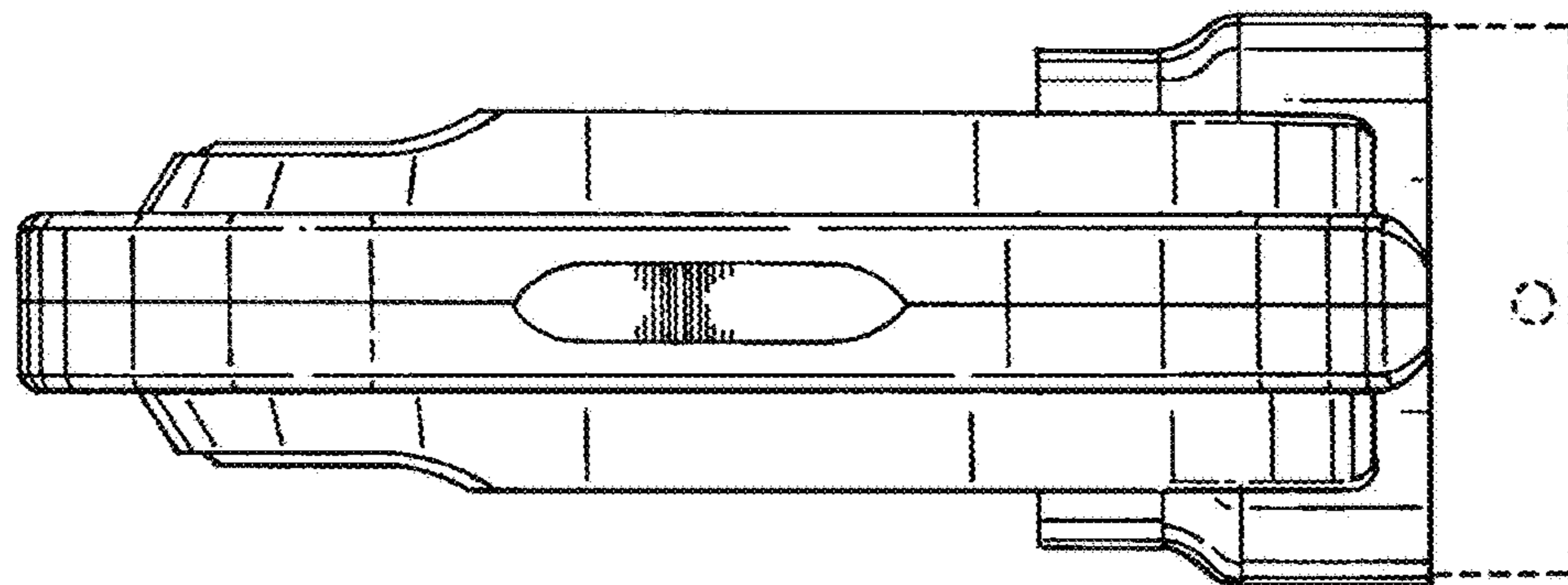
**Fig. 3**



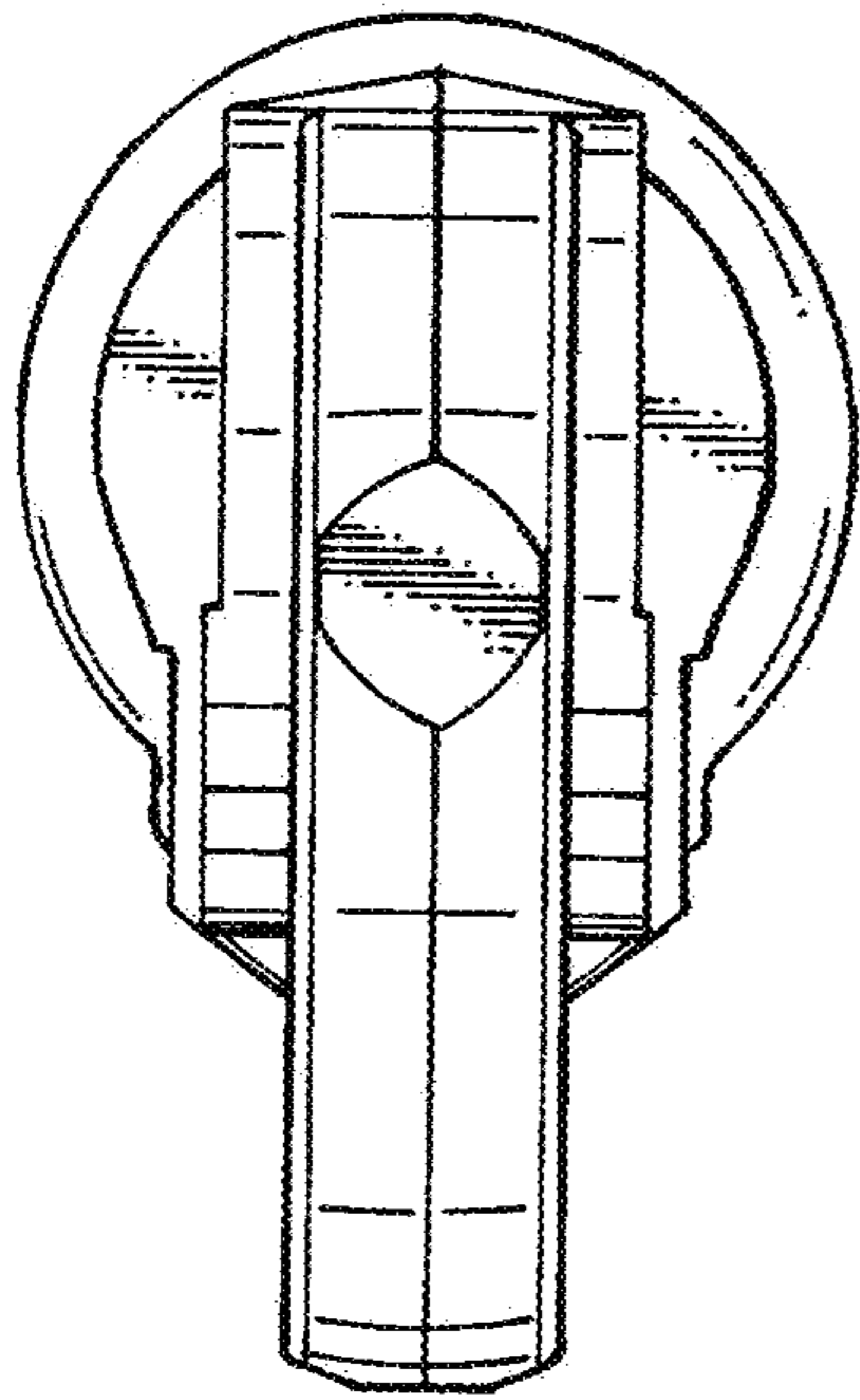
**Fig. 4**



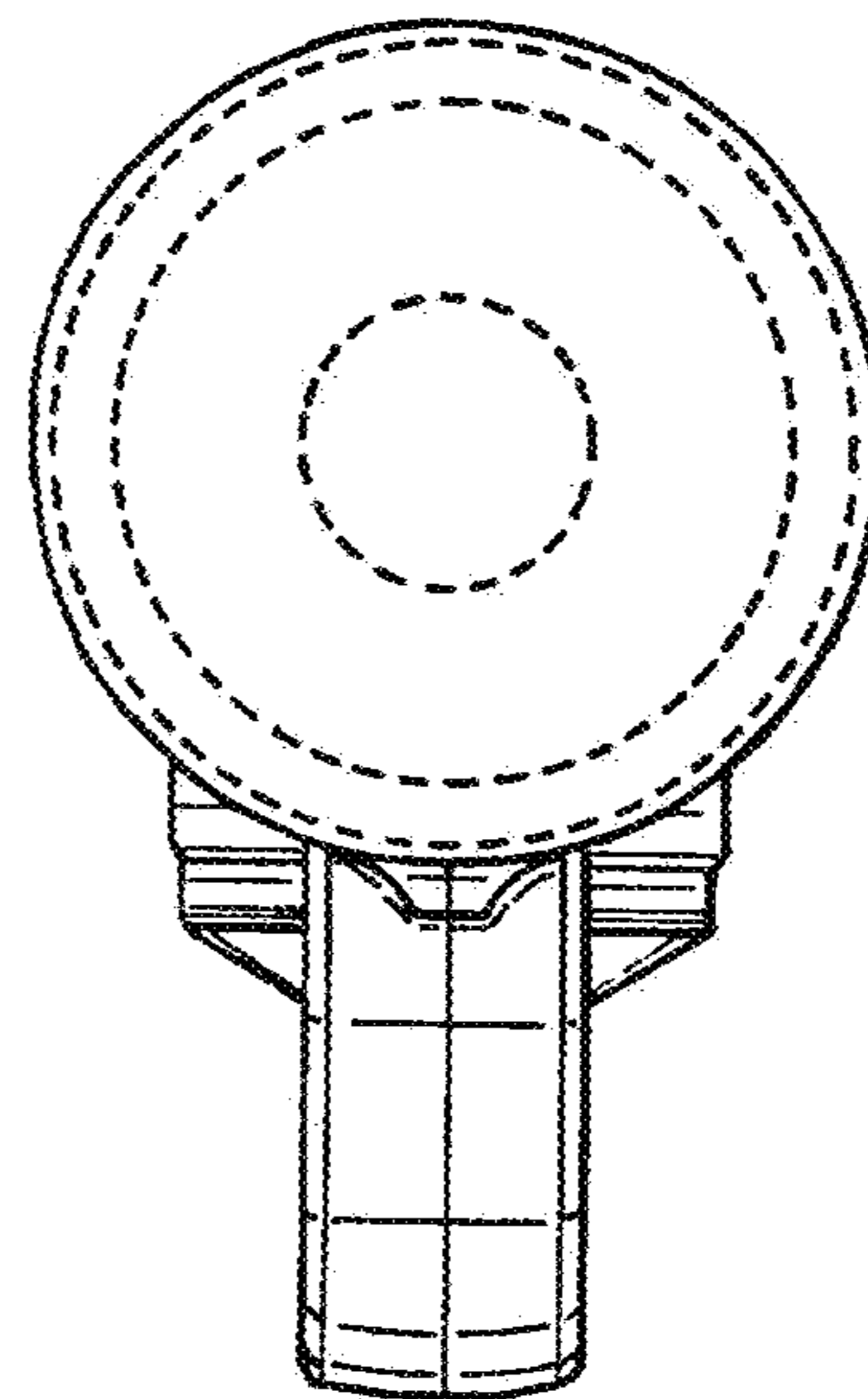
**Fig. 5**



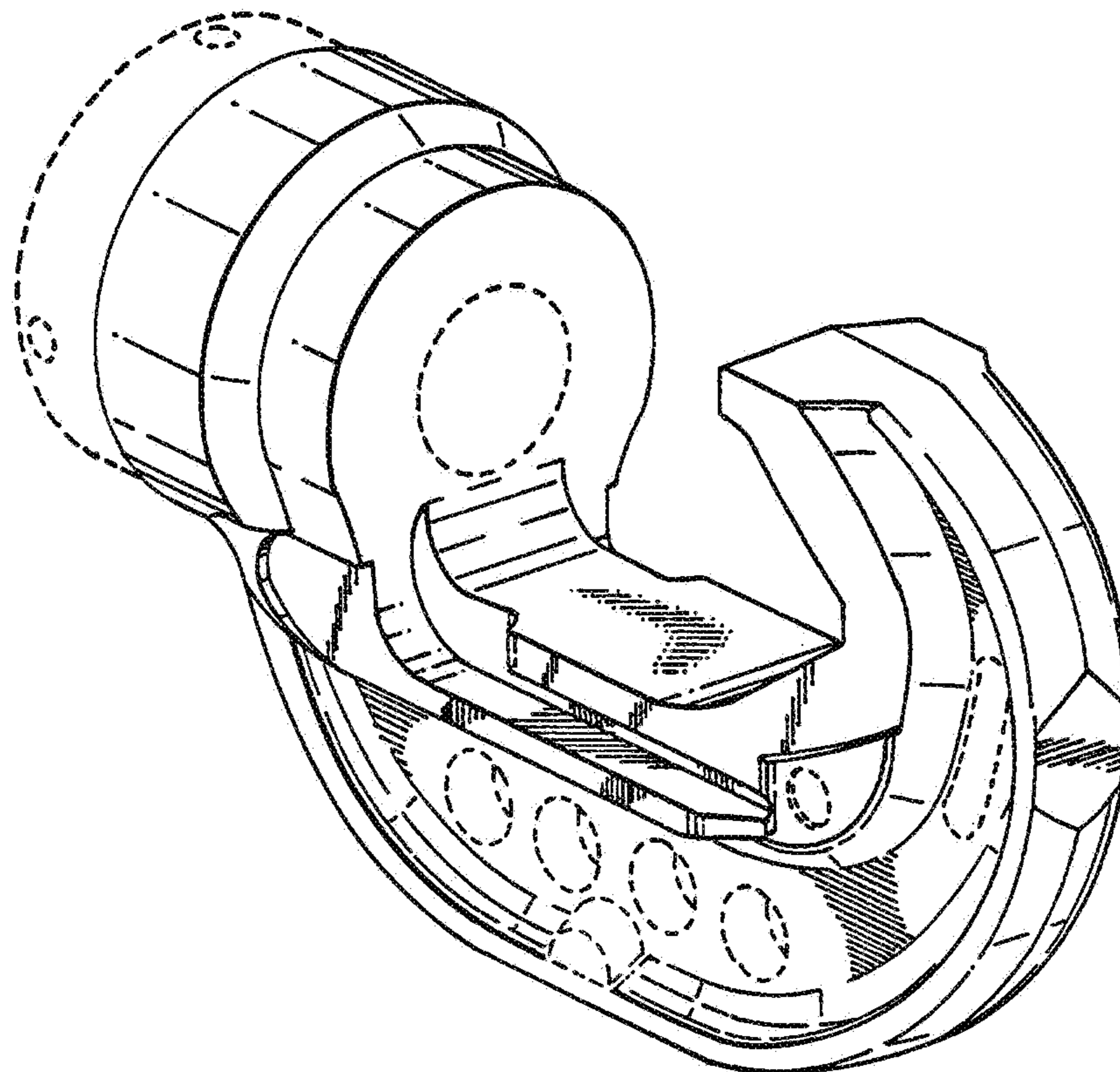
**Fig. 6**



**Fig. 7**

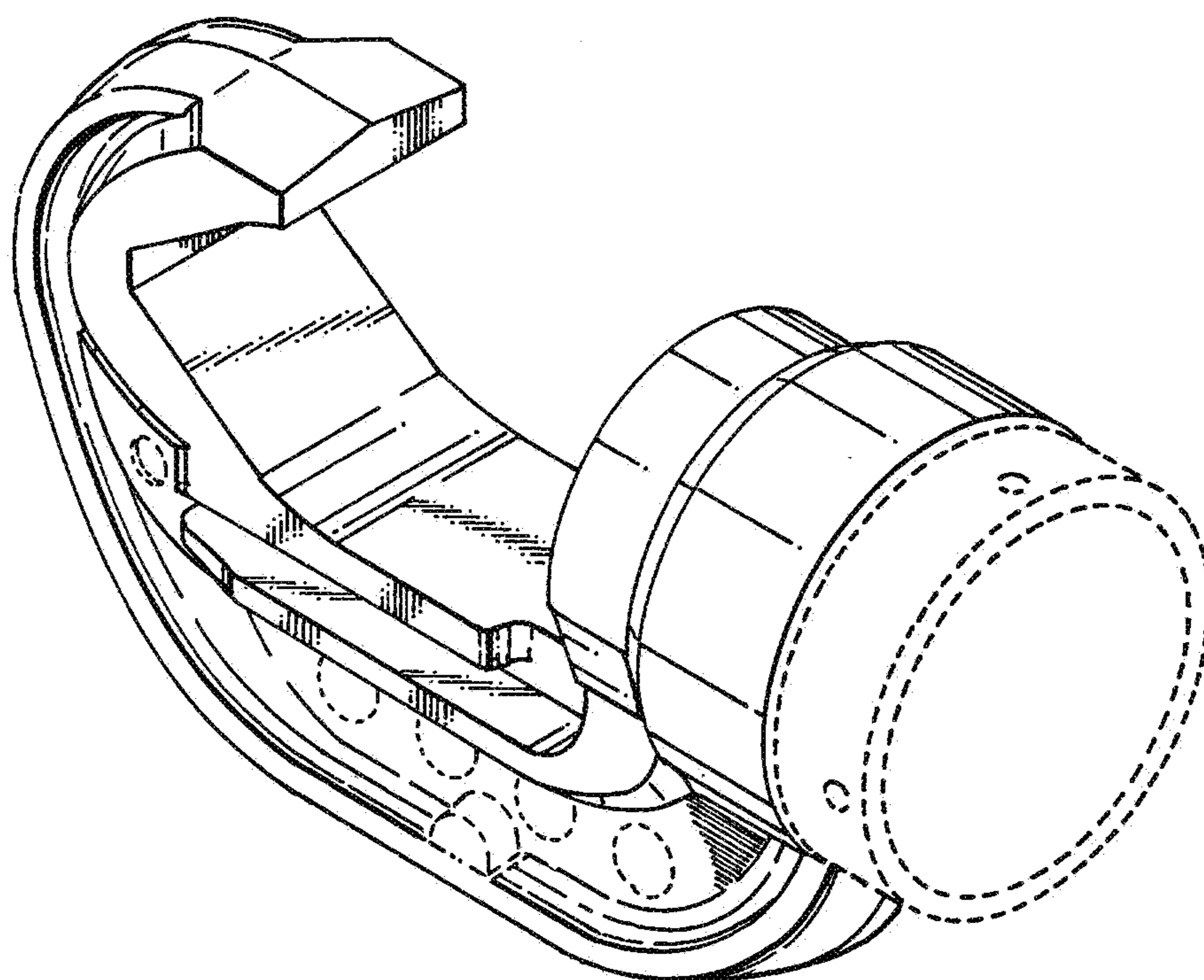


**Fig. 8**

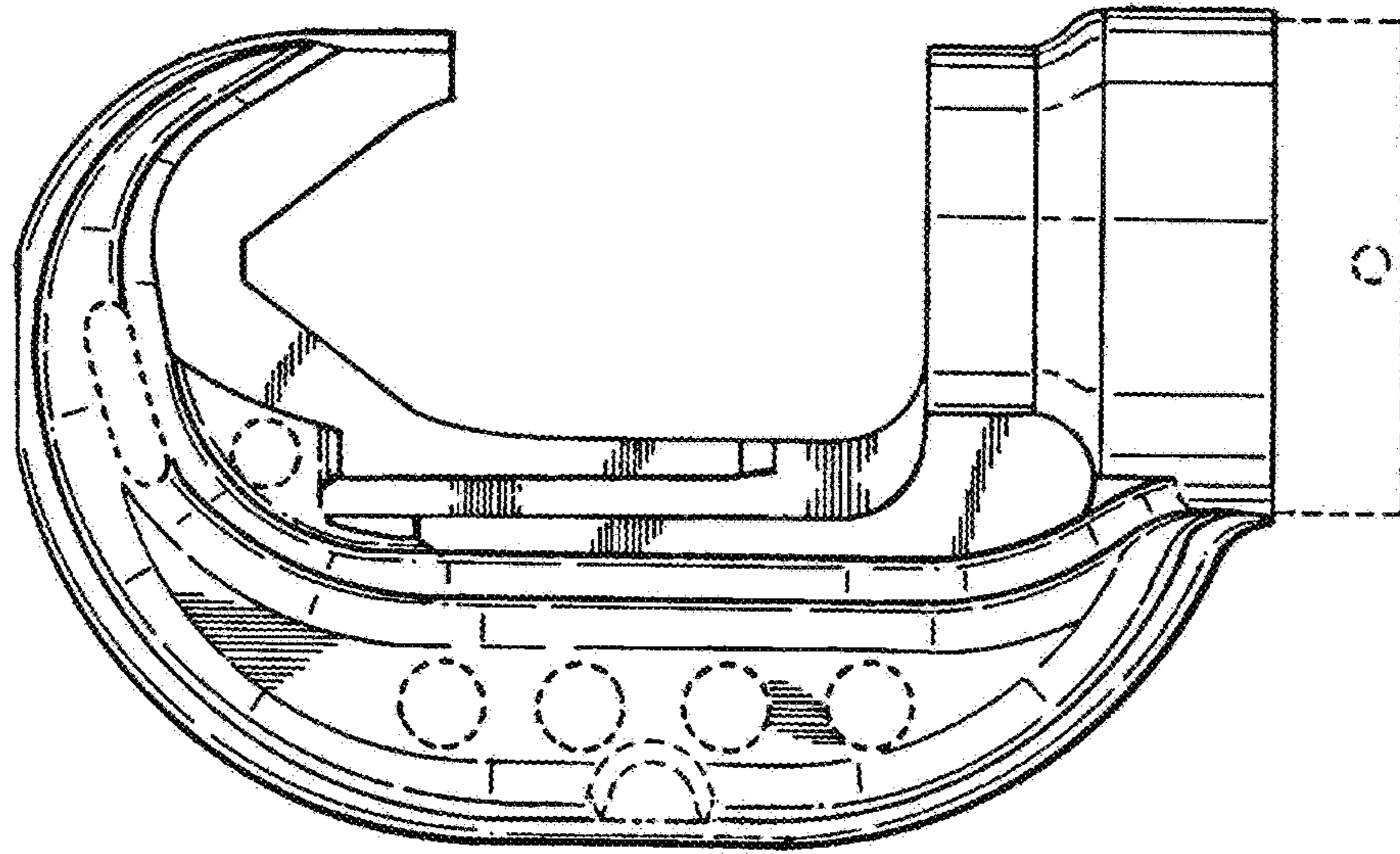


**Fig. 9**

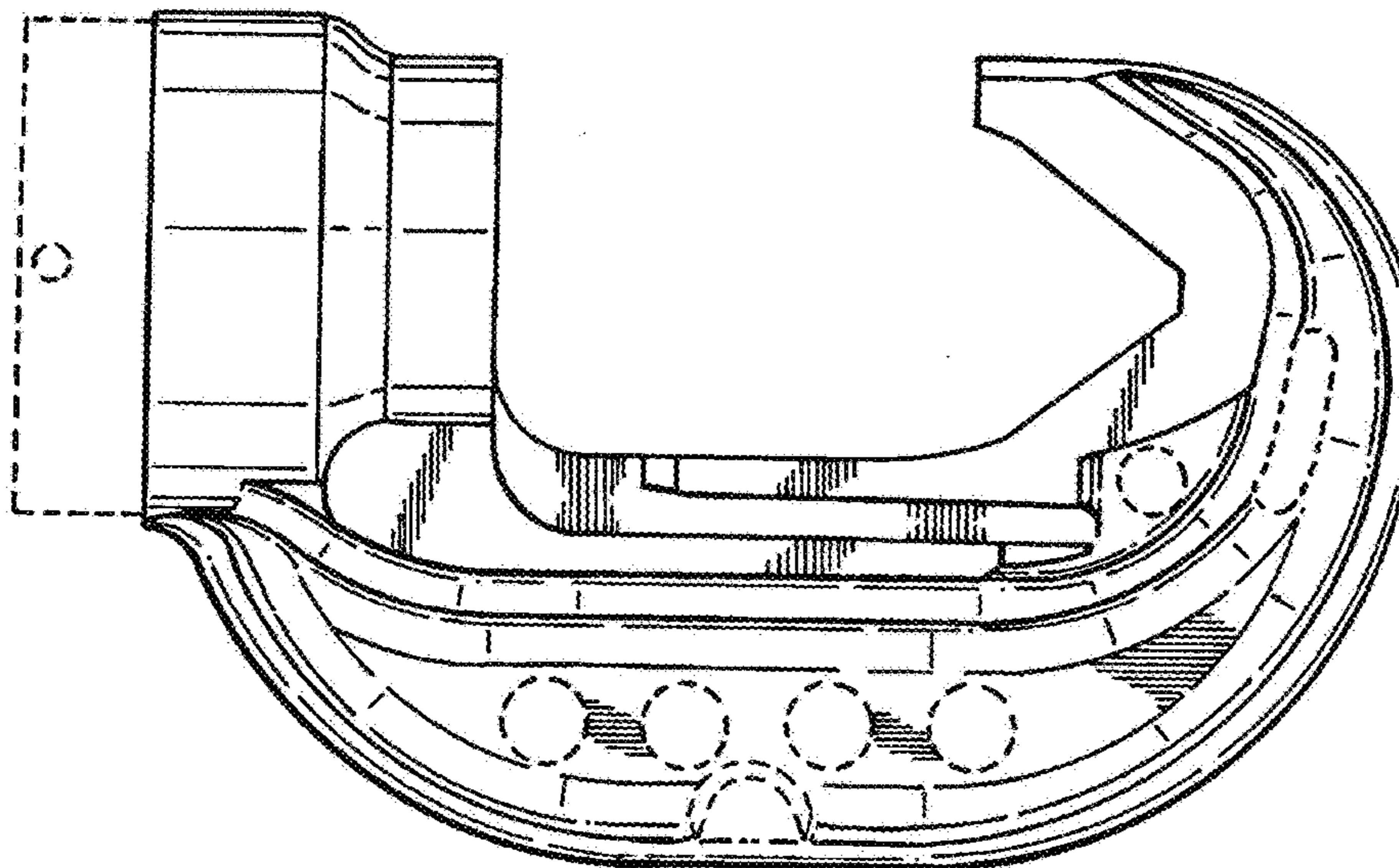




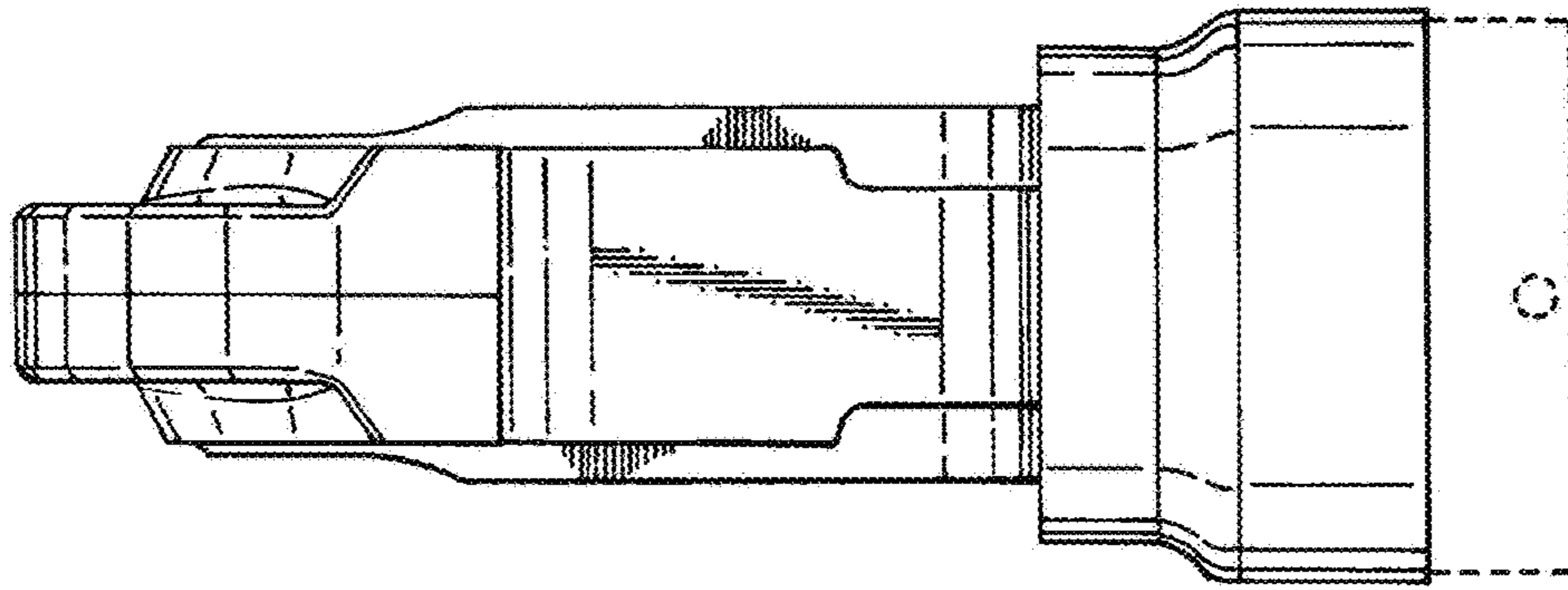
**Fig. 10**



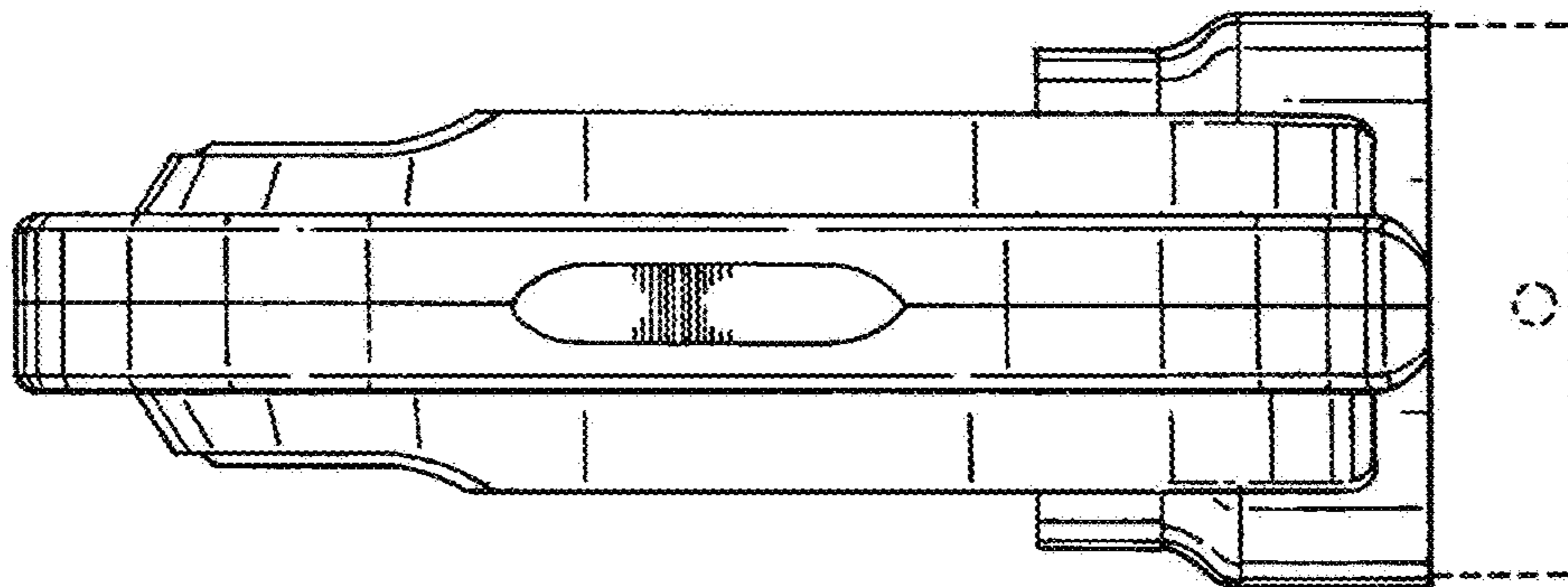
**Fig. 11**



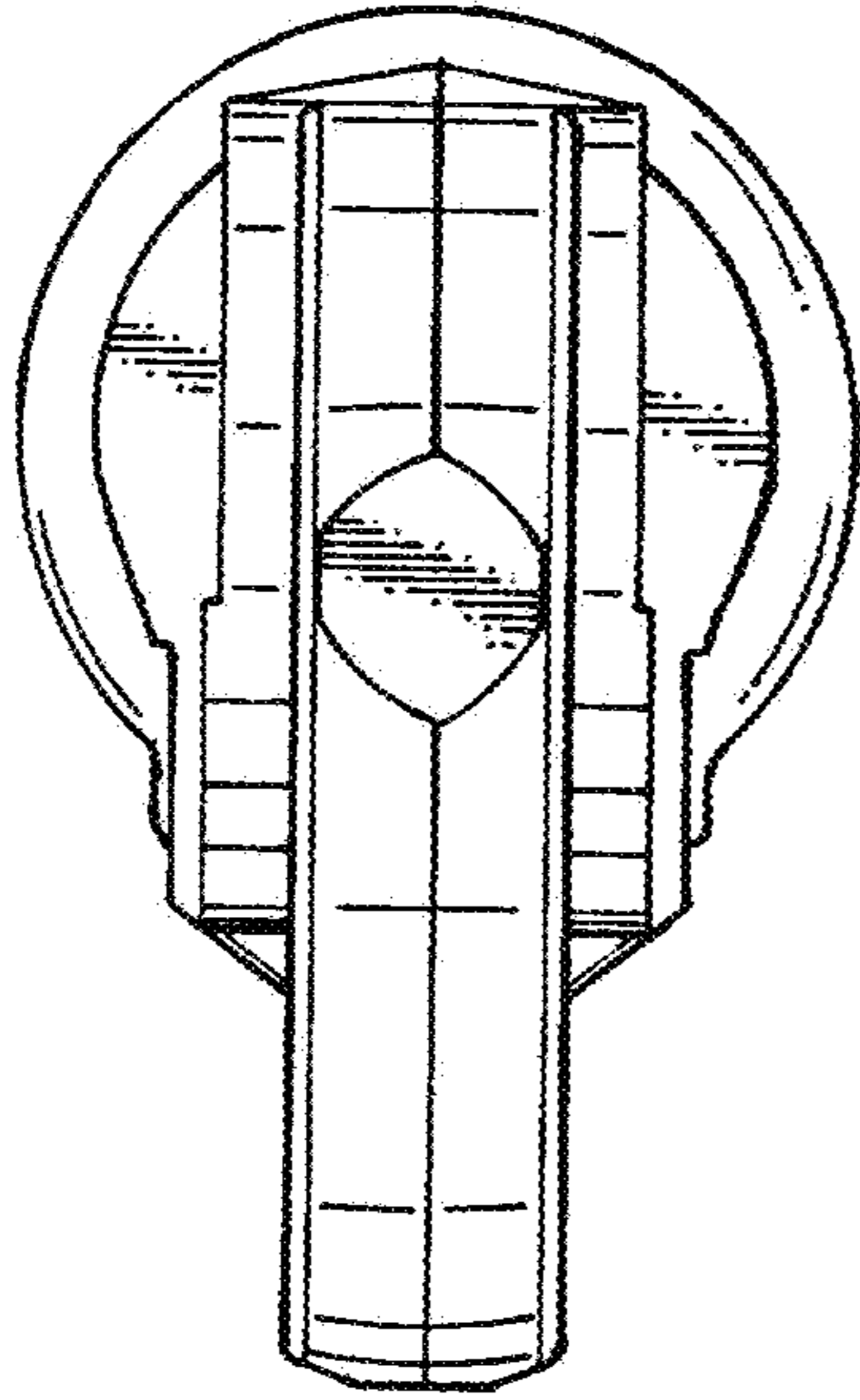
**Fig. 12**



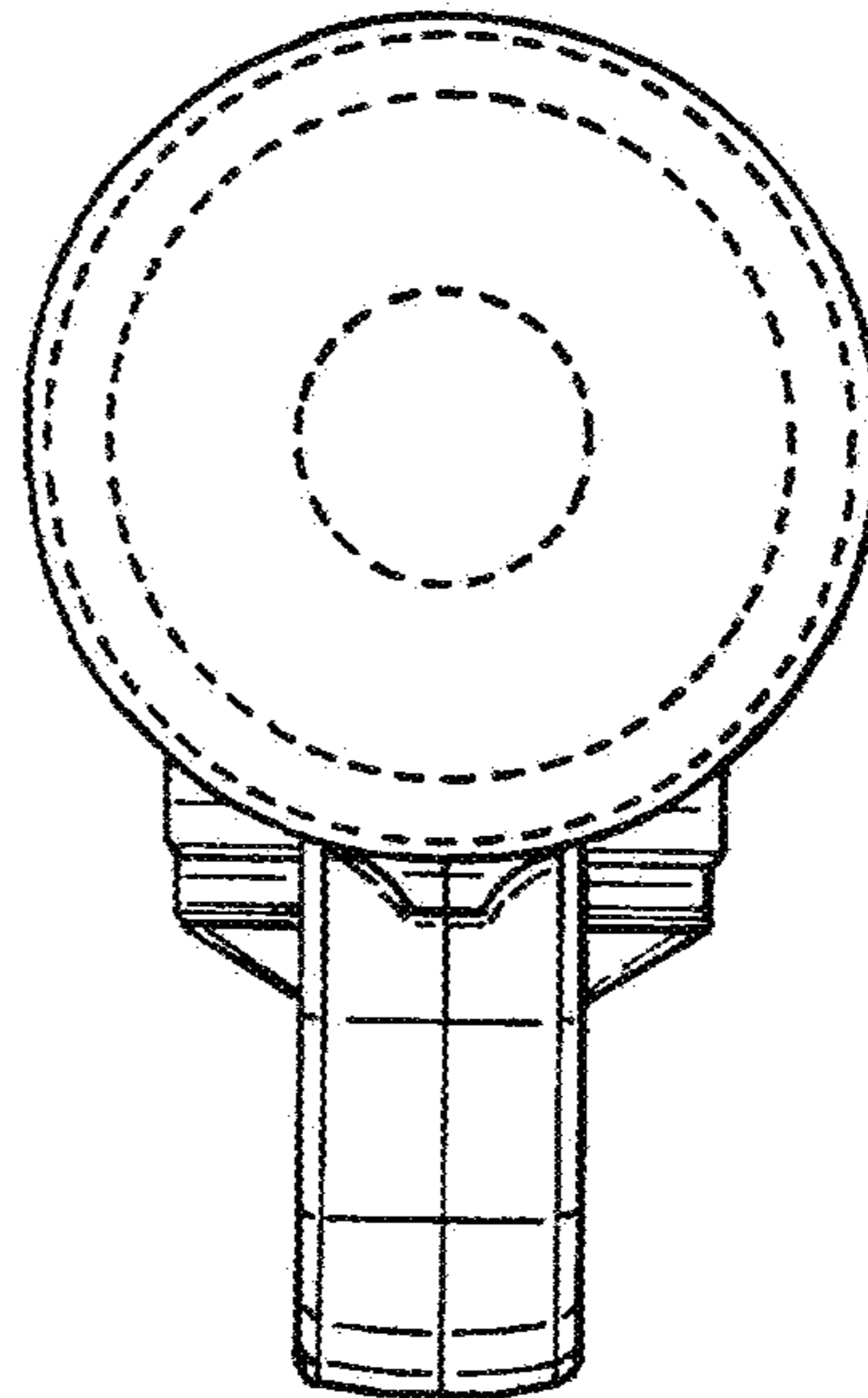
**Fig. 13**



**Fig. 14**



**Fig. 15**



**Fig. 16**