

US00D830146S

(12) **United States Design Patent** (10) **Patent No.:** **US D830,146 S**
Croghan (45) **Date of Patent:** **** Oct. 9, 2018**

(54) **DC RECIP SAW** 8,307,910 B2 * 11/2012 Holmes B23D 49/165
 173/19
 (71) Applicant: **7RDD Limited**, North Yorkshire (GB) D685,242 S * 7/2013 Vitantonio D8/64
 D688,928 S * 9/2013 Busschaert D8/64
 (72) Inventor: **Eamon Croghan**, Yorkshire (GB) D705,028 S * 5/2014 Vitantonio D8/64
 D705,627 S * 5/2014 Schoch D8/64
 (73) Assignee: **7RDD Limited**, Dunnington, York (GB) D752,406 S * 3/2016 Kanda D8/64
 D790,939 S * 7/2017 Elder D8/64
 (**) Term: **15 Years** D807,135 S * 1/2018 Naksen D8/64
 D807,136 S * 1/2018 Naksen D8/64

* cited by examiner

(21) Appl. No.: **29/598,992**

(22) Filed: **Mar. 30, 2017**

(51) **LOC (11) Cl.** **08-03**

(52) **U.S. Cl.**
USPC **D8/64**

(58) **Field of Classification Search**
USPC D8/69, 68, 67, 66, 65, 64, 62, 61; 30/92,
30/394, 393, 392, 377, 376, 371; 74/50,
74/49; 173/217, 216; 83/699.21;
446/145

CPC B26B 7/00; B23D 51/16; B23D 51/10;
B25F 5/02; B62B 7/00

See application file for complete search history.

(56) **References Cited**

U.S. PATENT DOCUMENTS

D551,046 S * 9/2007 Yamamoto D8/64
 D560,988 S * 2/2008 Watson D8/64
 D591,574 S * 5/2009 DiPasquale D8/64
 8,166,660 B2 * 5/2012 Zhou B25F 5/02
 30/392

Primary Examiner — Austin Murphy
 (74) *Attorney, Agent, or Firm* — Woodard, Emhardt,
 Moriarty, McNett & Henry LLP

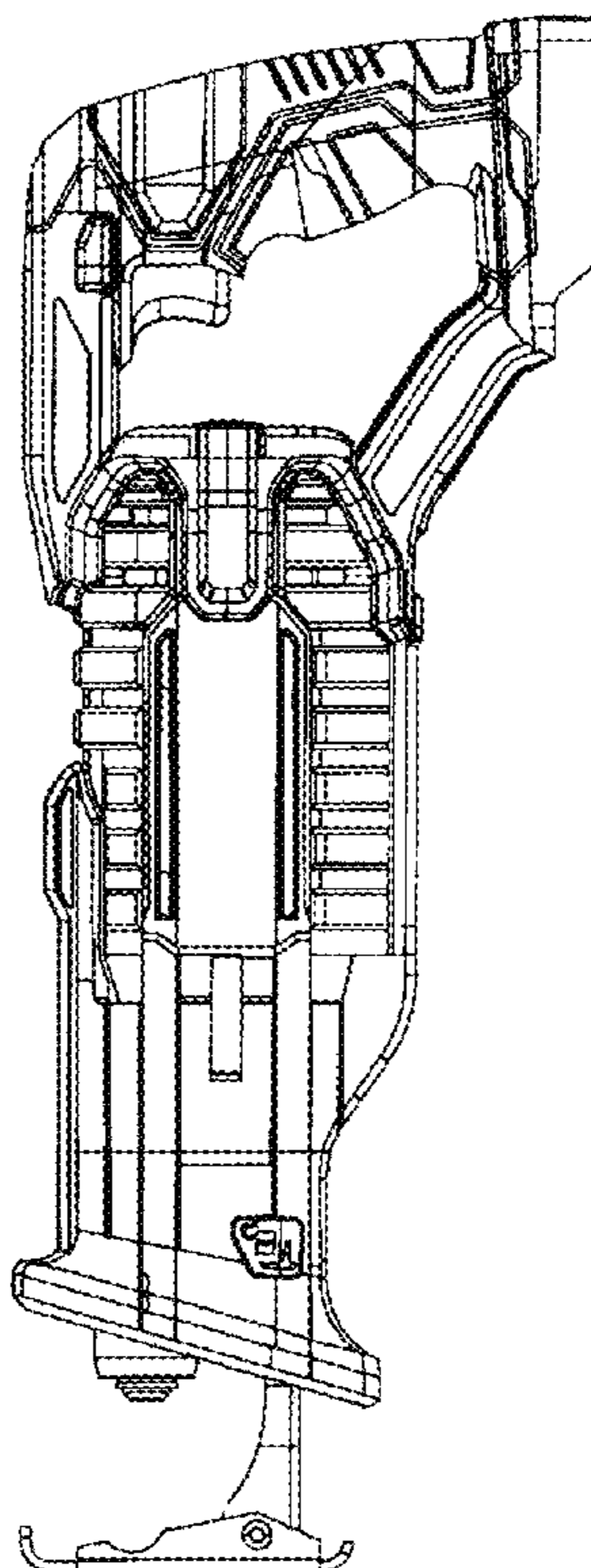
(57) **CLAIM**

The ornamental design for a DC recip saw, as shown and described.

DESCRIPTION

FIG. 1 is a perspective view of the preferred embodiment of the DC recip saw incorporating my new design;
 FIG. 2 is a front view thereof;
 FIG. 3 is a rear view thereof;
 FIG. 4 is a right side thereof;
 FIG. 5 is a left side view thereof;
 FIG. 6 is a top view thereof; and,
 FIG. 7 is a bottom view thereof.

1 Claim, 4 Drawing Sheets



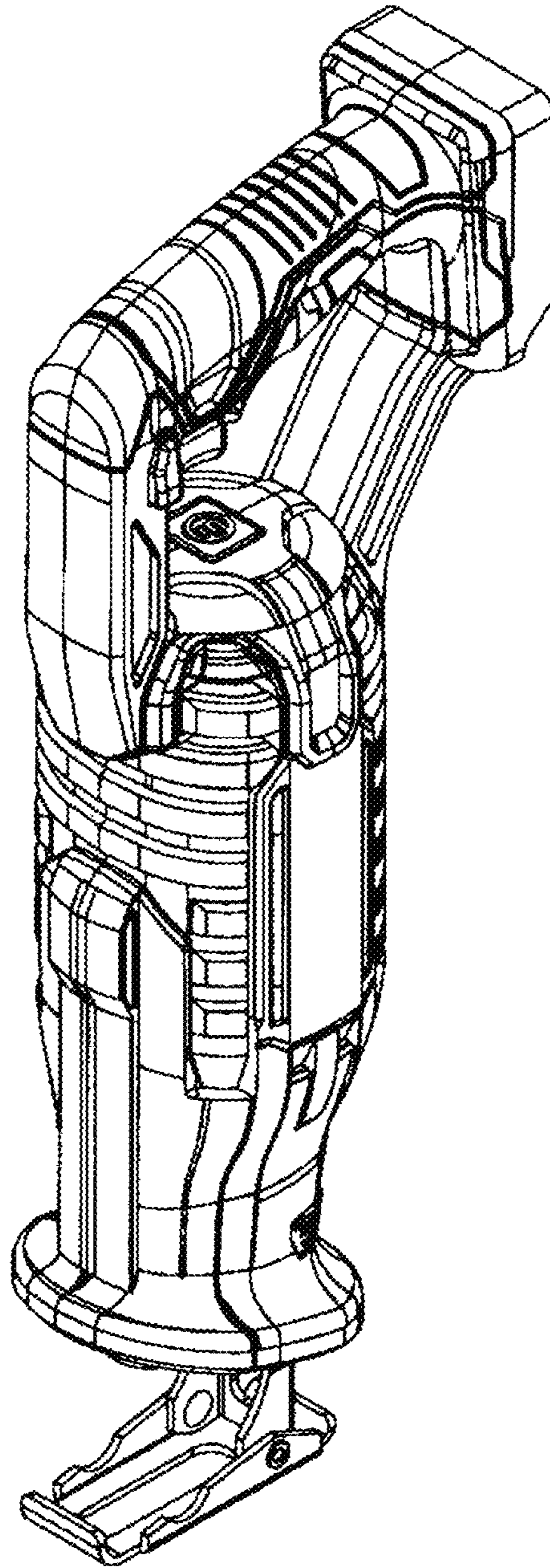


Fig. 1

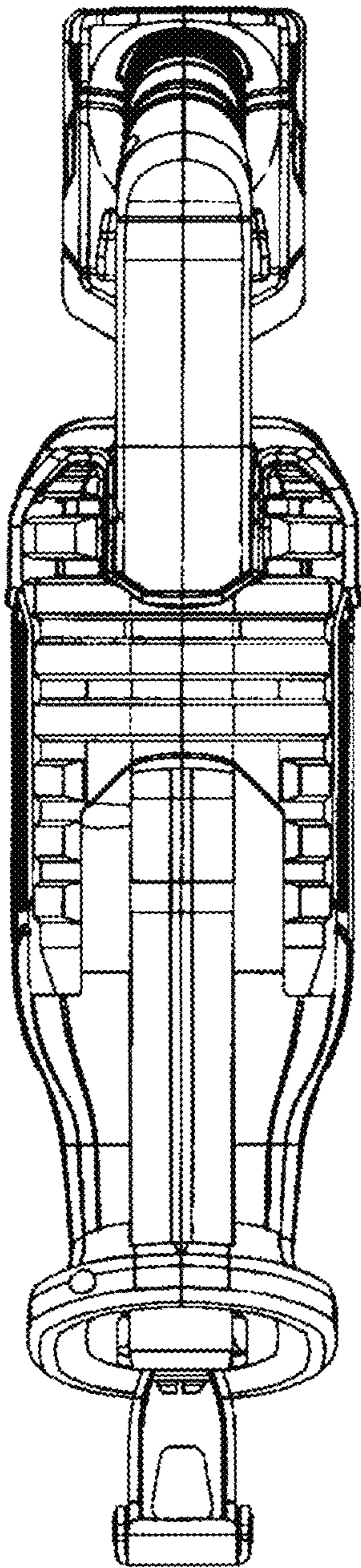


Fig. 2

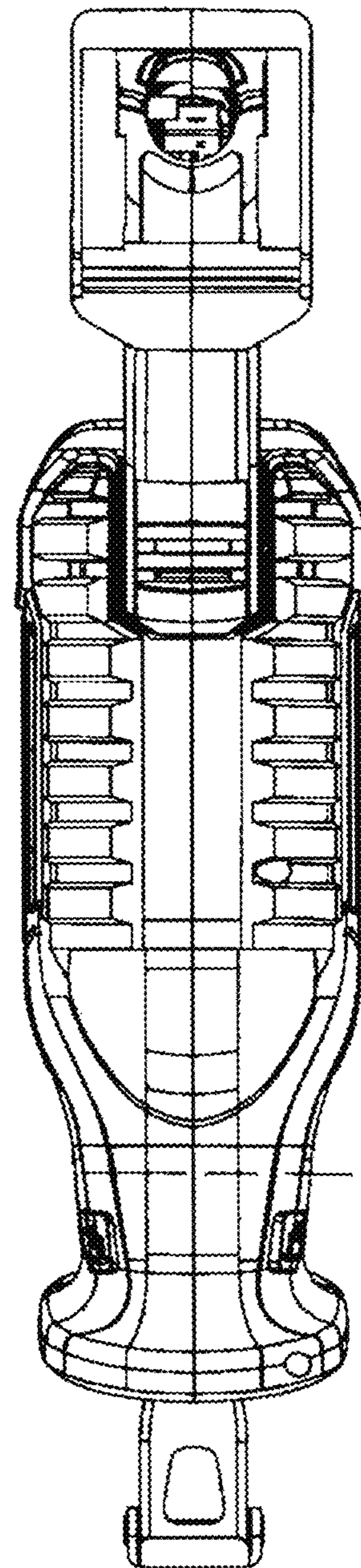


Fig. 3

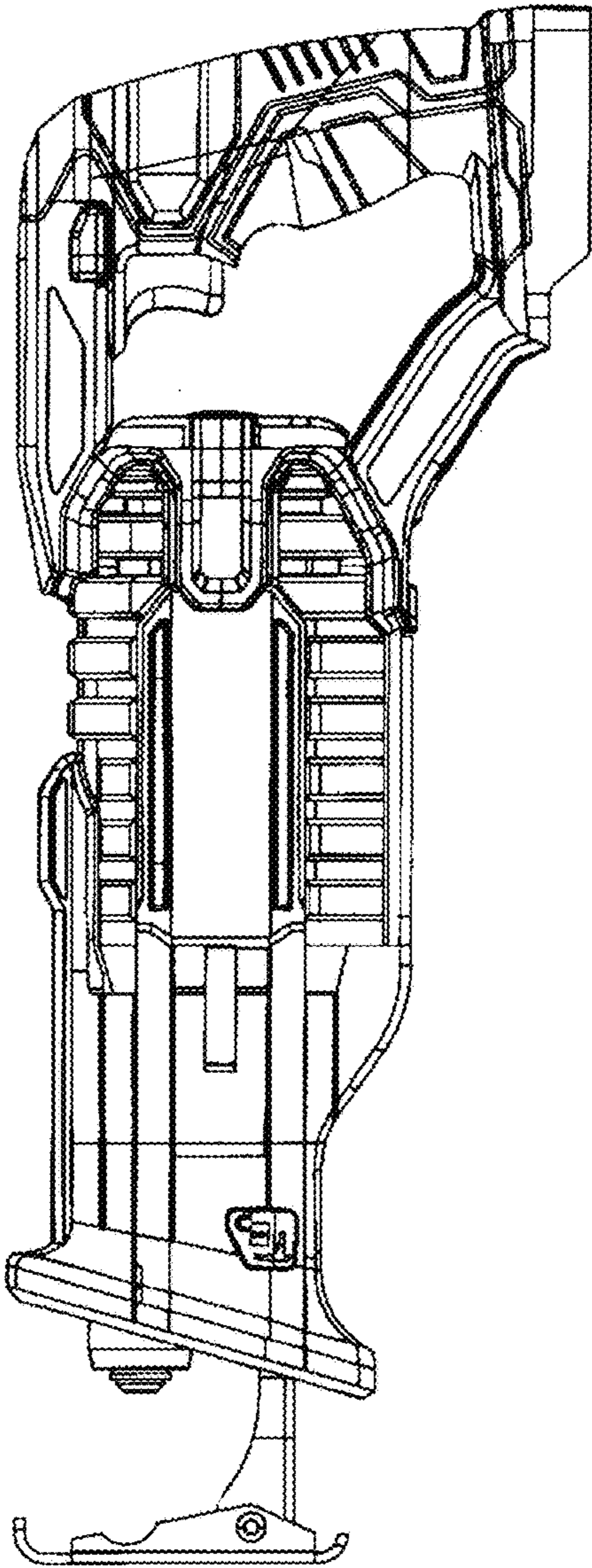


Fig. 4

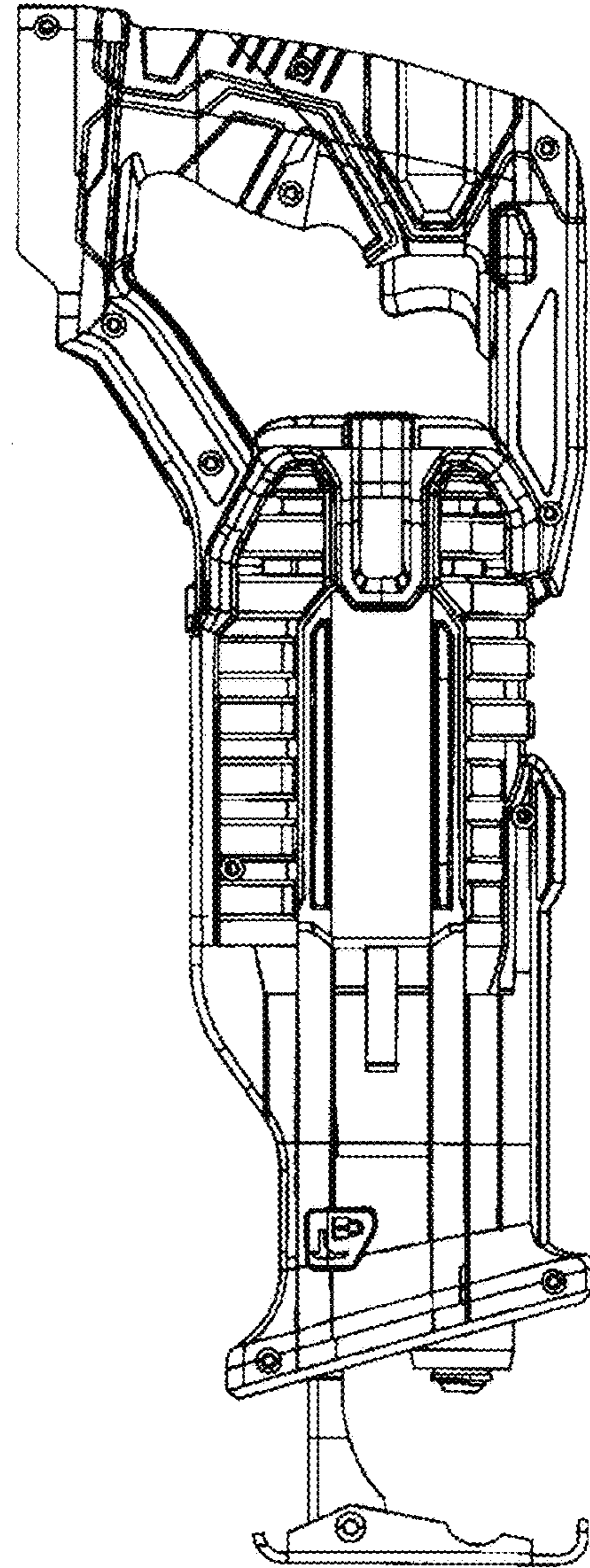


Fig. 5

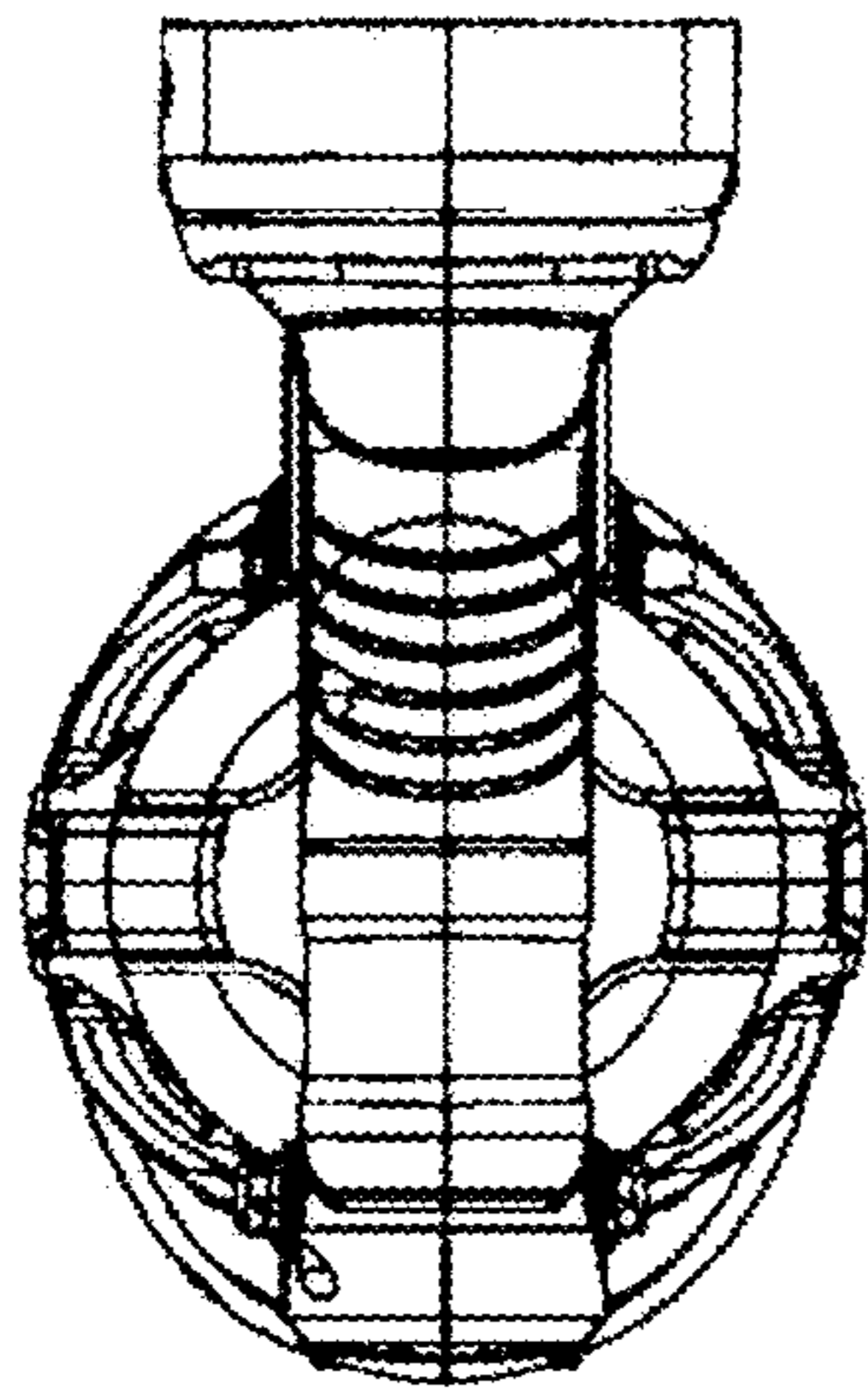


Fig. 6

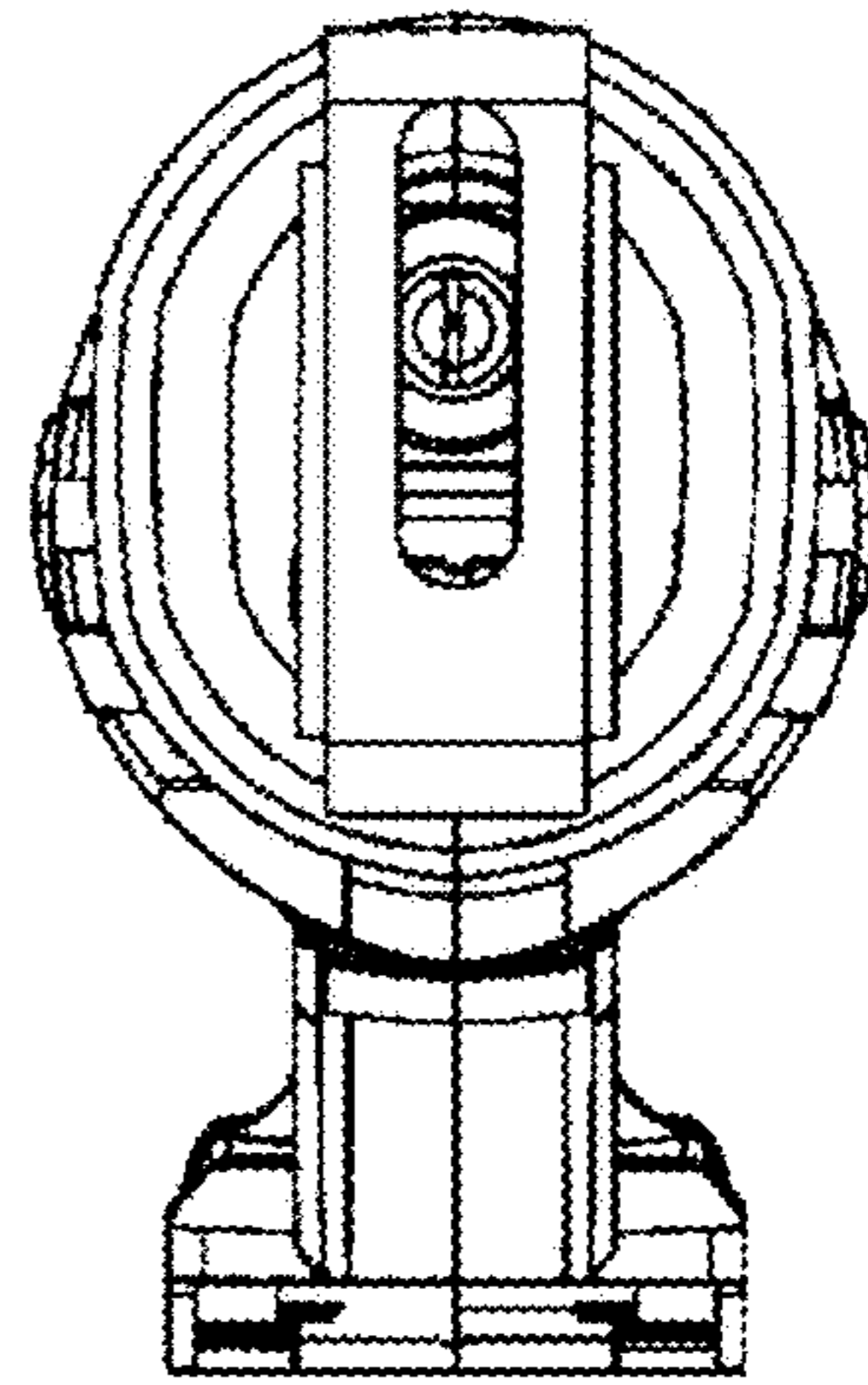


Fig. 7