



US00D830145S

(12) **United States Design Patent**
Lin

(10) **Patent No.:** **US D830,145 S**
(45) **Date of Patent:** **** Oct. 9, 2018**

- (54) **PUNCHER**
- (71) Applicant: **Kun-Meng Lin**, Changhua County (TW)
- (72) Inventor: **Kun-Meng Lin**, Changhua County (TW)
- (**) Term: **15 Years**
- (21) Appl. No.: **29/608,458**
- (22) Filed: **Jun. 22, 2017**
- (51) **LOC (11) Cl.** **08-05**
- (52) **U.S. Cl.**
USPC **D8/52**
- (58) **Field of Classification Search**
USPC D8/4, 5, 51-60, 105, 107
CPC B26F 1/36; B26F 2001/365
See application file for complete search history.

- 4,193,191 A * 3/1980 Sisco B26F 1/36
30/364
- 5,884,540 A * 3/1999 Mo B25B 7/04
81/423
- D436,302 S * 1/2001 Lin D8/52
- 6,282,796 B1 * 9/2001 Lin B25B 7/04
30/363
- 7,146,738 B2 * 12/2006 Yu B26F 1/36
30/358
- D557,579 S * 12/2007 Steiner D8/52
- 7,895,756 B1 * 3/2011 Lin B25B 7/04
30/187
- 9,744,581 B2 * 8/2017 Bullard B21D 28/34

* cited by examiner

Primary Examiner — Deanna L Pratt

(57) **CLAIM**

The ornamental design for a puncher, as shown and described.

(56) **References Cited**

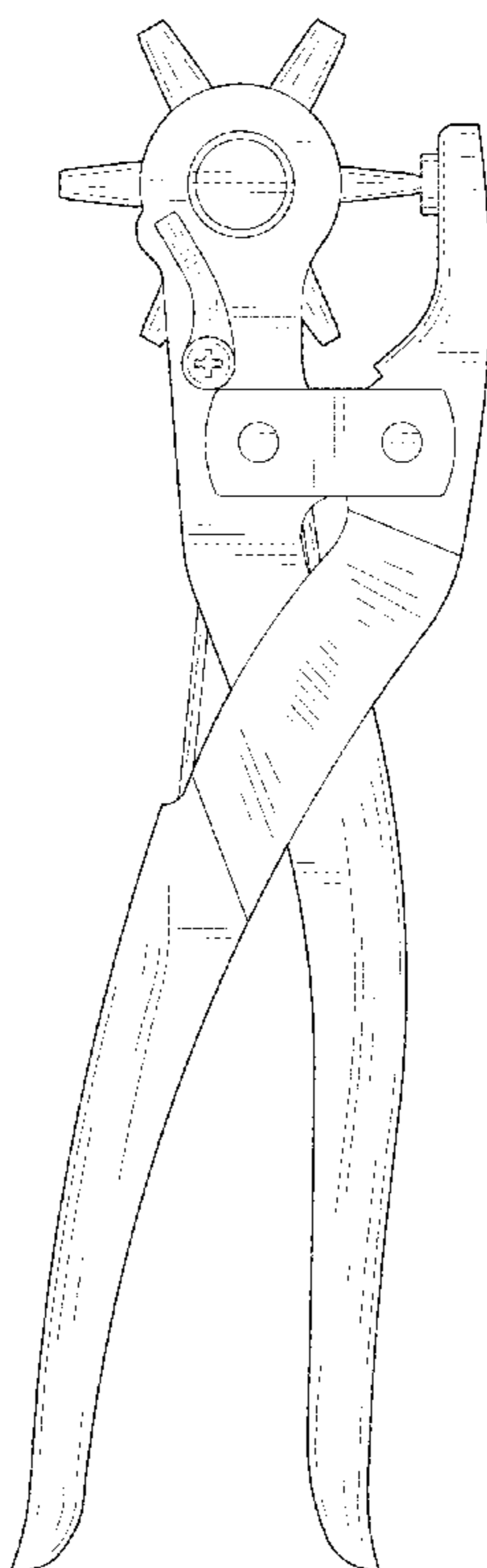
U.S. PATENT DOCUMENTS

- 664,299 A * 12/1900 Smith B26F 1/36
30/364
- 734,157 A * 7/1903 Bernard B26F 1/36
30/364
- 1,126,324 A * 1/1915 Weinstein A43D 5/00
227/144
- 1,308,272 A * 7/1919 Berglund B26F 1/36
30/364
- 4,135,573 A * 1/1979 Sutter B23K 3/08
165/185

DESCRIPTION

FIG. 1 is a perspective view of a puncher showing my new design;
 FIG. 2 is a front elevational view thereof;
 FIG. 3 is a rear elevational view thereof;
 FIG. 4 is a left side elevational view thereof;
 FIG. 5 is a right side elevational view thereof;
 FIG. 6 is a top plan view thereof; and,
 FIG. 7 is a bottom plan view thereof.

1 Claim, 6 Drawing Sheets



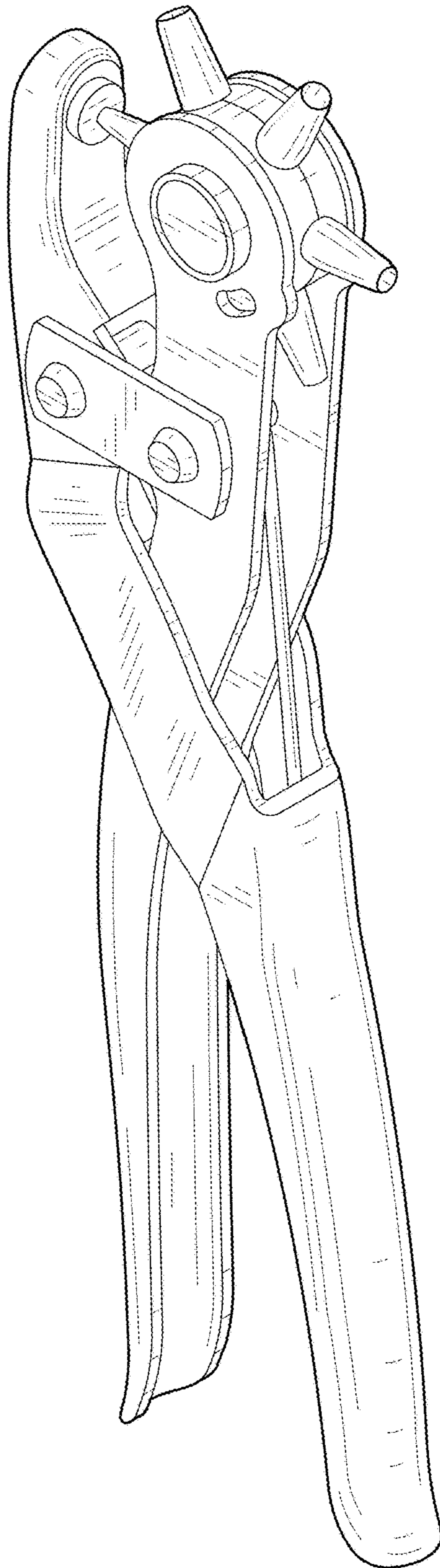


FIG. 1

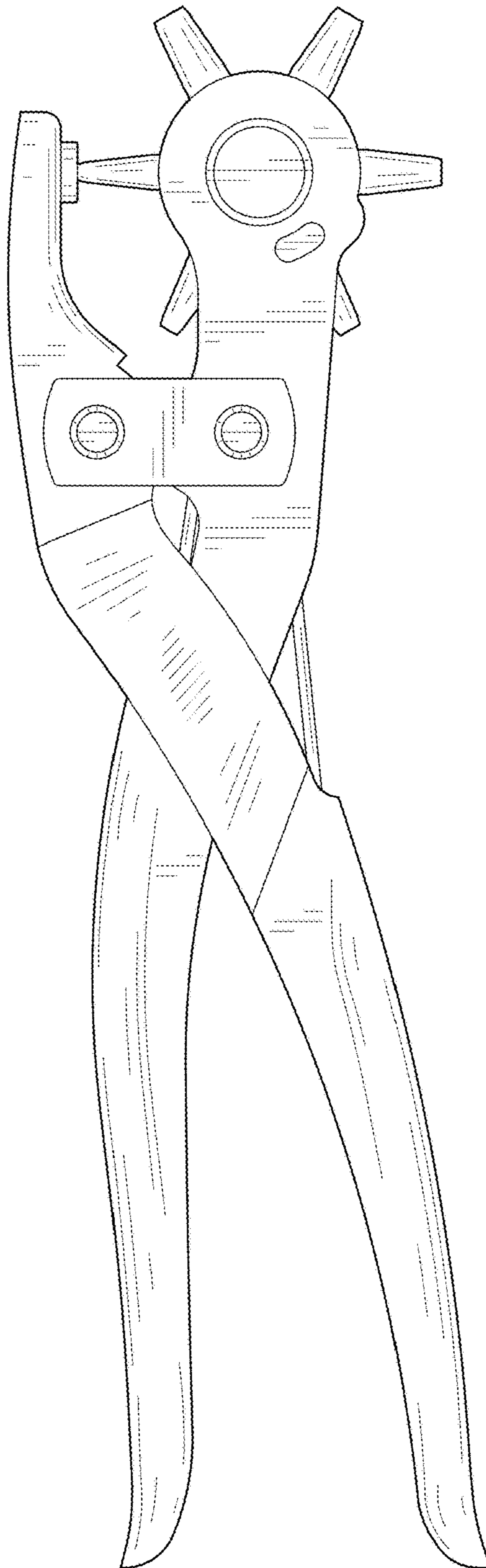


FIG. 2

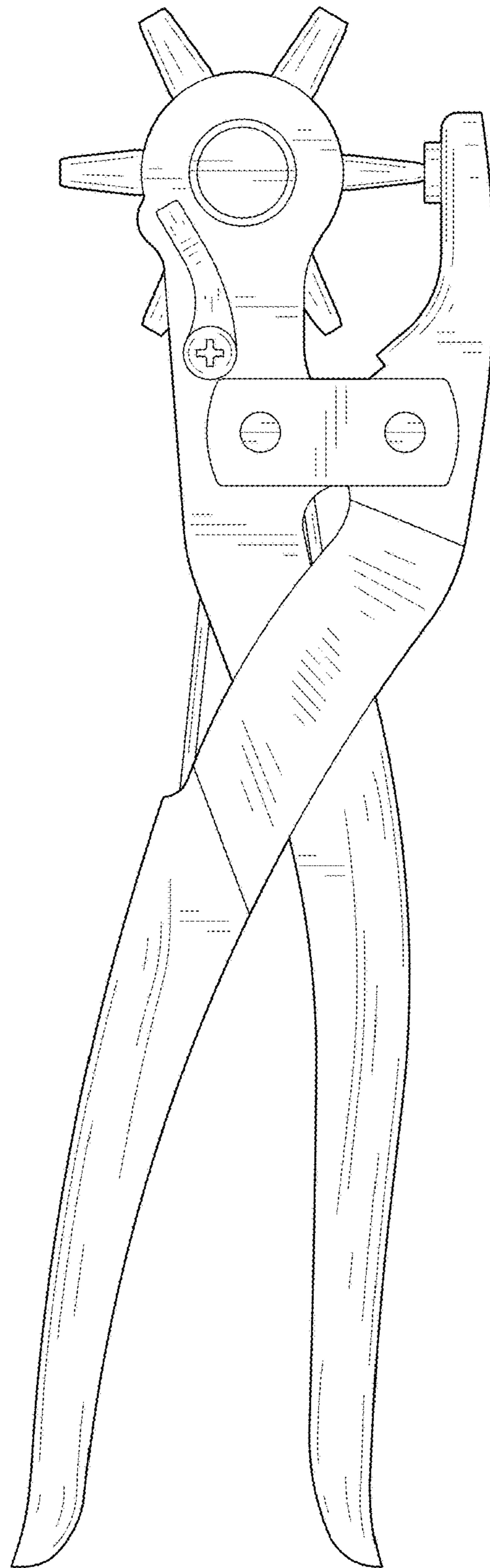


FIG. 3

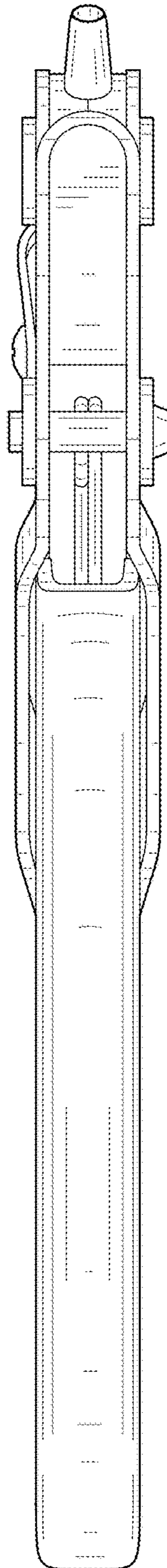


FIG. 4

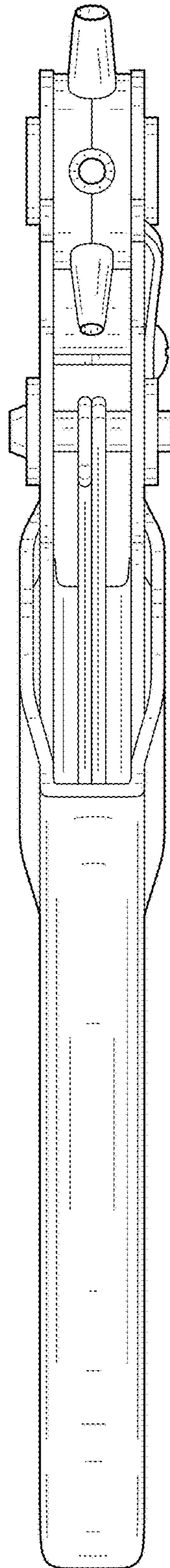


FIG. 5

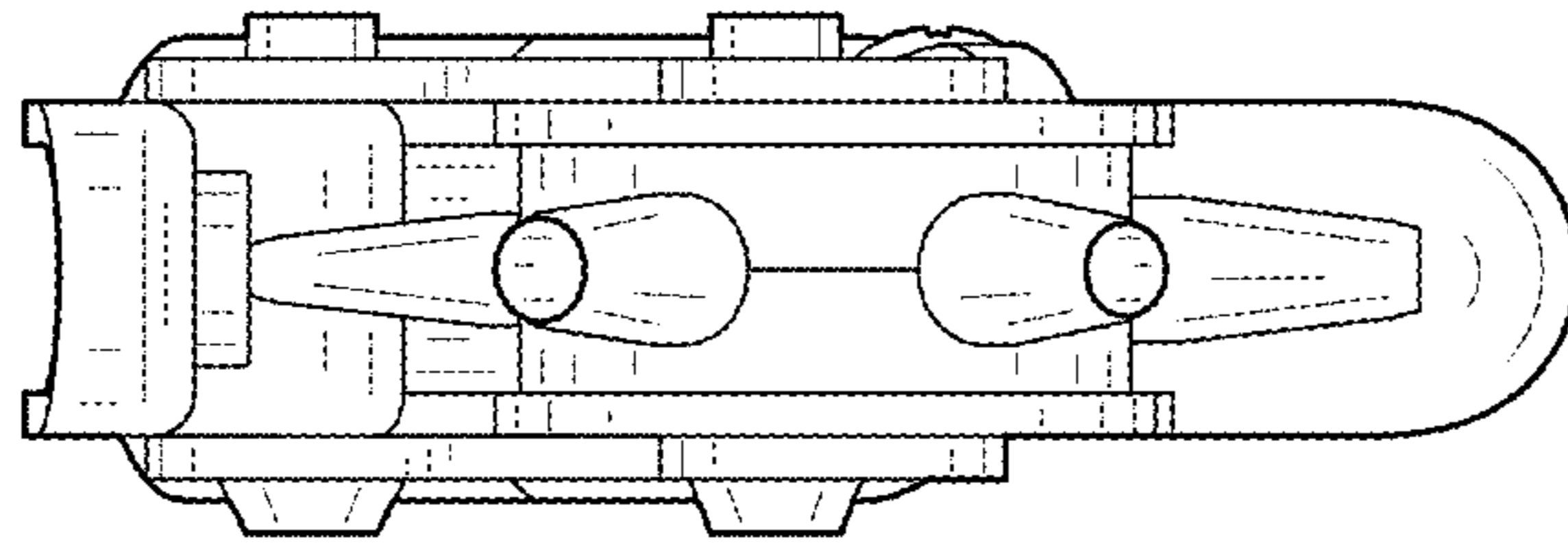


FIG. 6

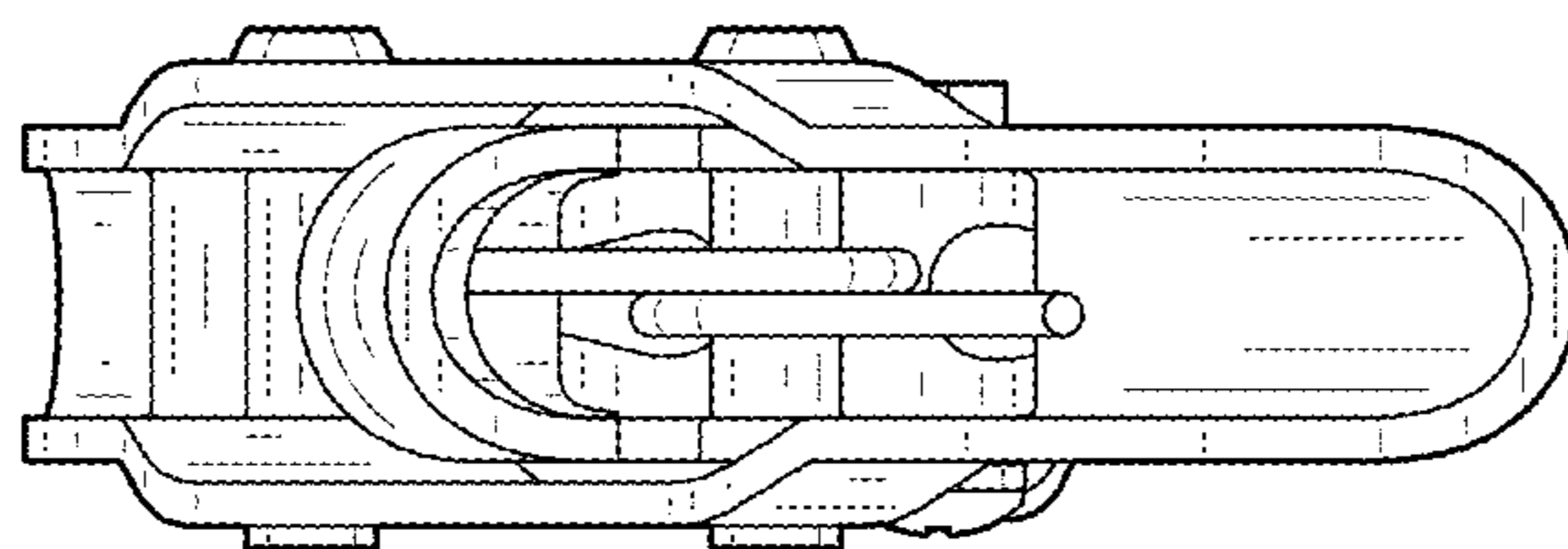


FIG. 7