



US00D830144S

(12) **United States Design Patent**
Chiu

(10) **Patent No.:** **US D830,144 S**
(45) **Date of Patent:** **** Oct. 9, 2018**

- (54) **REMOVER FOR BINDING STRIPS**
- (71) Applicant: **CHILI DEVELOPMENT CO., LTD,**
Taichung (TW)
- (72) Inventor: **Chieh Chiu,** Taichung (TW)
- (73) Assignee: **Chili Development Co., Ltd.,** Taichung
(TW)
- (**) Term: **15 Years**
- (21) Appl. No.: **29/599,569**
- (22) Filed: **Apr. 5, 2017**
- (51) **LOC (11) Cl.** **08-05**
- (52) **U.S. Cl.**
USPC **D8/48**
- (58) **Field of Classification Search**
USPC D8/14, 48, 16, 89, 104, 50; 227/63;
254/21, 28, 30
CPC B25F 1/00; B25C 3/006; B25C 11/00
See application file for complete search history.

- 4,049,236 A * 9/1977 Grill B25C 11/00
254/28
- 4,219,187 A * 8/1980 Brumfield B25C 11/00
254/28
- 8,713,773 B2 * 5/2014 Foxx B25B 27/0028
29/270

* cited by examiner

Primary Examiner — Brandon M Rosati
Assistant Examiner — Harold E Blackwell, II
(74) *Attorney, Agent, or Firm* — Alan D. Kamrath;
Kamrath IP Lawfirm, P.A.

(57) **CLAIM**

The ornamental design for remover for binding strips, as shown and described.

DESCRIPTION

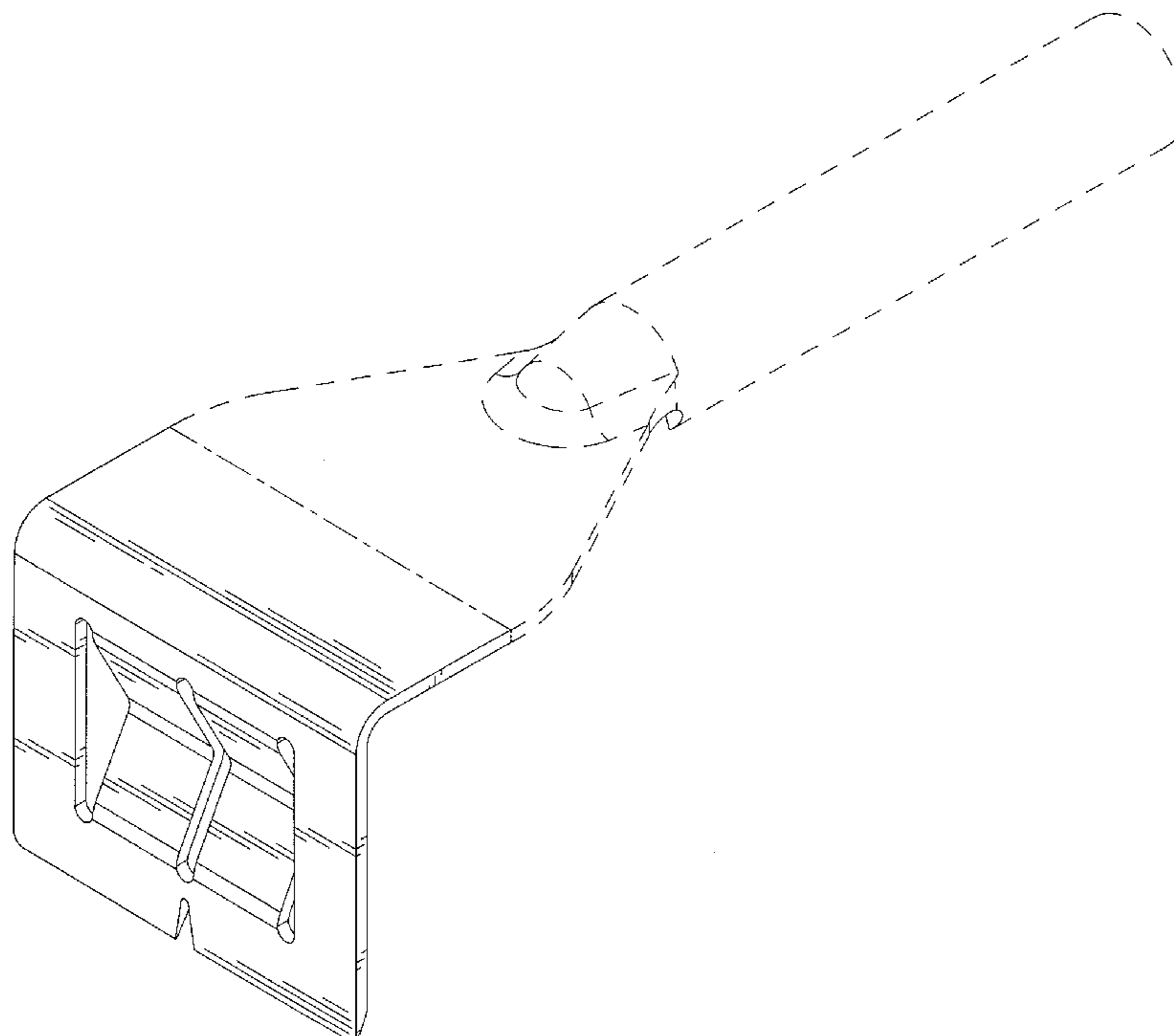
FIG. 1 is a perspective view of a remover for binding strips showing my new design;
FIG. 2 is a front view thereof;
FIG. 3 is a rear view thereof;
FIG. 4 is a left view thereof;
FIG. 5 is a right view thereof;
FIG. 6 is a top view thereof; and,
FIG. 7 is a bottom view thereof.
The dot dash dot lines immediately adjacent to the shaded areas represent bounds of the claimed design. The broken lines of the remover for binding strips are directed to unclaimed portions and form no part of the claimed design.

1 Claim, 7 Drawing Sheets

(56) **References Cited**

U.S. PATENT DOCUMENTS

- 2,079,672 A * 5/1937 Allen B25C 11/02
24/40
- 2,688,134 A * 9/1954 Kane B25C 11/00
72/479
- 3,698,689 A * 10/1972 Poskin B25C 11/00
254/28



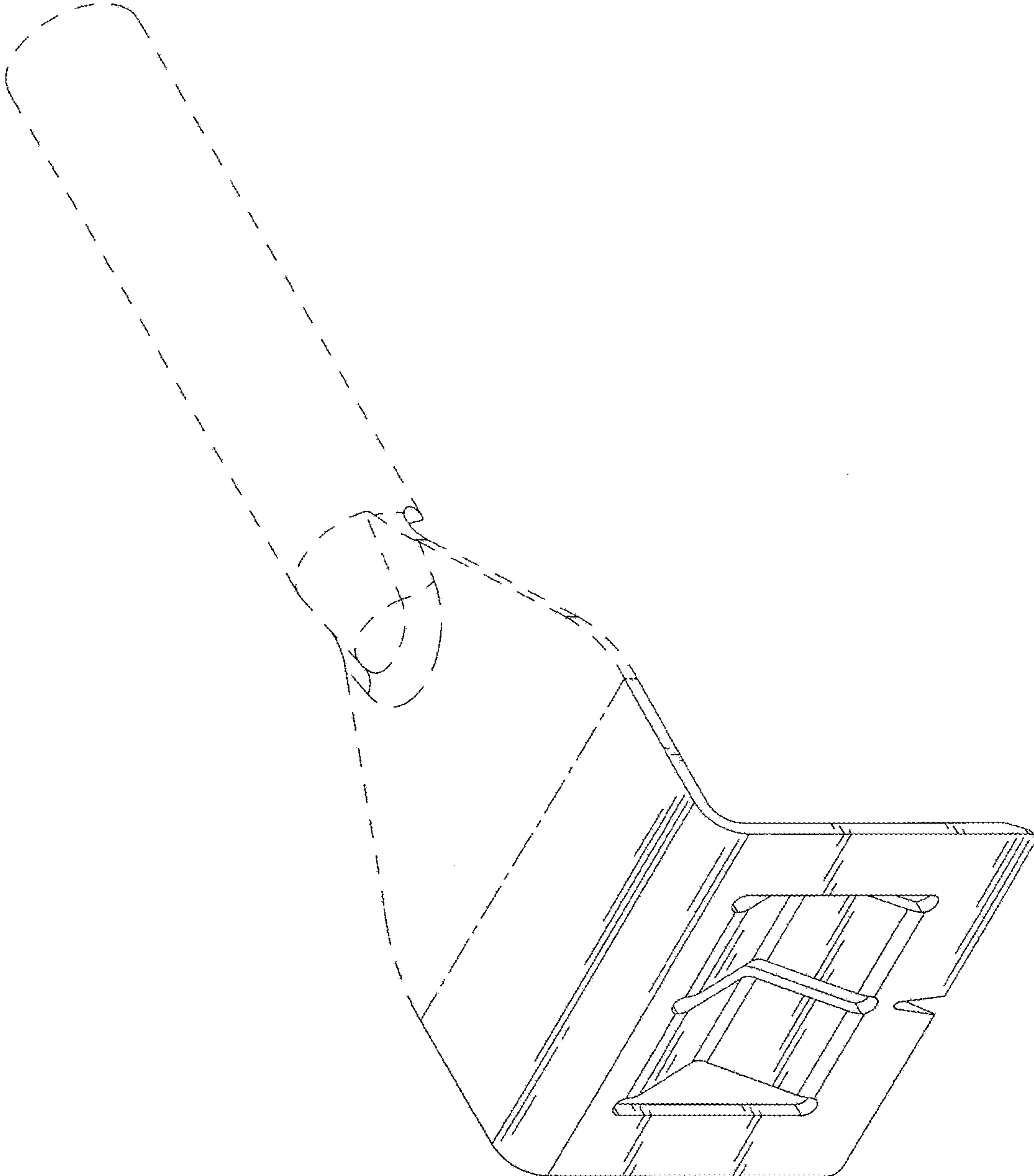


FIG. 1

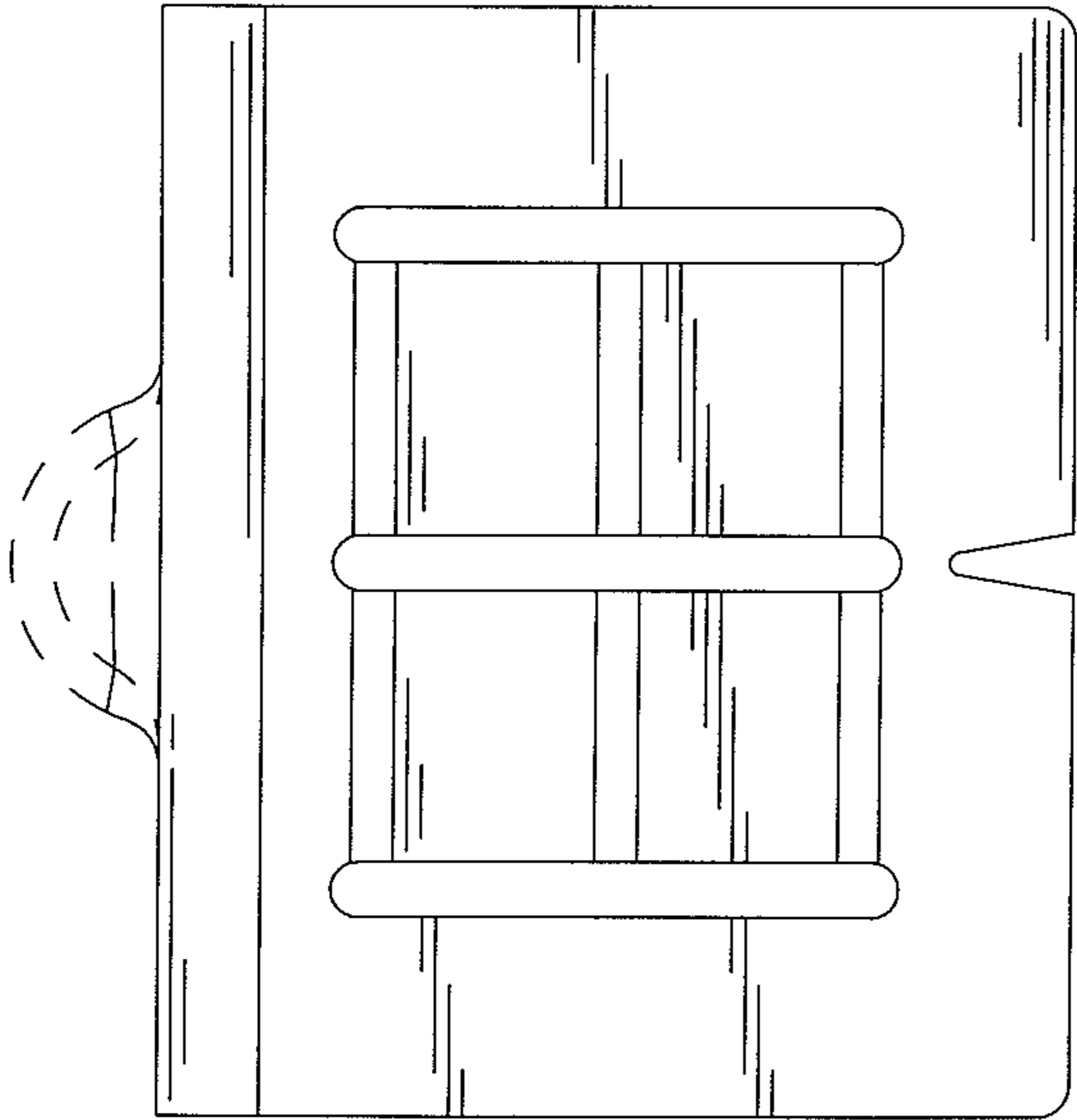


FIG. 2

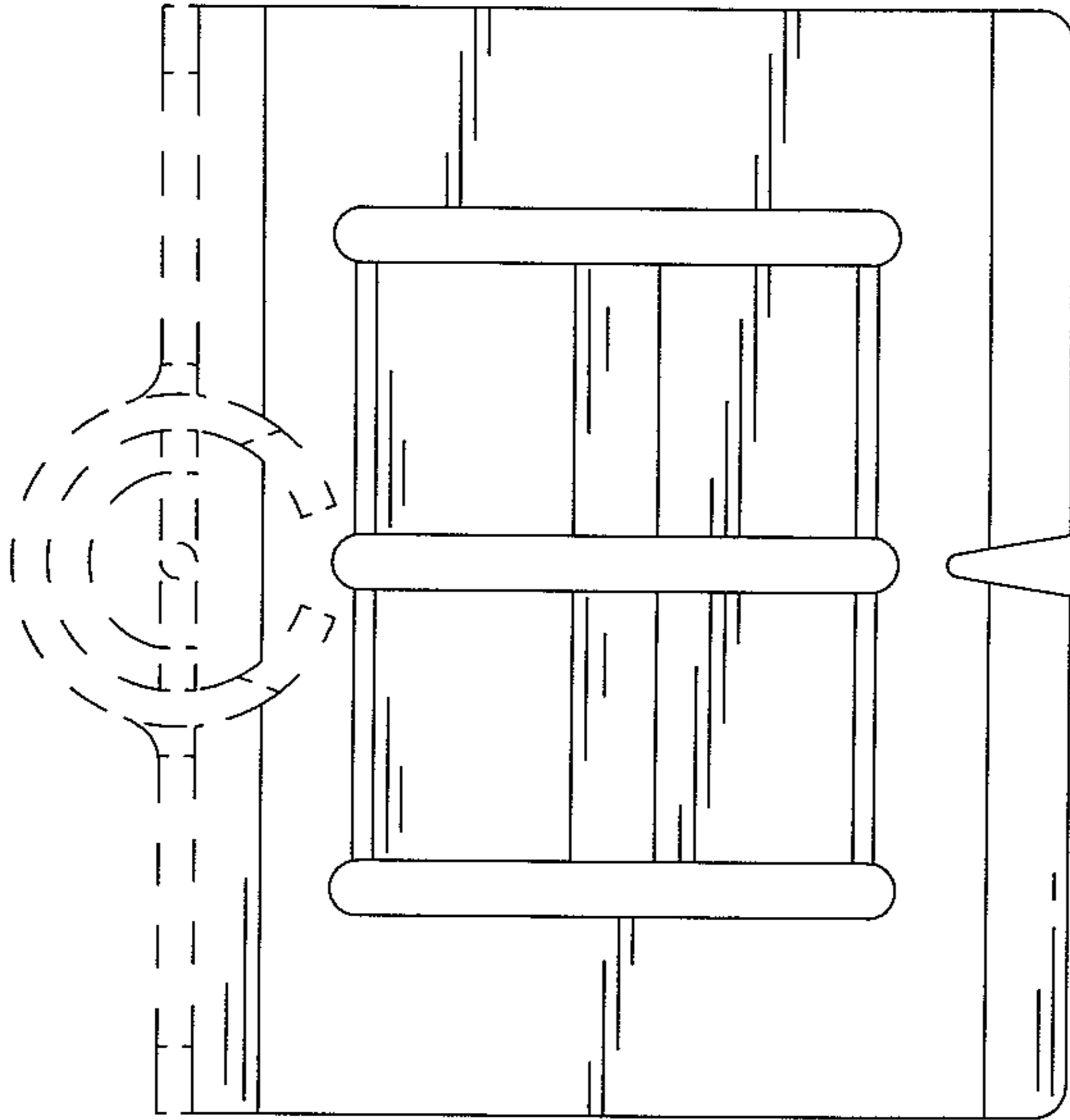


FIG. 3

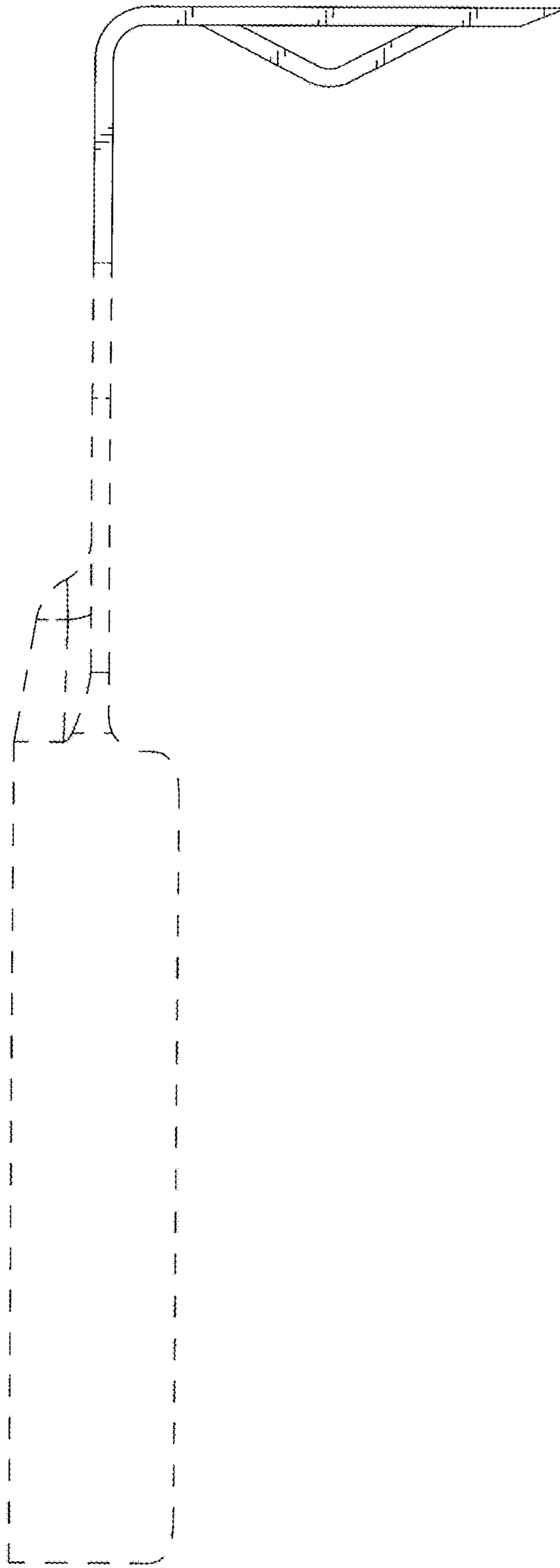


FIG. 4

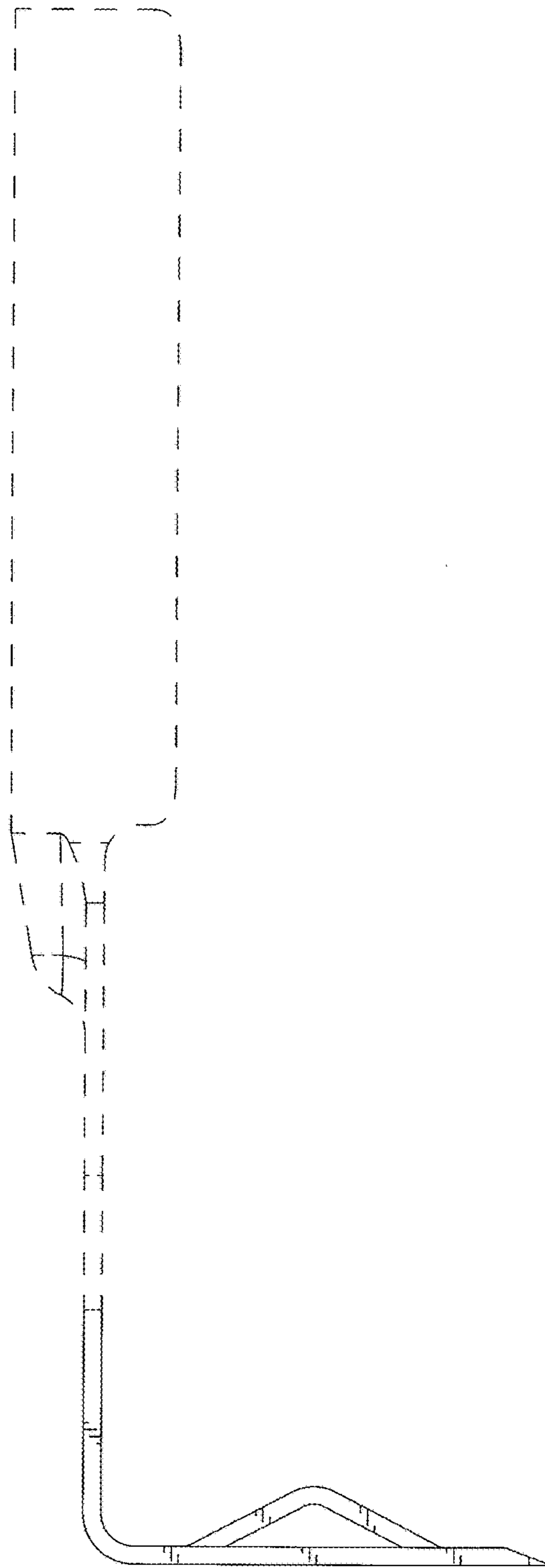


FIG. 5

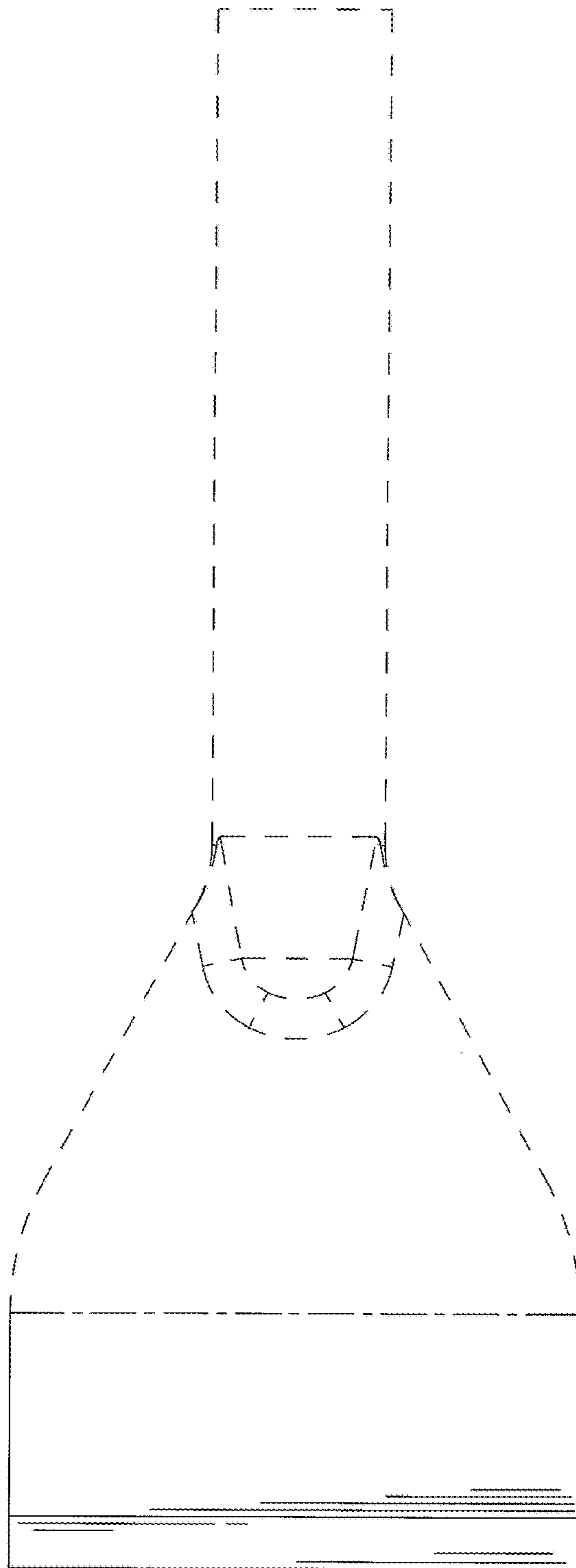


FIG. 6

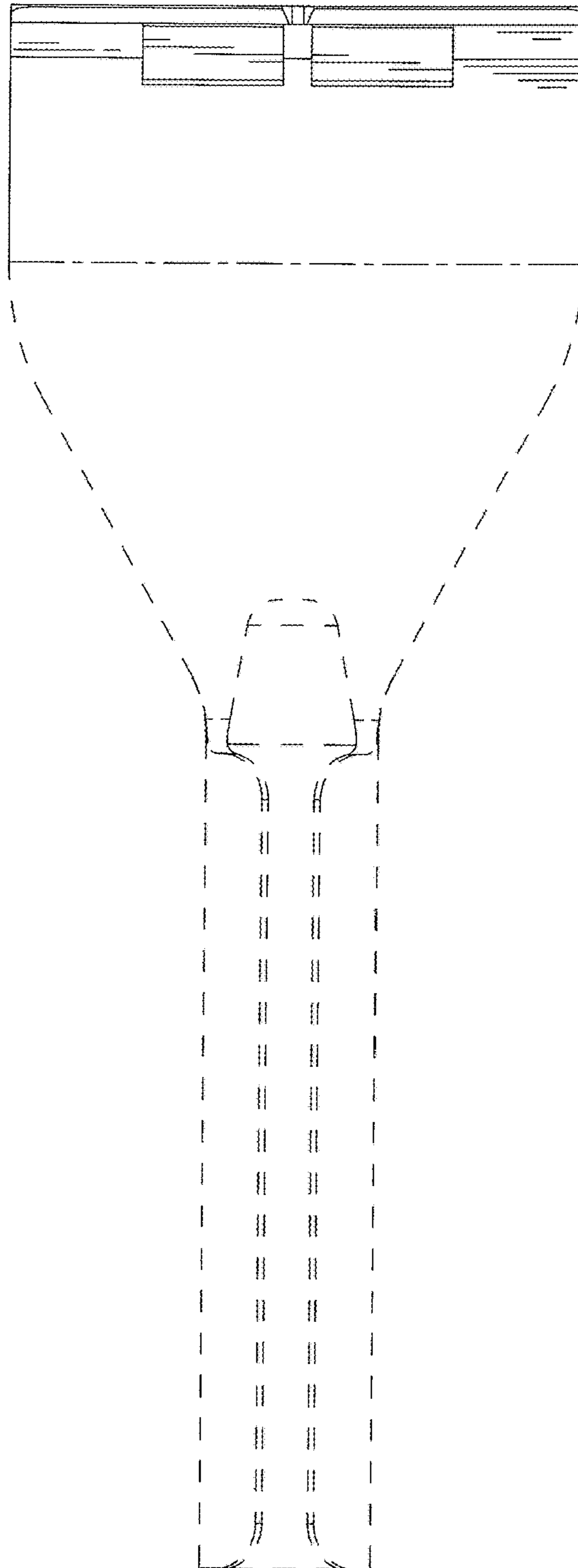


FIG. 7