



US00D830143S

(12) **United States Design Patent** (10) **Patent No.:** **US D830,143 S**
Knirr (45) **Date of Patent:** **** Oct. 9, 2018**

(54) **ELECTRIC CORKSCREW**
(71) Applicant: **Aaron Knirr**, Wildwood, MO (US)
(72) Inventor: **Aaron Knirr**, Wildwood, MO (US)
(**) Term: **15 Years**
(21) Appl. No.: **29/594,496**
(22) Filed: **Feb. 18, 2017**
(51) **LOC (11) Cl.** **07-06**
(52) **U.S. Cl.**
USPC **D8/42**
(58) **Field of Classification Search**
USPC D8/18, 26, 34, 33, 36, 38, 42, 305, 335,
D8/351, 499; D22/141, 200; D9/723,
D9/724, 726, 680, 499, 516, 521, 764;
D28/4, 6, 22, 44.1, 73, 79, 99, 87;
D21/301, 573, 574, 575; 7/154
CPC B25F 1/00; B25F 1/04; B67B 7/00; B67B
7/04; B67B 7/0405; B67B 7/0423; B67B
7/06; B67B 7/44
See application file for complete search history.

(56) **References Cited**
U.S. PATENT DOCUMENTS

855,439 A	6/1907	Adrianson
D71,190 S	10/1926	Kelly
1,860,112 A	5/1932	Moore
D170,537 S	10/1953	Lanning
D179,657 S	2/1957	Pittman
2,830,398 A	4/1958	Donohue
D212,751 S	11/1968	Ruger
D251,913 S	5/1979	Romano
4,378,651 A	4/1983	Pachmayr et al.
4,445,688 A	5/1984	Frillici et al.
4,625,445 A	12/1986	Ruger
4,742,635 A	5/1988	Ruger et al.
D296,349 S	6/1988	Ruger et al.
D297,344 S	8/1988	Ruger et al.
4,769,936 A	9/1988	Miller

D299,674 S	1/1989	Domian
4,970,819 A	11/1990	Mayhak
4,971,322 A	11/1990	Jager
D338,054 S	8/1993	Cummings
5,235,763 A	8/1993	Nosier et al.
5,351,579 A	10/1994	Metz et al.
5,649,869 A	7/1997	Infantino et al.
5,662,241 A	9/1997	Sorensen
D403,562 S *	1/1999	Molaro D8/33
D428,467 S	7/2000	Petrosyan
6,151,741 A	11/2000	Chen
6,418,653 B1	7/2002	Bowles
D472,600 S *	4/2003	Dehaan D21/574
D476,054 S	6/2003	Palmisciano, Jr.
D479,120 S	9/2003	Rodriguez, Jr.
6,640,665 B1	11/2003	Williamson

(Continued)

FOREIGN PATENT DOCUMENTS

DE 3713263 A1 * 11/1988 B67B 7/0405

Primary Examiner — Wan Laymon
Assistant Examiner — Clint A Samuel
(74) *Attorney, Agent, or Firm* — Quickpatents, LLC;
Kevin Prince

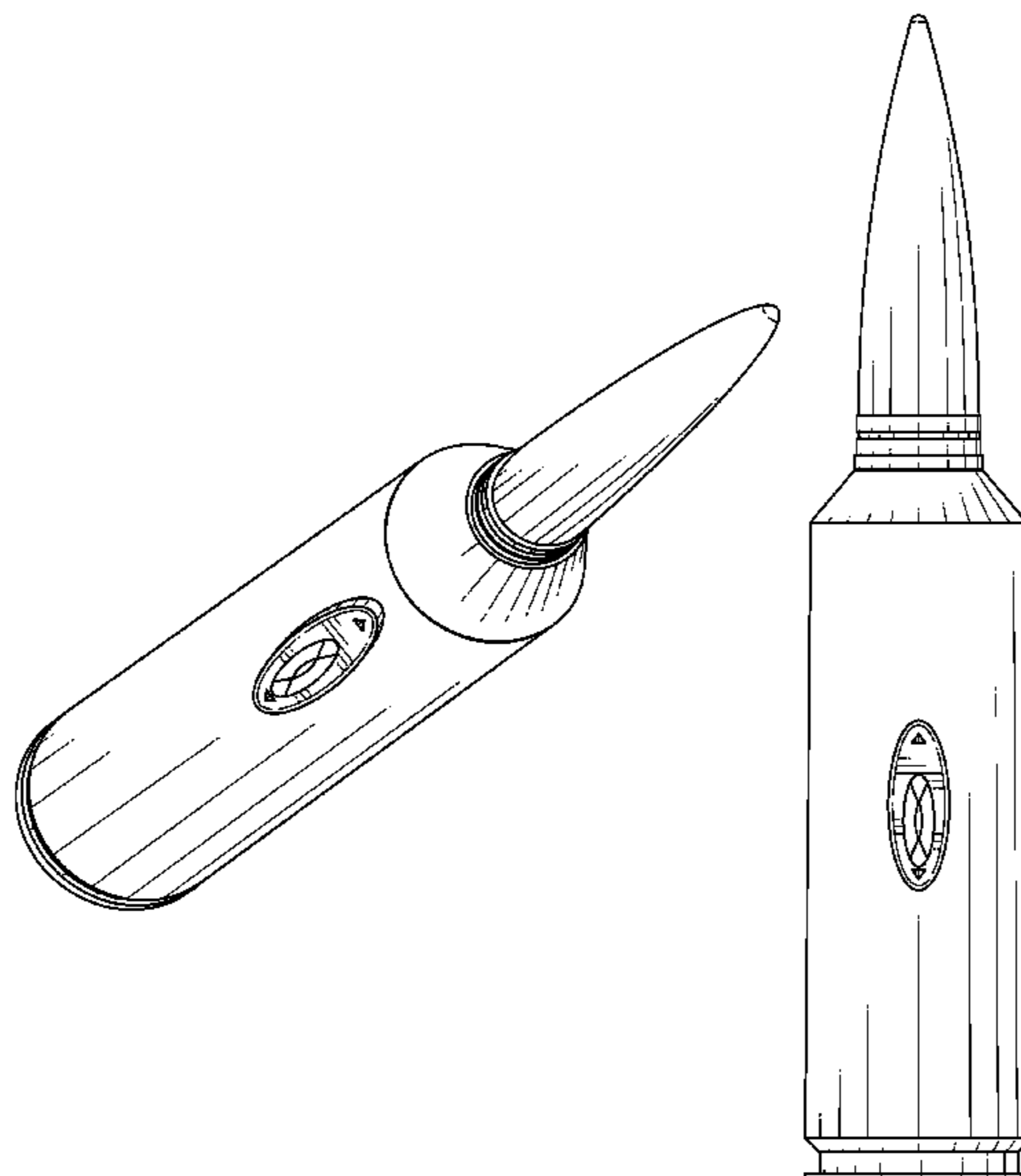
(57) **CLAIM**

I claim the ornamental design for an electric corkscrew, as shown and described.

DESCRIPTION

FIG. 1 is a top perspective view of an electric corkscrew, showing my new design;
FIG. 2 is a bottom perspective view thereof;
FIG. 3 is a front elevational view thereof;
FIG. 4 is a rear elevational view thereof;
FIG. 5 is a right-side elevational view thereof, the left-side elevational view being a mirror image thereof;
FIG. 6 is a top plan view thereof; and,
FIG. 7 is a bottom plan view thereof.

1 Claim, 5 Drawing Sheets



(56)

References Cited

U.S. PATENT DOCUMENTS

6,790,401 B2 9/2004 Yasuo
 D498,997 S 11/2004 Corredor
 7,052,406 B2 5/2006 Suzuki
 D546,191 S 7/2007 Kato
 D548,098 S 8/2007 Lauret
 D558,545 S 1/2008 Chan et al.
 D558,546 S 1/2008 Chan et al.
 D561,041 S 2/2008 Sajous
 D623,539 S * 9/2010 deVirag D9/724
 D646,166 S * 10/2011 Chupak D9/500
 D646,179 S * 10/2011 Jansen D22/116
 D649,210 S 11/2011 Page
 RE43,104 E 1/2012 Rica
 D652,463 S 1/2012 Hoff
 D656,803 S * 4/2012 Carley D8/33
 D658,730 S 5/2012 Olivo
 D658,997 S 5/2012 Potts
 D668,307 S 10/2012 Grimm
 D669,363 S * 10/2012 Traskal D9/680
 D670,985 S * 11/2012 Tompkin D26/49

D678,068 S 3/2013 Huang
 8,667,867 B2 3/2014 Mills et al.
 D708,955 S 7/2014 Moglia
 D717,171 S 11/2014 Delacourt
 D739,195 S * 9/2015 Scharch D8/38
 D749,383 S * 2/2016 Crane D8/18
 D751,167 S * 3/2016 Chua D22/116
 D754,502 S * 4/2016 Cozzolino D8/42
 D759,189 S * 6/2016 Pederson D22/116
 9,408,779 B2 8/2016 Stewart
 D767,759 S * 9/2016 McMillon-Nixon D24/141
 D768,802 S * 10/2016 Bowers D22/116
 D781,394 S * 3/2017 Bowers D22/116
 D791,265 S * 7/2017 Burczynski D22/115
 D808,822 S * 1/2018 Villarreal D9/724
 2002/0069568 A1 6/2002 Bowles
 2003/0109317 A1 6/2003 Yasuo
 2004/0180727 A1 9/2004 Suzuki
 2009/0221378 A1 9/2009 Suzuki
 2011/0244974 A1 10/2011 White et al.
 2015/0122415 A1 5/2015 Van Nguyen
 2016/0185582 A1 * 6/2016 Crane B67B 7/0423
 81/3.09

* cited by examiner

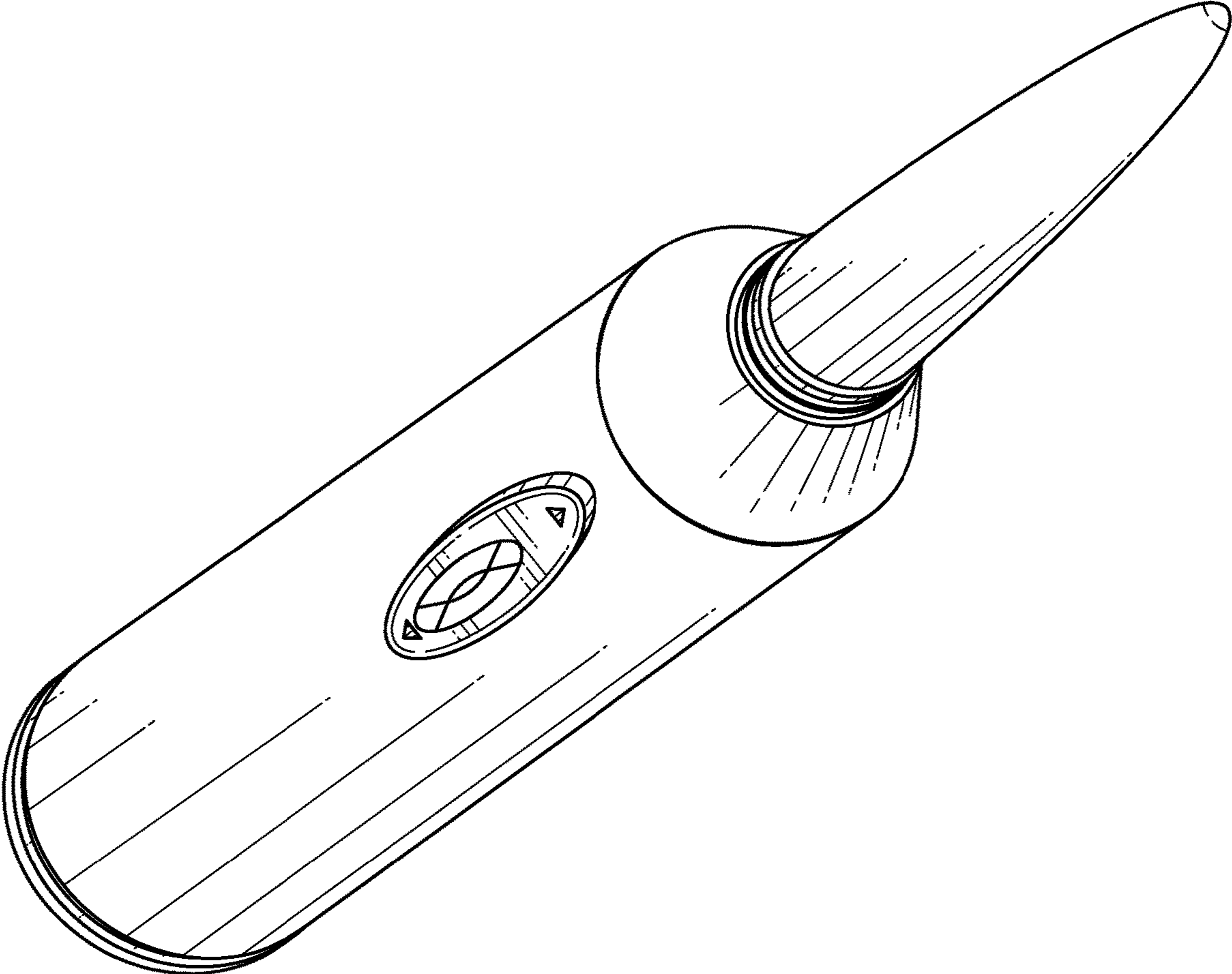


FIG. 1

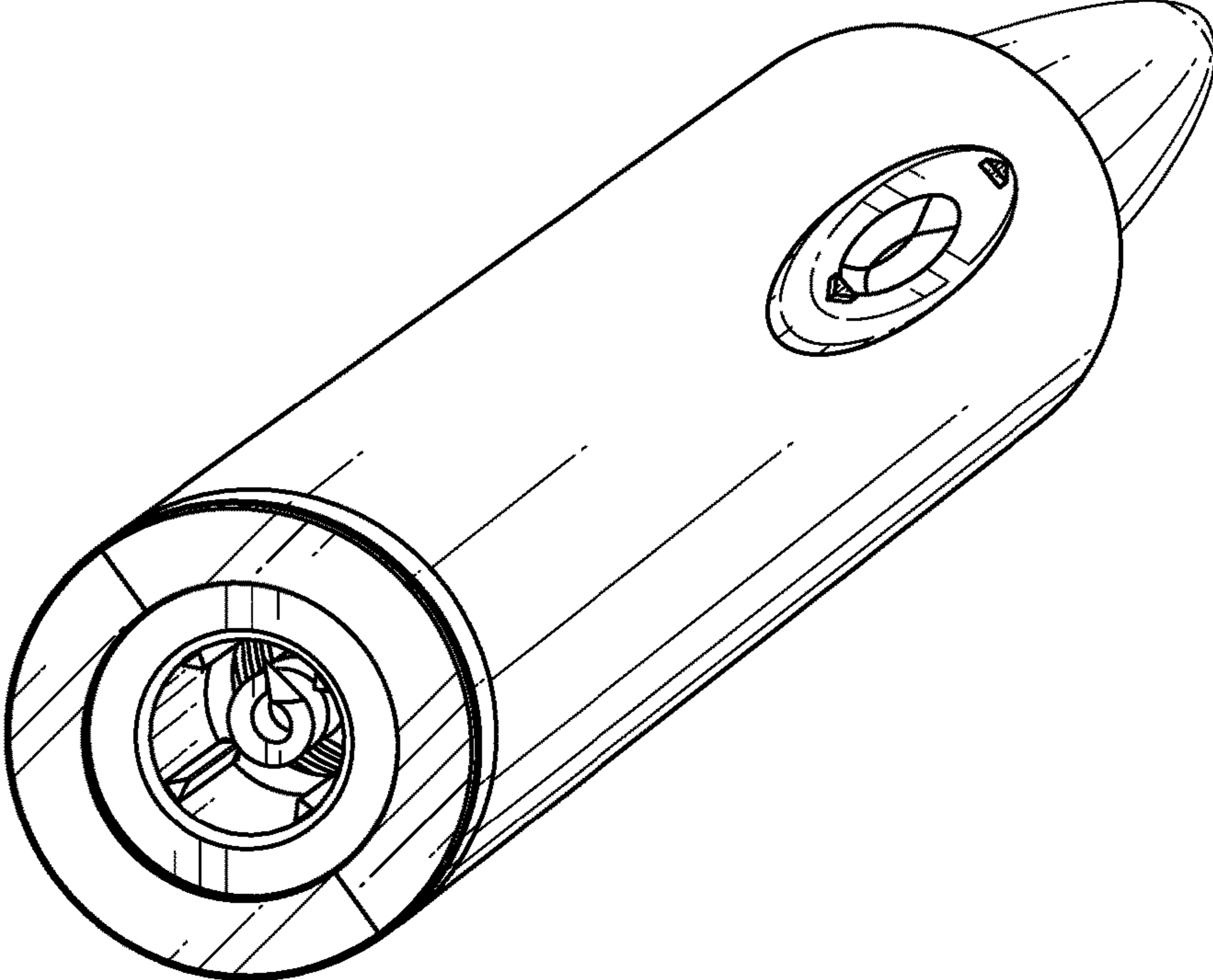


FIG. 2

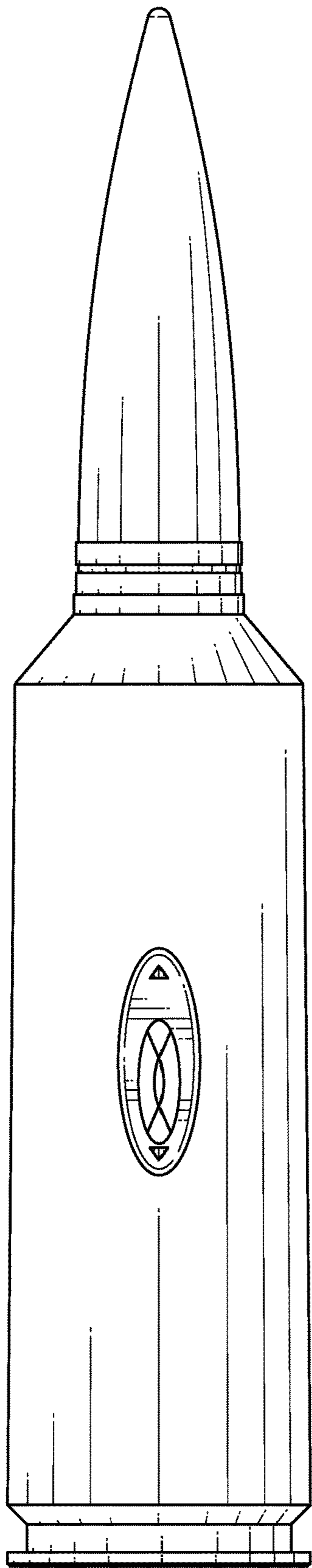


FIG. 3

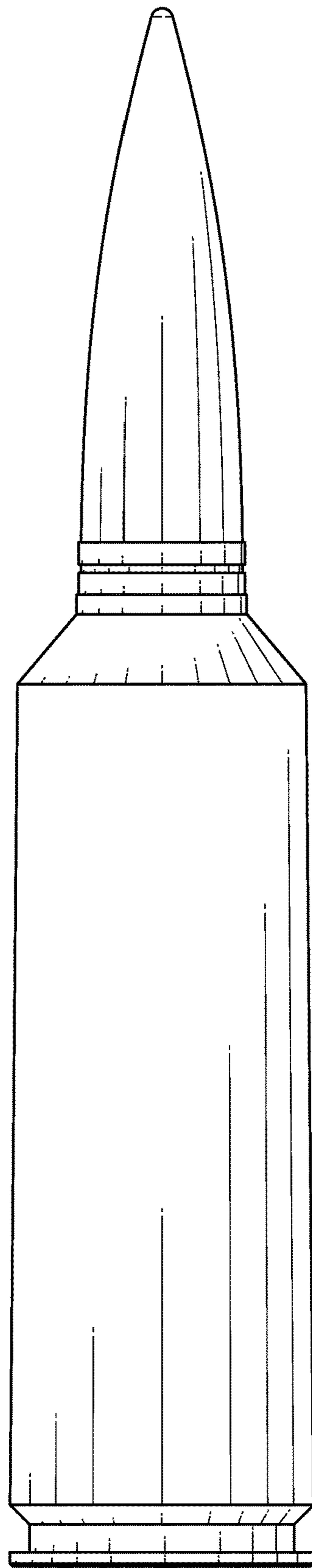


FIG. 4

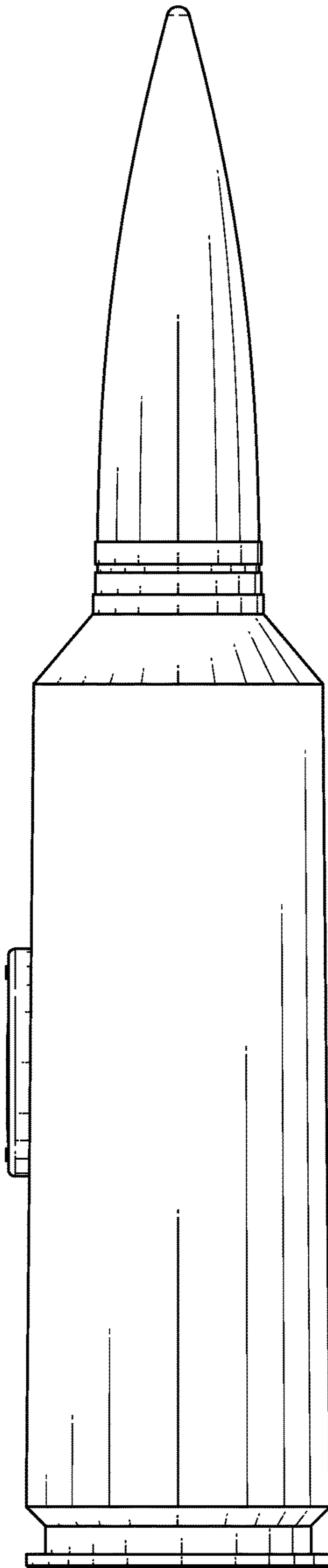


FIG. 5

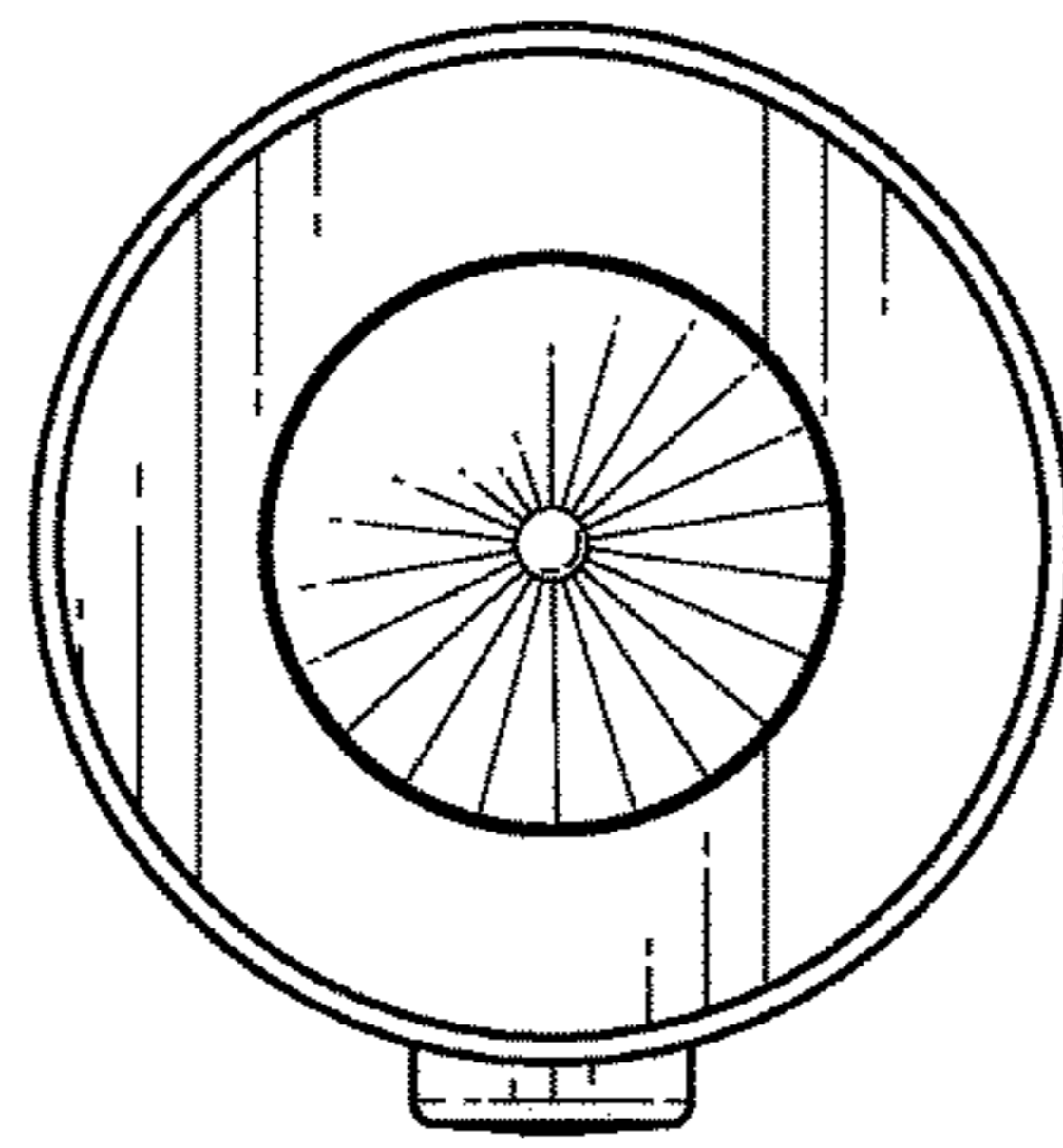


FIG. 6

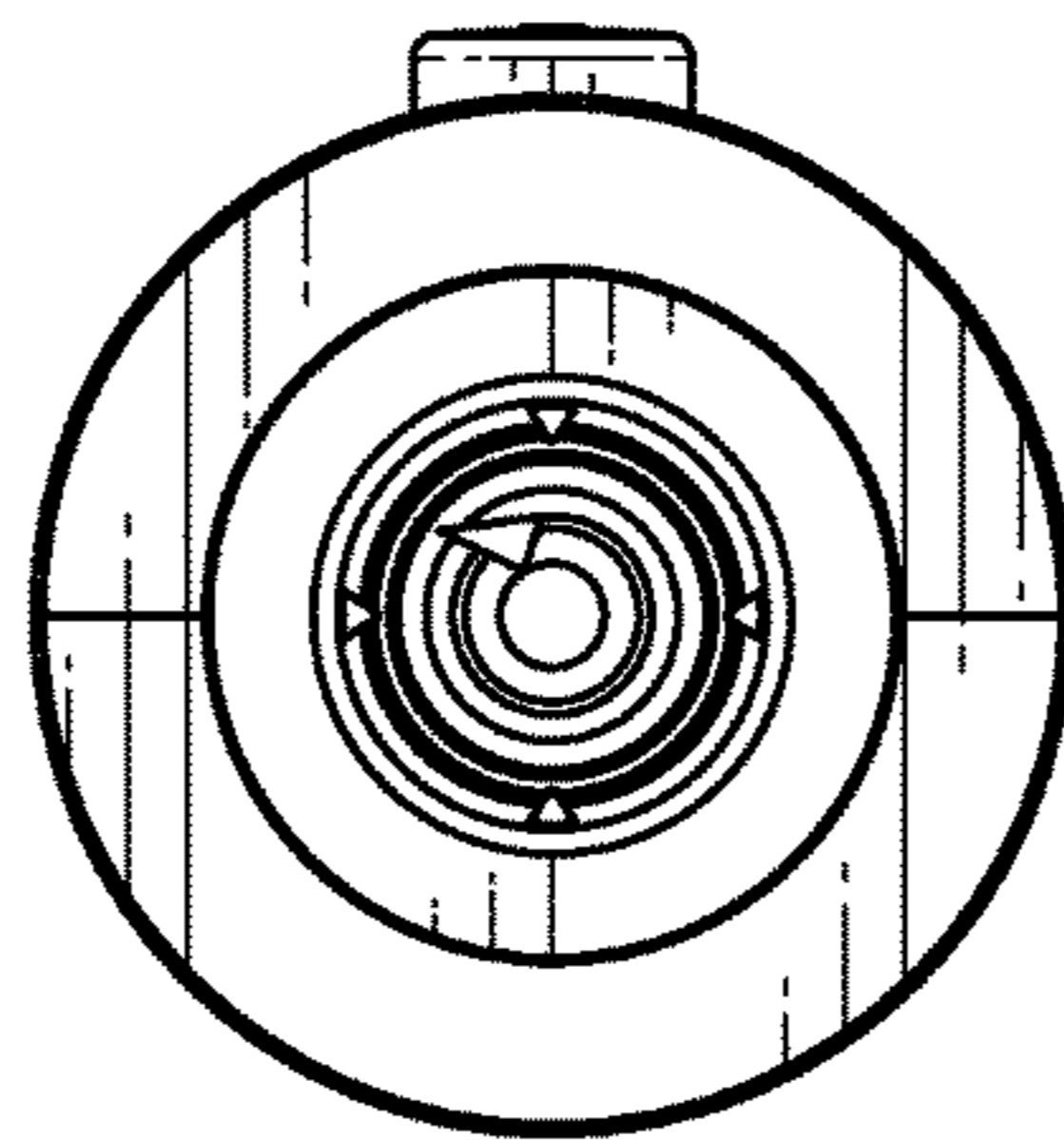


FIG. 7