



US00D830140S

(12) **United States Design Patent**
Chen

(10) **Patent No.:** **US D830,140 S**
(45) **Date of Patent:** **** Oct. 9, 2018**

(54) **VEGETABLE PROCESSOR**
(71) Applicant: **SHUANGMA PLASTIC MANUFACTURING INC.**, Linhai, Zhejiang Province (CN)
(72) Inventor: **Cui-Hong Chen**, Linhai (CN)
(73) Assignee: **SHUANGMA PLASTIC MANUFACTURING INC.**, Linhai, Zhejiang Province (CN)
(**) Term: **15 Years**
(21) Appl. No.: **29/603,817**
(22) Filed: **May 12, 2017**

6,516,713 B1 * 2/2003 Holmander A23N 7/026 99/541
6,854,383 B2 * 2/2005 Wang A47J 17/16 99/542
7,077,058 B2 * 7/2006 Muro A47J 17/16 99/541
D689,348 S * 9/2013 Wong D7/693
8,789,781 B2 * 7/2014 Sampaio A47J 43/255 241/169.2
D747,916 S * 1/2016 Wong D7/381
D779,294 S * 2/2017 Friedman D7/693
D793,181 S * 8/2017 Wong D7/693
2012/0090480 A1 * 4/2012 Caspar B26D 3/11 99/537
2016/0250768 A1 * 9/2016 Levine B26D 3/11 83/52
2016/0257013 A1 * 9/2016 Exley B26D 3/11

* cited by examiner

(30) **Foreign Application Priority Data**

Feb. 23, 2017 (CN) 2017 3 0048884

(51) **LOC (11) Cl.** **07-04**

(52) **U.S. Cl.**
USPC **D7/693; D7/381**

(58) **Field of Classification Search**
USPC D7/693, 381-384, 669, 368, 372
CPC B26D 3/11; B26D 7/0666; A47J 17/00; A47J 17/02; A47J 17/16; A23N 7/002; A23N 7/026
See application file for complete search history.

(56) **References Cited**

U.S. PATENT DOCUMENTS

5,105,735 A * 4/1992 Gonzalvo A47J 17/16 99/590
5,690,022 A * 11/1997 Chai A23N 7/026 99/541
6,053,098 A * 4/2000 Yamamoto B26D 3/11 83/425.1

Primary Examiner — Terry A Wallace

(74) *Attorney, Agent, or Firm* — Locke Lord LLP; Tim Tingkang Xia, Esq.

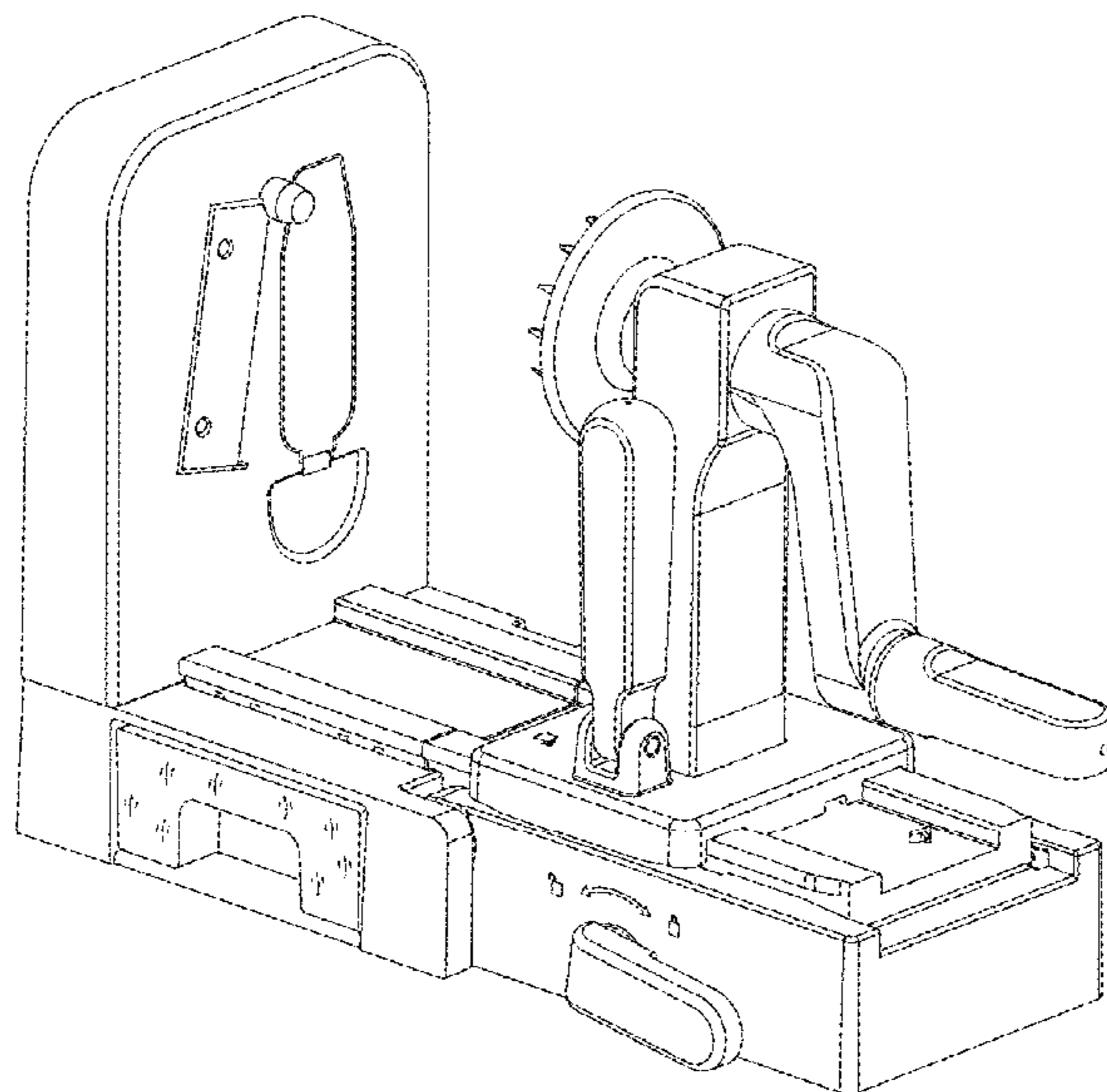
(57) **CLAIM**

The ornamental design for a vegetable processor, as shown and described.

DESCRIPTION

FIG. 1 is a perspective view of a vegetable processor according to our new design;
FIG. 2 is a front elevation view thereof;
FIG. 3 is a rear elevation view thereof;
FIG. 4 is a left side elevation view thereof;
FIG. 5 is a right side elevation view thereof;
FIG. 6 is a top plan view thereof;
FIG. 7 is a bottom plan view thereof;
FIG. 8 is a rear elevation view thereof in a folded state; and,
FIG. 9 is a perspective view thereof in a folded state.

1 Claim, 9 Drawing Sheets



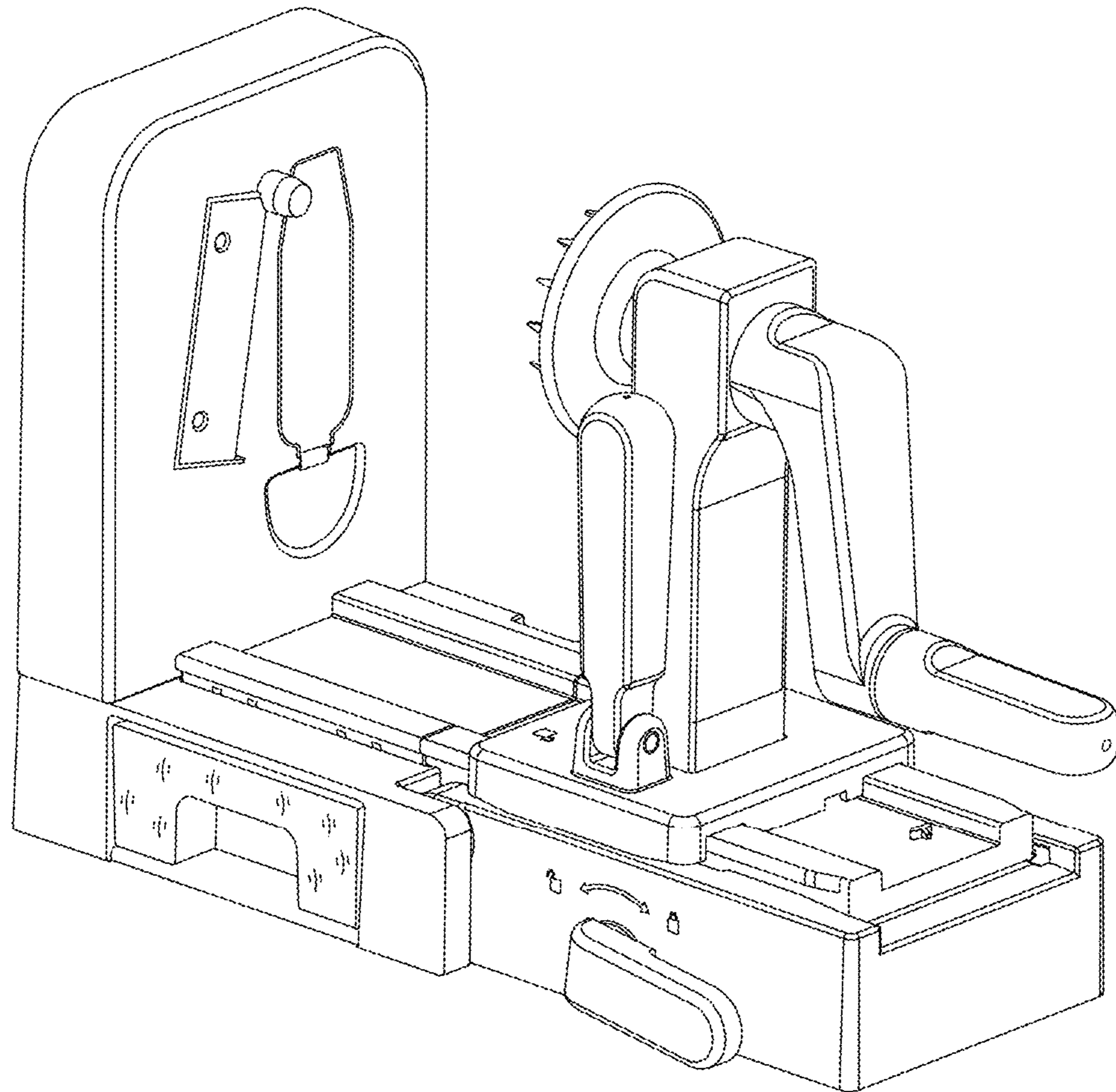


FIG. 1

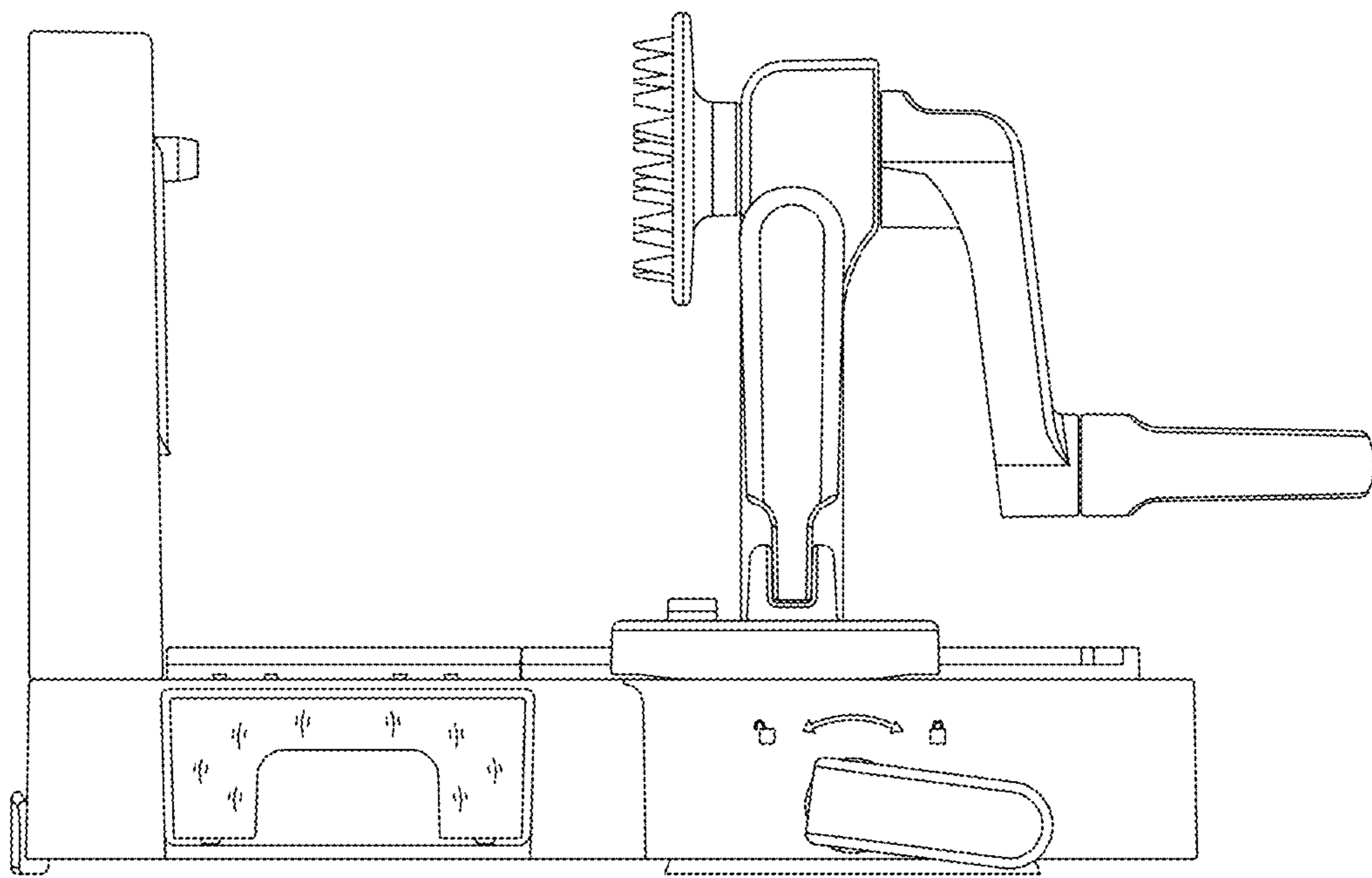


FIG. 2

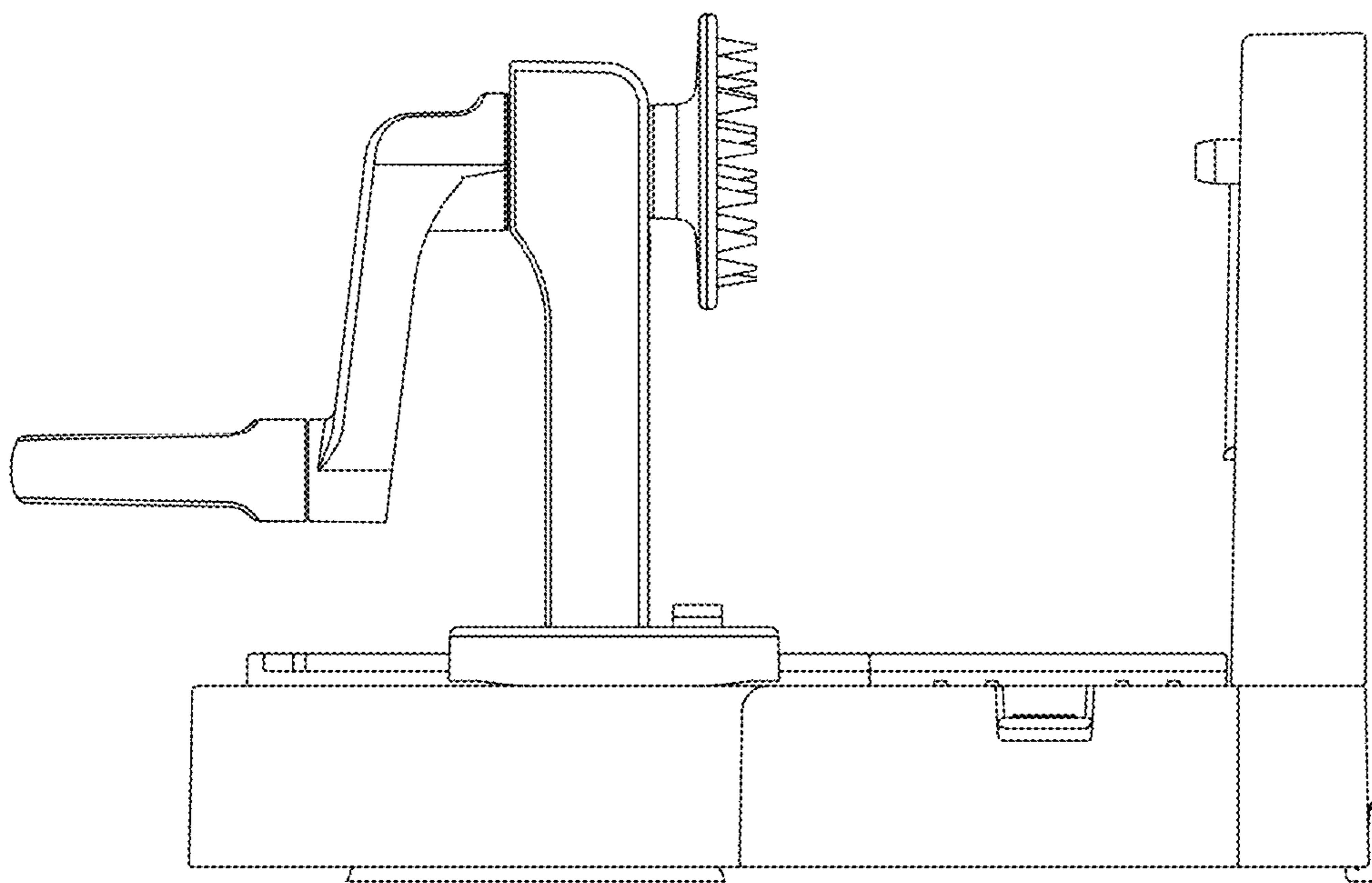


FIG. 3

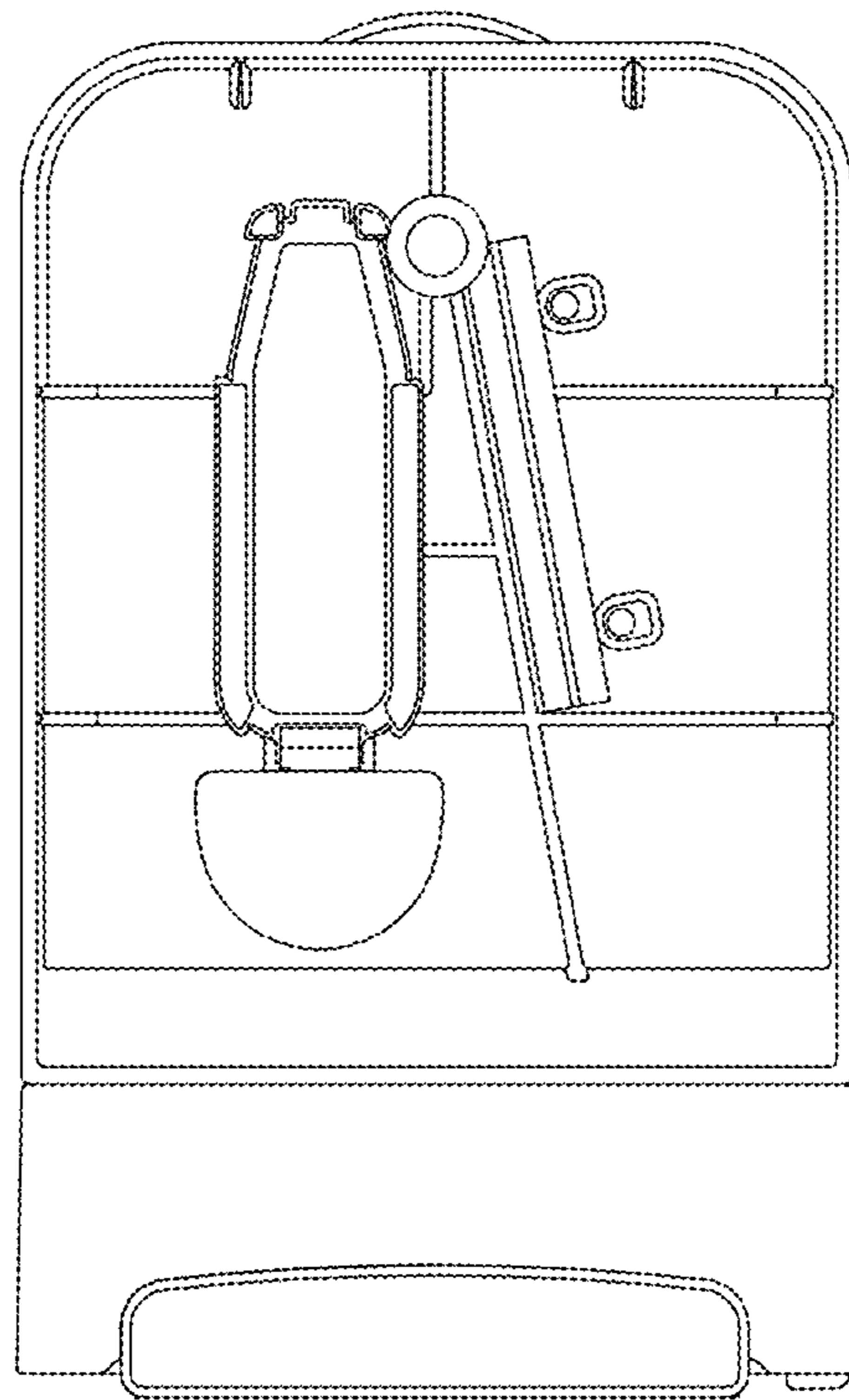


FIG. 4

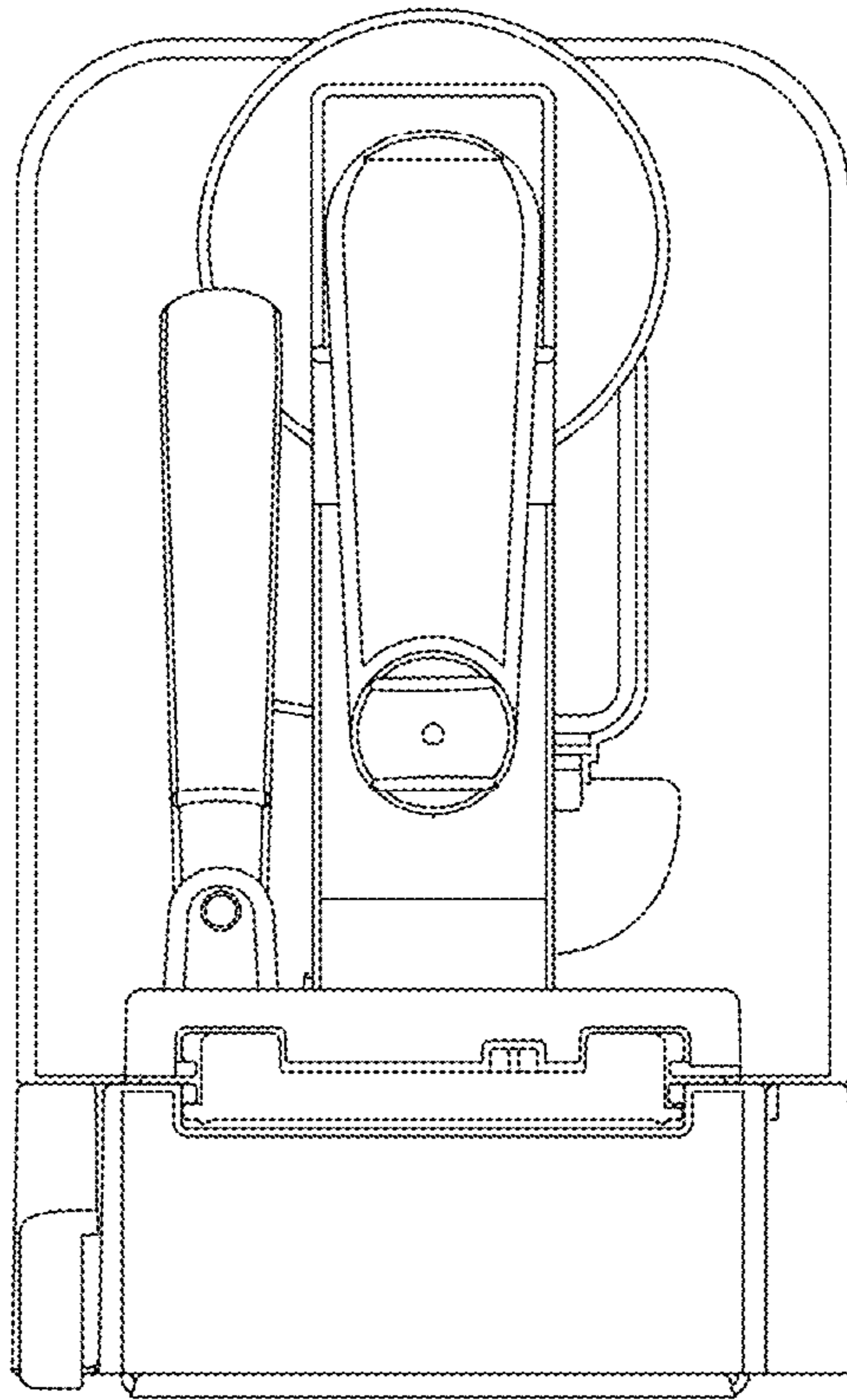


FIG. 5

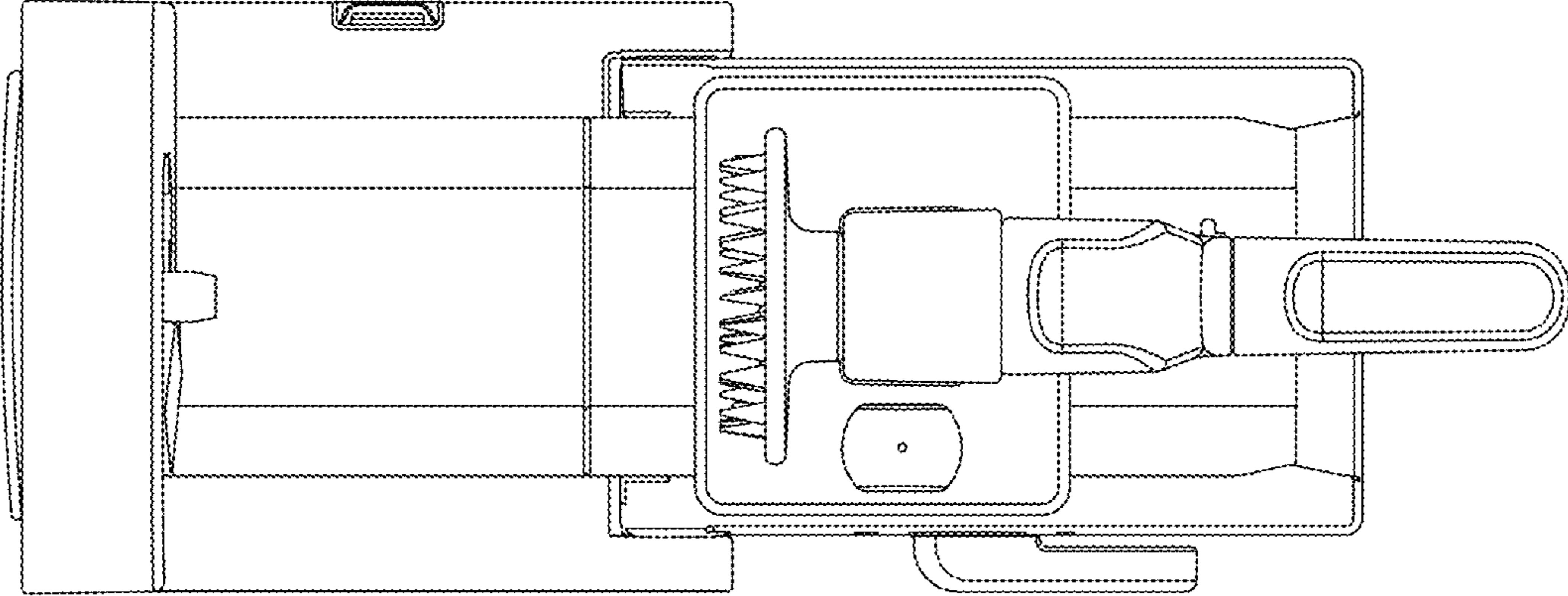


FIG. 6

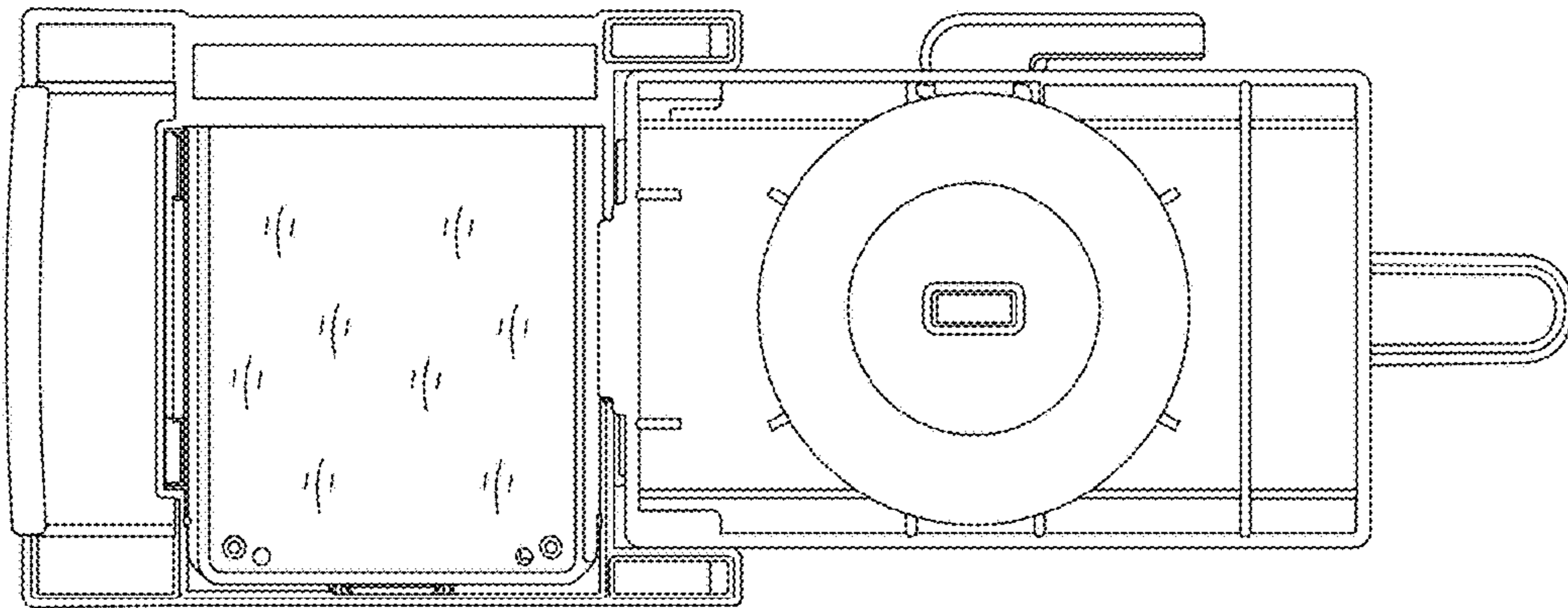


FIG. 7

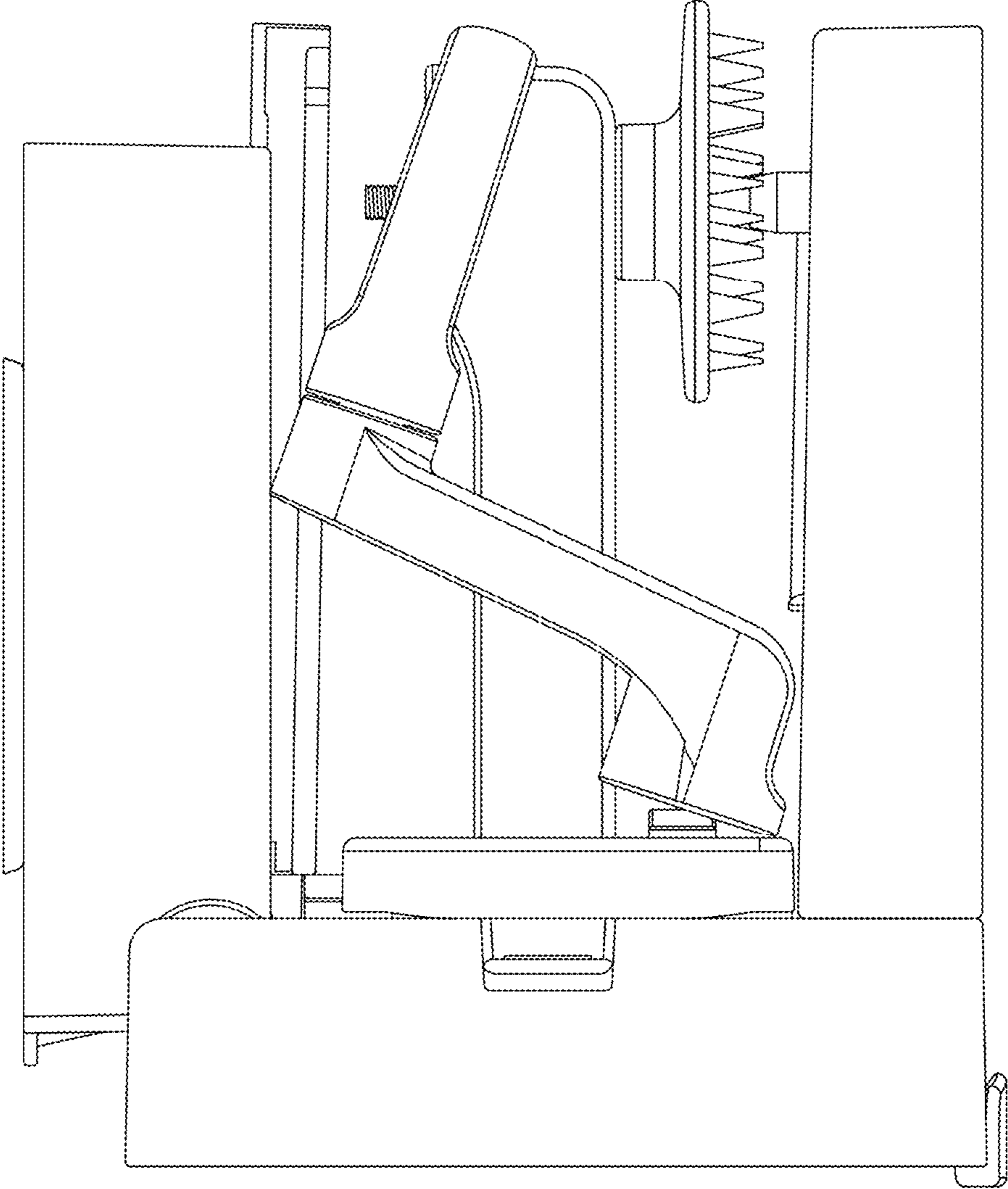


FIG. 8

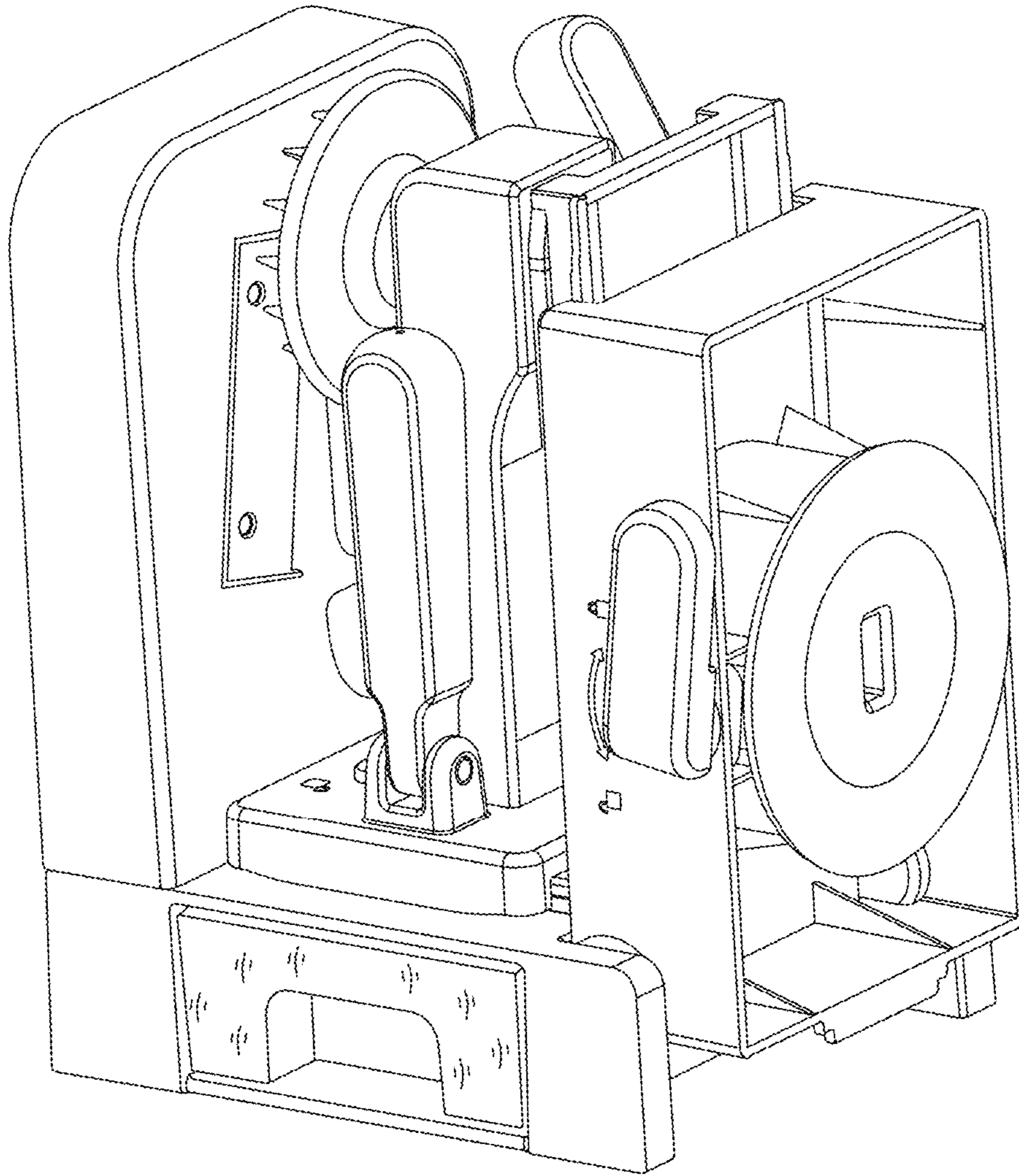


FIG. 9