



US00D830138S

(12) **United States Design Patent** (10) **Patent No.:** **US D830,138 S**
Zhang (45) **Date of Patent:** **** Oct. 9, 2018**

(54) **GRINDER**

(71) Applicant: **NINGBO CHEFSHERE KITCHEN TECHNOLOGY CO., LTD.**, Ningbo (CN)

(72) Inventor: **Guoping Zhang**, Ningbo (CN)

(**) Term: **15 Years**

(21) Appl. No.: **29/615,748**

(22) Filed: **Aug. 31, 2017**

(30) **Foreign Application Priority Data**

Mar. 3, 2017 (CN) 2017 3 0058786

(51) **LOC (11) Cl.** **07-04**

(52) **U.S. Cl.**
USPC **D7/679**

(58) **Field of Classification Search**

USPC D7/679, 590-597, 372, 373
CPC ... A21C 1/04; A47J 42/34; A47J 42/00; A47J 42/04; A47J 42/14; A47J 42/18; A47J 42/24; A47J 42/42; A47J 42/46; A47J 42/06; A47J 42/08; A47J 42/40; A47J 43/04; A47J 43/044; A47J 43/0722; A47J 43/06; A47J 43/25; A47J 43/255; A24C 5/40; B02C 18/08; B02C 18/24; B02C 18/16

See application file for complete search history.

(56) **References Cited**

U.S. PATENT DOCUMENTS

D365,245 S *	12/1995	Joergensen	D7/373
D390,427 S *	2/1998	Bounds	D7/679
D397,919 S *	9/1998	Chiu	D7/679
6,966,507 B2 *	11/2005	Yang	A47J 42/06 241/100
D575,099 S *	8/2008	Jalet	D7/376
2014/0014751 A1 *	1/2014	Sampaio	A47J 43/255 241/93

* cited by examiner

Primary Examiner — Terry A Wallace

(74) *Attorney, Agent, or Firm* — Wayne & King LLC

(57) **CLAIM**

The ornamental design for grinder, as shown and described.

DESCRIPTION

FIG. 1 is a perspective view of a grinder.

FIG. 2 is a front view thereof;

FIG. 3 is a rear view thereof;

FIG. 4 is a left view thereof;

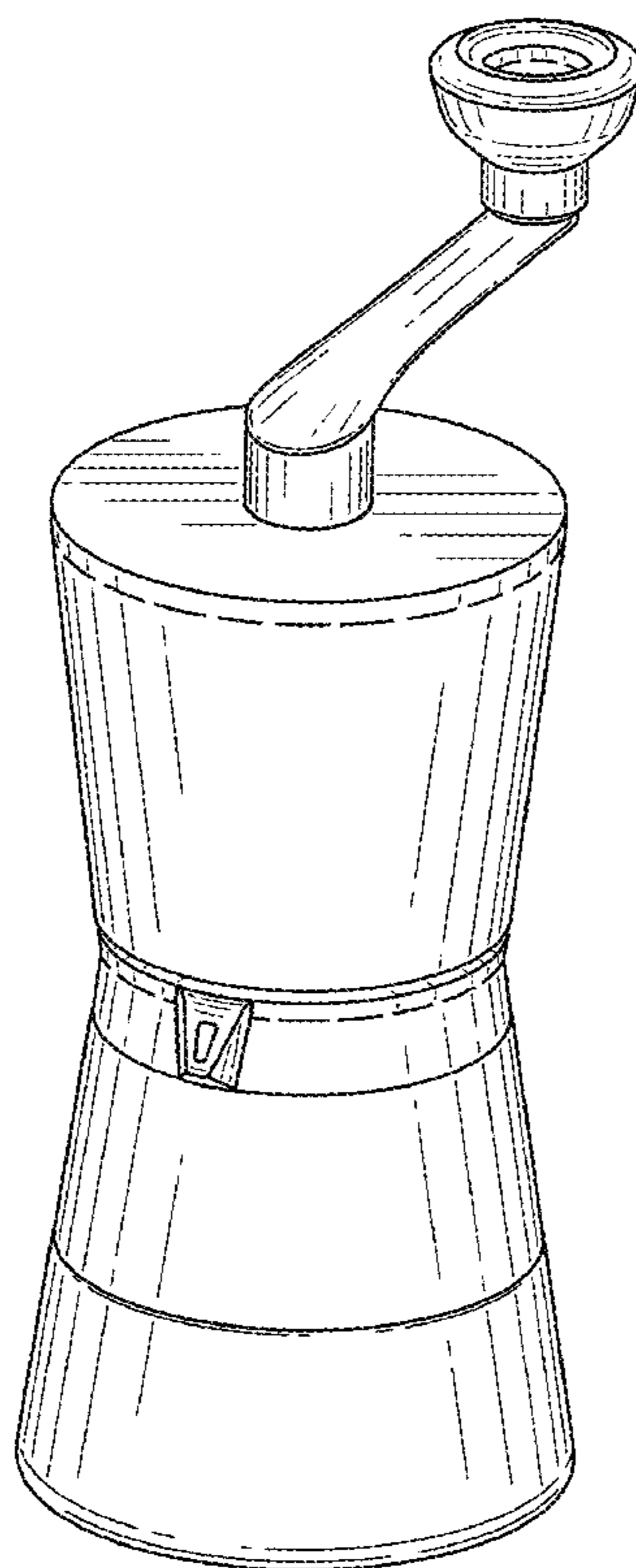
FIG. 5 is a right view thereof;

FIG. 6 is a top view thereof; and,

FIG. 7 is a bottom view thereof.

The dashed or broken lines shown in the drawings depict portions of the grinder in which the design is embodied that form no part of the claimed design.

1 Claim, 7 Drawing Sheets



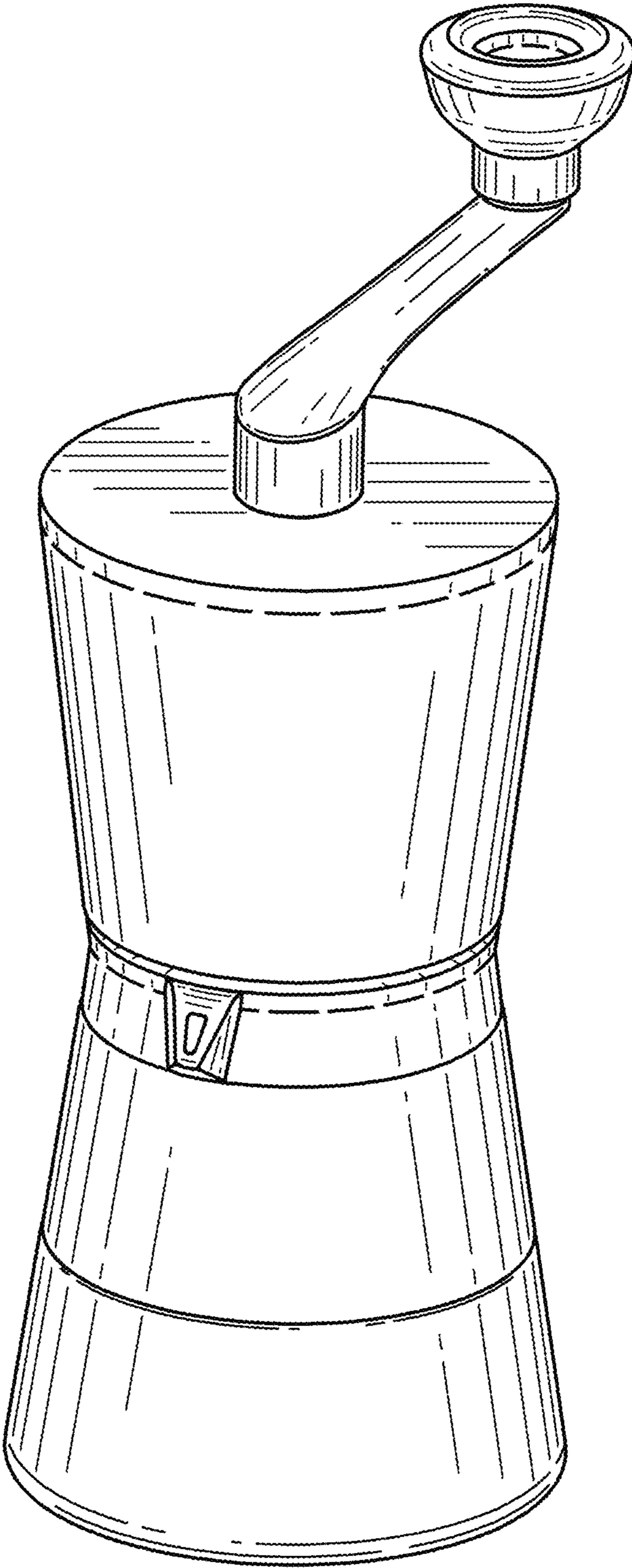


FIG. 1

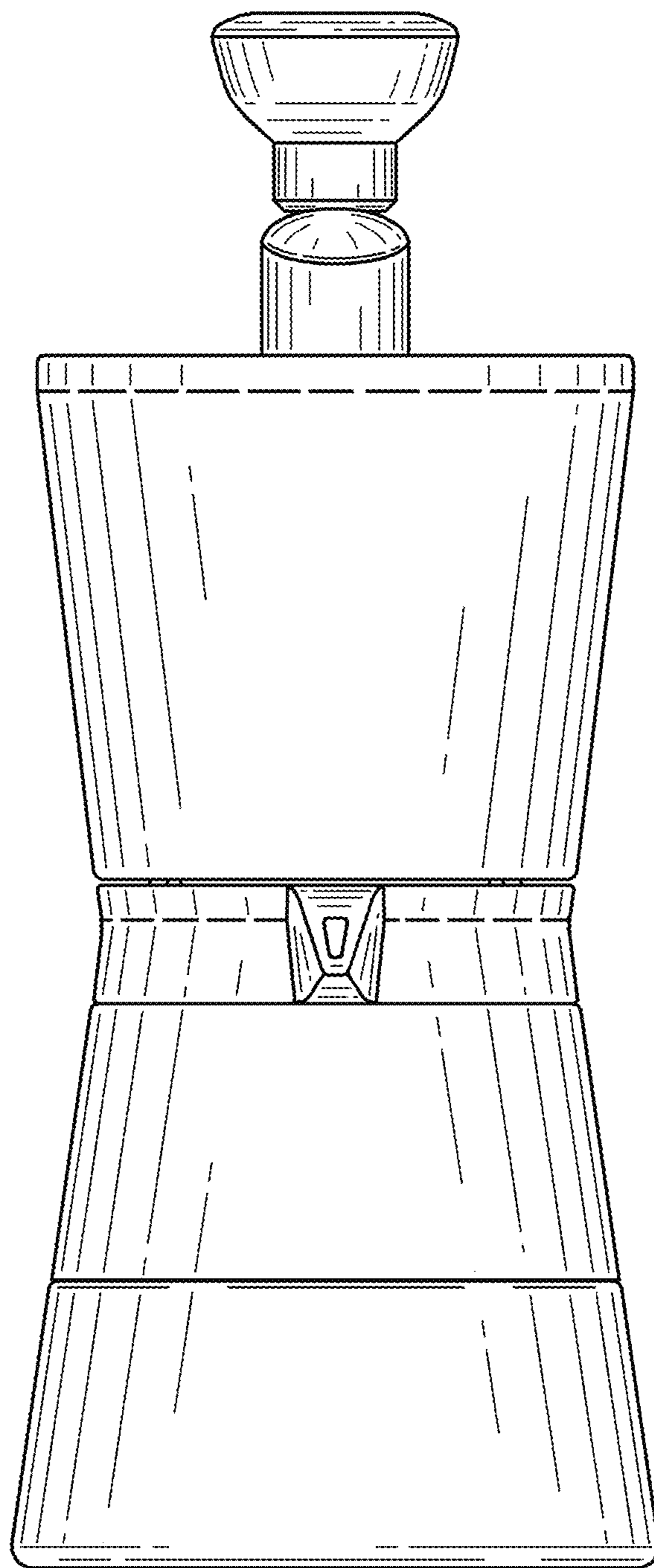


FIG. 2

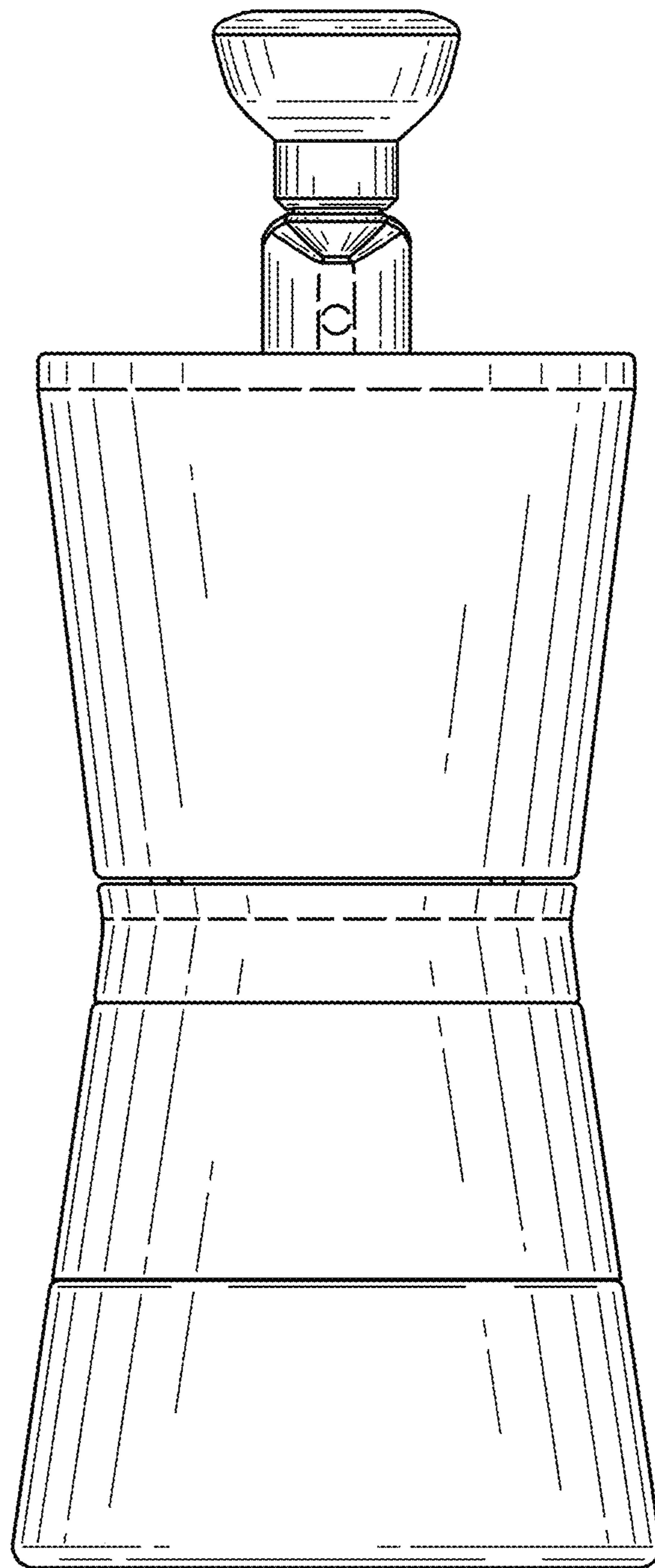


FIG. 3

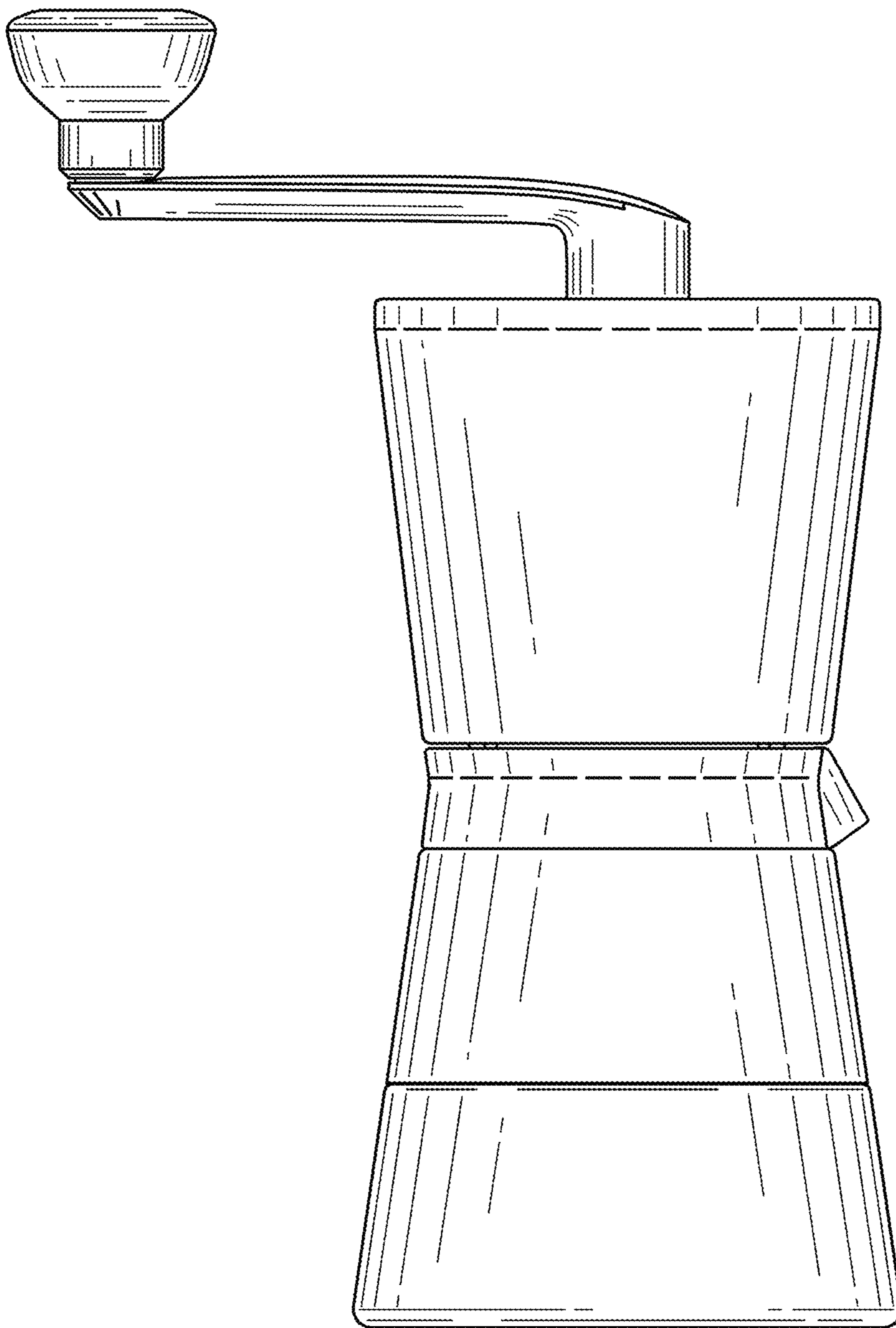


FIG. 4

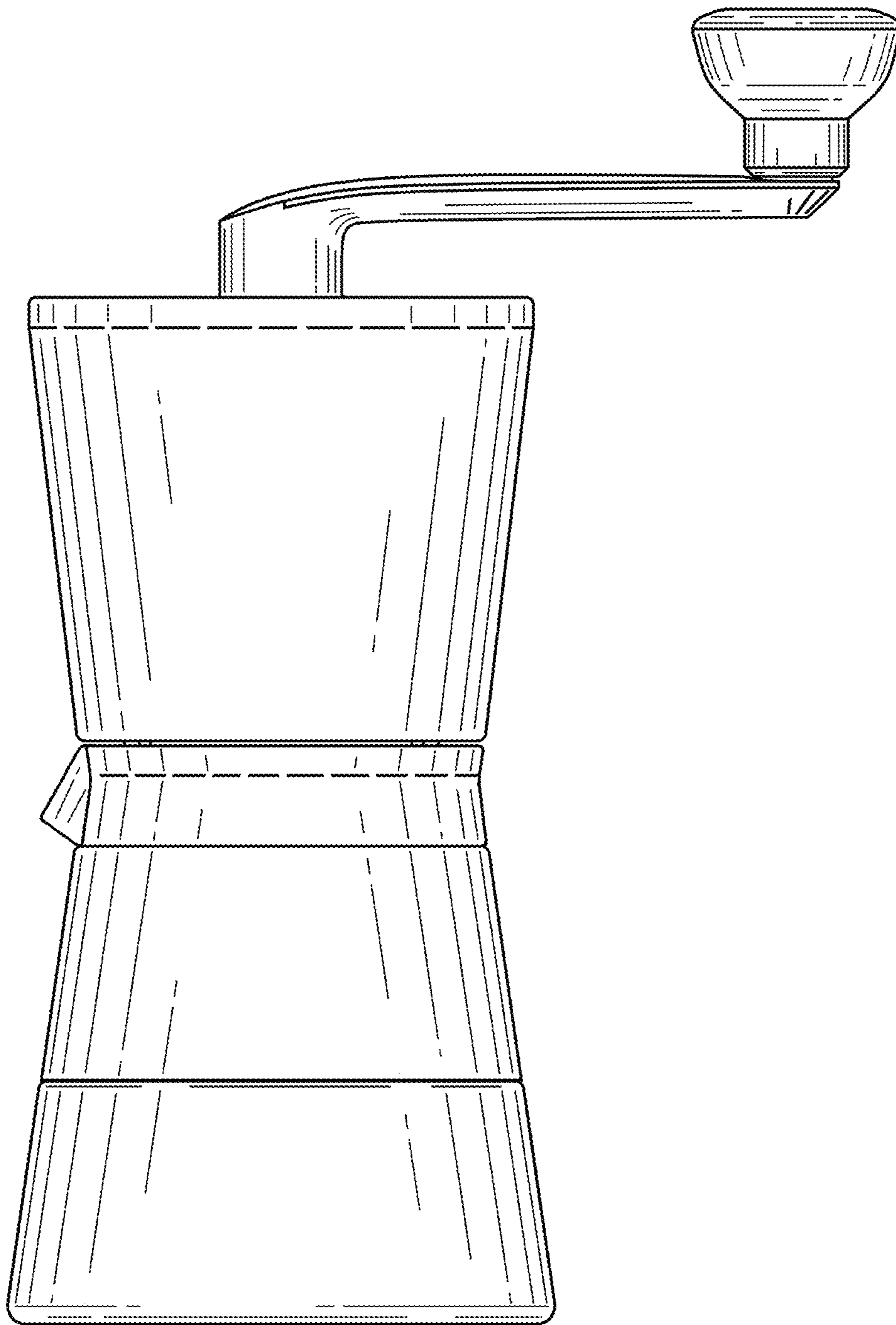


FIG. 5

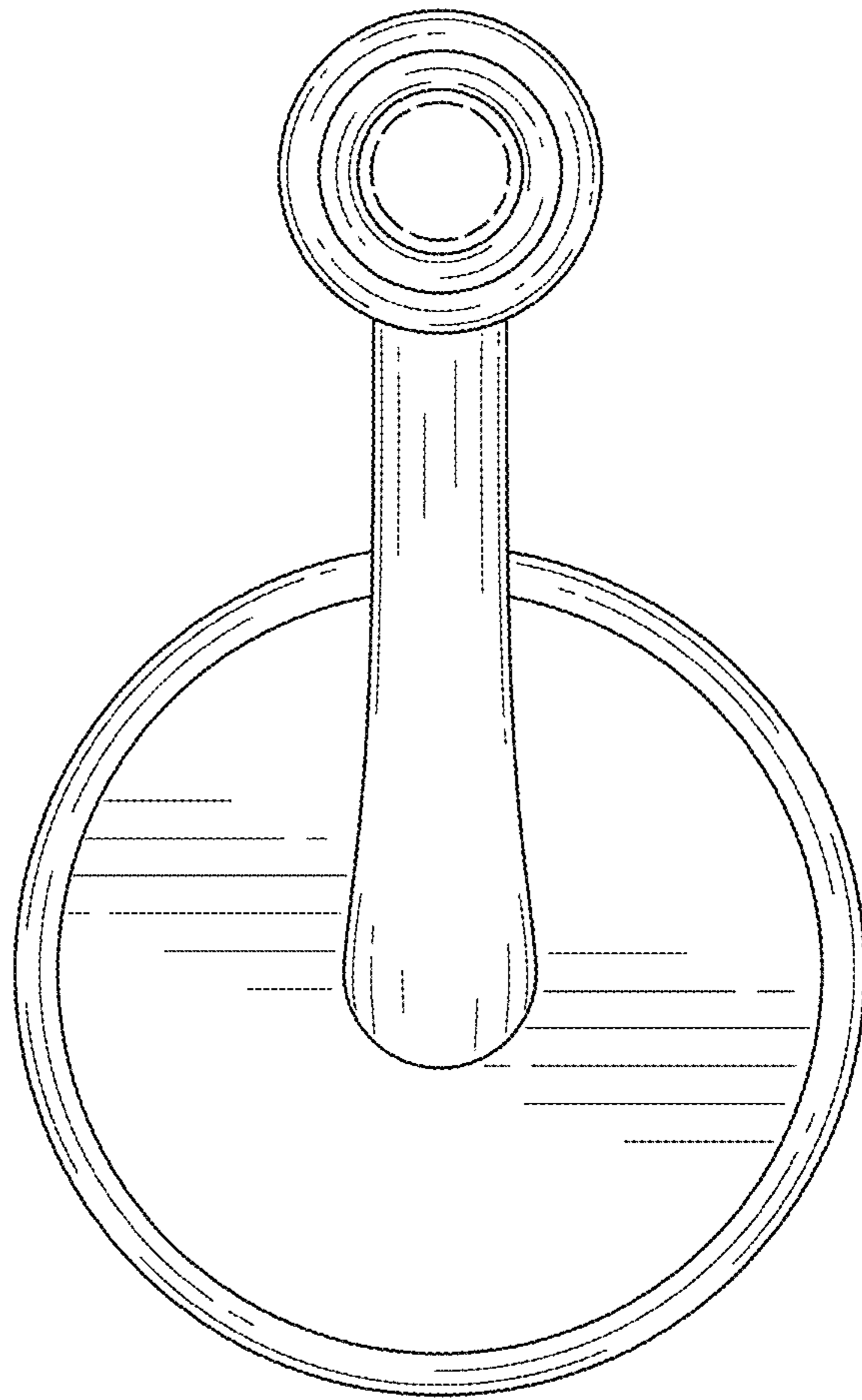


FIG. 6

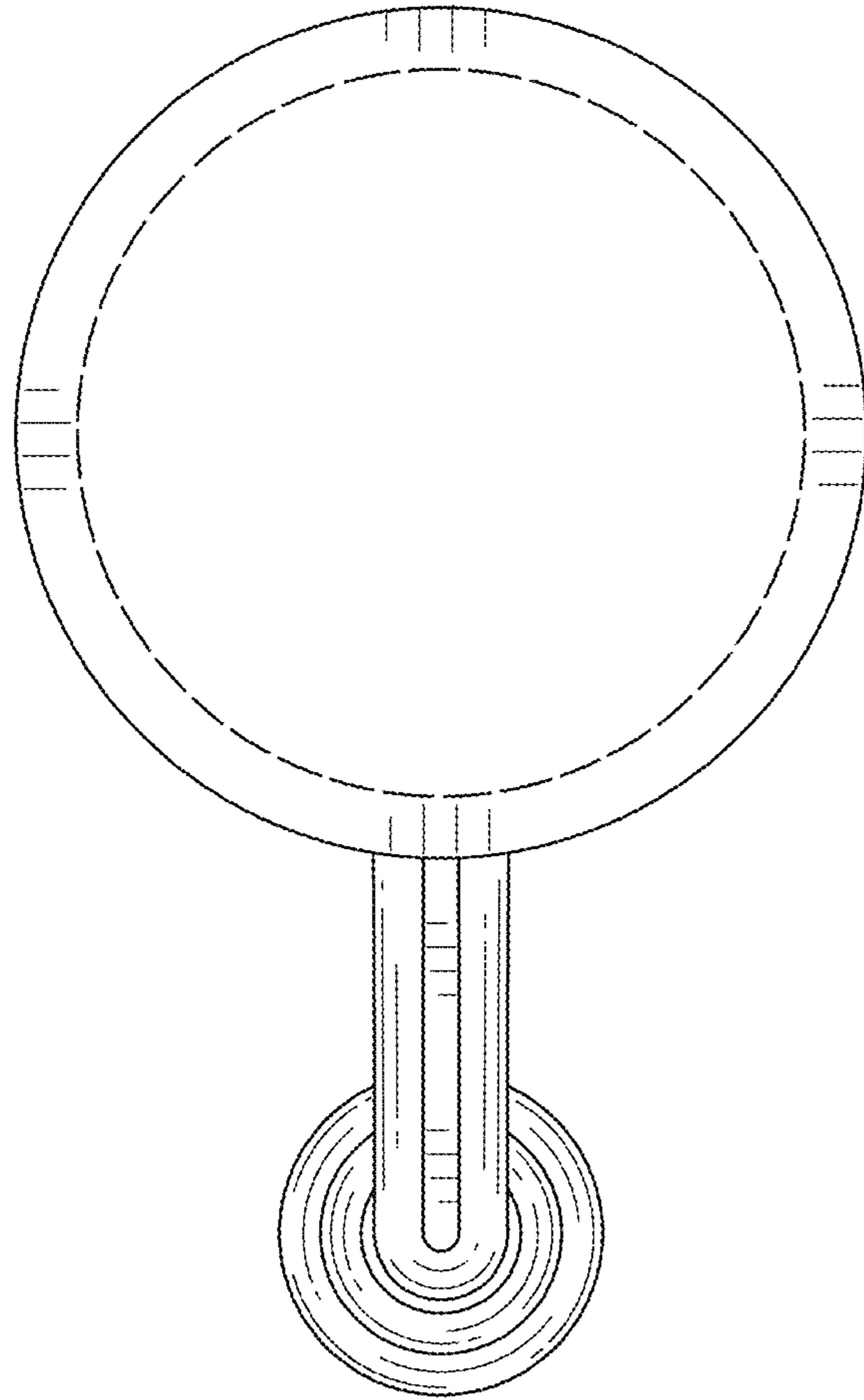


FIG. 7