



US00D830132S

(12) **United States Design Patent** (10) **Patent No.:** **US D830,132 S**
Sullivan et al. (45) **Date of Patent:** **** Oct. 9, 2018**

(54) **COOLER**
(71) Applicant: **YETI Coolers, LLC**, Austin, TX (US)
(72) Inventors: **Derek G. Sullivan**, Austin, TX (US);
Roy Joseph Seiders, Austin, TX (US);
Andrew M. Bosway, Austin, TX (US);
Karl Fritzsche, Seattle, WA (US)

3,066,846 A 12/1962 Domigan
3,814,288 A 6/1974 Westrich
4,127,155 A 11/1978 Hydom
4,210,186 A 7/1980 Belenson
4,211,091 A 7/1980 Campbell
(Continued)

(73) Assignee: **YETI Coolers, LLC**, Austin, TX (US)

FOREIGN PATENT DOCUMENTS
CA 2300014 A1 8/2001
CA 2327764 A1 6/2002
(Continued)

(**) Term: **15 Years**

(21) Appl. No.: **29/566,691**

OTHER PUBLICATIONS

(22) Filed: **Jun. 1, 2016**

Vimeo, "Cleaning Your YETI Hopper" uploaded by user YETI Coolers on Nov. 4, 2014, Accessed Sep. 27, 2017. (<https://vimeo.com/110890075>).*

(51) **LOC (11) Cl.** **07-01**

(52) **U.S. Cl.**

USPC **D7/607**; D3/273; D3/321

(58) **Field of Classification Search**

USPC D3/274, 273, 276, 283, 284, 285, 287,
D3/288, 289, 290, 905, 203.1, 203.6, 205,
D3/215, 243, 244, 299, 902, 321;
D12/415, 416; D7/605, 607

CPC A45C 3/04; A45C 5/005; A45C 2005/10;
A45C 2007/0004; A45C 7/0036; A45C
2009/007; A45C 9/00; A45C 2011/003;
A45C 11/20

See application file for complete search history.

Primary Examiner — Thomas Johannes

Assistant Examiner — April Rivas

(74) *Attorney, Agent, or Firm* — Banner & Witcoff, Ltd.

(57) **CLAIM**

The ornamental design for a cooler, as shown and described.

DESCRIPTION

FIG. 1 is a top, front, right perspective view of a cooler showing our new design;

FIG. 2 is a front view thereof;

FIG. 3 is a rear view thereof;

FIG. 4 is a right side view thereof;

FIG. 5 is a left side view thereof; and,

FIG. 6 is a top view thereof.

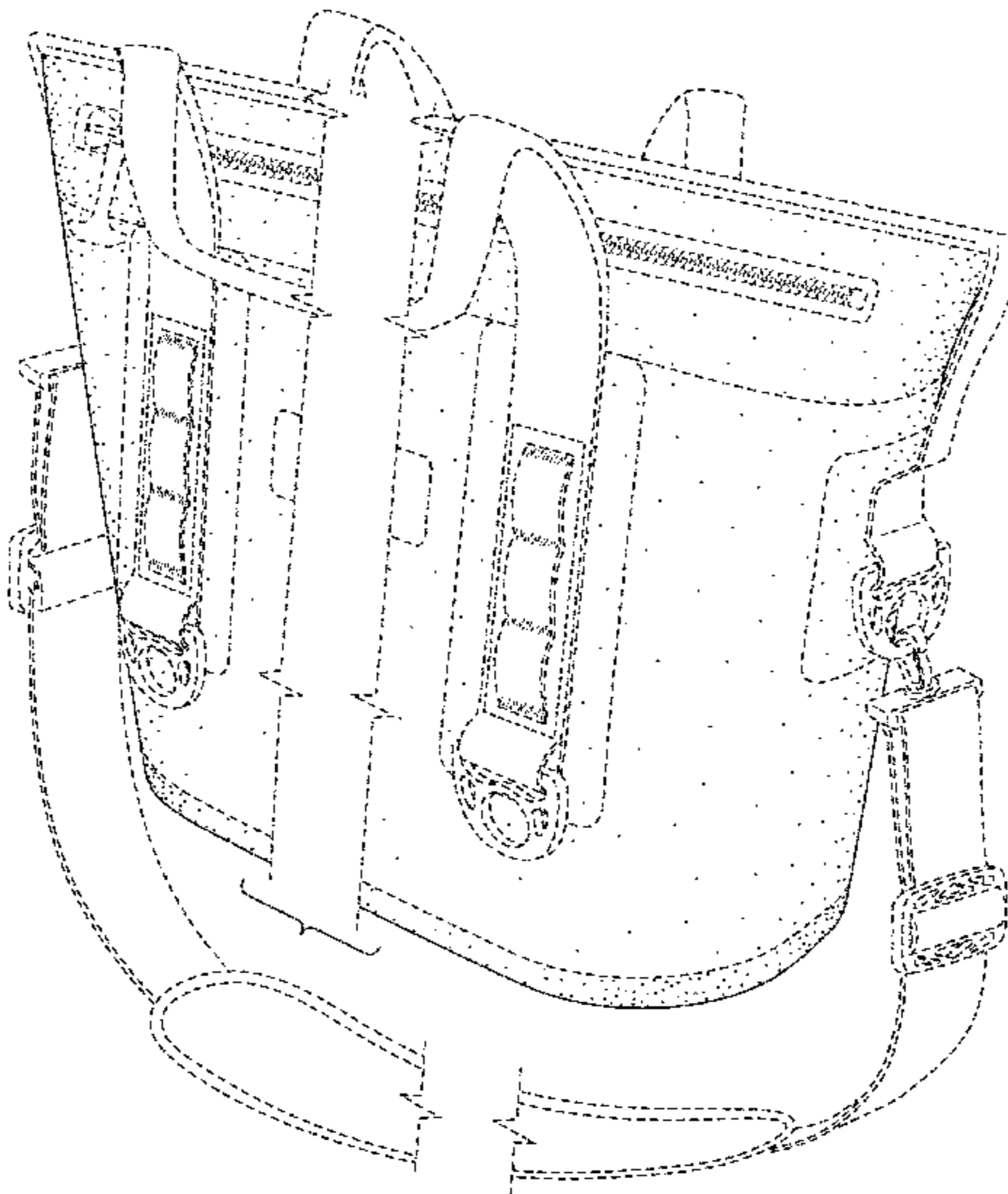
The broken lines and the unshaded areas within them illustrate portions of the cooler and form no the claimed design. The cooler is shown with a symbolic break in its length. The appearance of any portion of the article between the break lines forms no part of the claimed design.

(56) **References Cited**

U.S. PATENT DOCUMENTS

1,587,655 A 6/1926 Kidwell
1,949,677 A 3/1934 Crawford
2,289,254 A 7/1942 Eagles
2,575,191 A 11/1951 Seipp
2,575,893 A 11/1951 Seaman
2,661,785 A 12/1953 Daust
2,808,093 A 10/1957 Gilman
2,954,891 A 10/1960 Imber

1 Claim, 6 Drawing Sheets



(56)

References Cited

U.S. PATENT DOCUMENTS

D268,879 S	5/1983	Outcalt	
4,468,933 A	9/1984	Christopher	
4,537,313 A	8/1985	Workman	
4,541,540 A	9/1985	Gretz et al.	
D281,122 S *	10/1985	Bomes	D3/287
D281,546 S *	12/1985	Bradshaw	D3/276
D281,646 S	12/1985	Bomes et al.	
D282,602 S *	2/1986	Allen	D3/287
D289,128 S *	4/1987	Bradshaw	D3/276
4,673,117 A	6/1987	Calton	
4,826,060 A *	5/1989	Hollingsworth	A45C 3/00 224/237
5,004,091 A	4/1991	Natho et al.	
5,005,679 A	4/1991	Hjelle	
5,042,664 A	8/1991	Shyr et al.	
D340,387 S	10/1993	Melk	
D340,621 S *	10/1993	Melk	D3/287
D340,840 S	11/1993	Melk	
D343,992 S	2/1994	Melk	
5,400,610 A	3/1995	Macedo	
5,403,095 A	4/1995	Melk	
5,421,172 A	6/1995	Jones	
5,472,279 A	12/1995	Lin	
5,490,396 A	2/1996	Morris	
D370,599 S	6/1996	Christopher et al.	
D371,052 S	6/1996	Melk	
D373,515 S	9/1996	Melk	
5,562,228 A	10/1996	Ericson	
D382,771 S	8/1997	Mogil	
D383,360 S *	9/1997	Melk	D3/276
D386,310 S	11/1997	Smith	
D387,249 S	12/1997	Mogil	
D394,553 S	5/1998	Lin	
D395,555 S	6/1998	Ursitti	
D397,273 S	8/1998	Collie	
D401,063 S	11/1998	Yamamoto et al.	
5,931,583 A	8/1999	Collie	
D414,379 S	9/1999	Haberkom	
5,988,468 A	11/1999	Murdoch et al.	
D424,417 S	5/2000	Axelsson	
6,068,402 A	5/2000	Freese et al.	
6,092,661 A	7/2000	Mogil	
6,149,305 A	11/2000	Fier	
6,193,034 B1 *	2/2001	Fournier	A45C 7/0095 190/107
6,247,328 B1	6/2001	Mogil	
D447,667 S	9/2001	Schneider et al.	
6,298,993 B1	10/2001	Kalozdi	
6,336,577 B1	1/2002	Harris et al.	
6,409,066 B1	6/2002	Schneider et al.	
D465,134 S	11/2002	Joss	
D466,291 S	12/2002	Ng	
D472,431 S	4/2003	Spence, Jr.	
6,582,124 B2	6/2003	Mogil	
D476,481 S	7/2003	Gilbert	
D478,782 S *	8/2003	Li	D7/607
6,619,447 B1	9/2003	Garcia, III et al.	
D485,131 S	1/2004	Lanman et al.	
D485,732 S	1/2004	Lanman et al.	
D486,038 S	2/2004	Lanman et al.	
6,688,470 B2	2/2004	Dege et al.	
D492,160 S	6/2004	Lanman et al.	
D497,518 S	10/2004	Bellofatto, Jr. et al.	
D498,924 S	11/2004	Karl	
D501,600 S	2/2005	Guyon	
D502,599 S	3/2005	Cabana et al.	
D503,279 S	3/2005	Smith	
D506,645 S	6/2005	Bellofatto, Jr. et al.	
D512,274 S	12/2005	Cabey	
D515,362 S	2/2006	Chan	
D516,099 S	2/2006	Maruyama	
D520,306 S	5/2006	Peterson	
D523,243 S	6/2006	Nashmy	
D527,226 S	8/2006	Maldonado	
D530,089 S *	10/2006	Silverman	D3/287
D534,352 S	1/2007	Delafontaine	
D535,820 S	1/2007	Kamiya	
7,162,890 B2	1/2007	Mogil et al.	
D539,033 S	3/2007	Cassegrain	
D548,459 S	8/2007	Harvey	
D550,448 S	9/2007	Boje et al.	
D570,603 S	6/2008	Wu et al.	
D573,422 S	7/2008	Tagliati et al.	
D574,667 S	8/2008	Grabijas, III et al.	
D578,401 S	10/2008	Perry et al.	
D582,151 S	12/2008	Gonzalez	
D598,194 S	8/2009	Turvey et al.	
7,597,478 B2	10/2009	Pruchnicki et al.	
D607,697 S	1/2010	Whitlock et al.	
D608,096 S	1/2010	Noble	
D608,159 S	1/2010	Whitlock et al.	
D610,795 S *	3/2010	Dejadon	D3/203.1
D611,706 S	3/2010	Angles et al.	
7,682,080 B2	3/2010	Mogil	
D617,560 S	6/2010	Wu	
D618,966 S	7/2010	Koehler et al.	
D619,423 S	7/2010	Koehler et al.	
D619,854 S	7/2010	Koehler et al.	
D620,707 S	8/2010	Mogil	
D620,708 S	8/2010	Sanz	
D626,329 S *	11/2010	Chapelier	D3/232
D627,199 S	11/2010	Pruchnicki	
D629,612 S	12/2010	Weldon	
D638,220 S	5/2011	Chu et al.	
D642,870 S	8/2011	Whitlock et al.	
D645,662 S	9/2011	Perez	
8,016,090 B2	9/2011	McCoy et al.	
8,043,004 B2	10/2011	Mogil	
8,061,159 B2	11/2011	Mogil et al.	
D650,169 S	12/2011	Klifa	
8,191,747 B2	6/2012	Pruchnicki	
D666,896 S	9/2012	Pinholster, Jr. et al.	
D667,043 S	9/2012	Couch, III	
8,302,749 B2 *	11/2012	Melmon	A45C 11/38 150/103
D673,363 S	1/2013	Crandall	
D674,664 S	1/2013	Collie	
D682,635 S *	5/2013	Boroski	D7/709
D686,412 S	7/2013	Guichot	
D695,568 S *	12/2013	Hayes	D3/233
D710,085 S	8/2014	Szewczyk	
D711,096 S	8/2014	Hanna	
D712,555 S	9/2014	Berg	
D715,544 S	10/2014	Levine	
D718,931 S	12/2014	Brundl	
D719,303 S	12/2014	Anderson	
D725,908 S *	4/2015	Zwetzig	D3/283
D728,942 S *	5/2015	Byham	D3/290
D732,348 S *	6/2015	Seiders	D3/246
D732,349 S *	6/2015	Seiders	D3/246
D732,350 S *	6/2015	Seiders	D3/246
D732,899 S *	6/2015	Seiders	D3/246
D738,108 S *	9/2015	Adler	D3/289
D739,654 S	9/2015	Brouard	
9,139,352 B2	9/2015	Seiders et al.	
D749,653 S	2/2016	Carnes	
D750,140 S	2/2016	Cross	
9,254,022 B2	2/2016	Meldeau et al.	
D752,347 S	3/2016	Seiders et al.	
D752,860 S	4/2016	Barilaro et al.	
D756,109 S	5/2016	Hayashi	
D756,638 S	5/2016	Frisoni	
D763,570 S	8/2016	Potts	
D764,791 S	8/2016	Patel	
D770,761 S	11/2016	Deioma et al.	
D770,763 S	11/2016	Joo et al.	
D771,372 S	11/2016	Kelly et al.	
D772,562 S	11/2016	Petre	
D778,045 S	2/2017	Ruddis	
D782,820 S	4/2017	Thompson	
D784,010 S	4/2017	Dumas	
D785,325 S *	5/2017	Samrelius	D3/246
D786,559 S	5/2017	Seiders et al.	
D786,560 S	5/2017	Seiders et al.	

(56)

References Cited

U.S. PATENT DOCUMENTS

D786,561	S	5/2017	Seiders et al.	
D787,187	S	5/2017	Seiders et al.	
D792,167	S *	7/2017	Bradley	D7/607
D792,486	S	7/2017	Li et al.	
D796,185	S *	9/2017	Masten	D3/213
D797,454	S	9/2017	Seiders et al.	
D797,455	S	9/2017	Seiders et al.	
D798,670	S	10/2017	Seiders et al.	
D799,276	S	10/2017	Seiders et al.	
D799,277	S	10/2017	Seiders et al.	
D799,905	S	10/2017	Seiders et al.	
D800,444	S	10/2017	Burton et al.	
D801,123	S	10/2017	Seiders et al.	
D802,028	S	11/2017	Li	
D802,029	S	11/2017	Li	
D802,373	S	11/2017	Seiders et al.	
D802,630	S	11/2017	Li et al.	
2004/0035143	A1	2/2004	Mogil	
2005/0034947	A1	2/2005	Nykoluk	
2005/0279124	A1	12/2005	Maldonado	
2006/0201979	A1	9/2006	Achilles	
2007/0274613	A1	11/2007	Pruchnicki et al.	
2007/0290816	A1	12/2007	Bedard	
2010/0284631	A1	11/2010	Lee	
2011/0167863	A1	7/2011	Herrbold	
2011/0311166	A1	12/2011	Pascua	
2013/0014355	A1	1/2013	Lee	
2013/0216158	A1 *	8/2013	Meldeau	A45C 3/04 383/24
2014/0151172	A1	6/2014	Diaz	
2014/0248003	A1 *	9/2014	Mogil	A45C 3/001 383/3
2015/0114024	A1	4/2015	Grepper	
2015/0225164	A1 *	8/2015	Seiders	B65D 81/3858 220/592.25
2015/0353263	A1	12/2015	Seiders et al.	
2016/0107816	A1	4/2016	Larpenteur et al.	
2016/0257479	A1 *	9/2016	Seiders	B65D 81/389
2016/0338462	A1	11/2016	Hayashi	

FOREIGN PATENT DOCUMENTS

CA	2433251	A1	12/2004
CA	2483802	A1	4/2006
CA	2499291	A1	9/2006
CA	2548064	A1	11/2007
CA	2782668	A1	12/2013
CN	2188899	Y	2/1995
GB	3006367		10/2002
JP	D1242111		6/2005
JP	D1445624		7/2012
KR	20020027739	A	4/2002
KR	300808669.0000		8/2015
KR	300835242.0000		1/2016
KR	300853718.0000		5/2016

OTHER PUBLICATIONS

United States District Court Western District of Texas Austin Division, "Complaint," *YETI Coolers, LLC v. Glacier Coolers, LLC, and Tecomate Holdings, LLC*, Case 1:17-cv-00586, Document 1, filed Jun. 15, 2017, 161 pages.
 Good Housekeeping, "Lands' End Zip Top Cooler Tote #433786", Reviewed on Apr. 2014, Accessed Nov. 18, 2017. (<http://www.goodhousekeeping.com/travel-products/food-cooler-reviews/a33270/lands-end-zip-top-cooler-tote-433786/>).
 Home Shopping Network, "Built New York Large Welded Cooler Bag", Accessed Nov. 18, 2017. (<https://www.hsn.com/products/built-new-york-large-welded-cooler-bag/8561033>).
 Sep. 13, 2017—U.S. Final Office Action—U.S. Appl. No. 15/137,838. Stopper Dry Bag, <http://www.seatosummit.com/products/display/181>, published date unknown, but prior to the filing date of the present application, Sea To Summit, United States.

Icemule Classic Cooler—Large (20L), <http://www.icemulecooler.com/icemule-classic-cooler-large-20l/>, published date unknown, but prior to the filing date of the present application, Icemule, United States.
 Devonbuy.com: Thule Gauntlet 13" MacBook Pro Attaché. Published on Jul. 28, 2014. Retrieved from the internet at <http://www.devonbuy.com/thule-gauntlet-13-macbook-pro-attache/>, Feb. 24, 2016, 9 pages.
 United States District Court for the Western District of Texas, Austin Division, "Defendants' Answer and Counterclaims to YETI's Complaint," *YETI Coolers, LLC, vs. RTIC Soft Sided Coolers, LLC, RTIC Coolers, LLC, RTIC Web Services, LLC, and Corporate Support and Fulfillment, LLC*, Case 1:16-cv-00909-RP, Document 11, Filed Aug. 18, 2016, 44 pages.
 United States District Court Western District of Texas, Austin Division, "Complaint," *YETI Coolers, LLC, v. RTIC Soft Side Coolers, RTIC Coolers, LLC, RTIC Web Services, LLC, and Corporate Support and Fulfillment, LLC*, Case 1:16-cv-00909, Document 1, Filed Jul. 27, 2016, 66 pages.
 United States District Court Western District of Texas, Austin Division, "Complaint for Damages and Injunctive Relief," *YETI Coolers, LLC v. Jennifer Leverne Bootz Evans d/b/a Bling and Burlap Buy In's and Blanks*, Case 1:15-cv-00995, Document 1, Filed Nov. 2, 2015, 128 pages.
 United States District Court Western District of Texas, Austin Division, "Order," *YETI Coolers, LLC v. Jennifer Leverne Bootz Evans d/b/a Bling and Burlap Buy In's and Blanks*, Case 1:15-cv-00995-RP, Document 18, Filed Apr. 18, 2016, 1 page.
 United States District Court Western District of Texas, Austin Division, "Defendant's Reply in Support of Their Rule 12 (B)(6) Motion to Dismiss for Failure to State a Claim" *YETI Coolers, LLC v. RTIC Soft Sided Coolers, LLC, RTIC Coolers, LLC, RTIC Web Services, LLC, and Corporate Support and Fulfillment, LLC*, Case 1:16-cv-00909-RP, Document 15, Filed Sep. 8, 2016, 13 pages.
 United States District Court Western District of Texas, Austin Division, "YETI's Answer to RTIC's Counterclaims," *YETI Coolers, LLC v. RTIC Soft Sided Coolers, LLC, RTIC Coolers, LLC, RTIC Web Services, LLC, and Corporate Support and Fulfillment, LLC*, Case 1:16-cv-00909-RP, Document 14, Filed Sep. 2, 2016, 16 pages.
 United States District Court Western District of Texas, Austin Division, "YETI's Opposition to RTIC's Motion to Dismiss," *YETI Coolers, LLC v. RTIC Soft Sided Coolers, LLC, RTIC Coolers, LLC, RTIC Web Services, LLC, and Corporate Support and Fulfillment, LLC*, Case 1:16-cv-00909-RP, Document 13, Filed Sep. 1, 2016, 17 pages.
 United States District Court for the Western District of Texas, Austin Division, "Defendants' Rule 12(B)(6) Motion to Dismiss for Failure to State a Claim," *YETI Coolers, LLC, vs. RTIC Soft Sided Coolers, LLC, RTIC Coolers, LLC, RTIC Web Services, LLC, and Corporate Support and Fulfillment, LLC*, Case 1:16-cv-00909-RP, Document 10, Filed Aug. 18, 2016, 12 pages.
 United States District Court for the Western District of Texas, Austin Division, "Joint Rule 26(f) Report and Discovery Plan," *YETI Coolers, LLC, vs. RTIC Soft Sided Coolers, LLC, RTIC Coolers, LLC, RTIC Web Services, LLC, and Corporate Support and Fulfillment, LLC*, Case 1:16-cv-00909-RP, Document 19, Filed Oct. 11, 2016, 9 pages.
 Petition for Inter Partes Review of U.S. Pat. No. 9,139,352, filed on Dec. 13, 2016, 1616 pages.
 TheGadgeteer.com: Tom Bihn Camera I-O Bag Review. Published Jul. 9, 2012. Retrieved from the internet at <http://the-gadgeteer.com/2012/07/09/tom-bihn-camera-i-o-bag-review/>, Jan. 11, 2016, 7 pages.
 YouTube.com: Patagonia Black Hole Duffel 60L. Published Aug. 26, 2013. Retrieved from the internet at <https://www.youtube.com/watch?v=W-PWEmZmVv8>, Dec. 19, 2016, 1 page.
 Youtube, "YETI Hopper Cooler at ICAST 2014", Uploaded by user "TackleDirect" on Jul. 17, 2014, Accessed Jan. 31, 2017. (<https://www.youtube.com/watch?v=A2rKRdyZcZ4>).
 EBags, Picnic Pack Picnic Pack Large Insulated Cooler Tote, First reviewed on Jul. 20, 2016. Accessed Feb. 7, 2017. (<http://www.ebags.com/product/picnic-pack/picnic-pack-large-insulated-cooler-tote/313704?productid=10428840>).

* cited by examiner

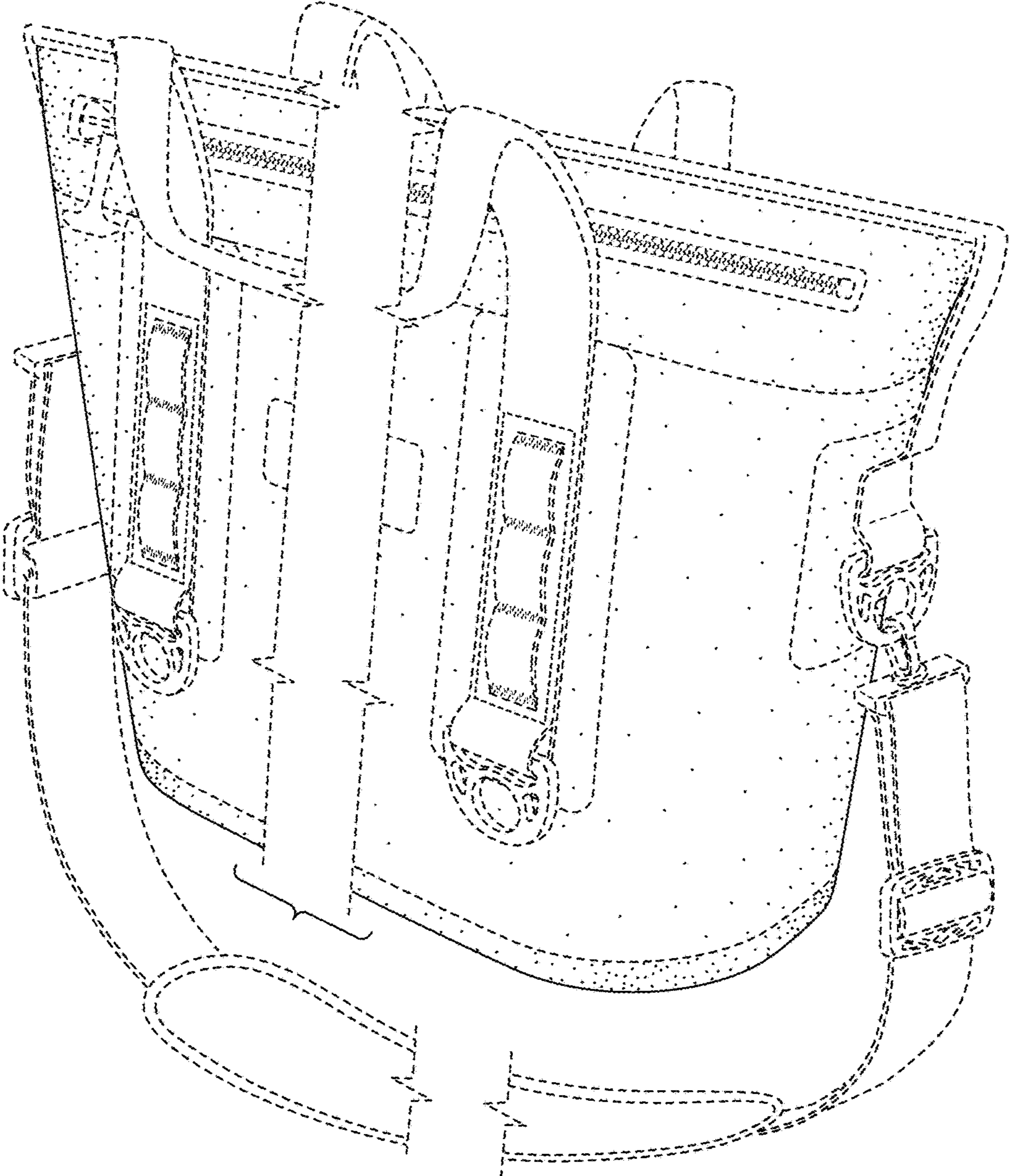


FIG. 1

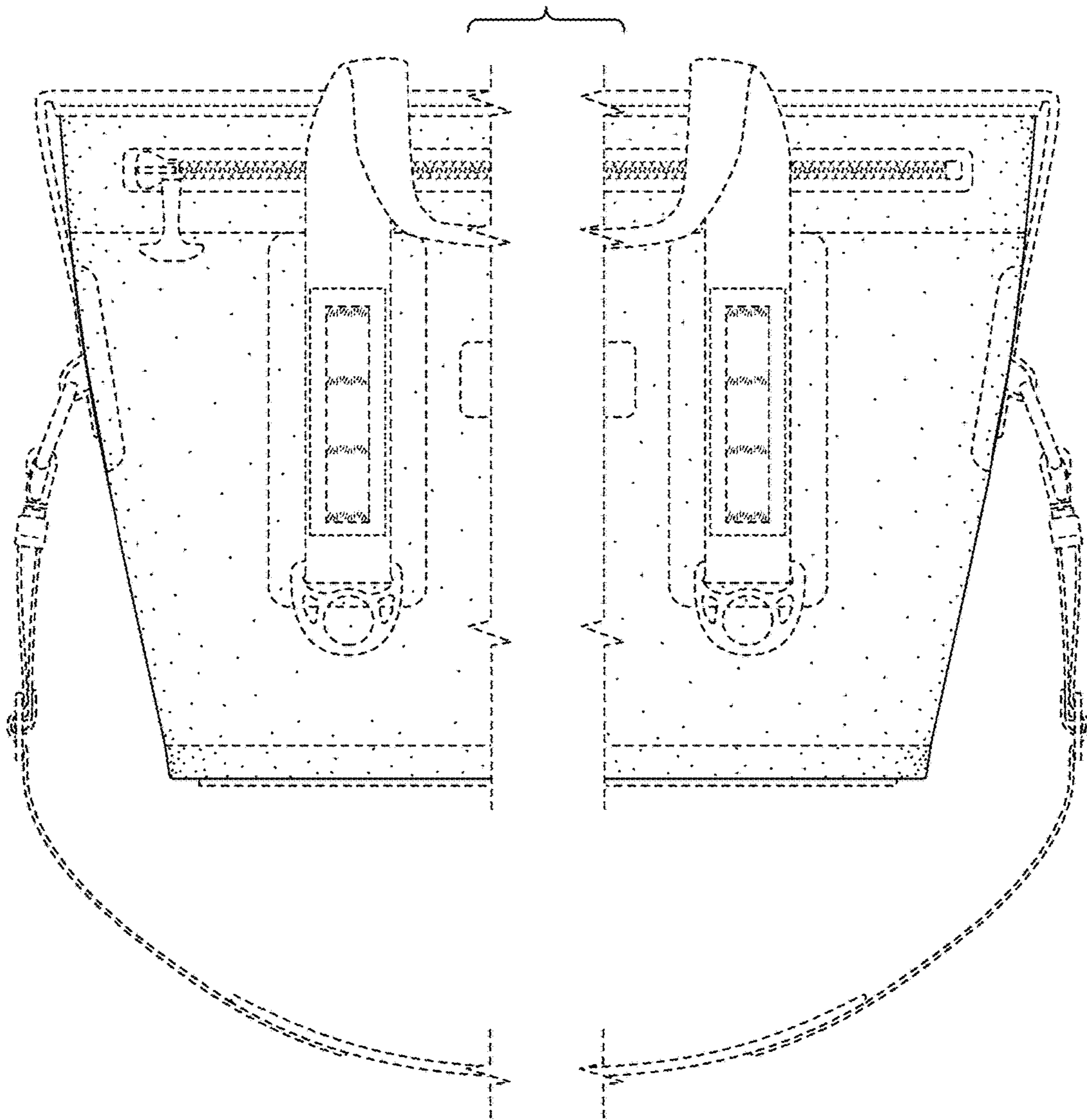


FIG. 2

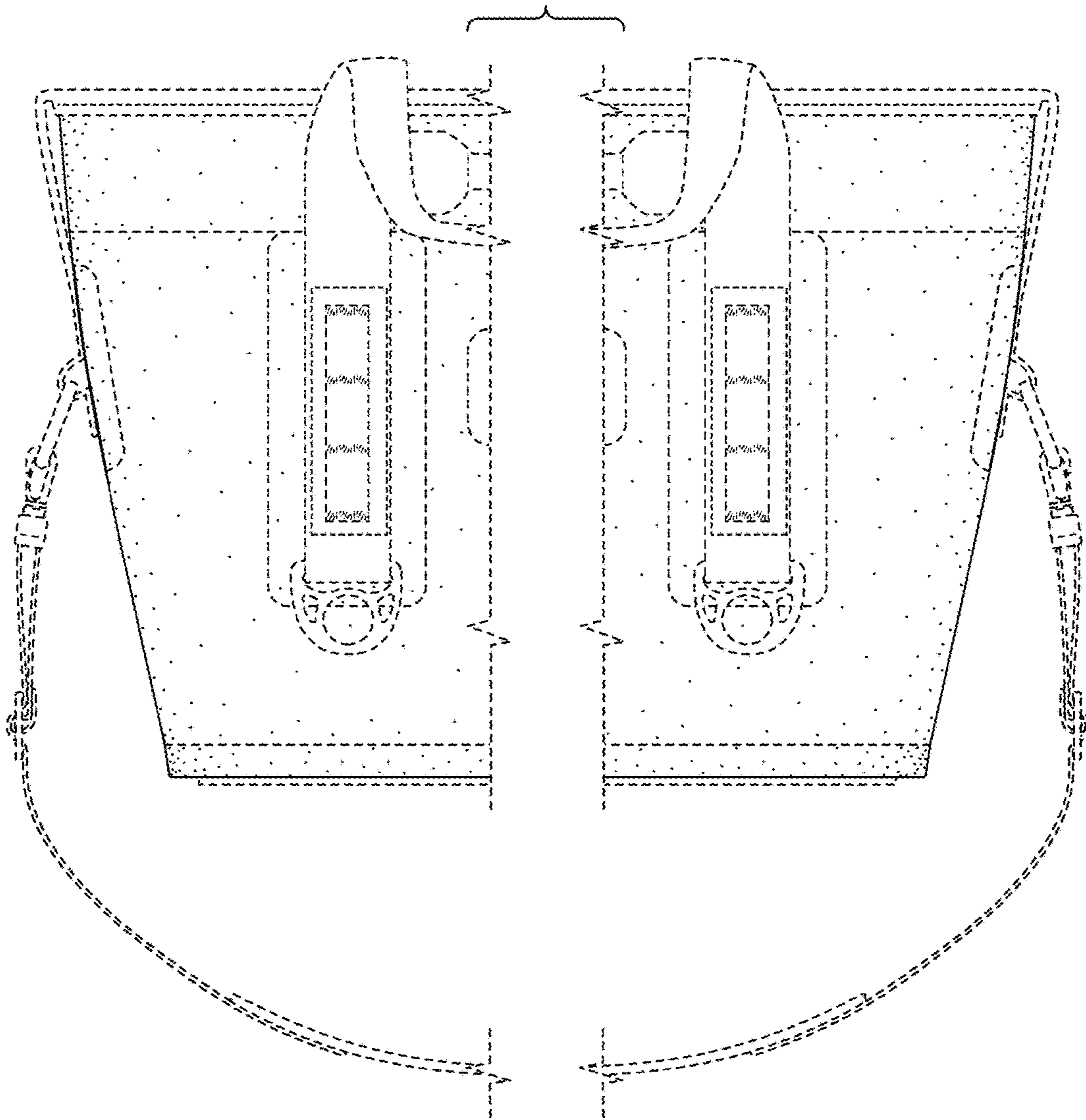


FIG. 3

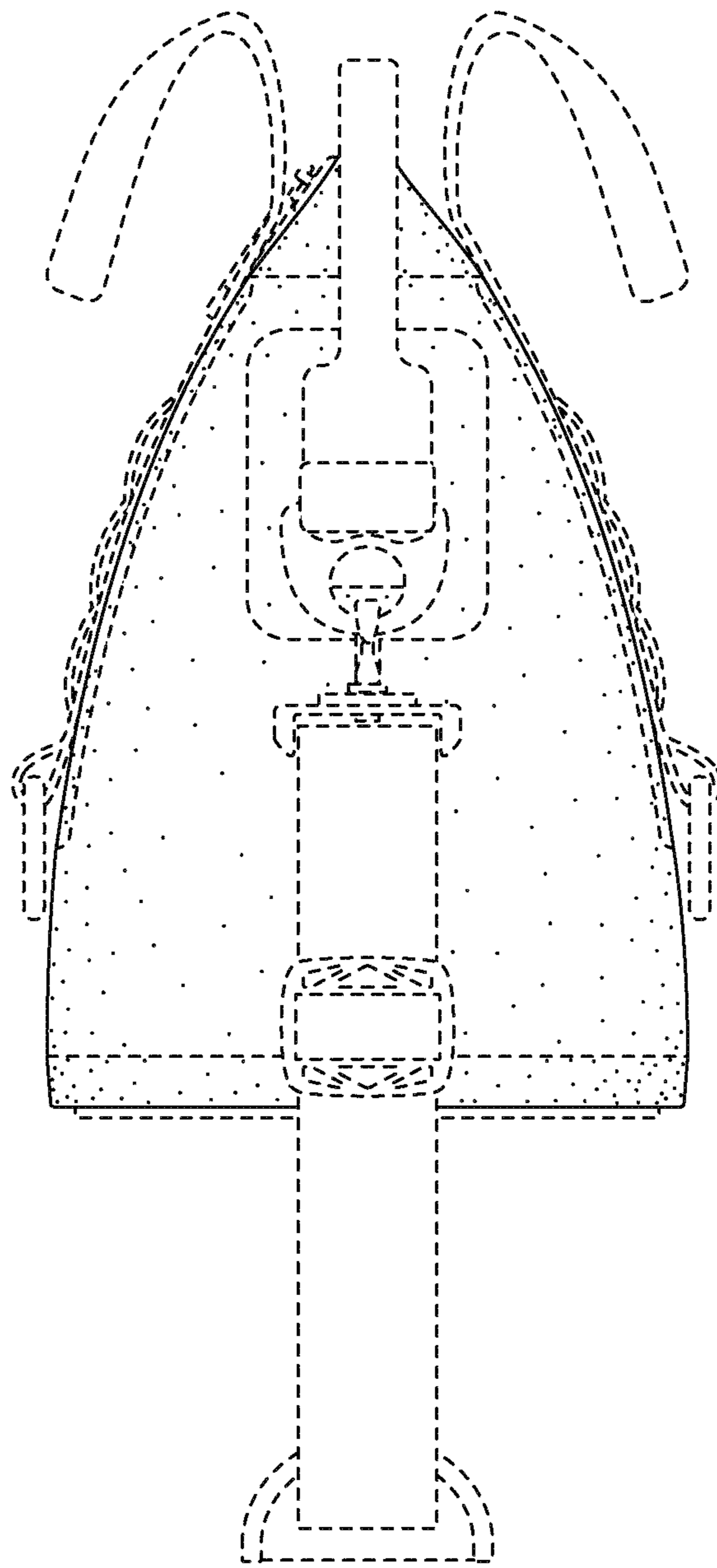


FIG. 4

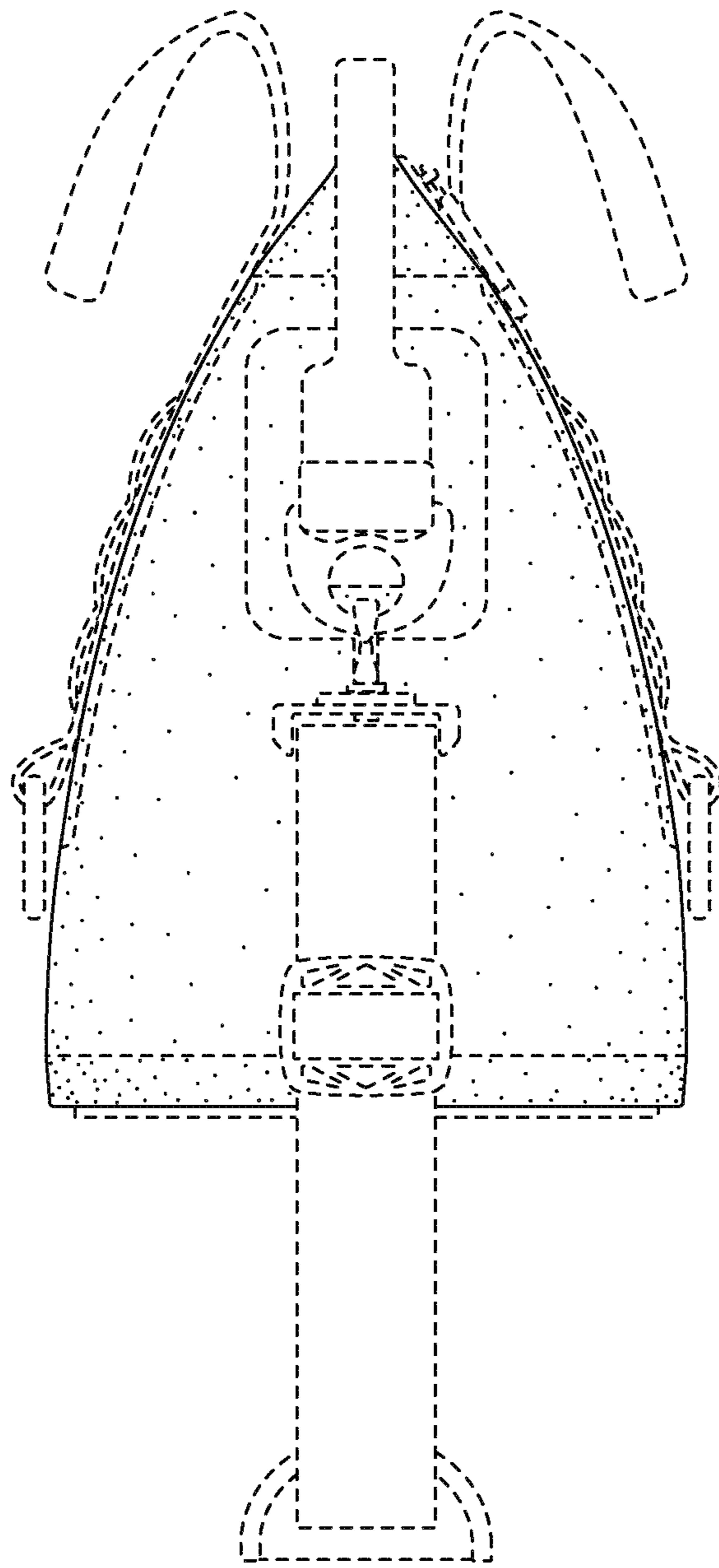


FIG. 5

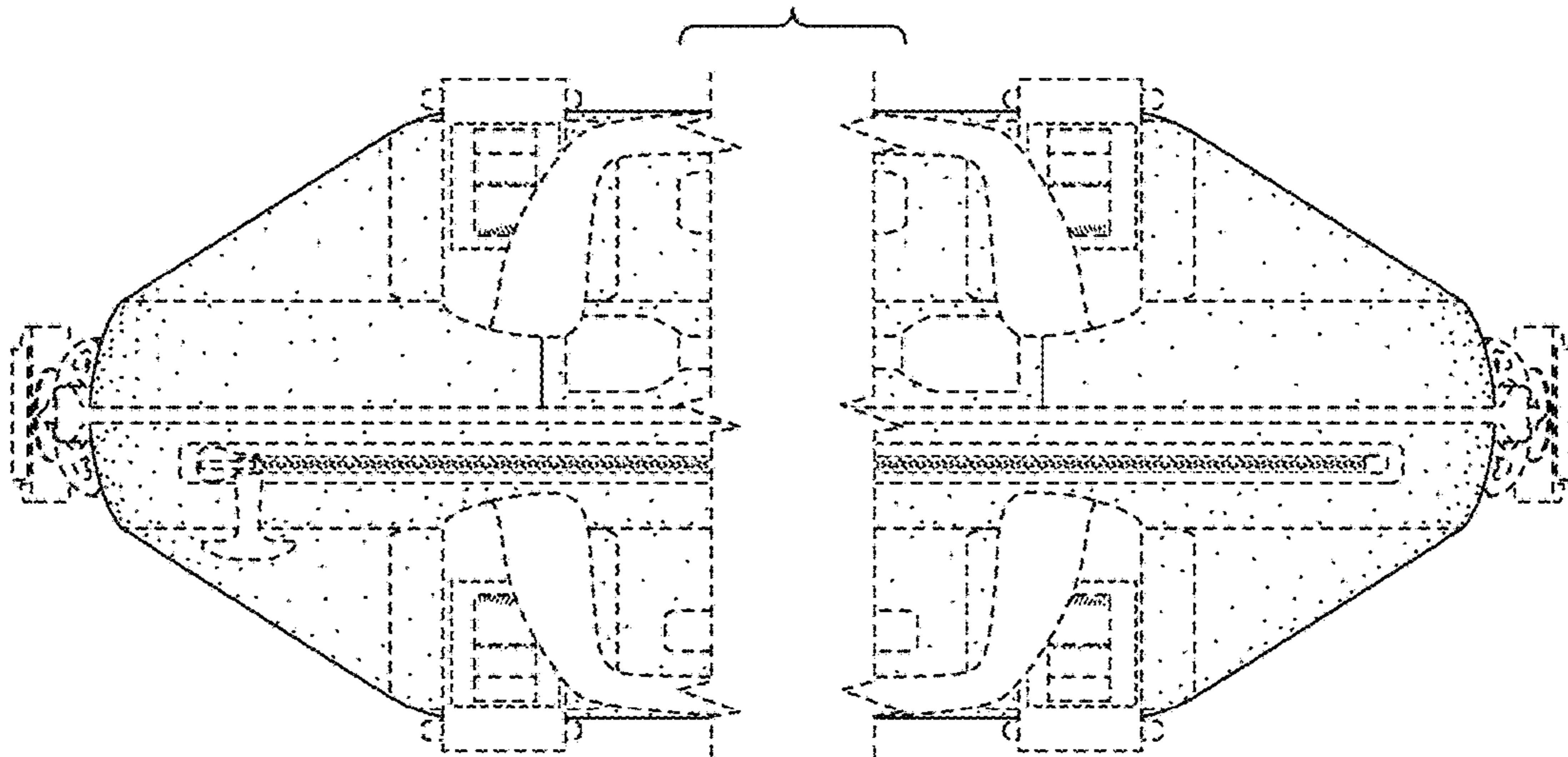


FIG. 6