



US00D830130S

(12) **United States Design Patent**
Celebrero

(10) **Patent No.:** **US D830,130 S**

(45) **Date of Patent:** **** Oct. 9, 2018**

(54) **FOOD AND BEVERAGE TRAY HEAD GEAR**

(71) Applicant: **David Conlan Celebrero**, Saint Anthony, MN (US)

(72) Inventor: **David Conlan Celebrero**, Saint Anthony, MN (US)

(**) Term: **15 Years**

(21) Appl. No.: **29/615,984**

(22) Filed: **Sep. 1, 2017**

(51) **LOC (11) Cl.** **07-01**

(52) **U.S. Cl.**
USPC **D7/551.1**

(58) **Field of Classification Search**
USPC D7/396.4, 501, 505, 538, 540, 541-543, D7/545, 546, 549, 552.1, 553, 553.1, D7/553.2, 553.6, 554.2; D9/424, 761
CPC ... B65D 1/34; B65D 1/36; B65D 1/00; B65D 5/00

See application file for complete search history.

(56) **References Cited**

U.S. PATENT DOCUMENTS

- D285,638 S * 9/1986 Trivison D7/557
- 5,960,982 A * 10/1999 Perlis A47G 19/065
206/558
- D444,676 S * 7/2001 Murphy D7/553.6
- D486,991 S * 2/2004 Lee D7/357
- D559,472 S * 1/2008 Abinanti D30/129
- D609,058 S * 2/2010 Roth D7/602
- D681,888 S * 5/2013 Fang D30/132
- D707,085 S * 6/2014 Carmichael D7/554.2

- D745,806 S * 12/2015 Hand D7/549
- D747,151 S * 1/2016 Liming D7/553.6
- D770,857 S * 11/2016 Davidson D7/553.6
- D801,106 S * 10/2017 Mirchandani D7/357
- 2012/0308701 A1 * 12/2012 Campbell A21B 3/135
426/503

* cited by examiner

Primary Examiner — Kelley Donnelly

(74) *Attorney, Agent, or Firm* — Dave Alan Lingbeck

(57) **CLAIM**

The ornamental design for a food and beverage tray head gear, as shown and described.

DESCRIPTION

FIG. 1 is a top perspective view of a food and beverage tray head gear showing my new design.

FIG. 2 is bottom perspective view of the food and beverage tray head gear.

FIG. 3 is a side elevation view of the food and beverage tray head gear with all side elevation views being mirror images thereof.

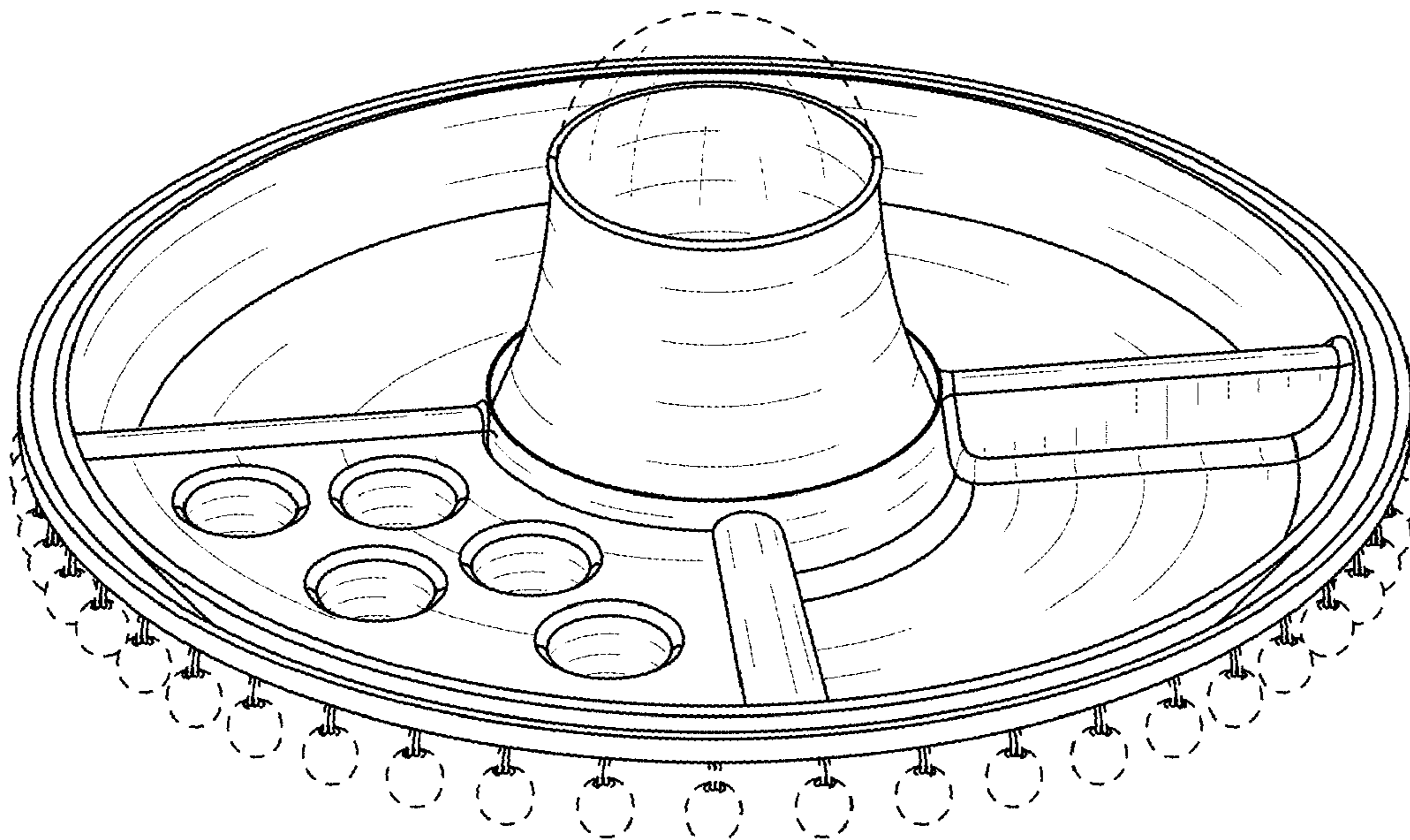
FIG. 4 is a top plan view of the food and beverage tray head gear.

FIG. 5 is a bottom plan view of the food and beverage tray head gear; and,

FIG. 6 is cross sectional view of the food and beverage tray head gear.

The broken lines showing is included for the purpose of illustrating environment and forms no part of the claimed design.

1 Claim, 6 Drawing Sheets



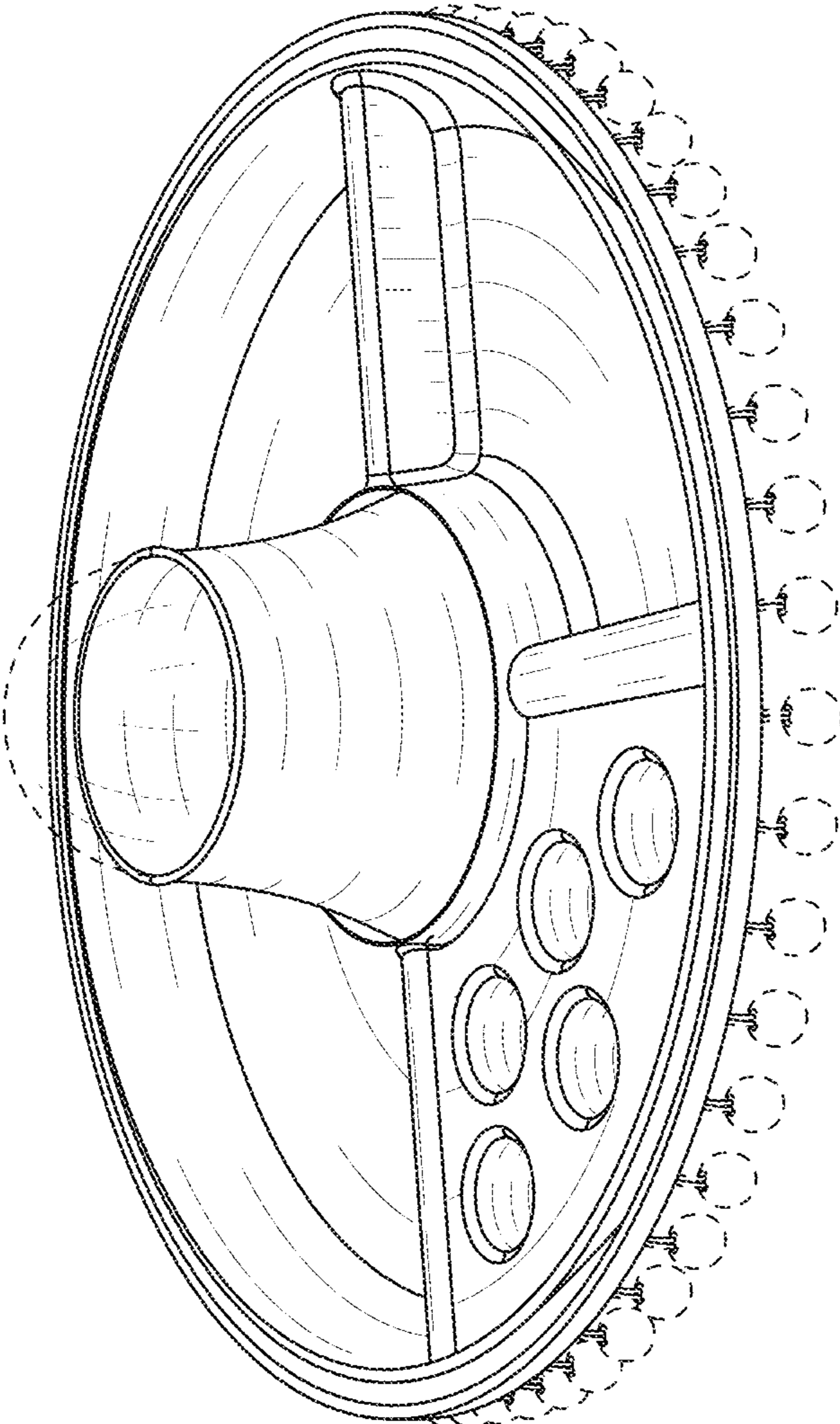


FIG.1

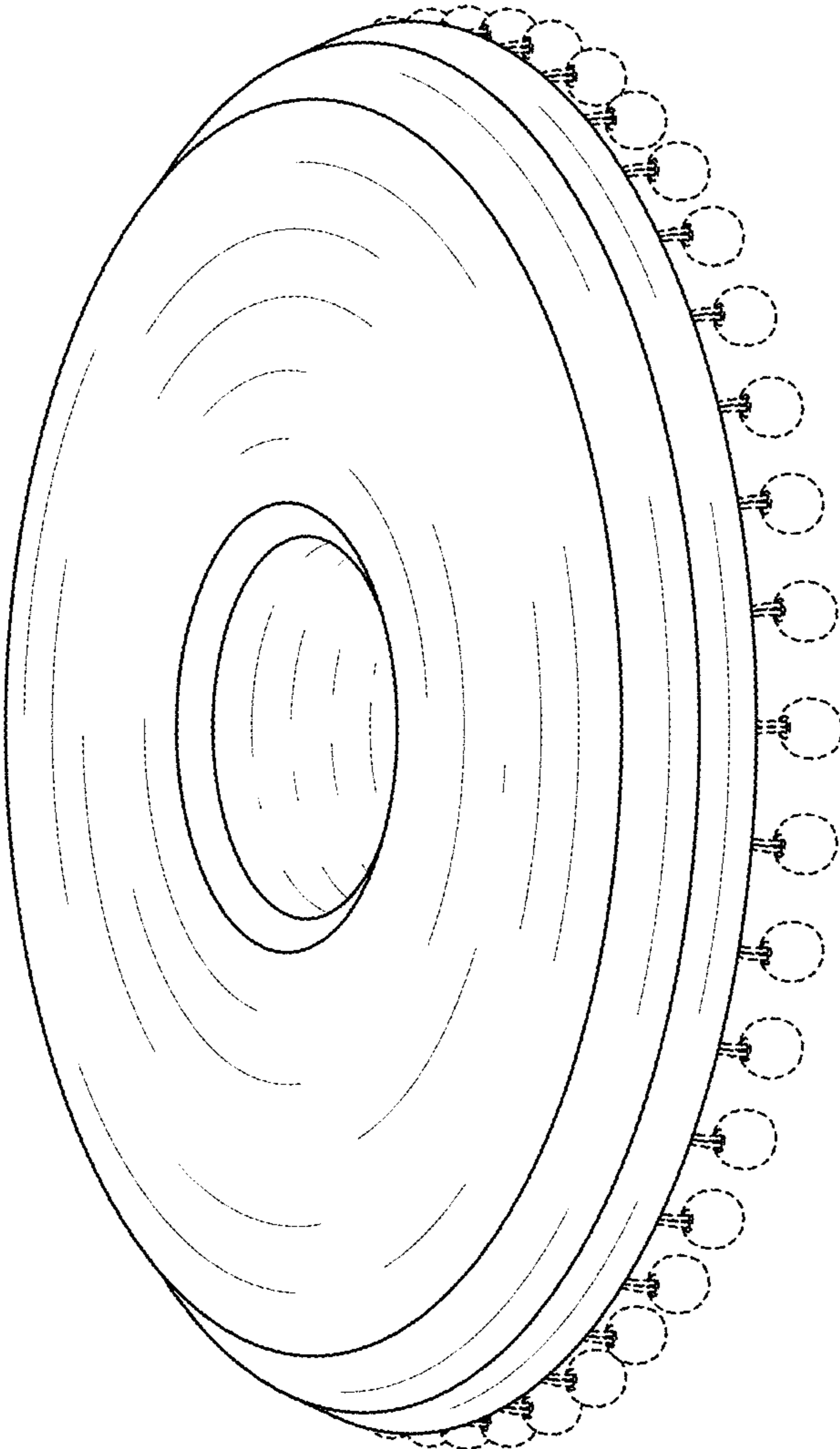


FIG.2

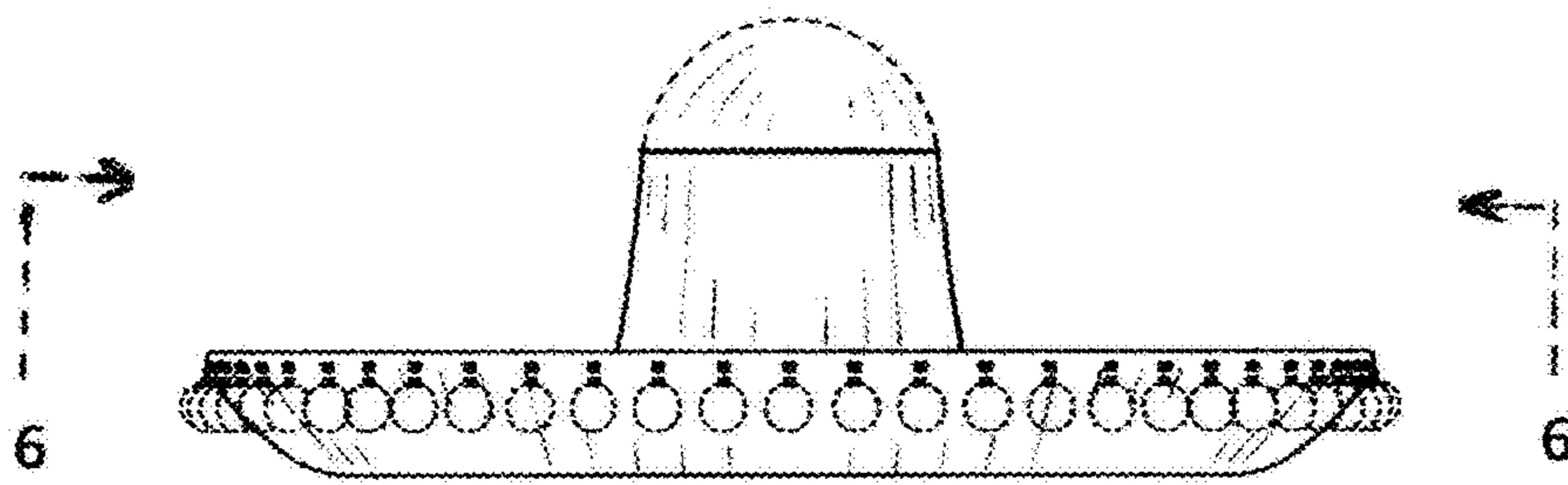


FIG.3

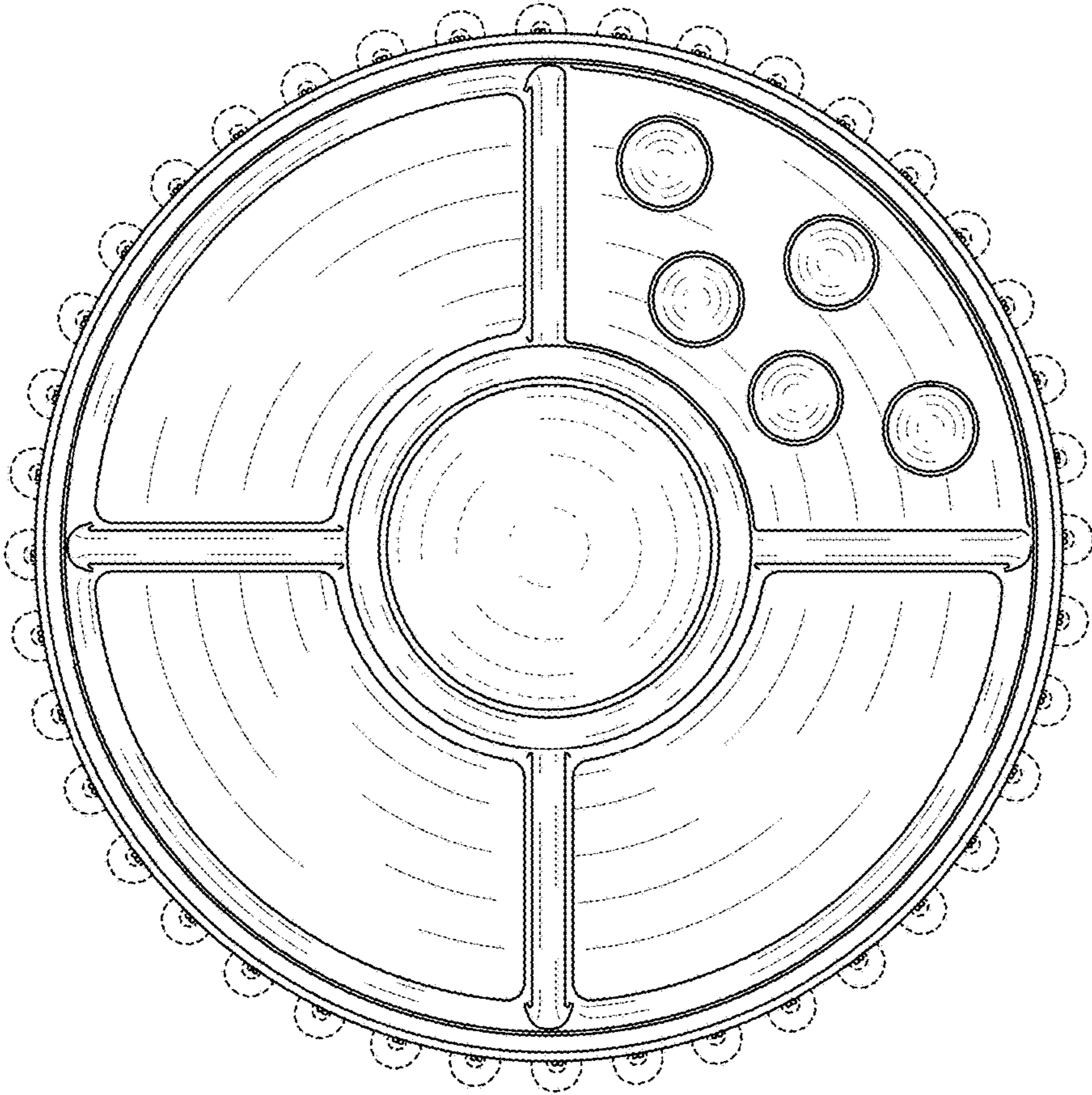


FIG.4

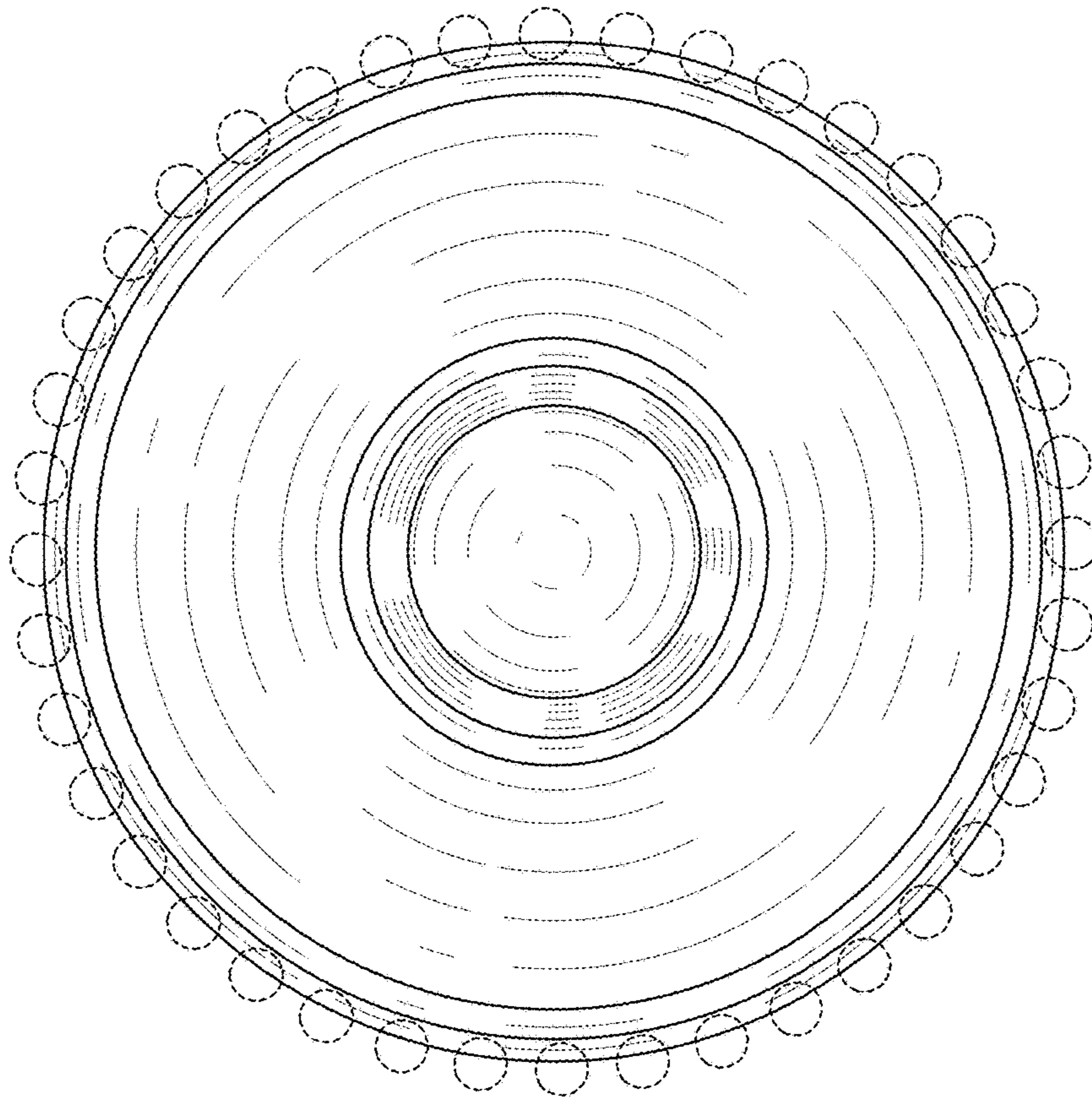


FIG.5

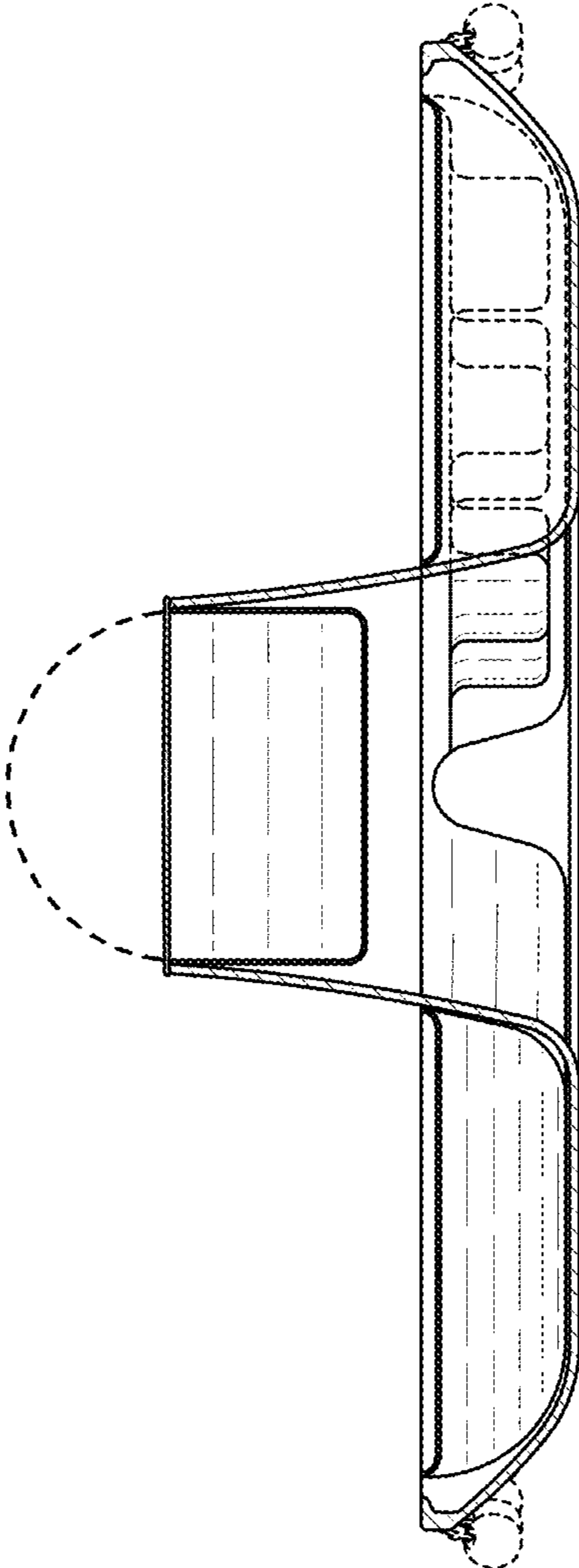


FIG.6