



US00D830129S

(12) **United States Design Patent**
Cohn et al.

(10) **Patent No.:** **US D830,129 S**
(45) **Date of Patent:** **** Oct. 9, 2018**

(54) **RECLINING MUG**

(71) Applicant: **Sheldon Hochman Cohn**, West
Bloomfield, MI (US)

(72) Inventors: **Sheldon Hochman Cohn**, West
Bloomfield, MI (US); **Curtis Patrick
Taylor**, Chagrin Falls, OH (US);
Matthew Gregory Hanson, Chagrin
Falls, OH (US); **Denise Marie Kleiner**,
Otisville, MI (US)

(73) Assignee: **Sheldon Hochman Cohn**, West
Bloomfield, MI (US)

(**) Term: **15 Years**

(21) Appl. No.: **29/640,608**

(22) Filed: **Mar. 15, 2018**

(51) **LOC (11) Cl.** **07-01**

(52) **U.S. Cl.**
USPC **D7/533; D7/536; D7/509; D7/318**

(58) **Field of Classification Search**
USPC D7/392.1, 396.2, 387, 396.3, 388, 900,
D7/507, 555, 510, 511, 533, 536, 397,
D7/398, 396.1, 620, 619.1, 532, 509, 608,
D7/312, 315, 316, 318, 319; D9/436,
D9/434, 435, 454, 420, 414, 453, 555,
D9/553, 568, 450; 220/200, 703, 592.16,
220/592.17; D8/382, 395, 396, 394;
D11/143, 153
CPC B65D 41/56; B65D 43/02; B65D 1/265;
A47G 19/2216; A47G 19/22; A47G
19/2222; A47G 19/2266

See application file for complete search history.

(56) **References Cited**

U.S. PATENT DOCUMENTS

497,940 A 5/1893 Bacon, Jr.
2,069,089 A 1/1937 Goldman et al.

2,271,822 A 2/1942 Hills
D144,905 S 6/1946 Cameron
D164,310 S * 8/1951 Mechen 222/466
D165,042 S * 10/1951 Zeisel D7/319
D170,788 S * 11/1953 Zeisel D7/566
D177,436 S * 4/1956 Schrechengost 220/606

(Continued)

FOREIGN PATENT DOCUMENTS

CN 204838945 U 12/2015
RU 2547688 C1 4/2015

(Continued)

OTHER PUBLICATIONS

Skinner Inc, 2008, "African Carved Wood Cup", skinnerinc.com;
<http://www.skinnerinc.com/auctions/2408/lots/69>, [accessed Dec. 18,
2017].

Primary Examiner — Marianne Pandozzi

Assistant Examiner — Jae Liang

(74) *Attorney, Agent, or Firm* — Brooks Kushman P.C.

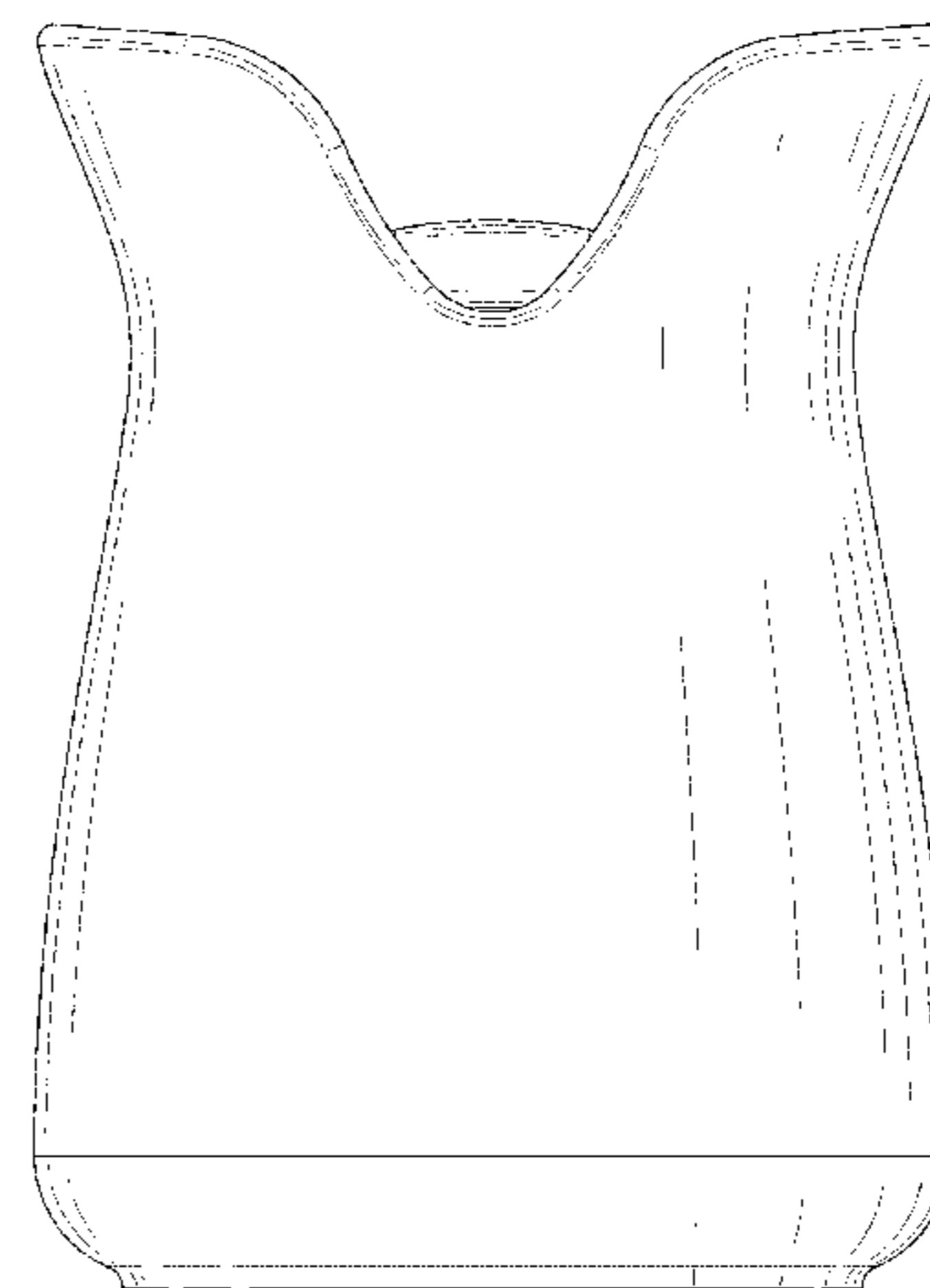
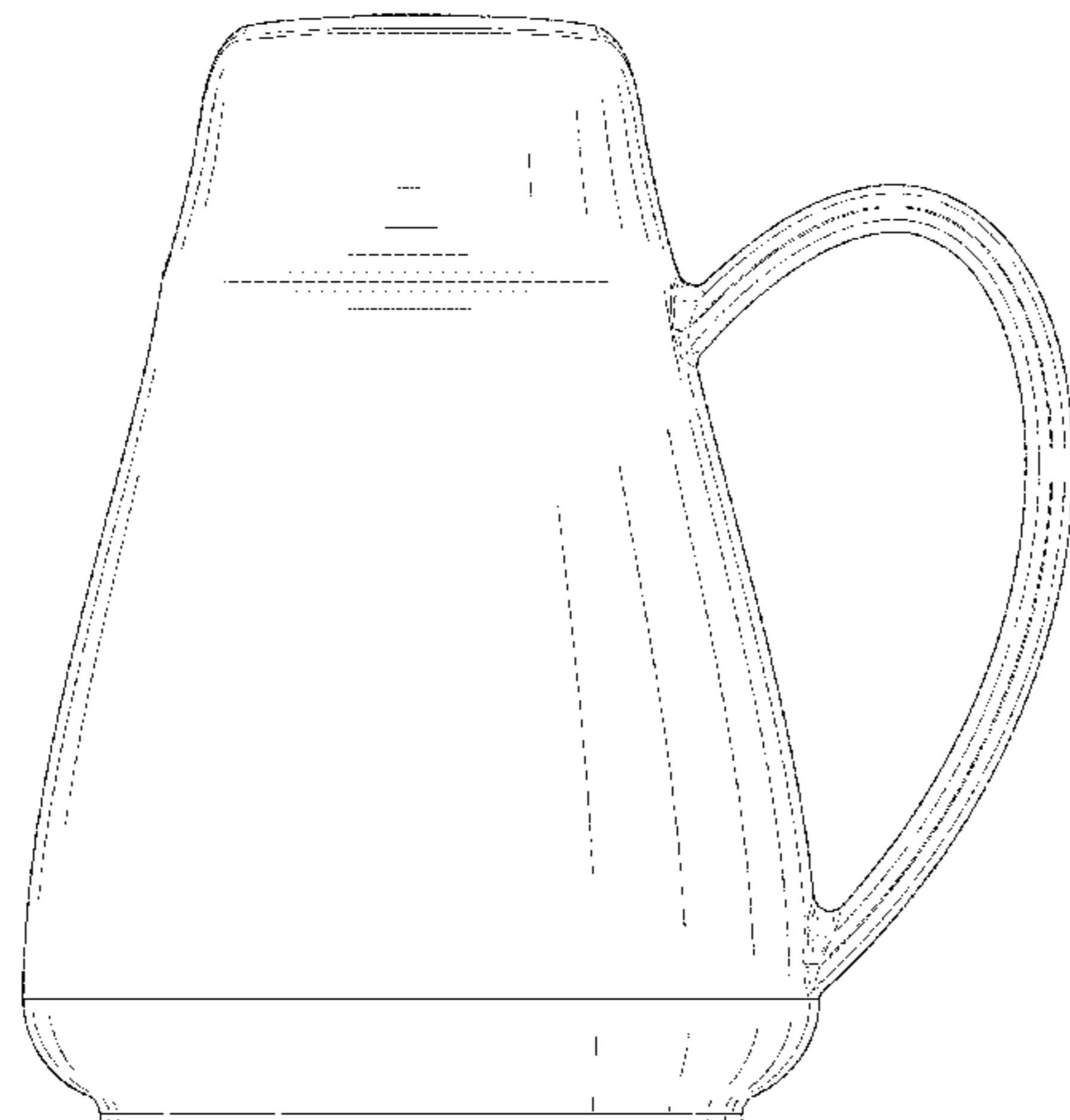
(57) **CLAIM**

The ornamental design for a reclining mug, as shown and
described.

DESCRIPTION

FIG. 1 is a top right perspective view of a reclining mug
showing our new design;
FIG. 2 is a bottom left perspective view, the rear side being
a mirror image thereof;
FIG. 3 is a front elevational view thereof; the rear eleva-
tional view being a mirror image thereof;
FIG. 4 is a left side elevational view;
FIG. 5 is right side elevational view;
FIG. 6 is a top plan view thereof; and,
FIG. 7 is a bottom plan view thereof.
The broken lines in the drawings depict portions of the
reclining mug that form no part of the claimed design.

1 Claim, 7 Drawing Sheets



(56)

References Cited

U.S. PATENT DOCUMENTS

3,085,710 A * 4/1963 McIlroy A47G 19/2272
 215/307
 4,235,348 A 11/1980 Watson
 5,323,928 A 6/1994 Stevens
 D377,436 S * 1/1997 Poly D7/318
 D417,818 S * 12/1999 Lillelund D7/503
 D426,430 S 6/2000 Verherbrugghen et al.
 D429,959 S * 8/2000 Otake D7/510
 D433,802 S * 11/2000 Graham D3/229
 D443,170 S * 6/2001 Brest D7/315
 D464,231 S 10/2002 Crowley
 D551,503 S * 9/2007 Bouie D7/509
 D587,958 S * 3/2009 Schosser D7/316
 D685,608 S 7/2013 Bangert
 D695,071 S * 12/2013 Franco D7/515
 D722,464 S * 2/2015 Williams D7/316
 D722,824 S 2/2015 Albert

D762,980 S 8/2016 Aller et al.
 D775,464 S 1/2017 Aller et al.
 D789,744 S 6/2017 LeFebvre
 D793,148 S * 8/2017 Beckman D7/319
 D804,949 S * 12/2017 Godfroid D9/448
 2001/0004080 A1 6/2001 Cutler et al.
 2002/0070225 A1 6/2002 Bergeron
 2005/0121456 A1 6/2005 Cutler et al.
 2007/0062961 A1 3/2007 Rigas
 2008/0083766 A1 4/2008 De Rosa
 2010/0314434 A1 12/2010 Herman
 2011/0297688 A1 12/2011 Bangert
 2013/0313271 A1 11/2013 Speciale
 2016/0073807 A1 3/2016 Leitchick

FOREIGN PATENT DOCUMENTS

WO 2011045286 A1 4/2011
 WO 2013002972 A1 1/2013

* cited by examiner



FIG. 1



FIG. 2



FIG. 3

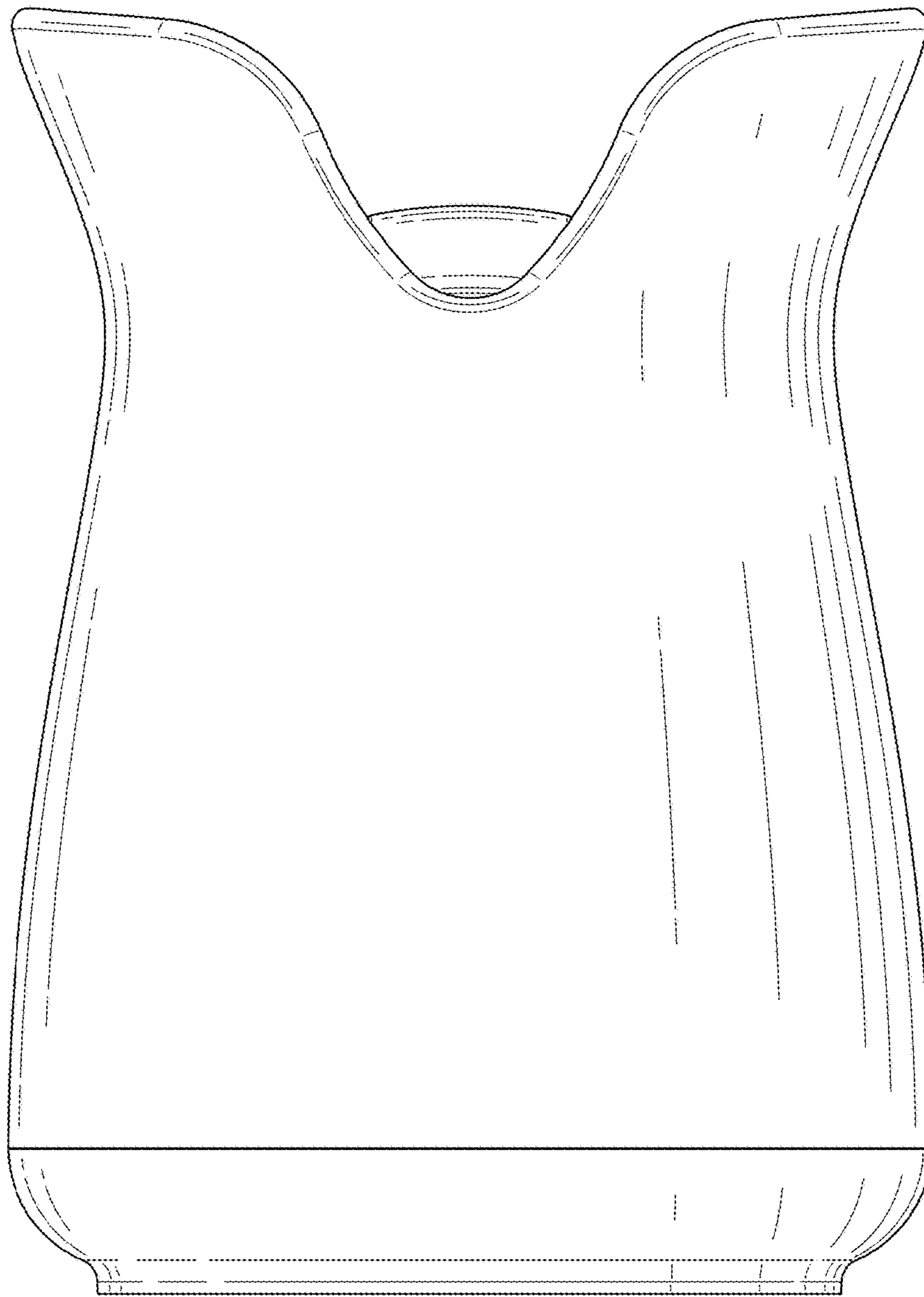


FIG. 4

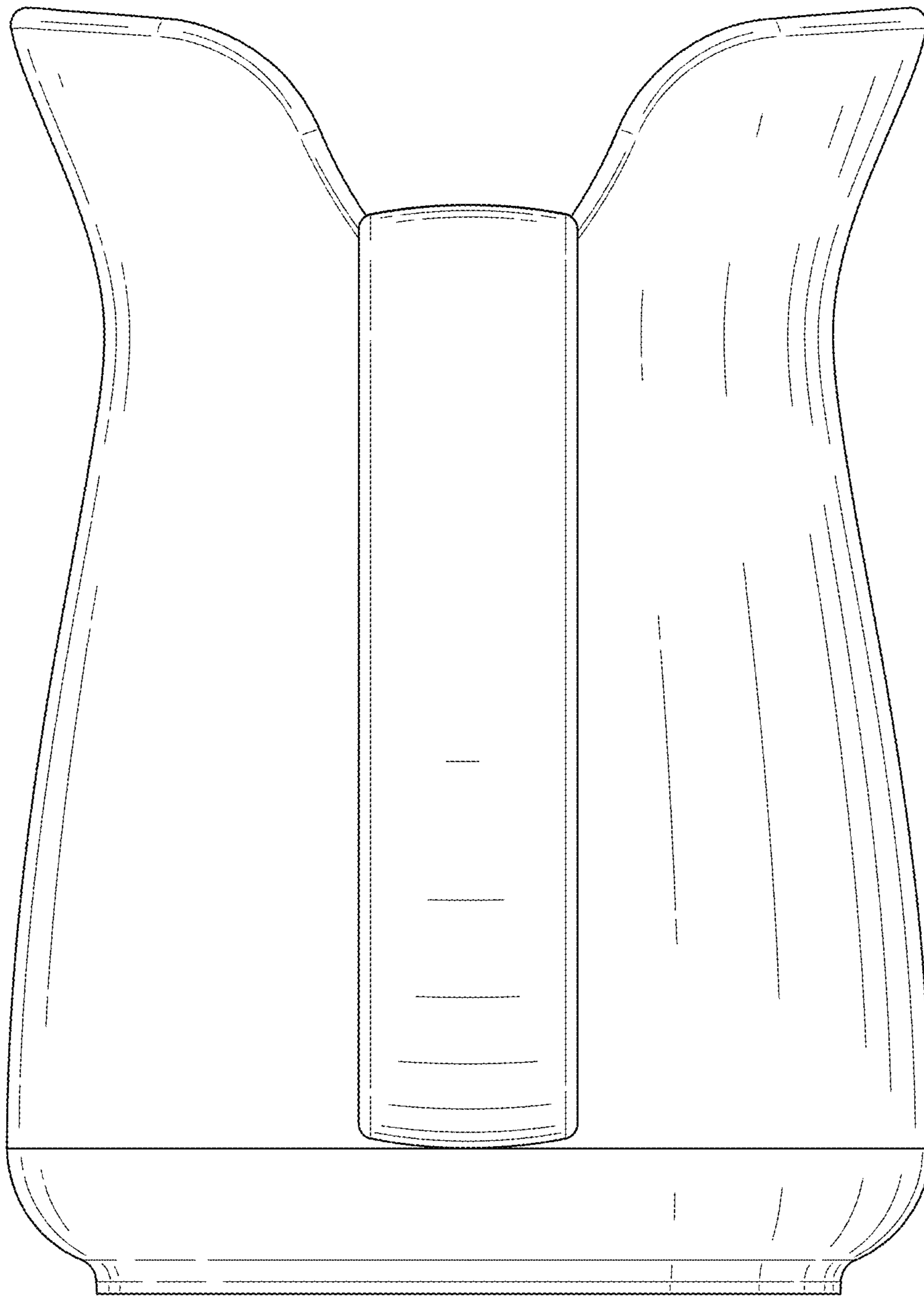


FIG. 5

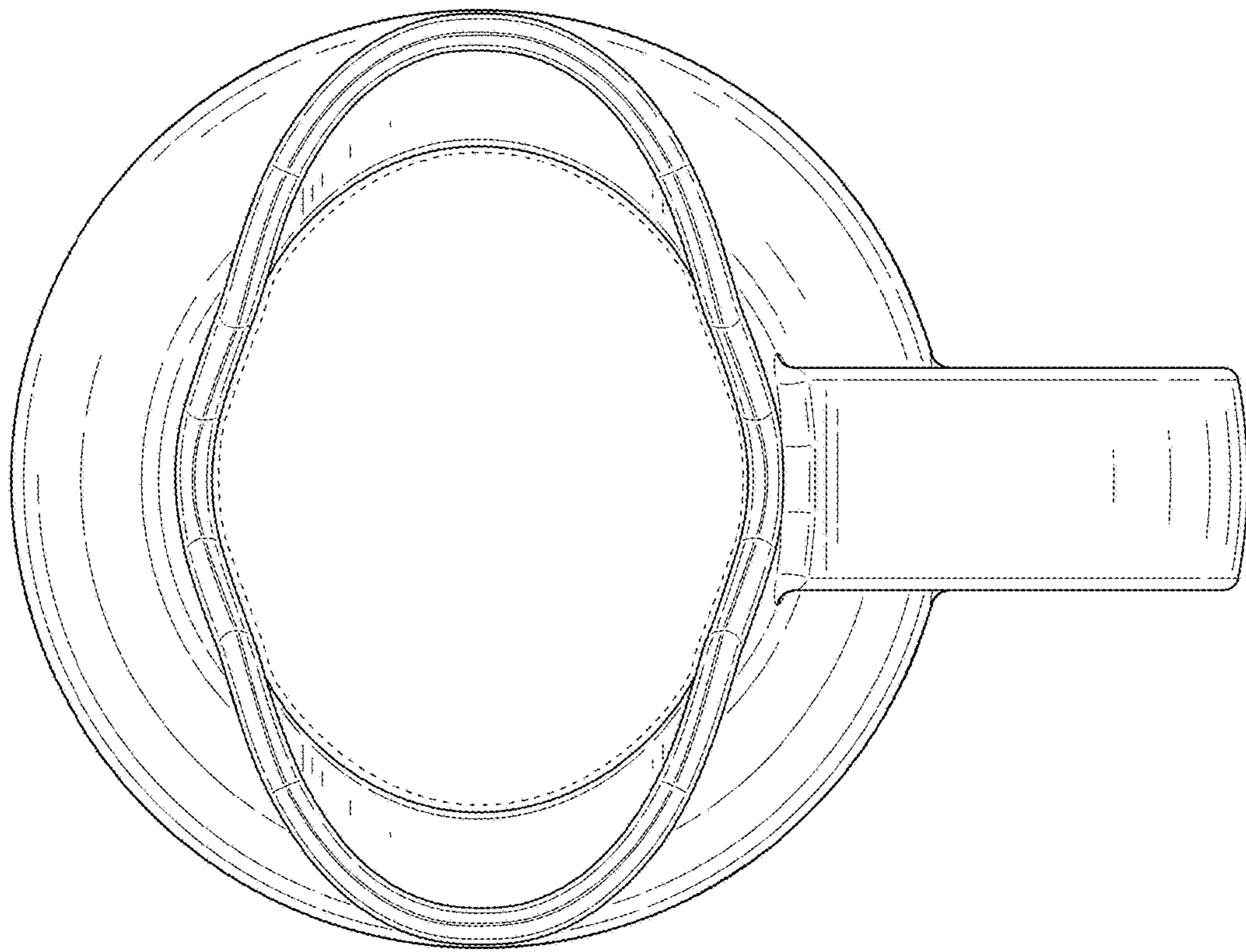


FIG. 6

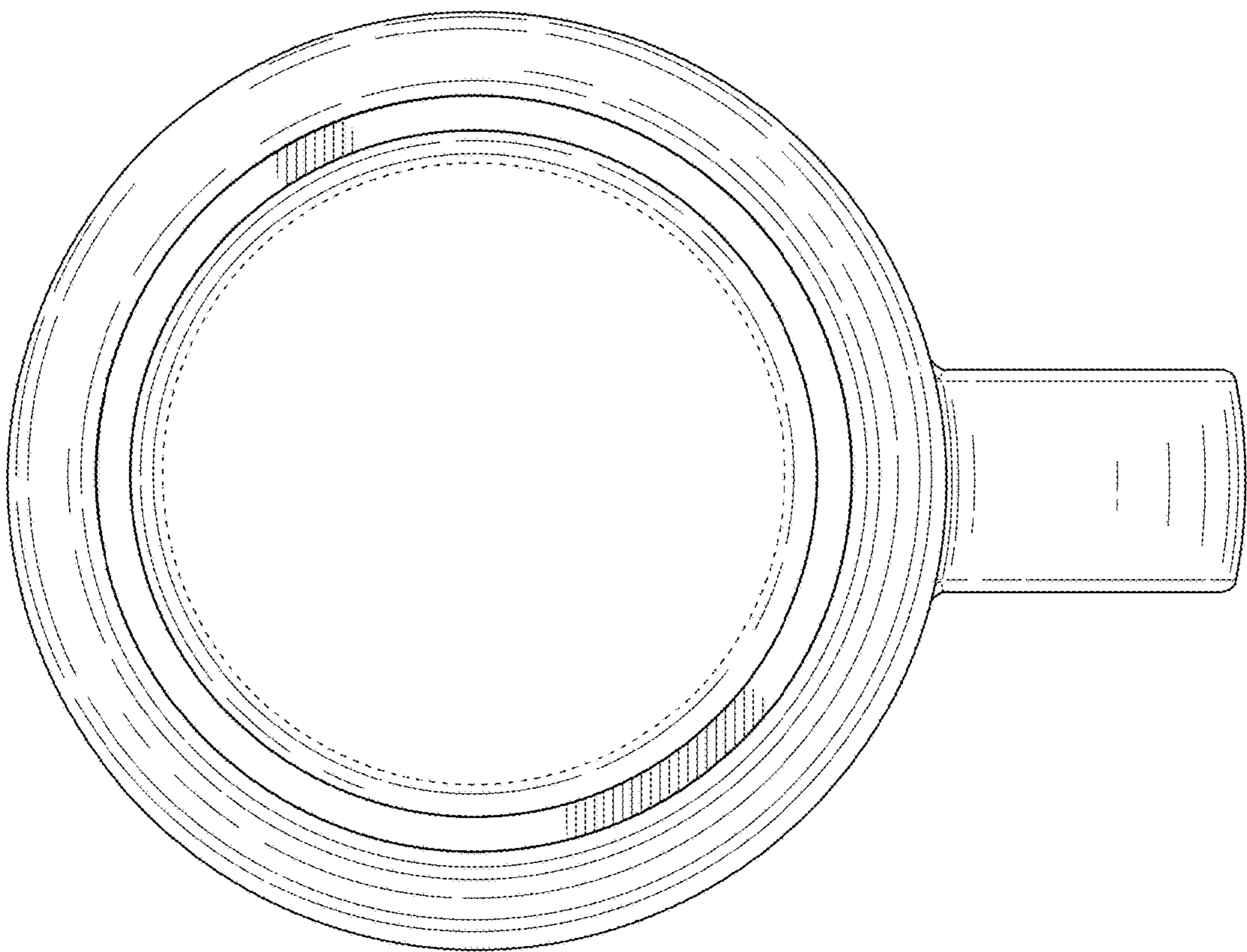


FIG. 7