

US00D830126S

(12) **United States Design Patent** (10) **Patent No.:** **US D830,126 S**
Rohe (45) **Date of Patent:** **** Oct. 9, 2018**

(54) **TRAVEL MUG**

FOREIGN PATENT DOCUMENTS

(71) Applicant: **Jeffrey T. Rohe**, Lake Mary, FL (US)

AU 140886 6/2000
AU 315862 8/2007

(72) Inventor: **Jeffrey T. Rohe**, Lake Mary, FL (US)

(Continued)

(**) Term: **15 Years**

OTHER PUBLICATIONS

(21) Appl. No.: **29/573,172**

Screen shot of NutriBullet 24 oz Tall Cup with Lip Ring, accessed from internet on Jul. 26, 2014.

(22) Filed: **Aug. 3, 2016**

(Continued)

(51) **LOC (11) Cl.** **07-01**

(52) **U.S. Cl.**

USPC **D7/510**; D7/523; D7/509

(58) **Field of Classification Search**

USPC D7/509, 510, 540, 523, 538; D9/428, D9/538, 539, 559

CPC A47G 19/22; A47J 43/27

See application file for complete search history.

Primary Examiner — Daniel D Bui

Assistant Examiner — Andrew Kerr

(74) *Attorney, Agent, or Firm* — Hahn Loeser & Parks LLP

(56) **References Cited**

(57) **CLAIM**

The ornamental design for a travel mug, as shown and described.

U.S. PATENT DOCUMENTS

DESCRIPTION

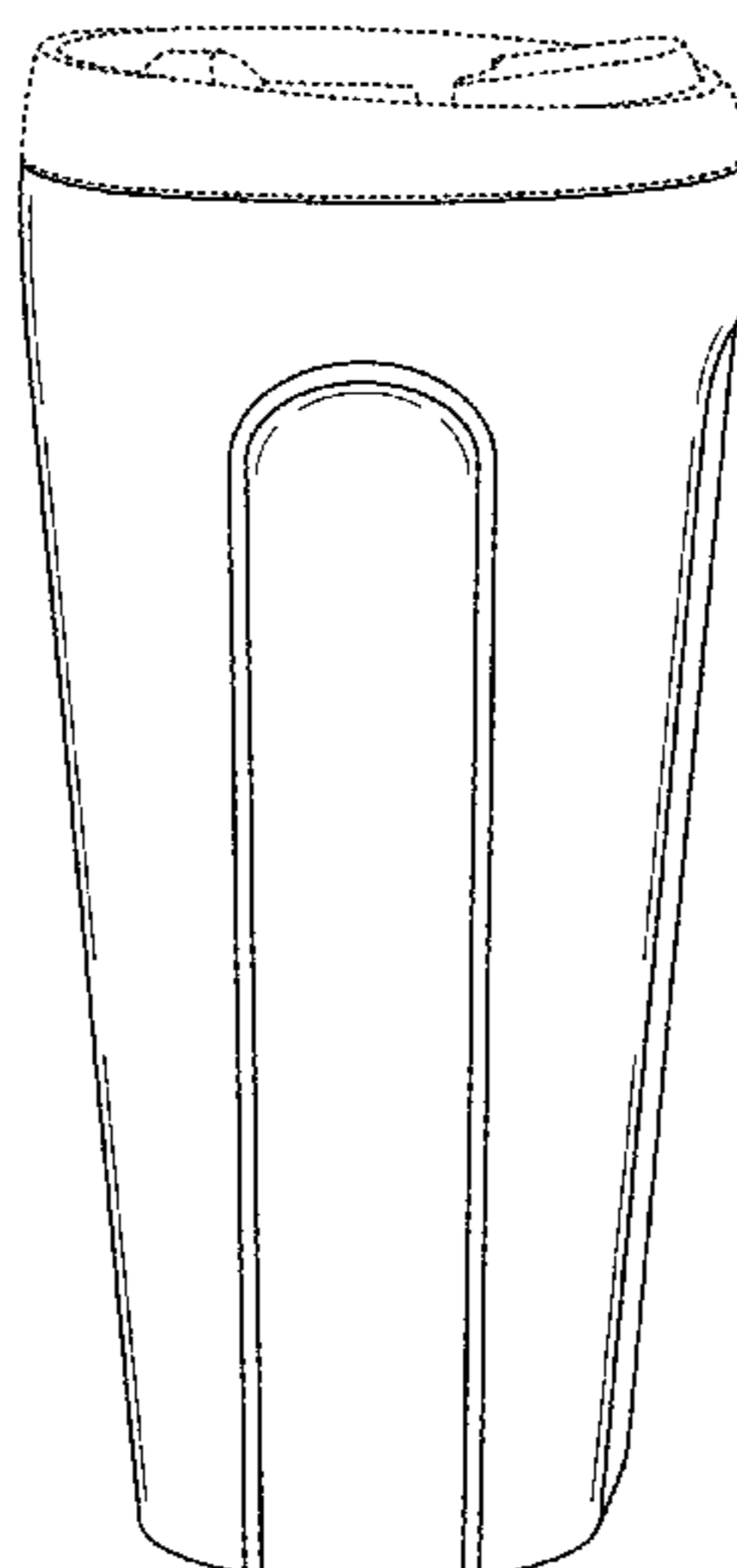
D38,167 S	8/1906	Wintermann
1,197,389 A	9/1916	Newton
1,832,806 A	11/1931	Dawson
D96,737 S	9/1935	Funfrock
D120,587 S	5/1940	Hinkins
D146,688 S	4/1947	Snyder
2,685,319 A	8/1954	Swasko
3,189,937 A	6/1965	Sciortino
3,261,635 A	7/1966	Talay
D210,067 S	2/1968	Abe
D211,514 S	6/1968	Amberg
D213,094 S	1/1969	Davis
D213,174 S	1/1969	Davis
3,964,631 A	6/1976	Albert
4,047,263 A	9/1977	Tietze
4,099,642 A	7/1978	Nergard
4,212,408 A	7/1980	Valenzona
4,320,856 A	3/1982	Stewart et al.
4,414,866 A	11/1983	Kichijyo
D290,323 S	6/1987	Weernink
D290,568 S	6/1987	Feltman et al.

FIG. 1 is a perspective view of a travel mug according to the concepts of the present invention;
 FIG. 2 is a front elevational view of the travel mug shown in FIG. 1;
 FIG. 3 is a back elevational view of the travel mug shown in FIG. 1;
 FIG. 4 is a left side elevational view of the travel mug shown in FIG. 1;
 FIG. 5 is a right side elevational view of the travel mug shown in FIG. 1;
 FIG. 6 is a top plan view of the travel mug shown in FIG. 1; and,
 FIG. 7 is a bottom plan view of the travel mug shown in FIG. 1.

In the drawings, the broken lines depict portions of the design that form no part of the claimed invention.

(Continued)

1 Claim, 6 Drawing Sheets



(56)

References Cited

U.S. PATENT DOCUMENTS

D299,688 S	2/1989	Chung	D433,599 S	11/2000	Kristiansen et al.	
D302,919 S	8/1989	Feltman, III et al.	D433,877 S	11/2000	Bickert et al.	
4,900,886 A	2/1990	Bridges	D434,275 S	11/2000	Ginuntoli et al.	
D307,089 S	4/1990	Lage	6,142,636 A	11/2000	Nemoto et al.	
4,929,211 A	5/1990	Resnick et al.	D436,294 S	1/2001	Marck	
4,984,707 A	1/1991	Fierthaler	D436,501 S	1/2001	Huang	
D314,308 S	2/1991	Cogswell	D436,800 S	1/2001	Nowak et al.	
4,989,870 A	2/1991	Janes	D436,802 S	1/2001	Kaposi et al.	
5,029,720 A	7/1991	Bridges	D437,185 S	2/2001	Freed	
D319,755 S	9/1991	Guy	D442,029 S	5/2001	Otake	
D322,218 S	12/1991	Lynd	D443,821 S	6/2001	Bakic	
5,154,306 A	10/1992	Wyatt	D444,673 S	7/2001	Lin	
D334,322 S	3/1993	Huang	D446,121 S	8/2001	Maddy	
5,217,141 A	6/1993	Ross	D451,023 S	11/2001	Kitamura et al.	
D339,029 S	9/1993	Schaeppi	D453,446 S	2/2002	Bodum	
D343,991 S	2/1994	Schaeppi	D457,032 S	5/2002	Copeland	
5,312,013 A	5/1994	Bridges	D457,035 S	5/2002	Hurlbut	
D357,414 S	4/1995	Kornick et al.	D457,389 S	5/2002	Snell	
D358,530 S	5/1995	Mehra et al.	D457,395 S	5/2002	Gluck	
D362,369 S	9/1995	Bridges	D458,081 S	6/2002	Bodum	
D364,319 S	11/1995	Schaeppi	D458,844 S	6/2002	Shea	
D364,536 S	11/1995	Law	D459,992 S	7/2002	Olsen	
5,465,891 A	11/1995	Bridges	D460,894 S	7/2002	Ziegenfus et al.	
D365,247 S	12/1995	Sokolski et al.	D462,236 S	9/2002	Hurlbut	
5,477,979 A	12/1995	Goessling et al.	D462,576 S	9/2002	Janky	
D365,727 S	1/1996	Adams et al.	D462,871 S	9/2002	Kramer et al.	
5,495,966 A	3/1996	Won	D462,875 S	9/2002	Norris et al.	
5,515,995 A	5/1996	Allen et al.	D463,211 S	9/2002	Norris et al.	
D372,164 S	7/1996	Ahern, Jr.	D463,744 S	10/2002	Brozell	
D374,399 S	10/1996	Neveras et al.	D469,309 S	1/2003	Janky	
5,586,682 A	12/1996	Yeh	6,511,031 B2	1/2003	Lin	
5,588,561 A	12/1996	Ness	6,557,717 B1	5/2003	Keck	
D377,293 S	1/1997	Husted	D475,891 S	6/2003	Bin	
D378,264 S	3/1997	Lage et al.	D476,193 S	6/2003	Janky	
5,667,895 A	9/1997	Jenkner	D477,185 S	7/2003	Janky	
5,678,925 A	10/1997	Garmaise et al.	D478,779 S	8/2003	Stamper, III et al.	
D386,948 S	12/1997	Wissinger	D480,267 S	10/2003	Freed et al.	
5,722,574 A	3/1998	Pratt	D480,268 S	10/2003	Laib	
5,729,922 A	3/1998	Peterson et al.	D480,601 S	10/2003	Pettaweebuncha	
5,739,758 A	4/1998	Driska et al.	D482,933 S	12/2003	Norris et al.	
D396,381 S	7/1998	Chung	D483,611 S	12/2003	Diak Ghanem	
D396,777 S	8/1998	Inoue	D483,615 S	12/2003	Norris et al.	
D397,912 S	9/1998	Goessling, Jr.	D486,996 S	2/2004	Karp	
D398,187 S	9/1998	Parker	D488,348 S	4/2004	Liu	
D399,392 S	10/1998	Husted	D488,376 S	4/2004	Chung	
5,830,109 A	11/1998	Juarez	6,722,514 B2	4/2004	Renz	
5,842,612 A	12/1998	Won	D490,272 S	5/2004	Rohe	
5,857,241 A	1/1999	Camp, Jr. et al.	D492,157 S	6/2004	Bodum	
5,873,493 A	2/1999	Robinson	D502,844 S	3/2005	Rohe	
D407,597 S	4/1999	Diehl	D505,294 S	5/2005	Gauss	
D409,043 S	5/1999	Lillelund et al.	D508,185 S	8/2005	Gauss	
D411,713 S	6/1999	Bridges	D508,402 S	8/2005	Hierzer et al.	
5,918,761 A	7/1999	Wissinger	D514,884 S *	2/2006	Smith D7/509	
5,944,235 A	8/1999	Won	D521,318 S *	5/2006	Huang D7/523	
D416,757 S	11/1999	Ginuntoli	7,073,678 B1	7/2006	Dibdin et al.	
5,975,333 A	11/1999	Lee	D528,862 S	9/2006	Li	
5,984,156 A	11/1999	Bridges	D539,607 S	4/2007	Lapsker	
D417,819 S	12/1999	Kelly-Pollet	D540,119 S	4/2007	Lapsker	
D418,013 S	12/1999	Fujii	D543,776 S	6/2007	Yelland	
6,001,049 A	12/1999	Frey	D545,118 S	6/2007	Lieberman et al.	
D418,374 S	1/2000	McNamee et al.	D548,008 S	8/2007	Lin	
D420,550 S	2/2000	Elshof	D549,596 S	8/2007	Ioannides et al.	
6,035,660 A	3/2000	Craft	D553,308 S	10/2007	Klein	
D422,842 S	4/2000	Freed	D562,065 S	2/2008	Smaldone	
D424,878 S	5/2000	Freed	D564,841 S	3/2008	Clemens et al.	
D425,362 S	5/2000	Meyers et al.	D565,901 S	4/2008	Edelstein et al.	
D425,758 S	5/2000	Freed	D571,152 S *	6/2008	Tien D7/509	
6,065,656 A	5/2000	Elshof	D572,975 S	7/2008	Germany	
D426,109 S	6/2000	Freed	D574,192 S *	8/2008	Schosser D7/509	
6,073,796 A	6/2000	Mogil	D581,271 S	11/2008	Laupie	
6,098,834 A	8/2000	Hatsumoto et al.	D597,365 S	8/2009	Oas	
6,102,244 A	8/2000	Kuwano et al.	D608,591 S	1/2010	Hillebrenner et al.	
6,119,888 A	9/2000	Goto et al.	D632,918 S	2/2011	Gordon	
6,126,024 A	10/2000	Ramirez et al.	8,672,164 B2	3/2014	Honeyghan	
D433,277 S	11/2000	Copeland	D713,686 S	9/2014	Eyal	
			D743,209 S	11/2015	Maas et al.	
			D744,286 S	12/2015	Morris, II et al.	
			D753,482 S *	4/2016	Serrano D9/428	
			D779,273 S	2/2017	Lee et al.	

(56)

References Cited

U.S. PATENT DOCUMENTS

D791,543	S	7/2017	Mulhauser et al.
2005/0115977	A1	6/2005	Dibdin et al.
2006/0226160	A1	10/2006	Elsaden et al.
2007/0210093	A1	9/2007	Pinelli
2008/0272134	A1	11/2008	Rohe
2010/0224641	A1	9/2010	Hanel
2015/0182047	A1	7/2015	Salles, Jr. et al.
2017/0121073	A1	5/2017	Seiders et al.

FOREIGN PATENT DOCUMENTS

CZ	001751181-0001	9/2010
CZ	001751181-00001	9/2010
CZ	002179499-0001	2/2013
KR	212065-1	4/1998

OTHER PUBLICATIONS

Screen shot of Insulated Cold To-Go Tumbler 16 oz, accessed from internet on Jul. 26, 2014.

Screenshot of Libbey Rock Sharpe Chivalry Clear 22 oz Tumber, <http://www.ebay.com/itm/Libbey-Rock-Sharpe-CHIVALRY-CLEAR-CC-...> Jul. 25, 2016.

Screenshot of NutriBullet 24 oz Tall Cup with Lip Ring, <https://www.nutriliving.com/shop/nutribullet-tall-cup>, accessed from internet on Jul. 26, 2016.

Screenshot of Insulated Gold to Go Tumbler 16 oz, <https://uedata.amazon.com/Aladdin-Insulated-To-Go-Tumbler-Clear/dp/B004BKTEGG>, accessed from internet on Jul. 26, 2016.

* cited by examiner

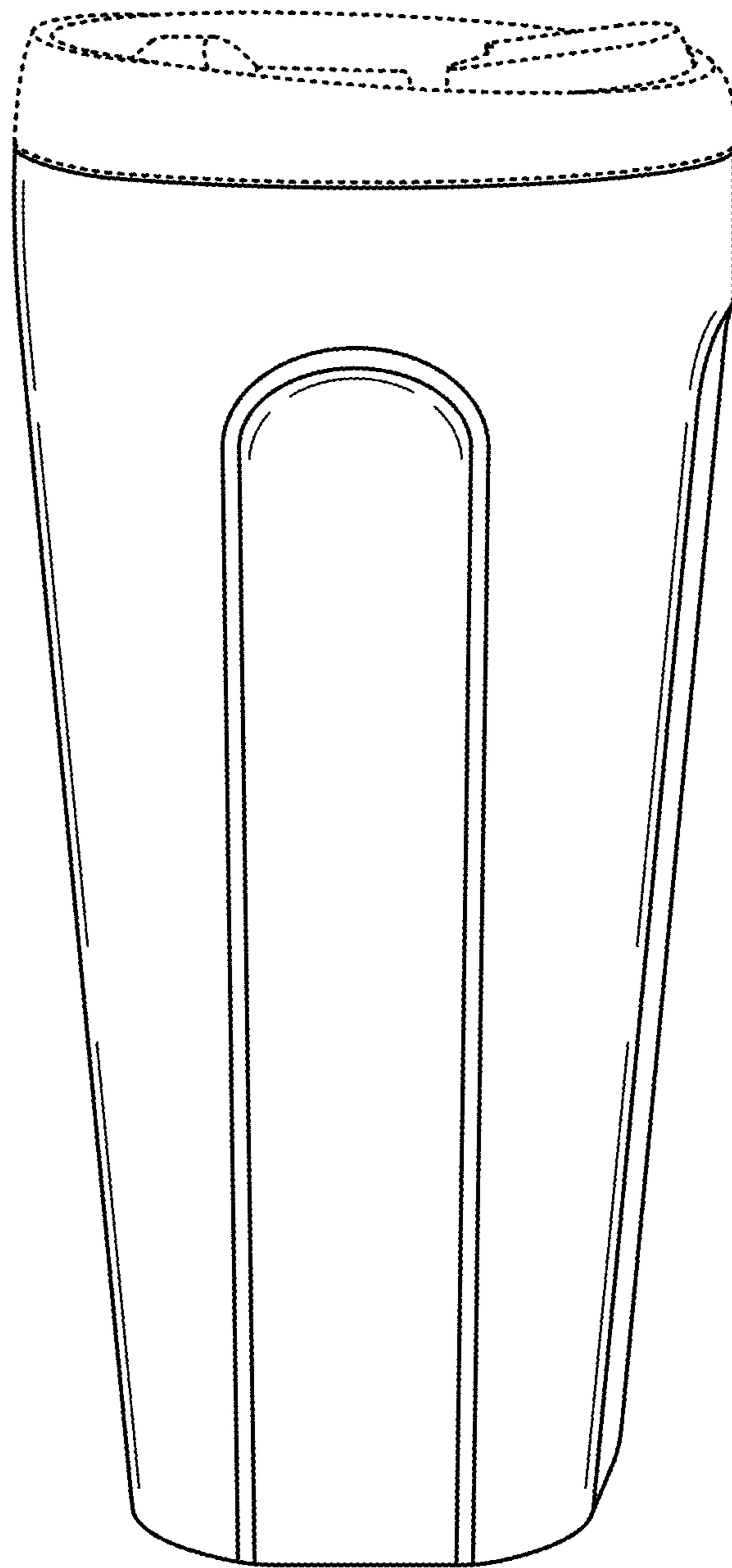


FIG. 1

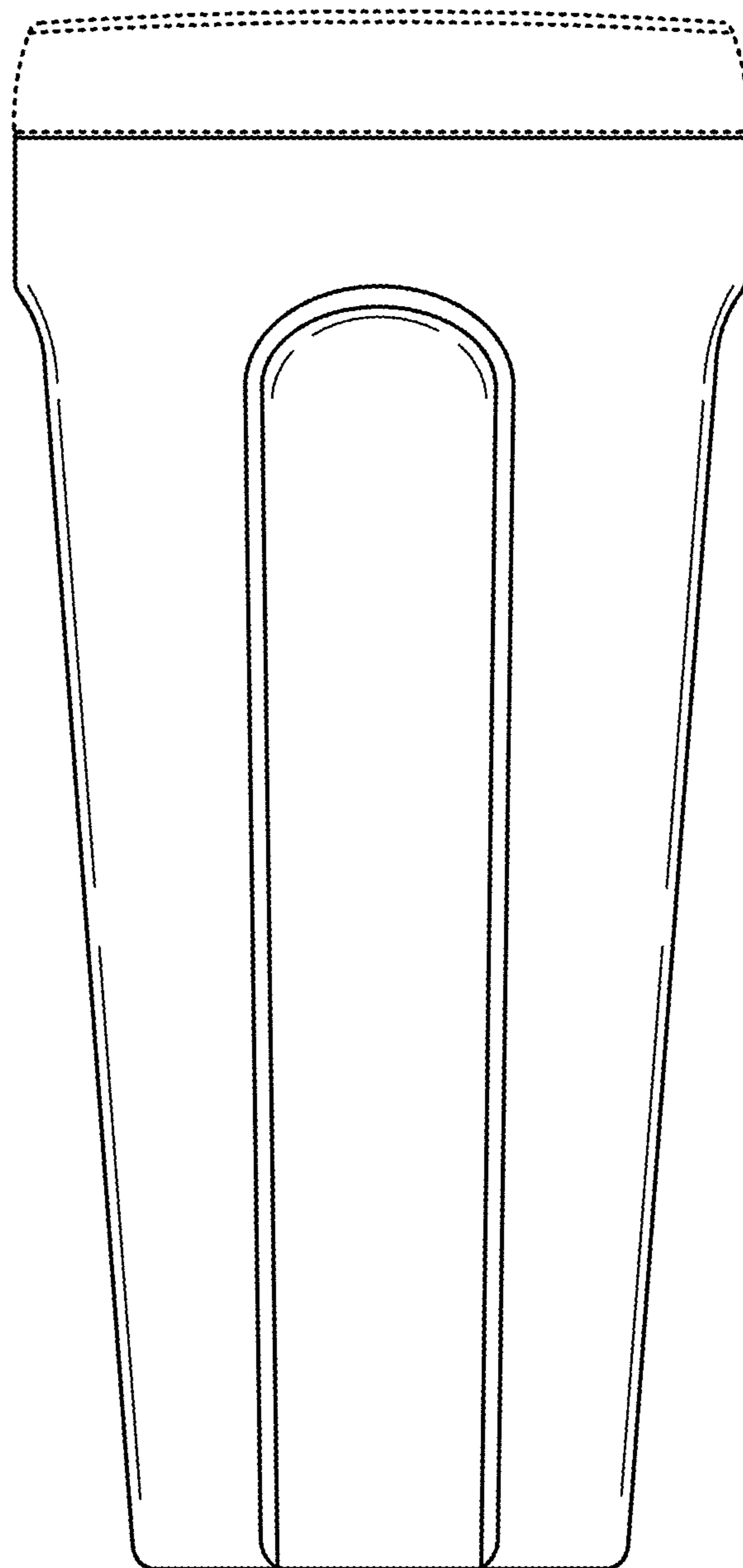


FIG. 2

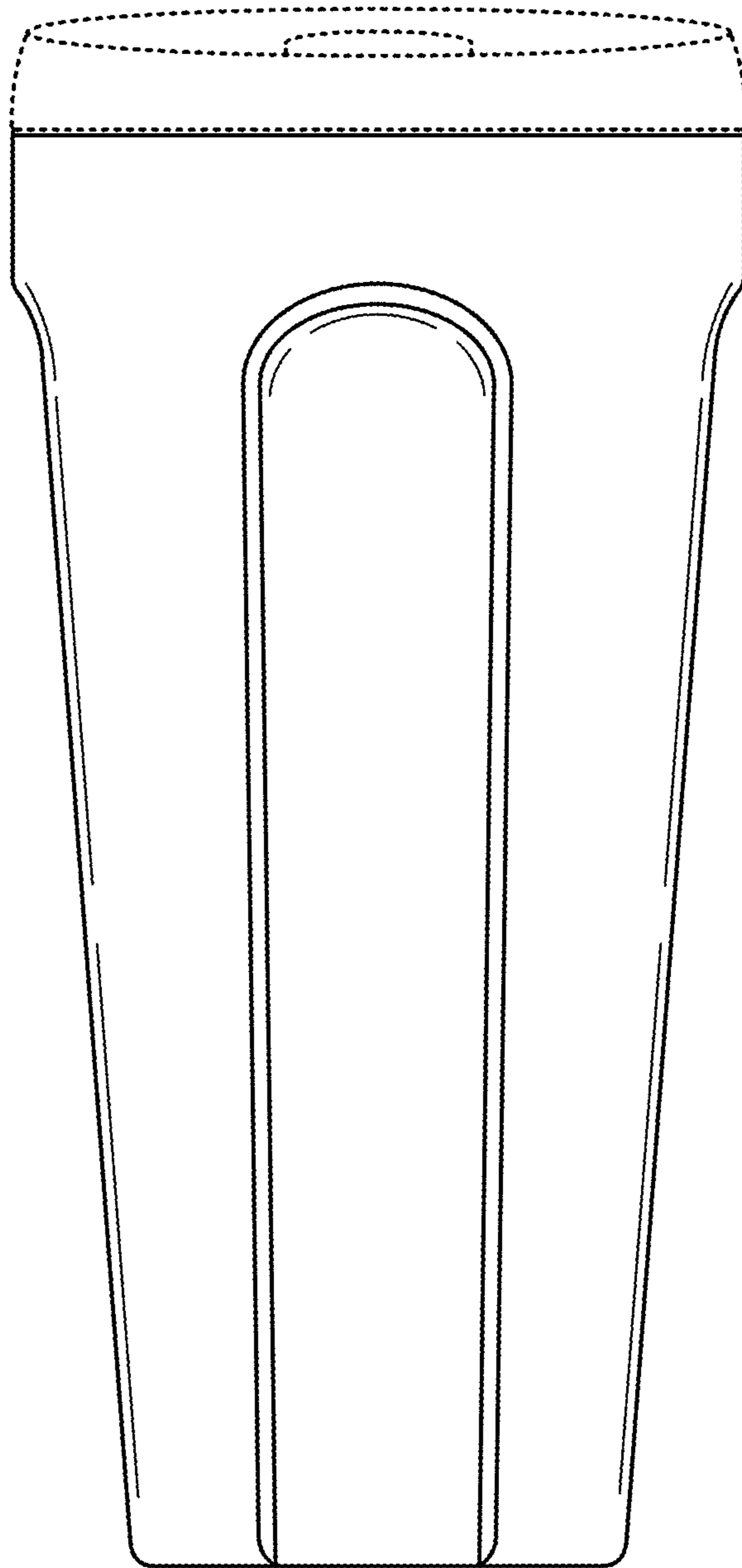


FIG. 3

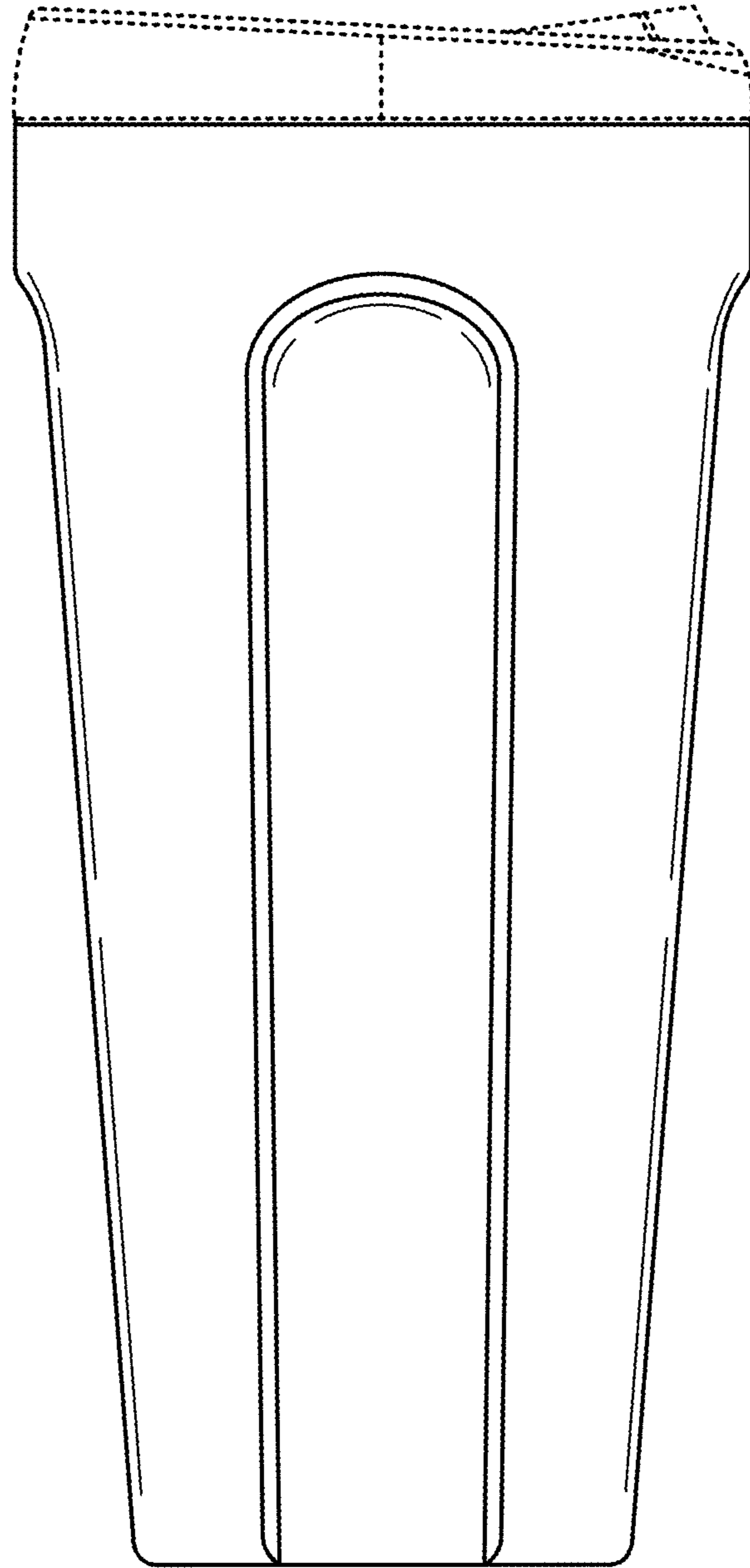


FIG. 4

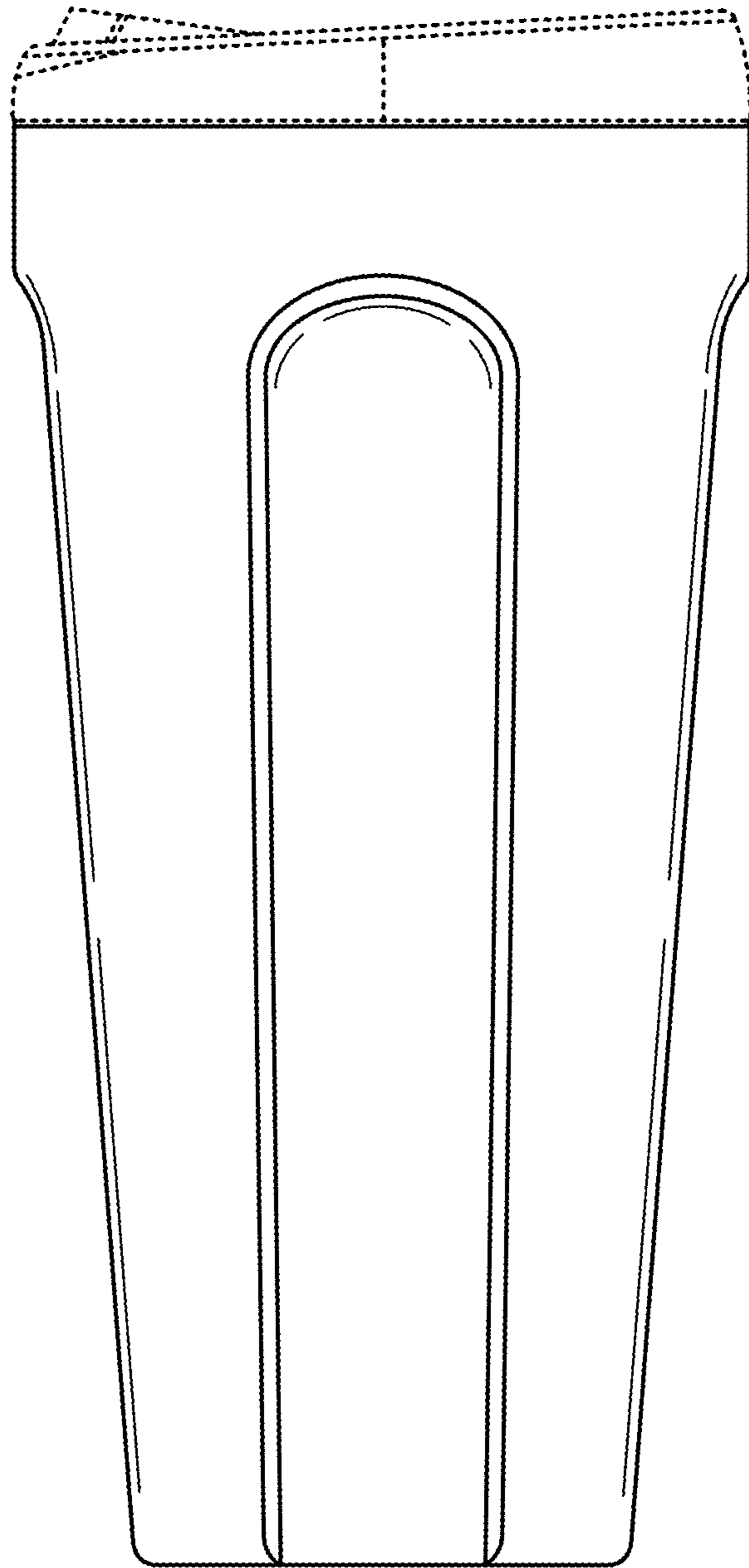


FIG. 5

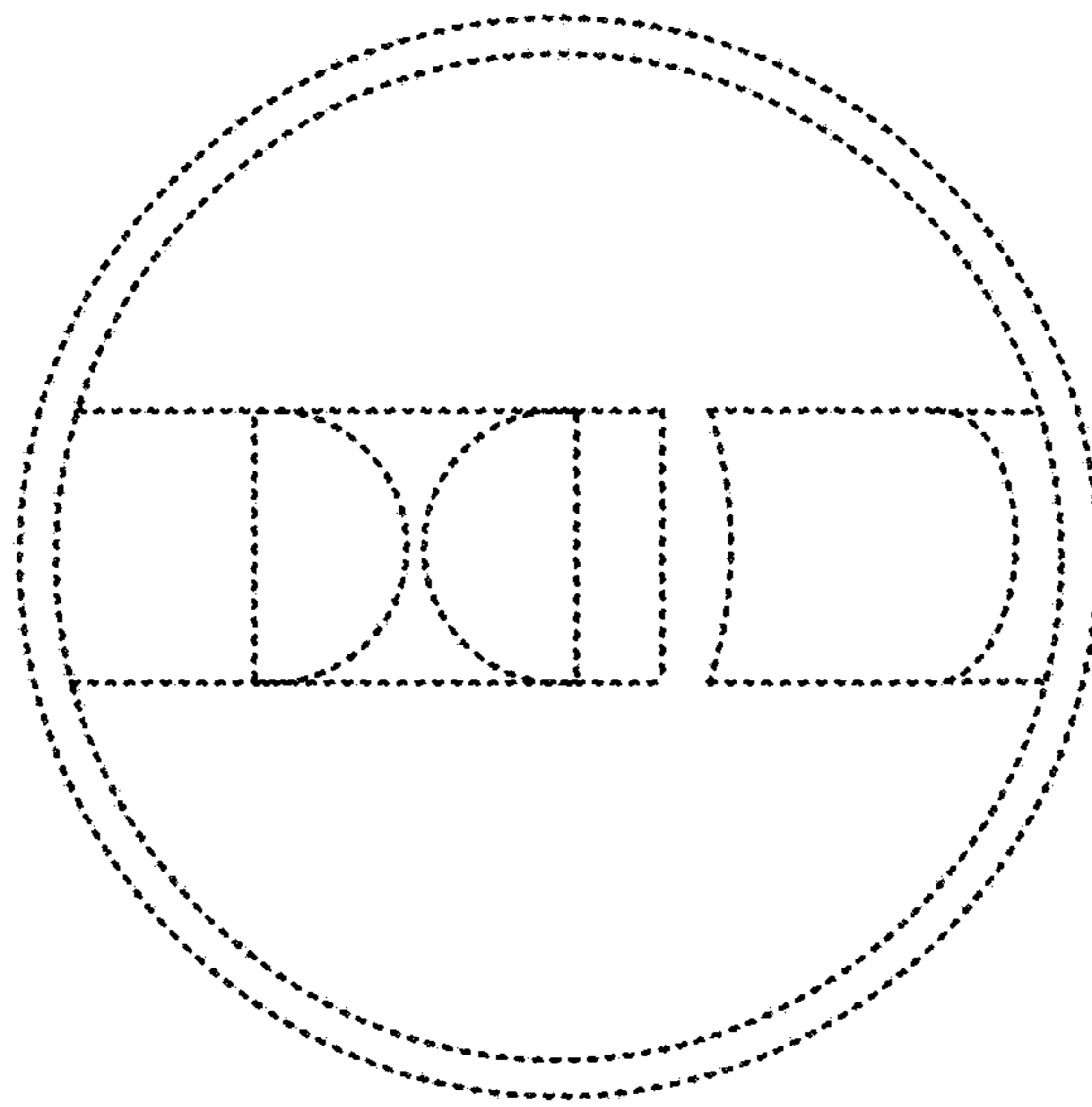


FIG. 6

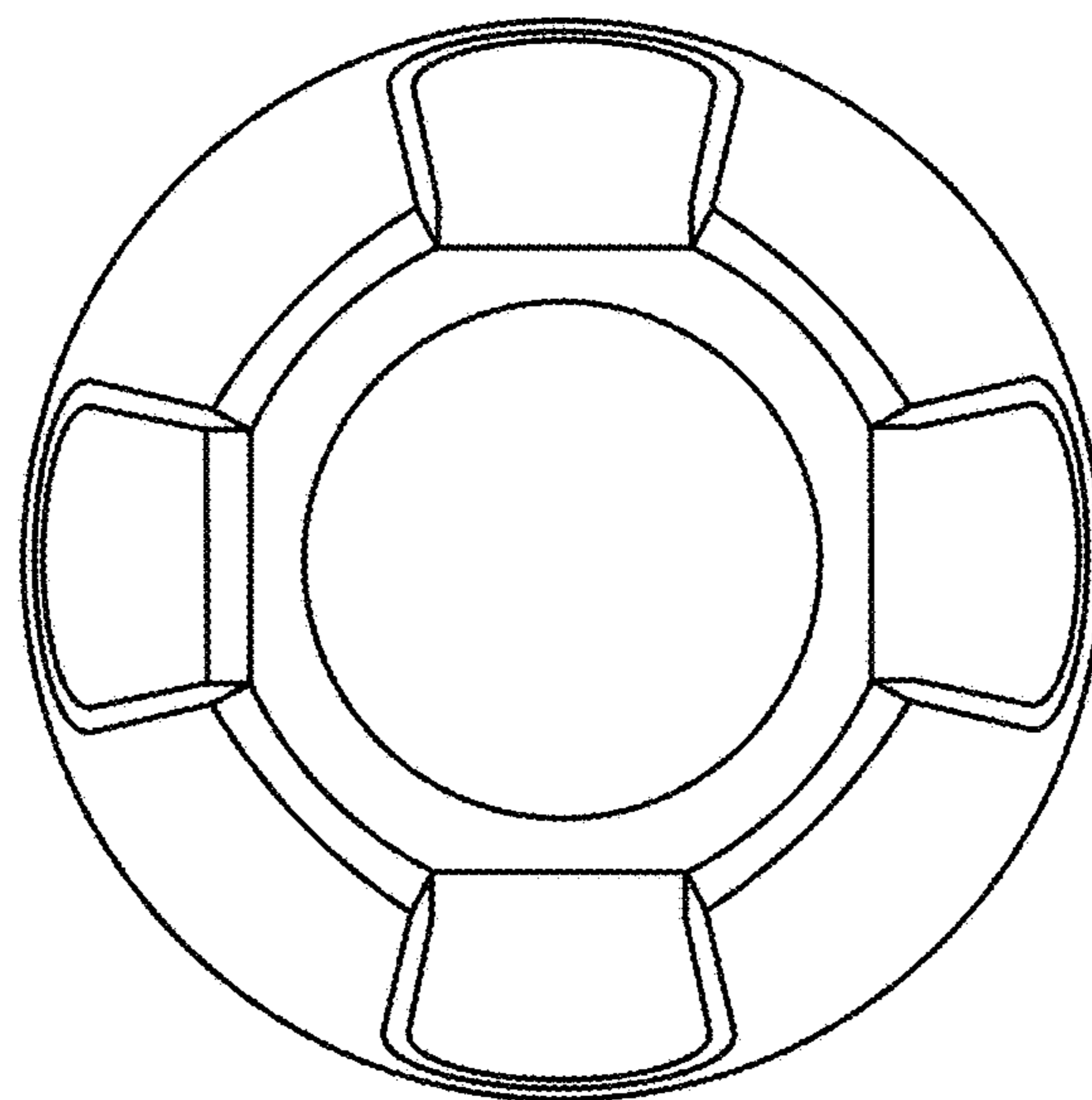


FIG. 7