



US00D830125S

(12) **United States Design Patent** (10) **Patent No.:** **US D830,125 S**
Wu (45) **Date of Patent:** **** Oct. 9, 2018**

- (54) **BOTTLE WITH SOLAR POWER**
- (71) Applicant: **WENZHOU SHENGBO TECHNOLOGY CO., LTD.**,
Wenzhou, Zhejiang (CN)
- (72) Inventor: **Jianjun Wu**, Zhejiang (CN)
- (73) Assignee: **WENZHOU SHENGBO TECHNOLOGY CO., LTD.**,
Wenzhou, Zhejiang (CN)
- (**) Term: **15 Years**
- (21) Appl. No.: **29/580,168**
- (22) Filed: **Oct. 6, 2016**
- (51) **LOC (11) Cl.** **07-01**
- (52) **U.S. Cl.**
USPC **D7/507; D7/533; D7/511; D13/102;**
D3/202
- (58) **Field of Classification Search**
USPC **D7/392.1, 396.2, 387, 396.3, 388, 900,**
D7/507, 555, 510, 511, 533, 536, 397,
D7/398, 396.1; D9/436, 434, 435, 454;
220/200, 703; D8/382, 395, 396, 394;
D3/202; D13/102
CPC **B65D 41/56; B65D 43/02; B65D 1/265;**
A47G 19/2216; A47G 19/22; A47G
19/2222
See application file for complete search history.

- (56) **References Cited**
U.S. PATENT DOCUMENTS
7,485,166 B2 * 2/2009 Safuto A61L 9/16
220/200
D620,753 S * 8/2010 Lane D7/510

- D663,165 S * 7/2012 Manska D7/507
- D717,116 S * 11/2014 Aslan D24/197
- D744,281 S * 12/2015 Dunn A47G 19/2272
D7/510
- D783,358 S * 4/2017 Schlegel D7/510
- D797,511 S * 9/2017 Specht D7/523
- D806,475 S * 1/2018 Pisarevsky D7/507
- D810,512 S * 2/2018 Wu D7/512
- 2015/0344177 A1 * 12/2015 Kick B65D 85/72
206/505

* cited by examiner

Primary Examiner — Marianne N Pandozzi
Assistant Examiner — Jae Liang
(74) *Attorney, Agent, or Firm* — Christensen, Fonder,
Dardi & Herbert PLLC

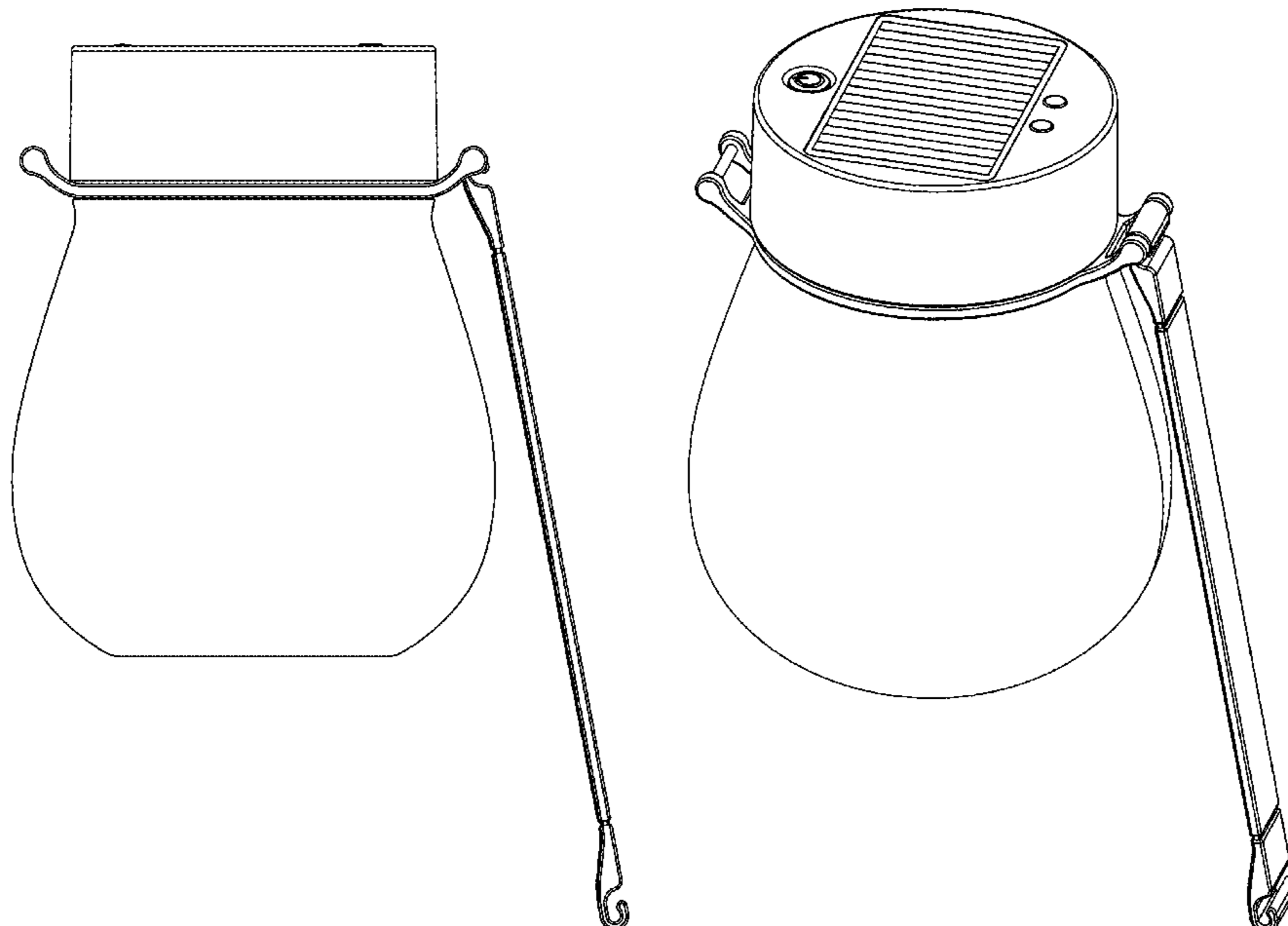
(57) **CLAIM**

The ornamental design for a bottle with solar power, as shown and described.

DESCRIPTION

FIG. 1 is a front view of a bottle with solar power showing my new design;
FIG. 2 is a rear view of the bottle with solar power of FIG. 1;
FIG. 3 is a left-side view of the bottle with solar power of FIG. 1;
FIG. 4 is a right-side view of the bottle with solar power of FIG. 1;
FIG. 5 is a bottom view of the bottle with solar power of FIG. 1;
FIG. 6 is a top view of the bottle with solar power of FIG. 1; and,
FIG. 7 is a perspective view of the bottle with solar power of FIG. 1.

1 Claim, 7 Drawing Sheets



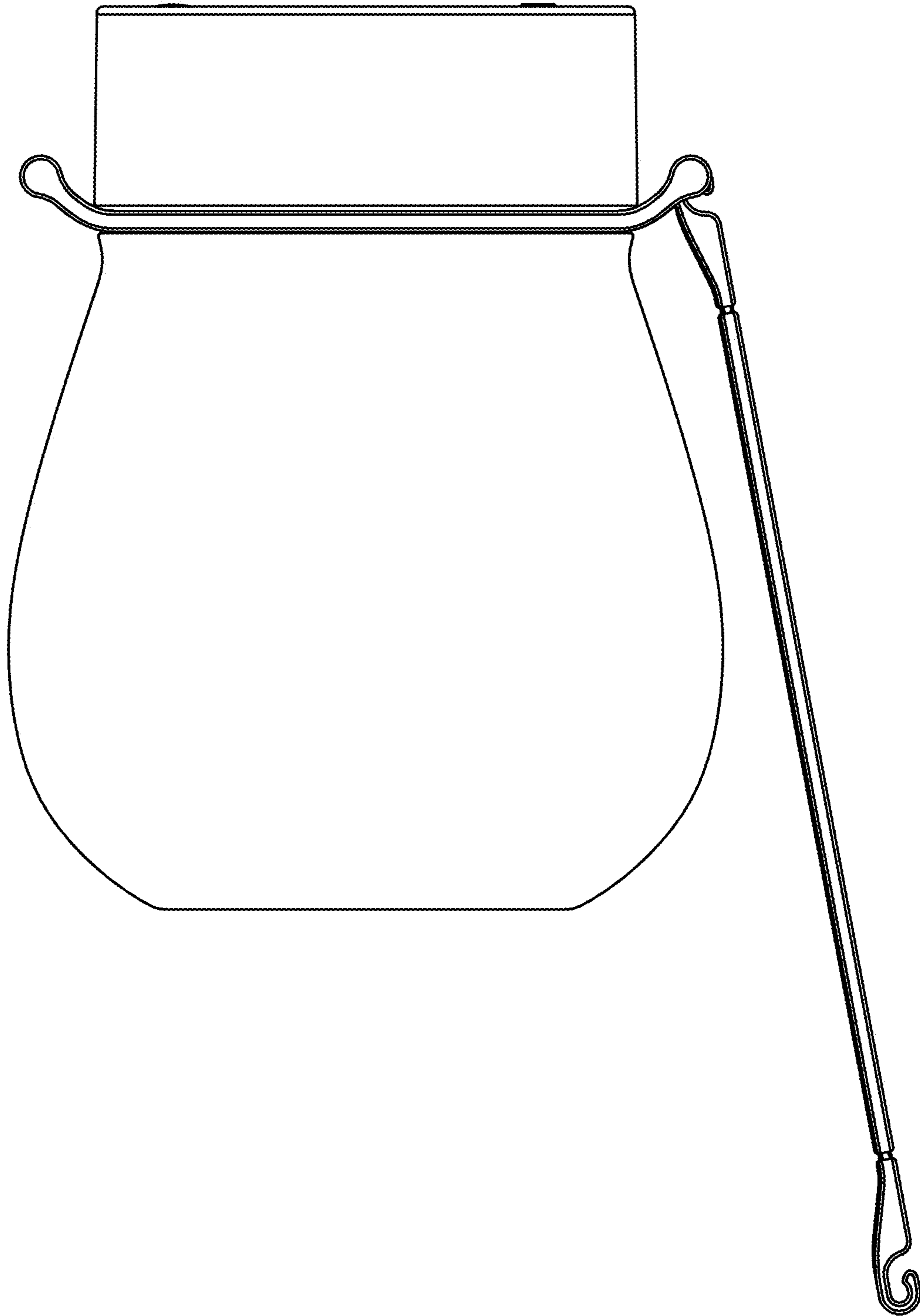


FIG. 1

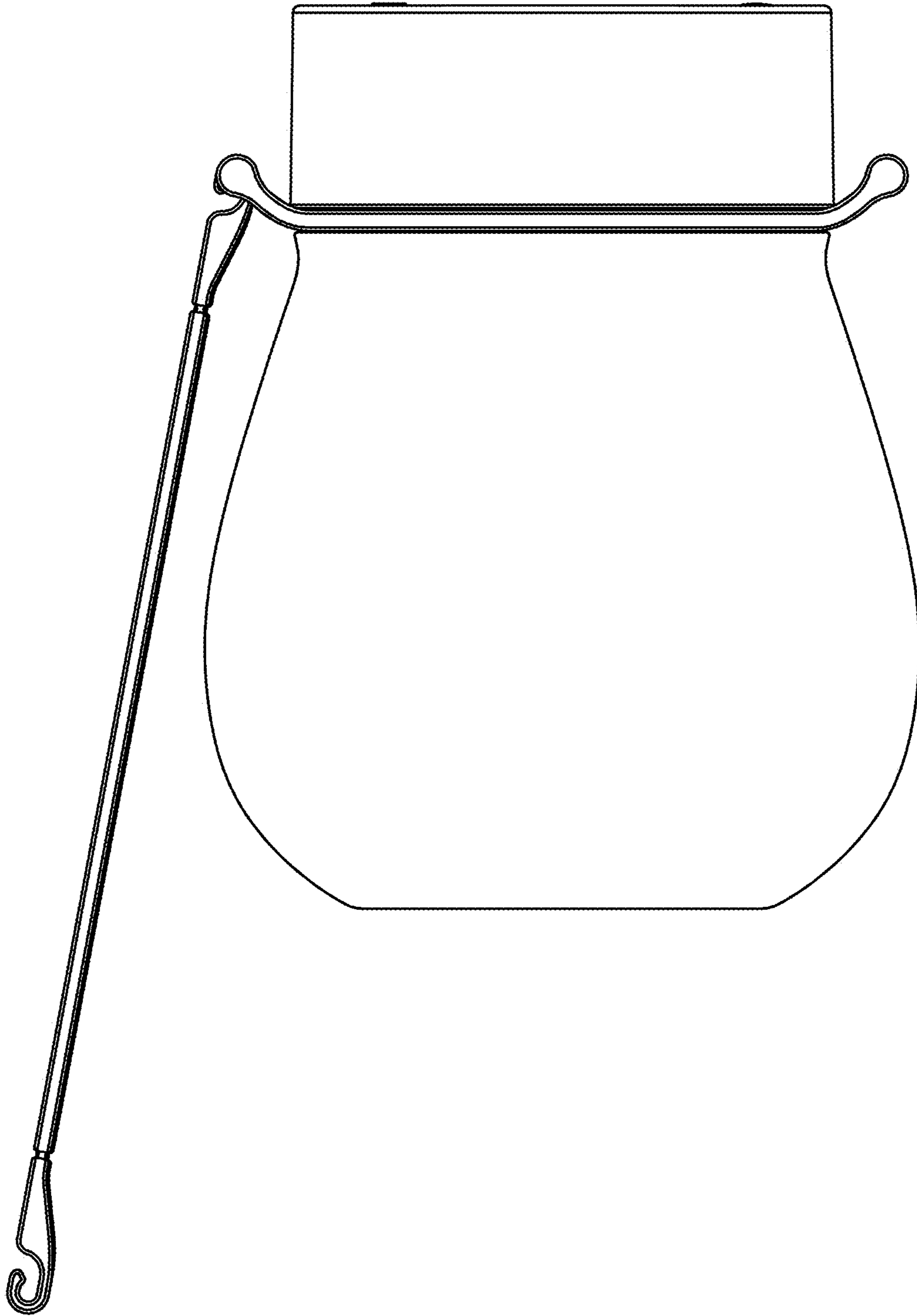


FIG. 2

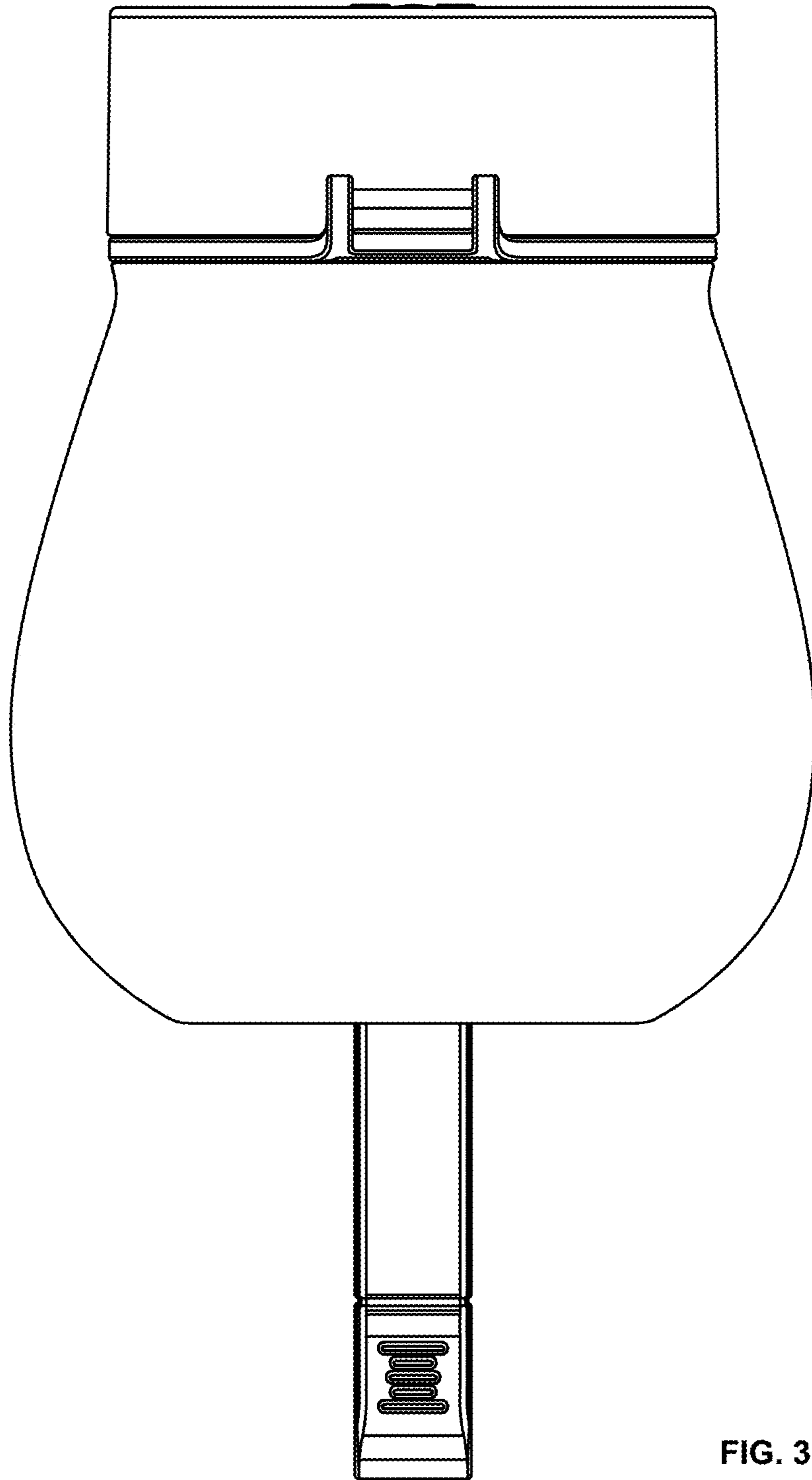


FIG. 3

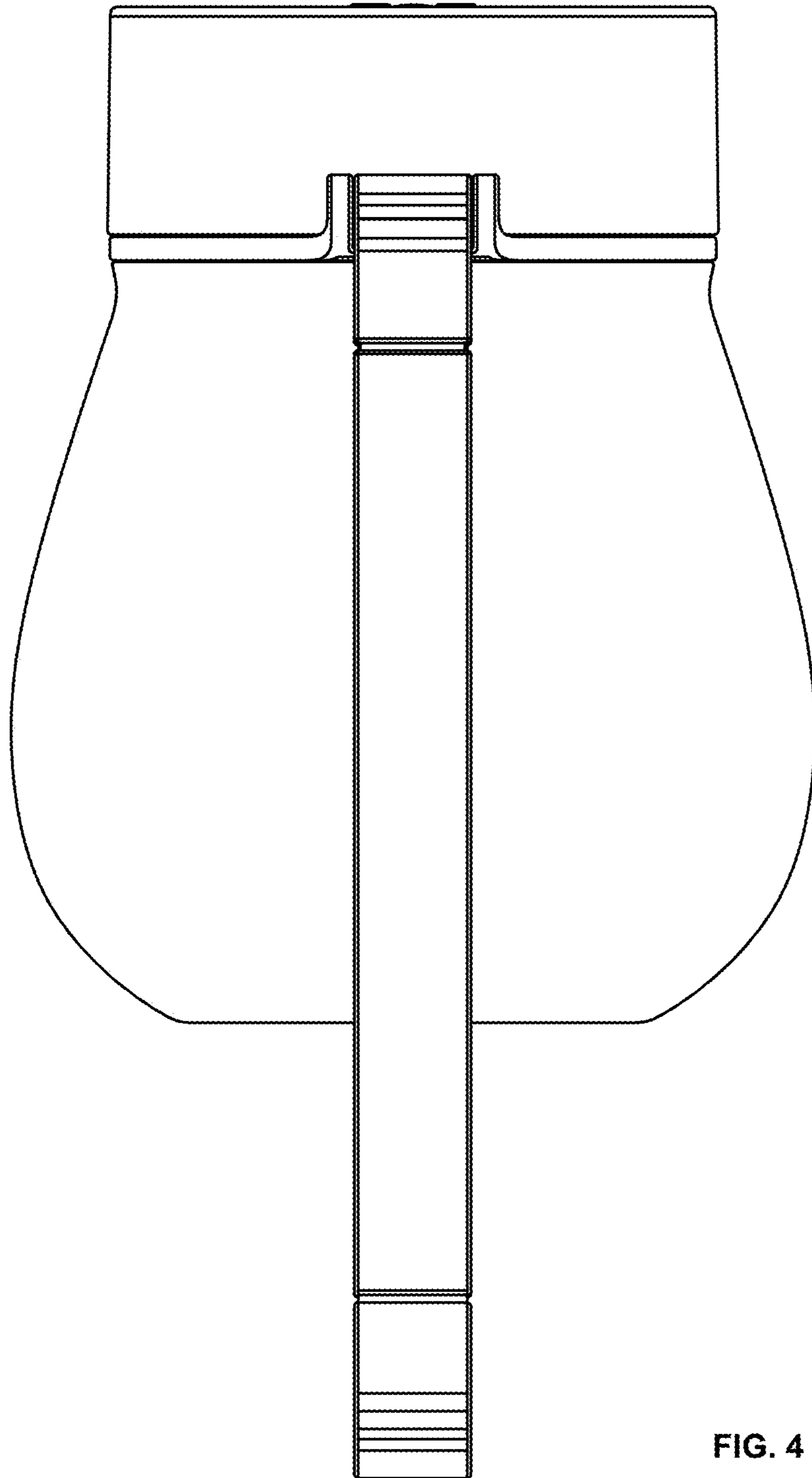


FIG. 4

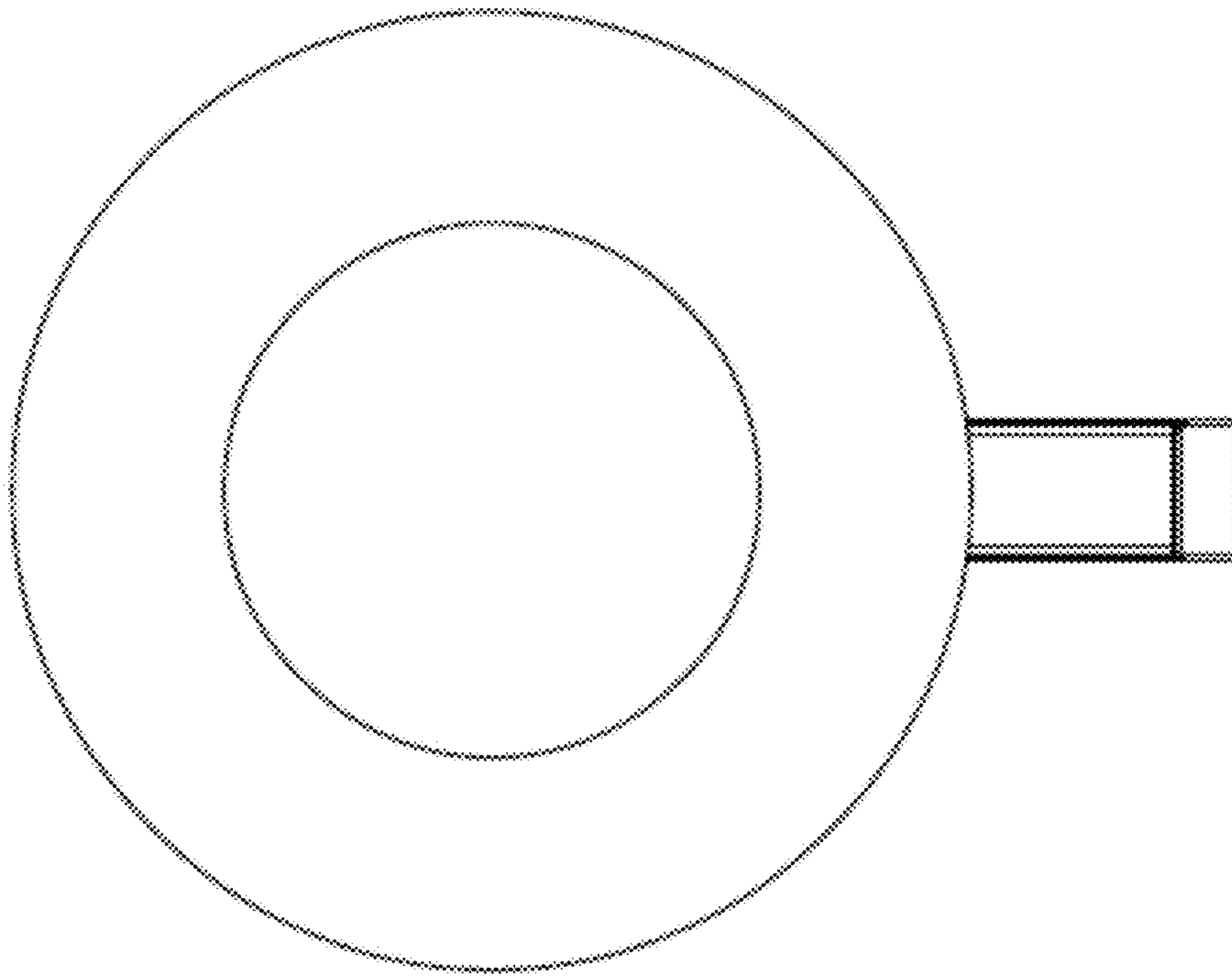


FIG. 5

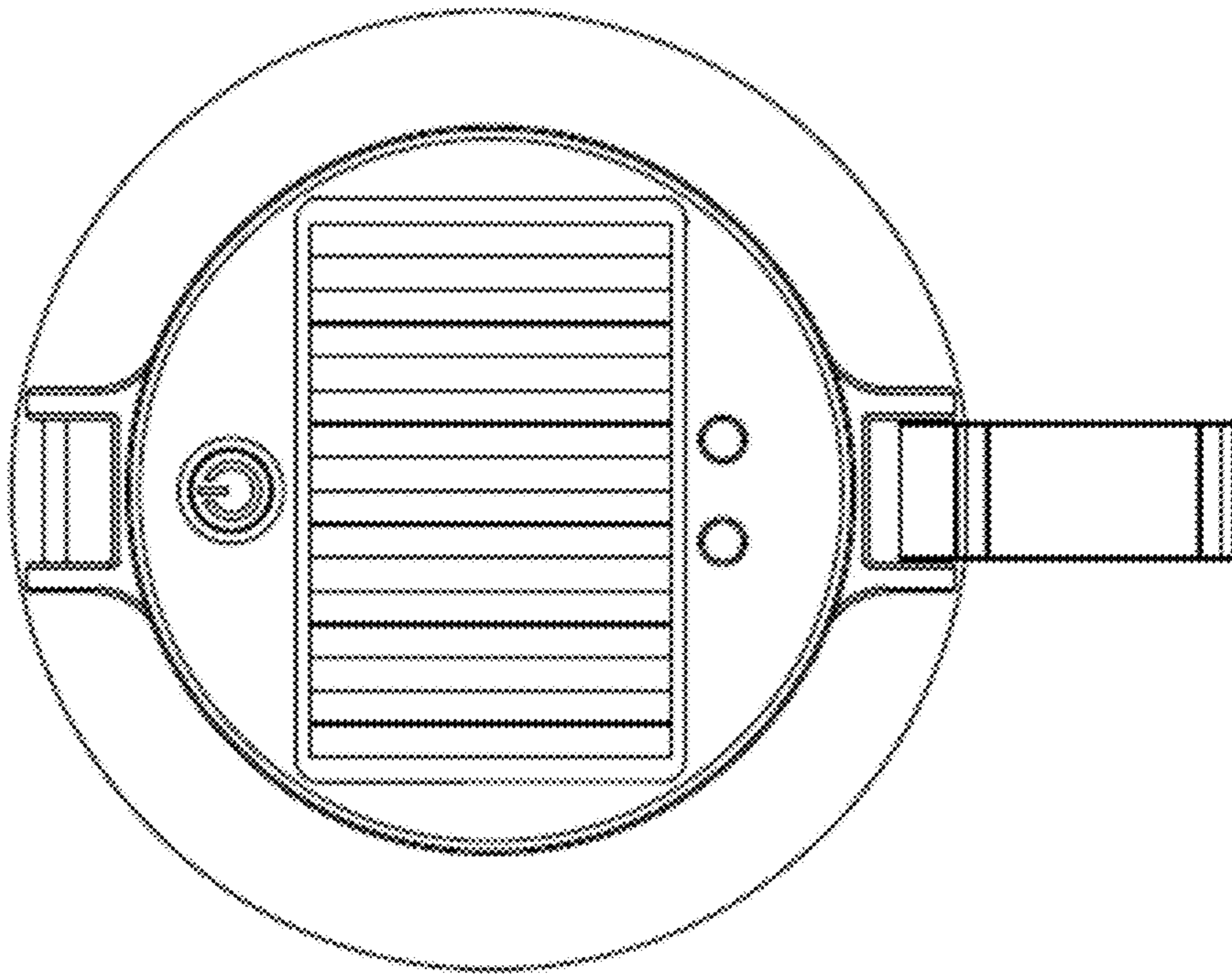


FIG. 6

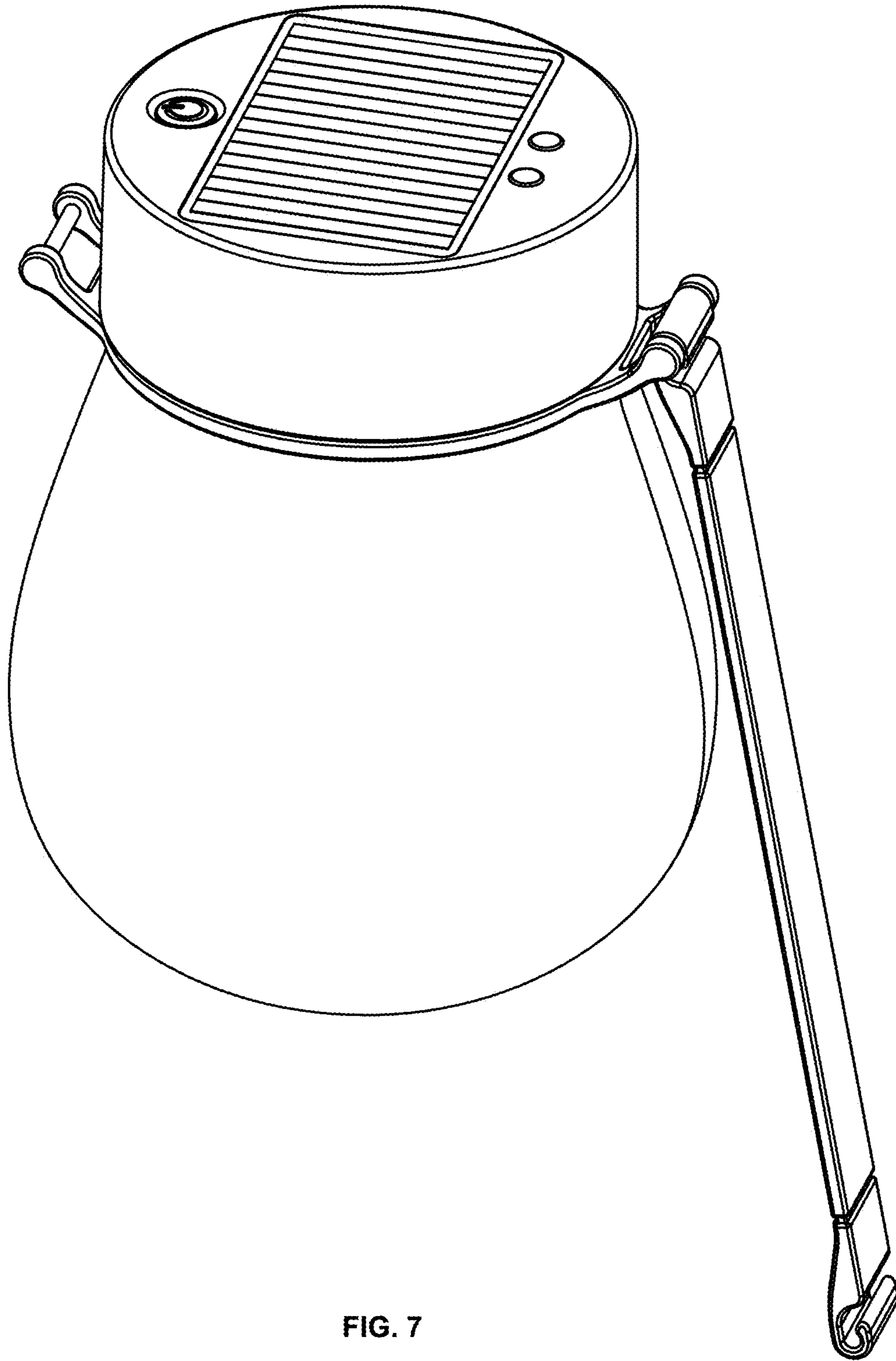


FIG. 7