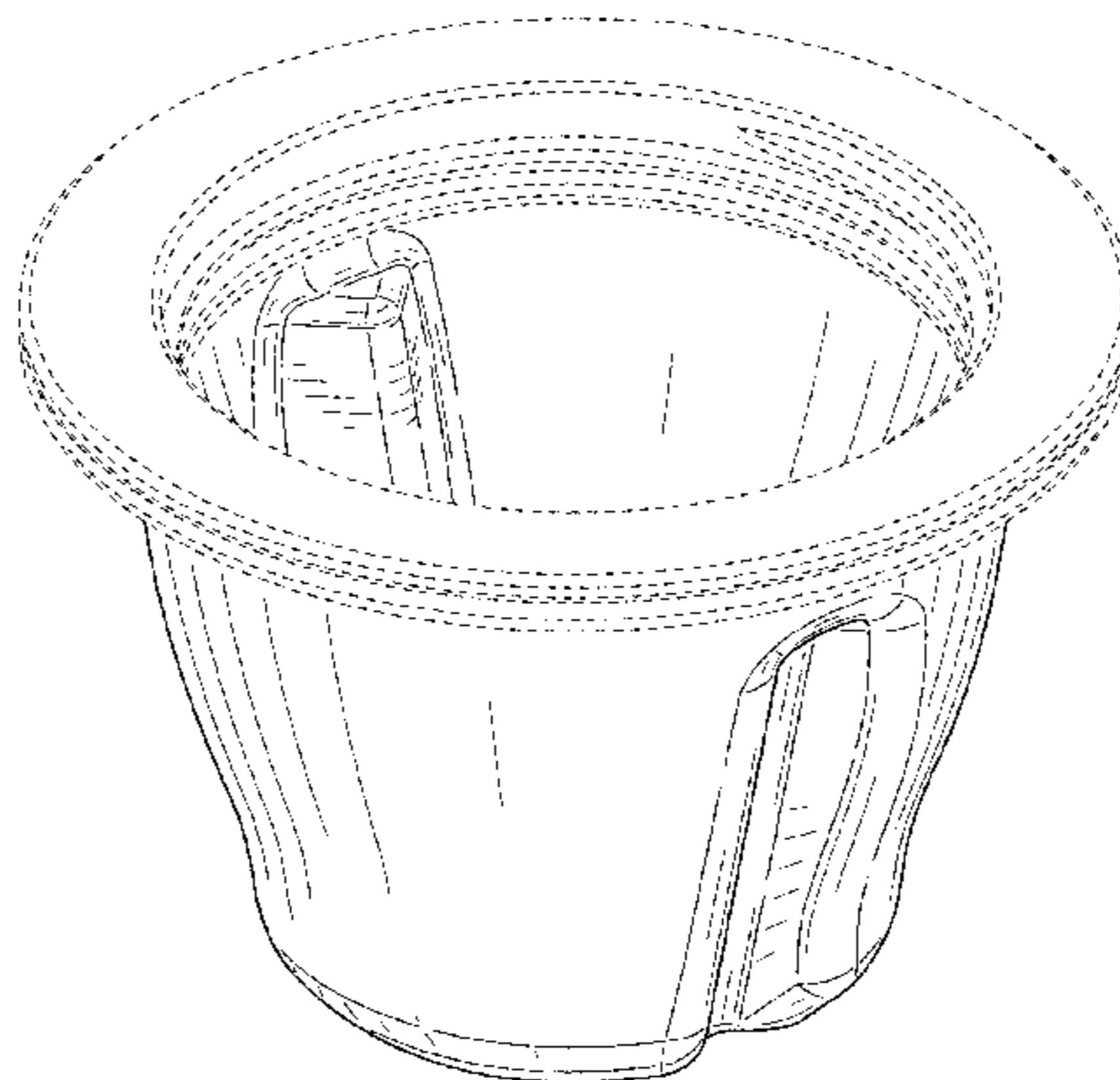




US00D830124S

(12) **United States Design Patent** (10) **Patent No.:** **US D830,124 S**
Krivos et al. (45) **Date of Patent:** **** Oct. 9, 2018**

- (54) **CONTAINER** 298,503 A 5/1884 Rex
400,566 A 4/1889 Harry
(71) Applicant: **VITA-MIX MANAGEMENT** 460,265 A 9/1891 Mulford
CORPORATION, Olmsted Township, 698,755 A 4/1902 Stiehle
OH (US) 742,955 A 11/1903 Augur
747,249 A 12/1903 Smith
796,692 A 8/1905 Scantlin
(72) Inventors: **Brenton Krivos**, Brunswick, OH (US); 937,772 A 10/1909 Cullen
Jack Warren Gee, II, Willoughby, OH 1,139,534 A 5/1915 Klenk
(US); **Eugene J. Kozlowski**, Medina, 1,380,066 A 5/1921 Johnson
OH (US) 2,012,113 A 8/1935 Thompson
2,086,858 A 7/1937 Dunkelberger
(73) Assignee: **VITA-MIX MANAGEMENT** 2,246,054 A 6/1941 Marty
CORPORATION, Olmsted Township, 2,282,866 A 5/1942 Hagen
OH (US) 2,404,915 A 7/1946 McCullough
D163,117 S 5/1951 Hobbs
2,626,078 A 1/1953 Hutchisson
(**) Term: **15 Years** 2,628,081 A 2/1953 Laird
2,711,644 A 6/1955 Myers
(21) Appl. No.: **29/557,026** 2,761,659 A 9/1956 Collura
2,774,576 A 12/1956 Frank
(22) Filed: **Mar. 4, 2016** 2,776,691 A 1/1957 Tupper
D180,096 S 4/1957 Moore
(51) **LOC (11) Cl.** **31-00** 2,798,701 A 7/1957 Francesco
(52) **U.S. Cl.** 2,860,550 A 11/1958 Louis
USPC **D7/413; D7/376; D7/378; D7/386;** 2,897,862 A 8/1959 Malz
D7/412 2,924,349 A 2/1960 Huck
2,942,301 A 6/1960 Price
(58) **Field of Classification Search** 2,954,174 A 9/1960 Polleys
USPC **D7/372, 376-386, 412-413, 587, 602,** 2,955,186 A 10/1960 Ritter
D7/629, 665-666, 669, 679, 693-694; 3,064,949 A 11/1962 Dewenter
D9/428-429 3,082,900 A 3/1963 Goodman
CPC **A21C 1/02; A21C 1/04; A23N 1/00; A23N** D198,303 S 5/1964 Dewenter
1/02; A47J 43/04; A47J 43/25; A47J 3,175,594 A 3/1965 Ivar
43/27; A47J 43/042; A47J 43/044; A47J 3,216,473 A 11/1965 Dewenter
43/046; A47J 43/075; A47J 43/0722; 3,223,486 A 12/1965 Holl
A47J 43/0727; A61C 9/0026; B01F 3/00; D204,117 S 3/1966 Di Sesa
B01F 3/0807; B01F 3/0853; B01F 3,240,246 A 3/1966 Dewenter
13/0059; B01F 13/0064; B02C 1/08; 3,299,226 A 1/1967 Edwards
B02C 2/04; B02C 4/42; B02C 4/142; 3,311,353 A 3/1967 Rogenski
B02C 4/143; B02C 4/423; B02C 13/1835; D207,692 S 5/1967 Dykes
B28C 5/10; B28C 5/12; B28C 5/14; 3,342,425 A 9/1967 Morton
B28C 5/16; B65D 1/265 3,355,045 A 11/1967 David
See application file for complete search history. 3,362,590 A 1/1968 Martin
3,363,820 A 1/1968 Schilling
3,417,972 A 12/1968 Vincent
3,419,196 A 12/1968 Moore
(56) **References Cited** 3,441,173 A 4/1969 Edwards
D217,178 S 4/1970 Crider
U.S. PATENT DOCUMENTS 3,548,280 A 12/1970 Cockroft
D220,416 S 4/1971 Folden
112,477 A 3/1871 Merrill 3,612,126 A 10/1971 Emmons
181,013 A 8/1876 Sawyer 3,627,008 A 12/1971 Samuelian



US D830,124 S

3,731,059 A	5/1973	Wilson		D437,731 S	2/2001	Thackray	
3,738,583 A	6/1973	Berland		6,210,033 B1	4/2001	Karkos, Jr. et al.	
D227,535 S	7/1973	Grimes		D452,296 S	12/2001	Egnell	
D228,698 S	10/1973	Barnard		6,364,522 B2	4/2002	Kolar et al.	
3,812,995 A	5/1974	Lewis		6,390,665 B1	5/2002	Silveria	
D232,297 S	8/1974	Mantelet		D458,723 S	6/2002	Malvasio	
3,841,528 A	10/1974	Eisenberg		6,402,365 B1	6/2002	Wong	
3,873,435 A	3/1975	Ziebarth		6,609,821 B2	8/2003	Wulf et al.	
3,943,421 A	3/1976	Shibata et al.		D480,904 S	10/2003	Backes	
3,951,351 A	4/1976	Emster et al.		D480,915 S	10/2003	Kolar et al.	
3,963,220 A	6/1976	Ohchi		6,632,013 B2	10/2003	Wulf	
D241,228 S	8/1976	Boduch		6,705,484 B2	3/2004	Schäfer	
4,003,555 A	1/1977	Swartz		6,715,706 B1	4/2004	Planca	
4,087,053 A	5/1978	Voglesonger		D491,019 S	6/2004	Marsden	
D257,315 S	10/1980	Keon		D495,925 S	9/2004	Ulanski	
D259,133 S	5/1981	Klawitter		6,811,303 B2	11/2004	Dickson	
4,561,782 A	12/1985	Jacobsen		6,854,876 B2	2/2005	Dickson	
4,568,193 A	2/1986	Contri et al.		D508,187 S *	8/2005	Dais	D7/602
D282,896 S *	3/1986	Conti	D7/614	D508,188 S *	8/2005	Zettle	D7/615
D286,726 S *	11/1986	Daenen	D7/587	6,959,562 B2	11/2005	Navedo et al.	
D287,324 S	12/1986	Schmidt		6,979,117 B2	12/2005	Dickson	
4,655,373 A	4/1987	Essen		D514,458 S	2/2006	Lawson	
4,660,733 A	4/1987	Snyder		D514,868 S	2/2006	Achenbach	
4,664,530 A	5/1987	Kurome		D521,316 S	5/2006	Katz	
4,671,452 A	6/1987	Pupp		7,047,872 B2	5/2006	Mulle	
4,686,356 A	8/1987	Ueda et al.		7,063,456 B2	6/2006	Miller	
D291,659 S	9/1987	Powell		D525,080 S	7/2006	Katz	
4,762,057 A	8/1988	Hirota et al.		D526,839 S	8/2006	Boozer	
4,822,172 A	4/1989	Stottmann		D527,575 S	9/2006	Ulanski	
4,891,966 A	1/1990	Kramer		D527,588 S *	9/2006	de Groote	D7/629
4,893,942 A	1/1990	Stottmann		D528,363 S	9/2006	Ulanski	
4,911,557 A	3/1990	Dormer		7,267,478 B2	9/2007	Miller	
D309,077 S	7/1990	Pomroy		D552,916 S	10/2007	Bodum	
4,968,864 A	11/1990	Doi et al.		7,275,666 B2	10/2007	Rukavina	
4,981,365 A	1/1991	Bow		7,281,842 B2	10/2007	Dickson	
5,156,867 A	10/1992	Leuthold et al.		7,350,963 B2	4/2008	Williams	
D335,382 S	5/1993	O'brien		7,357,273 B1	4/2008	Lutz	
D336,590 S	6/1993	Barnard		D568,156 S	5/2008	Wilson	
5,219,419 A	6/1993	Prothe		D577,545 S	9/2008	Ulanski	
5,226,558 A	7/1993	Whitney		7,422,362 B2	9/2008	Sands	
5,267,211 A	11/1993	Kobayashi et al.		D587,526 S	3/2009	Barnard et al.	
5,267,790 A	12/1993	Sutherland et al.		D588,406 S	3/2009	Ulanski et al.	
5,287,980 A	2/1994	Saltz		7,520,659 B2	4/2009	Wulf	
5,316,382 A	5/1994	Penaranda et al.		D597,380 S	8/2009	Epstein	
5,323,973 A	6/1994	Ferrara		7,632,007 B2	12/2009	Wulf	
5,332,115 A	7/1994	Schafer		7,648,264 B2	1/2010	Breviere	
D350,451 S	9/1994	Dickson		D611,384 S	3/2010	Biegel	
5,347,205 A	9/1994	Piland		D621,656 S	8/2010	Ulanski et al.	
5,360,176 A	11/1994	Mugge		D637,862 S	5/2011	Fouquet	
5,363,746 A	11/1994	Gordon		7,975,868 B1	7/2011	Flies	
5,392,695 A	2/1995	Junkel		D645,340 S	9/2011	Menard	
5,397,022 A	3/1995	Schafer		D655,133 S	3/2012	Brinckerhoff	
5,487,511 A	1/1996	Sansone		D661,947 S	6/2012	Conti	
5,531,153 A	7/1996	Maruyama et al.		D662,359 S	6/2012	Boozer et al.	
5,551,594 A	9/1996	Schafer		D664,808 S	8/2012	Dickson	
5,556,198 A	9/1996	Dickson, Jr. et al.		D672,617 S *	12/2012	Stamper	D7/602
5,562,020 A	10/1996	Shigeshiro		D673,010 S *	12/2012	Stamper	D7/602
5,577,735 A	11/1996	Reed et al.		D678,727 S	3/2013	Kolar et al.	
5,589,119 A	12/1996	Hetherington		D685,263 S	7/2013	Danenberg	
5,605,090 A	2/1997	Mantani et al.		8,529,120 B2	9/2013	Ulanski et al.	
5,616,083 A	4/1997	Subbaraman		D698,649 S	2/2014	Quint	
5,660,467 A	8/1997	Mineo et al.		D705,064 S	5/2014	Sy	
5,660,468 A	8/1997	Okajima		D705,606 S	5/2014	Coakley	
5,678,726 A *	10/1997	Porteous	A61C 9/0026 220/661	D708,903 S *	7/2014	Wong	D7/378
				D711,192 S	8/2014	Picozza	
5,738,240 A	4/1998	Vavra		8,814,011 B2	8/2014	Ulanski et al.	
5,768,978 A	6/1998	Dorner et al.		D738,670 S	9/2015	Sands	
5,823,382 A	10/1998	Van Giezen		D742,172 S	11/2015	Dickson	
5,829,341 A	11/1998	Lin		D753,482 S *	4/2016	Serrano	D9/428
5,839,356 A	11/1998	Dornbush et al.		D753,954 S	4/2016	Schreiber	
5,888,565 A	3/1999	Gics		D756,771 S	5/2016	Covey	
5,957,577 A	9/1999	Dickson		9,370,280 B2	6/2016	Conti	
5,958,484 A	9/1999	Gics		D777,515 S	1/2017	Potter	
5,967,021 A	10/1999	Yung		D782,247 S	3/2017	Kim	
6,065,861 A	5/2000	Chen		D783,354 S	4/2017	Smith	
D429,956 S	8/2000	Bohannon		D783,355 S	4/2017	Tu	
6,116,469 A	9/2000	Wallays		D783,356 S	4/2017	Kim	
D435,192 S	12/2000	Bohannon		D793,227 S *	8/2017	Maskell	D7/602
D437,192 S	2/2001	Verherbrugghen		D798,109 S *	9/2017	Ulanski	D7/376

2002/0009017	A1	1/2002	Kolar et al.	JP	401310616	12/1989
2002/0141286	A1	10/2002	Wulf	JP	403193013	8/1991
2002/0176320	A1	11/2002	Wulf et al.	JP	404017820	1/1992
2003/0121189	A1	7/2003	Williams	JP	406178734	6/1994
2003/0147234	A1	8/2003	Harada	JP	H0937970	2/1997
2003/0213373	A1	11/2003	Dickson	JP	2002-210287	7/2002
2003/0214875	A1	11/2003	Dickson	JP	2005-04014 7	2/2005
2004/0011798	A1	1/2004	Dubois	KR	10-1995-0003546	2/1995
2004/0100862	A1	5/2004	Arroubi	KR	20-1999-0001638	1/1999
2004/0203387	A1	10/2004	Grannan	KR	10-2001-0073392	8/2001
2005/0018534	A1	1/2005	Nikkah	KR	10-2013-0085276	7/2013
2005/0061821	A1*	3/2005	Smith	WO	WO9615706	5/1996
			B65D 1/265	WO	WO03001954	1/2003
			220/675	WO	WO2005031952	4/2005
2005/0099884	A1	5/2005	Lee	WO	WO2006104651	10/2006
2005/0133514	A1	6/2005	Schutz	WO	WO2006124051	11/2006
2005/0229795	A1	10/2005	Stuckey	WO	WO2007061967	5/2007
2005/0258197	A1	11/2005	Rukavina			
2006/0086843	A1	4/2006	Lin et al.			
2006/0108372	A1	5/2006	Aiken			
2006/0169715	A1	8/2006	Emmendorfer et al.			
2006/0176765	A1	8/2006	Pryor			
2006/0203610	A1	9/2006	Bohannon, Jr. et al.			
2006/0214765	A1	9/2006	Pitchers et al.			
2006/0261066	A1	11/2006	Boozer			
2007/0165484	A1	7/2007	Branson			
2007/0210194	A1	9/2007	Carnevale			
2007/0221668	A1	9/2007	Baarman et al.			
2008/0170465	A1	7/2008	Bohannon			
2009/0032551	A1	2/2009	Mcginley			
2009/0045229	A1	2/2009	Mcginley			
2009/0078594	A1	3/2009	Lookholder			
2009/0129200	A1	5/2009	Breviere			
2009/0238034	A1	9/2009	Ulanski			
2011/0046786	A1	2/2011	Wulf			
2011/0189358	A1	8/2011	Herbert			
2011/0199852	A1	8/2011	Martin			
2011/0210195	A1	9/2011	Garcia			
2011/0240624	A1	10/2011	Zhang			
2011/0248108	A1	10/2011	Carriere			
2012/0206995	A1	8/2012	Wu			
2013/0074706	A1	3/2013	Fevre			
2013/0153572	A1	6/2013	Gillette			
2013/0192477	A1	8/2013	Hoare			
2014/0144804	A1	5/2014	Roodnat			
2014/0233344	A1	8/2014	Aliberti			
2014/0247686	A1	9/2014	Arnett			
2015/0008255	A1	1/2015	Lin			
2015/0044344	A1	2/2015	Choi			
2015/0258514	A1	9/2015	Boozer			
2015/0265983	A1	9/2015	Fleming et al.			
2015/0272394	A1	10/2015	Lin			
2015/0366385	A1	12/2015	Wang			
2017/0224169	A1	8/2017	Kolar			
2017/0274332	A1	9/2017	Gandhi			
2017/0283149	A1	10/2017	Rhue			

FOREIGN PATENT DOCUMENTS

CN	200939970	8/2007
CN	200973620	11/2007
CN	101194807	6/2008
CN	201899991	7/2011
CN	202312540	7/2012
DE	19539382	1/1997
EP	0963726	12/1999
FR	2585676	2/1987
GB	3013649	7/2003
GB	2398733	9/2004
JP	401145030	6/1989
JP	H1145031	6/1989

OTHER PUBLICATIONS

Copenheaver, Blaine, International Search Report and Written Opinion, PCT/US2014/029134, dated Aug. 1, 2014, International Search Authority/USA.

Young, Lee W., International Search Report and Written Opinion, PCT/US2014/029384, dated Aug. 11, 2014, International Search Authority/USA.

Gaggia Espanola, S.A., ipanerma, brochure, undated.

Gaggia Espanola, S.A., Copacabana, brochure, undated.

Gaggia Espanola, S.A., ipanema Space-Saving High Technology, brochure, undated.

Young, Lee, International Search Report and Written Opinion, PCT/US2015/020769, dated Jun. 17, 2015, ISA/US, Alexandria, Virginia.

International Search Report for PCT/US2015/021663 dated Jun. 25, 2015.

Annex to Form PCT/ISA/206 Communication Relating to the Results of the Partial International Search (International Application No. PCT/US2009/001077—1 page from communication dated Jun. 29, 2009).

* cited by examiner

Primary Examiner — Ricky Pham

(74) Attorney, Agent, or Firm — McDonald Hopkins LLC

(57) CLAIM

The ornamental design for a container, as shown and described.

DESCRIPTION

FIG. 1 is a perspective view of a container showing our new design;

FIG. 2 is a front side view thereof;

FIG. 3 is a back side view thereof;

FIG. 4 is a first side view thereof;

FIG. 5 is a second side view thereof;

FIG. 6 is a top view thereof; and,

FIG. 7 is a bottom view thereof.

The broken lines shown in the drawings are for illustrative purposes only and form no part of the claimed design.

1 Claim, 3 Drawing Sheets

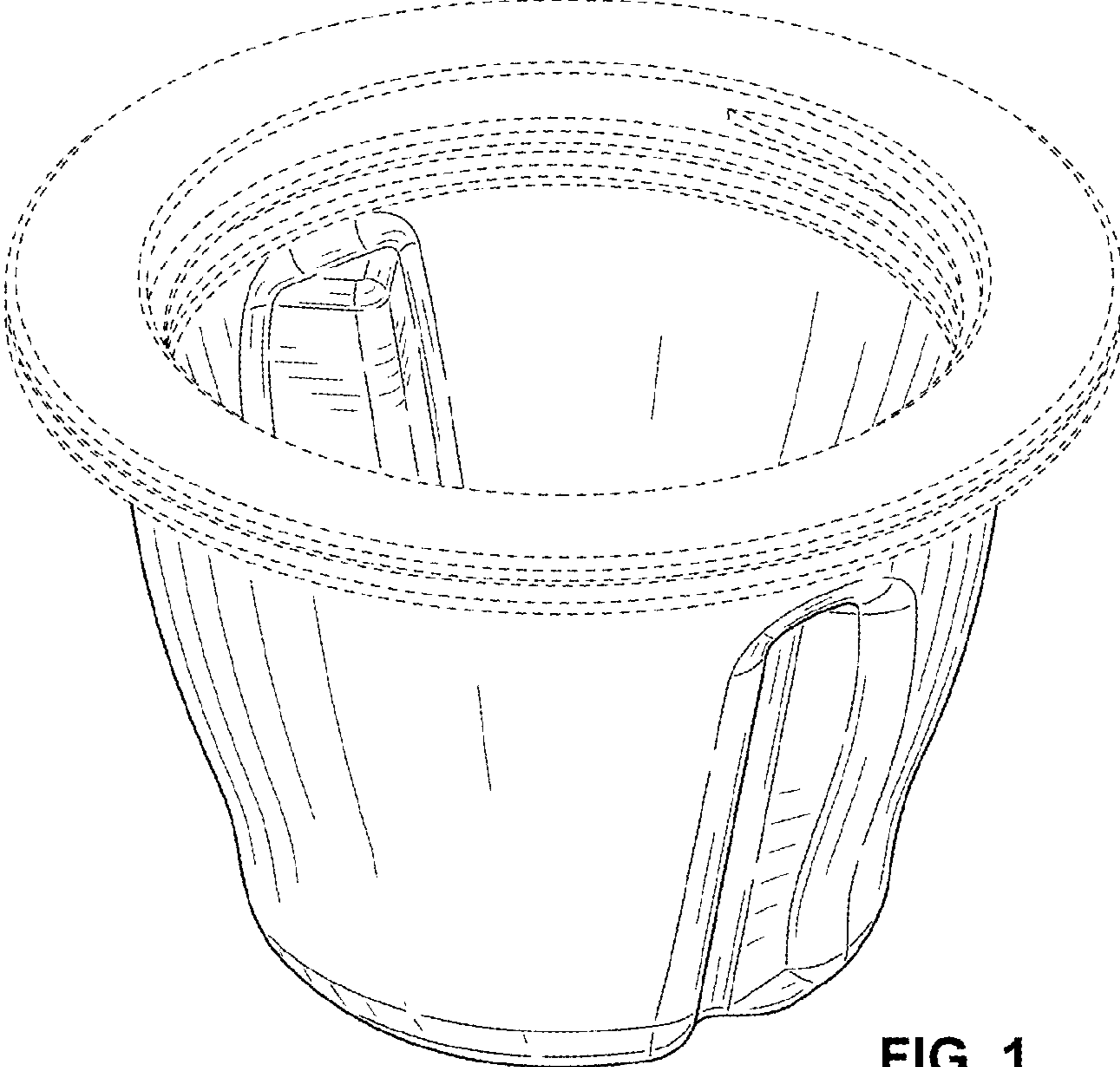


FIG. 1

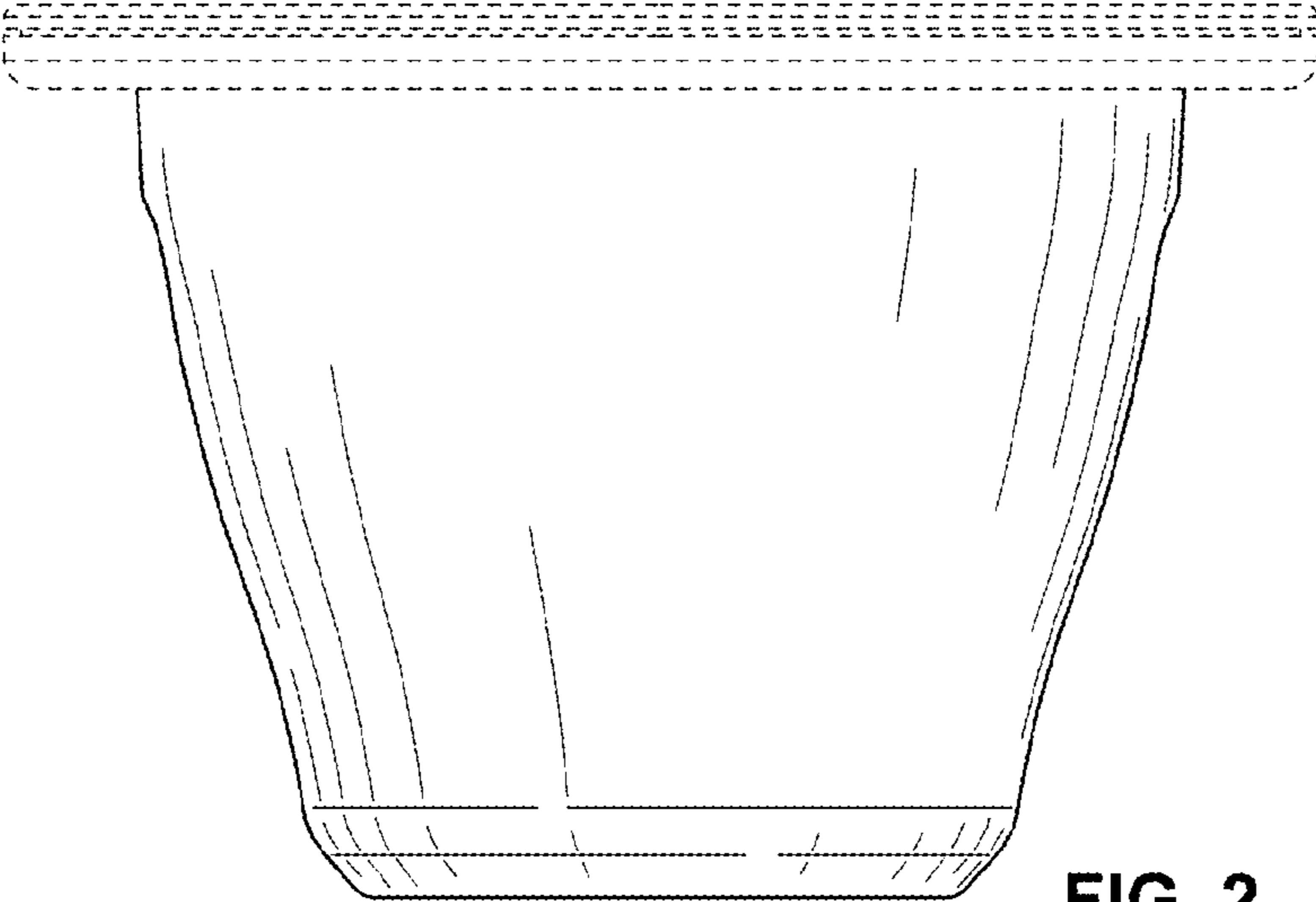


FIG. 2

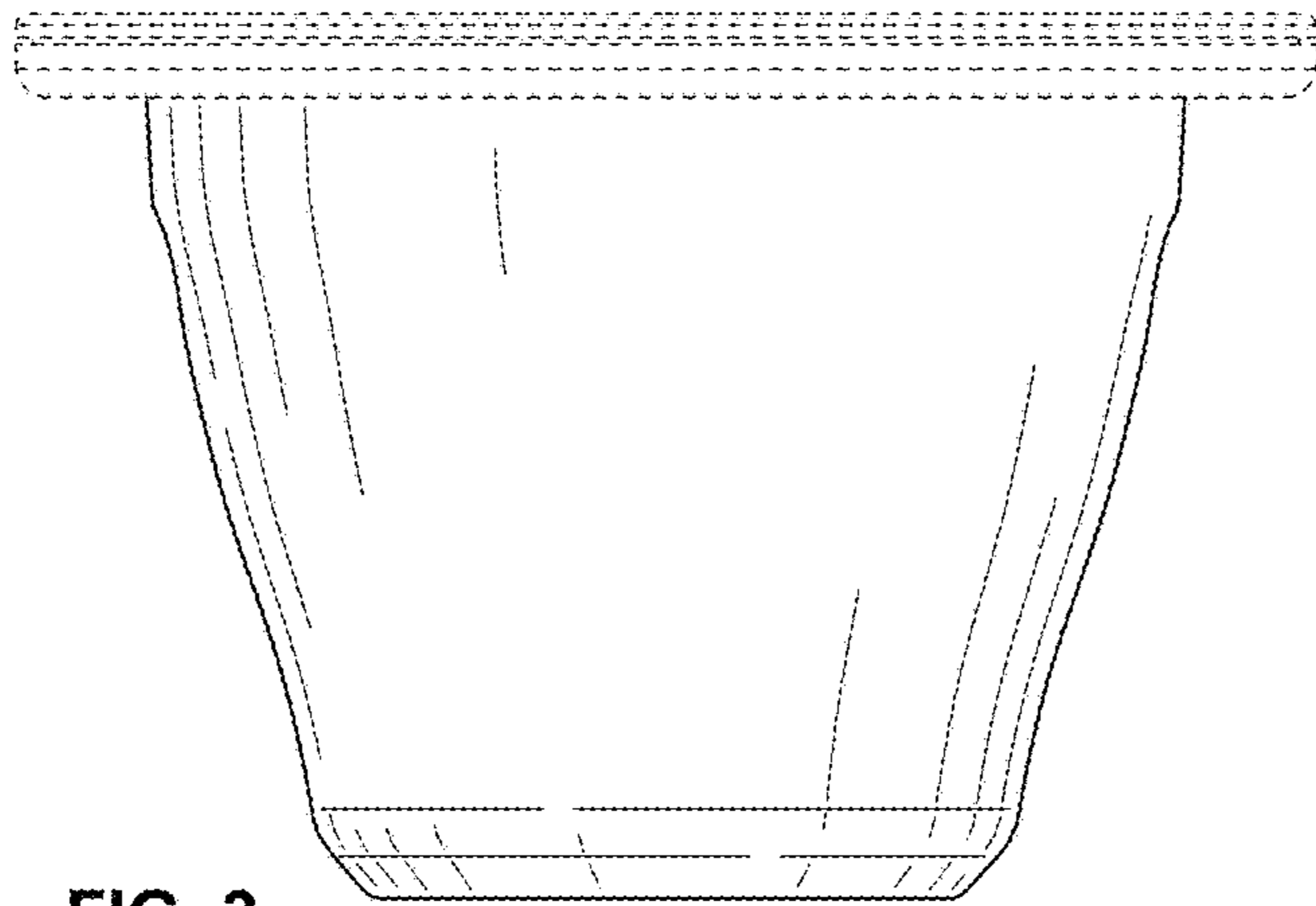


FIG. 3

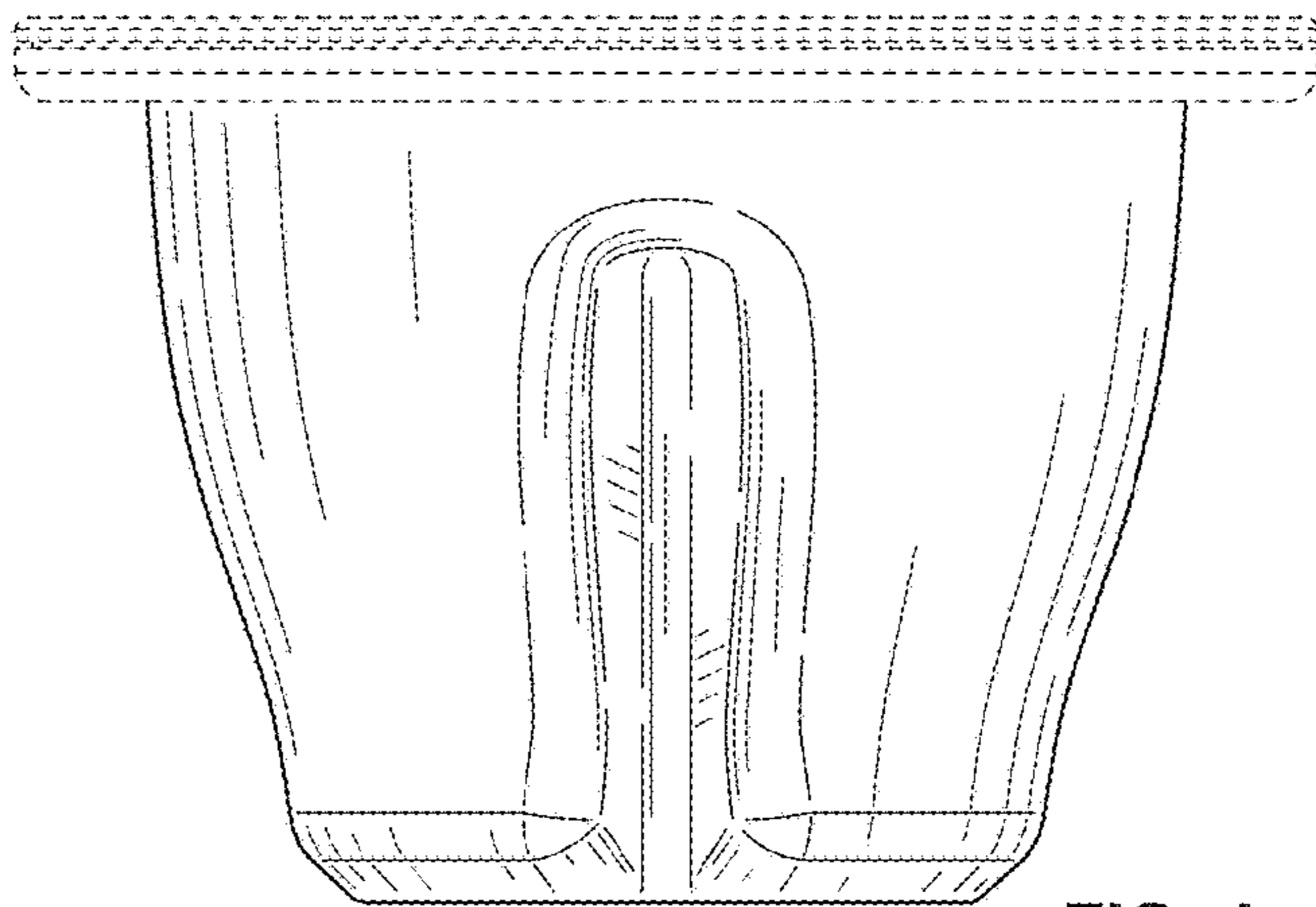


FIG. 4

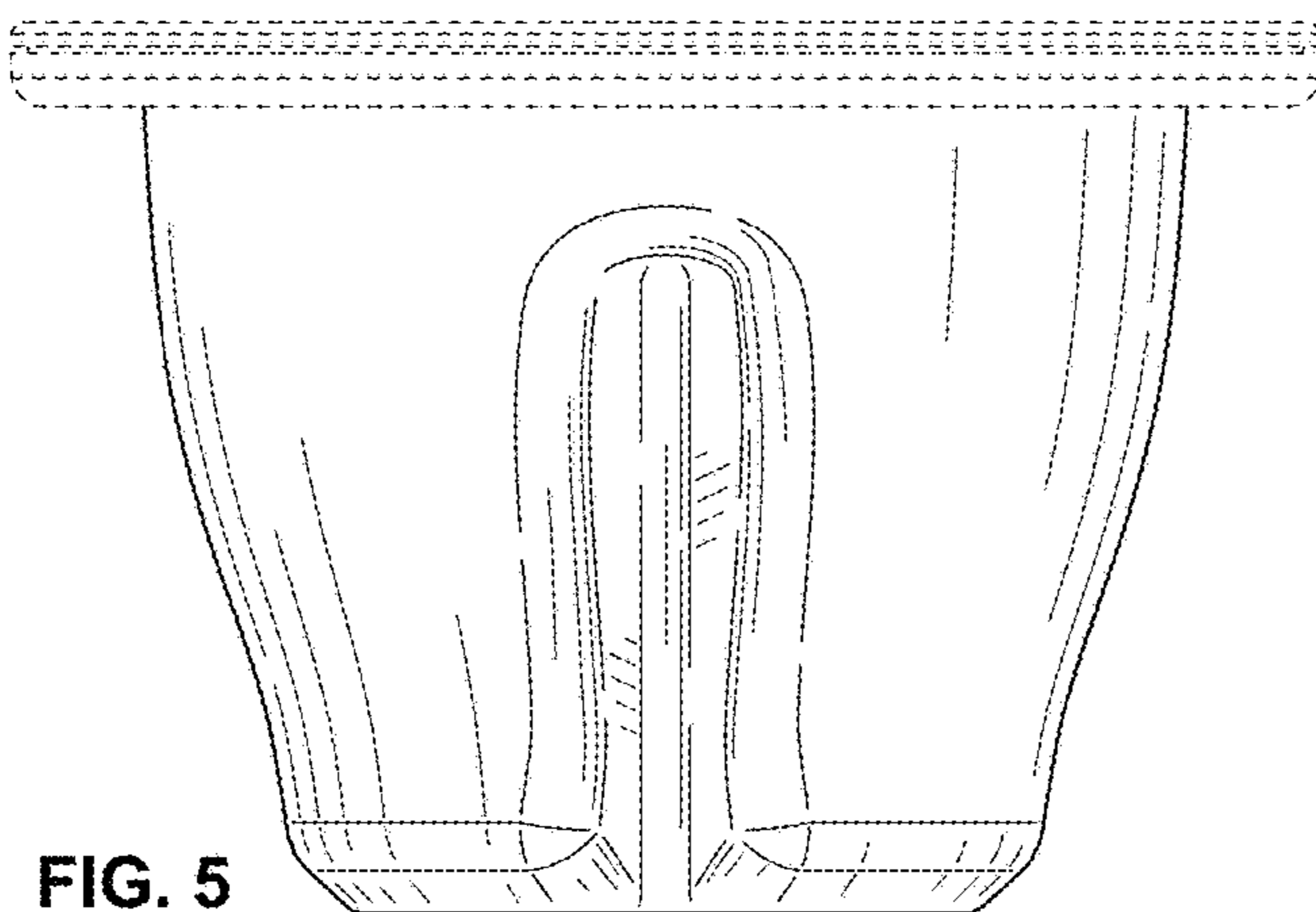


FIG. 5

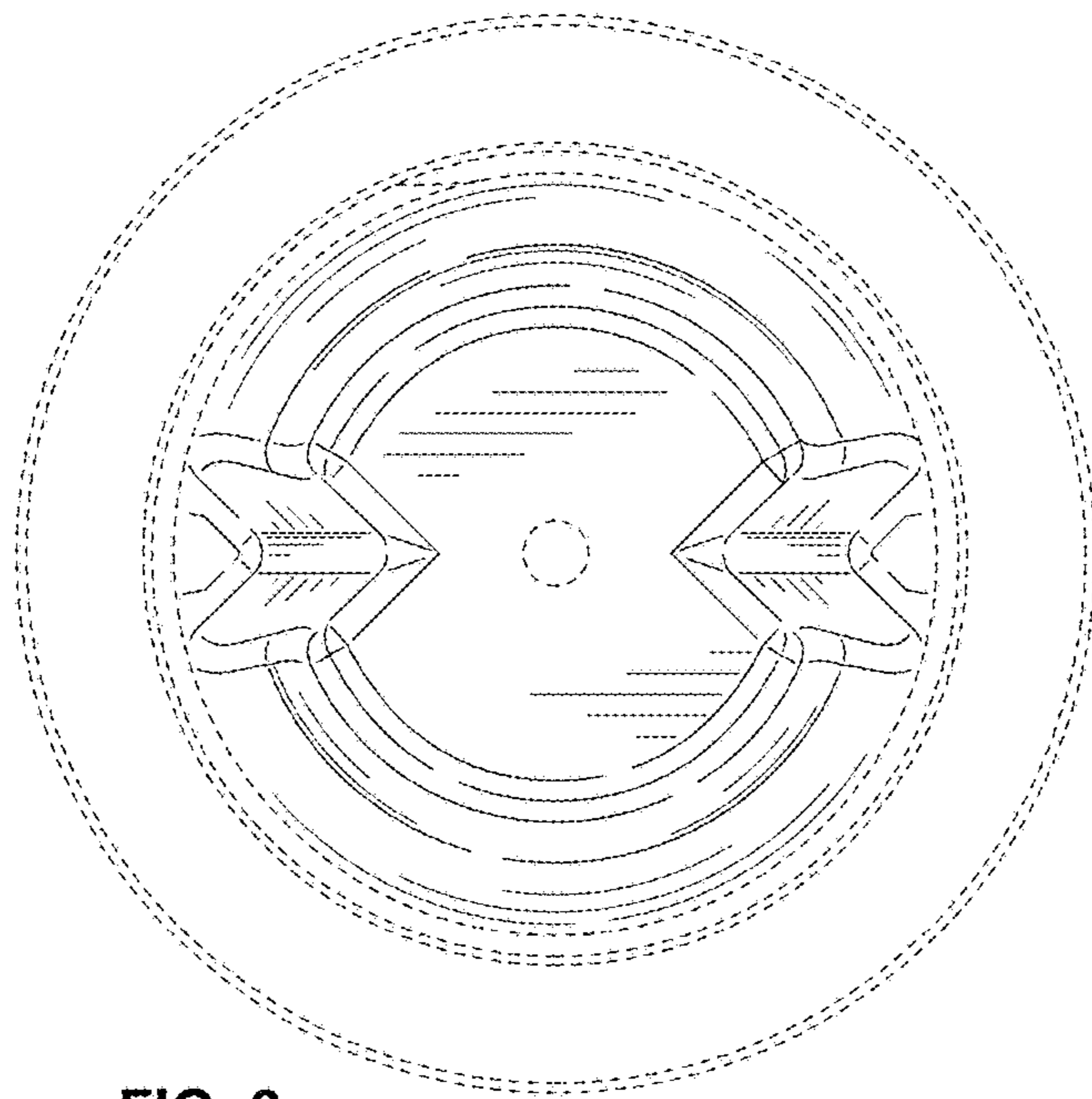


FIG. 6

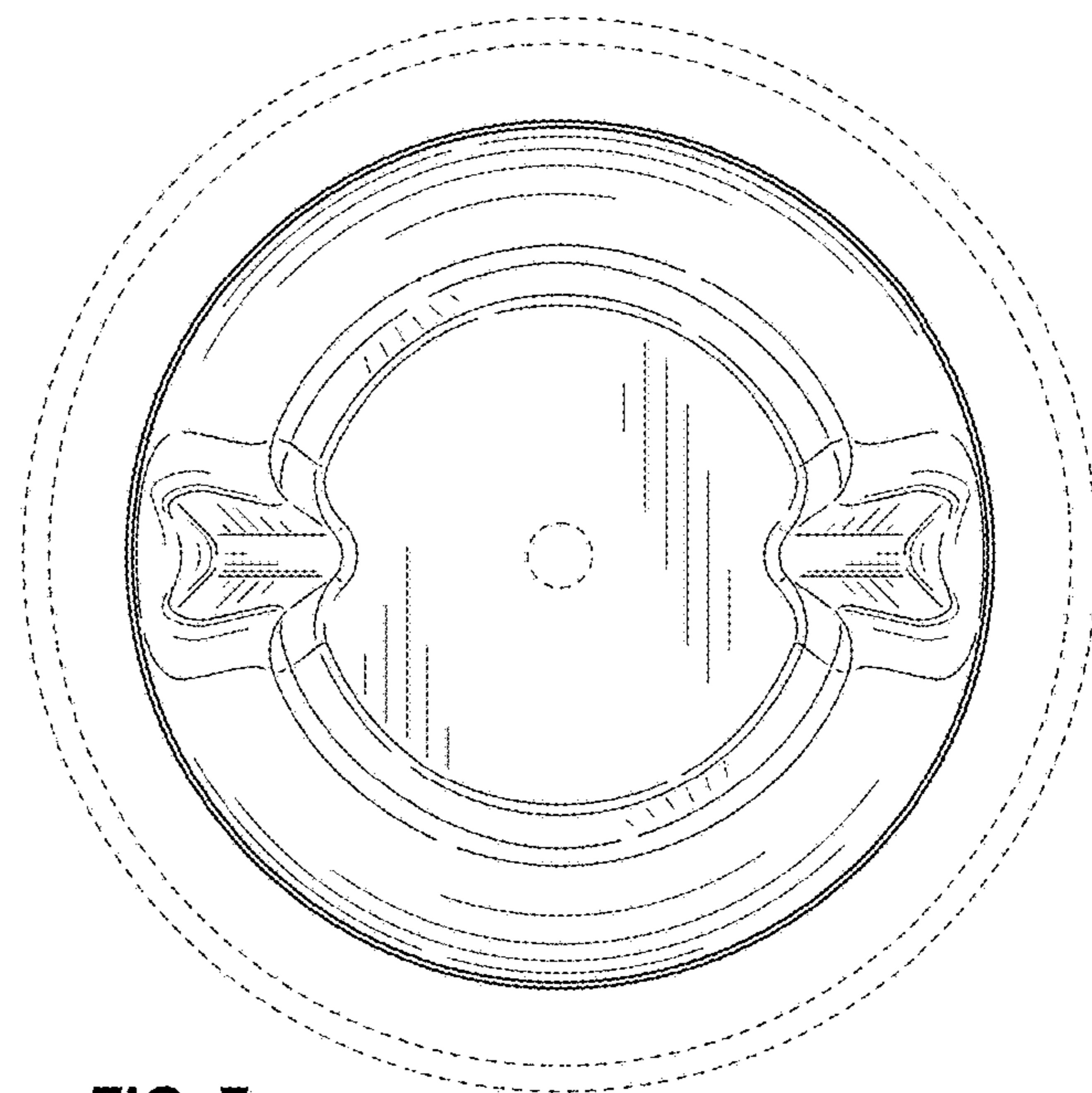


FIG. 7