



US00D830122S

(12) **United States Design Patent** (10) **Patent No.:** **US D830,122 S**
Seiders et al. (45) **Date of Patent:** **** Oct. 9, 2018**

(54) **DISPENSER**
(71) Applicant: **YETI Coolers, LLC**, Austin, TX (US)
(72) Inventors: **Roy Joseph Seiders**, Austin, TX (US);
James William Sonntag, Austin, TX
(US); **Christopher Mall Keller**, Austin,
TX (US); **Steve Charles Nichols**,
Austin, TX (US); **Martin Patrick**
Vespo, Austin, TX (US)

D248,440 S 7/1978 Bryan et al.
4,162,029 A 7/1979 Gottsegen et al.
D253,369 S 11/1979 Koelble et al.
(Continued)

FOREIGN PATENT DOCUMENTS

DE 10210055 A1 10/2003
DE 102004041583 A1 3/2006
(Continued)

OTHER PUBLICATIONS

MVP 7812 package—3 Burner Grill, Tailgate Transport & Ice Chest
Tray [online], [retrieved Oct. 12, 2017], Retrieved from the Internet,
URL: <<http://partykinggrills.com/shop/mvp-grill-tailgate-transport-ice-chest-tray/>>; 5 color pages, published date unknown, but for
purposes of patent prosecution presumably more than a year prior
to the filing date of the present application.

(Continued)

(73) Assignee: **YETI Coolers, LLC**, Austin, TX (US)
(**) Term: **15 Years**
(21) Appl. No.: **29/610,442**
(22) Filed: **Jul. 12, 2017**
(51) **LOC (11) Cl.** **07-99**
(52) **U.S. Cl.**
USPC **D7/398**; D23/213
(58) **Field of Classification Search**
USPC D7/397, 398; D23/259, 260, 261, 262,
D23/263, 264, 233, 238, 255, 249, 213,
D23/214, 223, 224; D9/434, 435, 452,
D9/453, 499
CPC .. B05B 7/02; B05B 7/025; B05B 1/00; B05B
1/02; B05B 1/12; B65D 41/04; B67D
7/42
See application file for complete search history.

Primary Examiner — Derrick Holland
Assistant Examiner — Andrew Kerr
(74) *Attorney, Agent, or Firm* — Banner & Witcoff, Ltd.

(57) **CLAIM**

The ornamental design for a dispenser, as shown and
described.

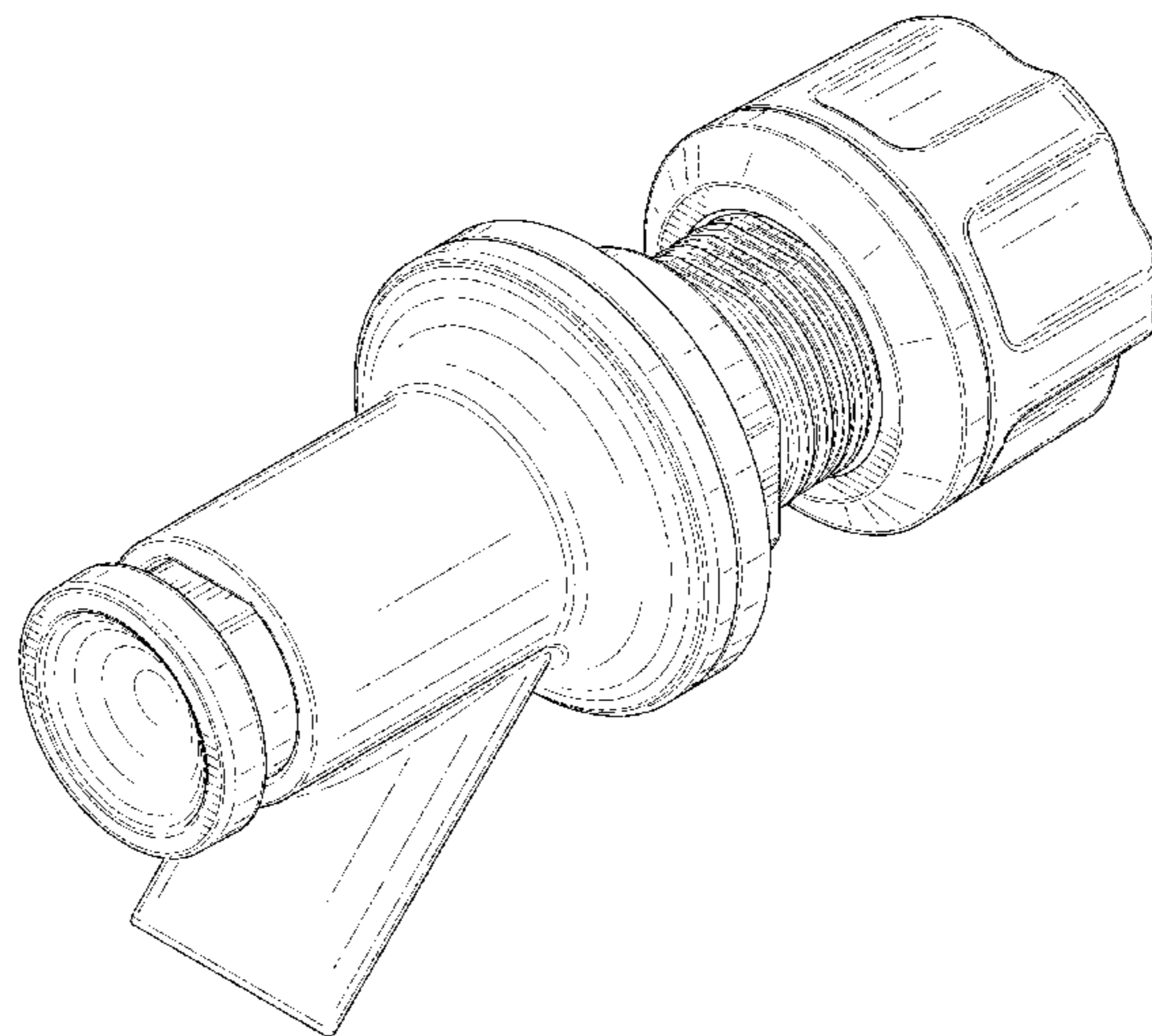
DESCRIPTION

FIG. 1 is a top, front, right perspective view of a dispenser
showing our new design;
FIG. 2 is a top view thereof;
FIG. 3 is a bottom view thereof;
FIG. 4 is a left side view thereof;
FIG. 5 is a right side view thereof;
FIG. 6 is a front view thereof; and,
FIG. 7 is a rear view thereof.
The broken lines showing portions of the dispenser is for the
purpose of illustrating environmental structure only and
forms no part of the claimed design.

1 Claim, 7 Drawing Sheets

(56) **References Cited**
U.S. PATENT DOCUMENTS

1,565,686 A 12/1925 Titus
2,070,488 A 2/1937 McIntosh
2,628,062 A 2/1953 Weber
3,111,014 A 11/1963 Herrick
3,439,835 A 4/1969 Reid
3,592,359 A 7/1971 Marraffino
3,863,673 A 2/1975 Sitton
3,923,949 A 12/1975 Kane et al.



(56)

References Cited

U.S. PATENT DOCUMENTS

4,181,243 A 1/1980 Frahm
 D261,391 S 10/1981 Ranua et al.
 4,351,455 A 9/1982 Bond
 4,367,572 A 1/1983 Zielenski
 D270,704 S 9/1983 Ruxton et al.
 4,440,316 A 4/1984 Christine
 D290,080 S 6/1987 Carlson
 4,742,851 A 5/1988 Lundblade
 4,805,859 A 2/1989 Hudson
 4,936,409 A 6/1990 Nix et al.
 5,165,645 A 11/1992 Brown
 5,222,631 A 6/1993 Hood
 D365,747 S 1/1996 Grande
 D368,129 S 3/1996 Peoples
 5,535,883 A 7/1996 Henderson
 5,607,084 A 3/1997 George
 5,827,023 A 10/1998 Stull
 5,860,281 A 1/1999 Coffee et al.
 5,913,448 A 6/1999 Mann et al.
 5,971,218 A 10/1999 Le
 6,059,143 A 5/2000 Weir
 6,102,356 A 8/2000 Huntley et al.
 6,105,844 A 8/2000 Walters et al.
 6,126,046 A 10/2000 Baculy
 6,126,124 A 10/2000 Wagner
 6,176,562 B1 1/2001 Hart
 6,302,051 B1 10/2001 Hemmingson
 D451,765 S 12/2001 Israel et al.
 6,386,557 B1 5/2002 Weldon
 6,401,752 B1 6/2002 Blackbourn et al.
 6,405,557 B1 6/2002 DeCastro et al.
 6,427,886 B1 8/2002 Essex
 D468,071 S 12/2002 Le et al.
 6,491,189 B2 12/2002 Friedman
 6,527,153 B1 3/2003 Manos
 D472,762 S 4/2003 Song
 6,564,893 B2 5/2003 Lipman
 6,666,362 B1 12/2003 LeTrudet
 6,755,428 B2 6/2004 Butler
 6,845,786 B1 1/2005 Ophardt et al.
 D504,713 S 5/2005 Py et al.
 6,896,158 B2 5/2005 Leray et al.
 D528,368 S 9/2006 Maldonado
 D546,119 S 7/2007 Dodge
 7,269,969 B2 9/2007 Strickland et al.
 7,311,229 B1 12/2007 Wrigley
 7,328,818 B2 2/2008 Prabucki
 7,331,559 B2 2/2008 Hirayu
 D566,479 S 4/2008 Kabalin
 D571,188 S 6/2008 Brassard
 7,455,281 B2 11/2008 Craft
 7,669,828 B2 3/2010 Hardy et al.
 7,802,709 B1 9/2010 Lewis et al.
 D626,406 S 11/2010 Tedesco et al.
 7,841,635 B2 11/2010 Fuchs
 D628,566 S 12/2010 Molter
 D648,006 S * 11/2011 Morishita D23/259
 D651,860 S 1/2012 Nie
 8,123,236 B1 2/2012 Helenihi
 D662,572 S 6/2012 Marquis-Martin
 8,230,697 B2 7/2012 Lavallee
 D674,245 S 1/2013 Williams, Jr. et al.
 D693,220 S * 11/2013 Luo B65D 55/00
 D9/439
 D695,568 S 12/2013 Hayes
 8,746,498 B2 6/2014 Maldonado et al.
 8,827,230 B2 9/2014 Nemoto
 8,875,934 B2 11/2014 Deka
 8,950,989 B1 2/2015 Rivera
 9,057,552 B2 6/2015 Vanderberg et al.
 D738,470 S * 9/2015 Eaton F16L 21/08
 D23/259
 9,126,747 B2 9/2015 Burgess et al.
 9,150,163 B2 10/2015 Cronkright, II et al.
 9,150,353 B2 10/2015 Jackson

D746,128 S 12/2015 Stanton
 9,199,657 B2 12/2015 Martin
 9,227,571 B1 1/2016 Wilkens
 9,227,768 B2 1/2016 Quick et al.
 D749,653 S 2/2016 Carnes
 9,278,704 B2 3/2016 Cates
 9,352,698 B2 5/2016 Romanelli
 D767,973 S 10/2016 DeDios-Shirley et al.
 D772,383 S * 11/2016 Gill D23/259
 D773,621 S * 12/2016 Gill D23/259
 D775,952 S * 1/2017 Kim D9/452
 9,533,814 B2 1/2017 Brooks
 9,543,558 B2 1/2017 Templeman et al.
 9,550,508 B1 1/2017 Parra
 D782,620 S * 3/2017 Becker D23/259
 D785,140 S * 4/2017 Gross D23/259
 D787,648 S * 5/2017 Smith D23/259
 9,750,371 B2 9/2017 Bungard et al.
 9,878,841 B2 1/2018 Holderness et al.
 2002/0038745 A1 4/2002 Lamming
 2004/0232637 A1 11/2004 Butler
 2004/0251444 A1 12/2004 Levey et al.
 2005/0127081 A1 6/2005 Leba et al.
 2006/0260327 A1 11/2006 Kanamori et al.
 2006/0261088 A1 11/2006 Chin
 2006/0261111 A1 11/2006 McCoy et al.
 2007/0045368 A1 3/2007 Lavelle
 2007/0095998 A1 5/2007 Gray
 2007/0152002 A1 7/2007 Dollar
 2007/0152003 A1 7/2007 Dollar
 2007/0181615 A1 8/2007 Allanson et al.
 2007/0187435 A1 8/2007 Quirk
 2008/0178629 A1 7/2008 Meether
 2009/0241584 A1 10/2009 Hayes et al.
 2010/0212351 A1 8/2010 Chapin et al.
 2010/0215455 A1 8/2010 Burris
 2011/0062156 A1 3/2011 Smeaton
 2011/0240684 A1 10/2011 McSavaney
 2012/0111892 A1 5/2012 Leith, Sr. et al.
 2014/0252010 A1 9/2014 Miller
 2015/0048118 A1 2/2015 English et al.
 2015/0182012 A1 7/2015 Thornton et al.
 2015/0375918 A1 12/2015 Holderness et al.
 2016/0114347 A1 * 4/2016 Kosarnig B05B 15/065
 239/600
 2016/0220925 A1 8/2016 Savoy et al.
 2016/0340217 A1 11/2016 Kuennen et al.
 2017/0203308 A1 * 7/2017 Huang B05B 1/12

FOREIGN PATENT DOCUMENTS

EP 2873626 A1 5/2015
 GB 484091 A 4/1938
 WO 10044074 A1 4/2010

OTHER PUBLICATIONS

Great Day Hitch-N-Ride Cargo Carriers—HNR100TF [online], [retrieved Oct. 12, 2017], Retrieved from the Internet, URL: <<http://www.autoanything.com/roof-racks/77A7418A4464928.aspx>>; 3 color pages, published date unknown, but for purposes of patent prosecution presumably more than a year prior to the filing date of the present application.
 Rubbermaid FG9F1900BLA ProServe Black Dolly with Retention Strap for 9F12, 9F13, 9F14, 9F15, and 9F16 Insulated Food Pan Carrier [online], [retrieved Oct. 12, 2017], Retrieved from the Internet, URL: <<https://www.webstaurantstore.com/rubbermaid-9f19-proserve-black-dolly-with-retention-strap-for-9f12-9f13-9f14-9f15-and-9f16-insulated-food-pan-carrier-fg9f1900bla/6909F19.html>>; 4 color pages, published date unknown, but for purposes of patent prosecution presumably more than a year prior to the filing date of the present application.
 Yeti Cooler Mounted in Baja Basket—Photo 08 [online], [retrieved Oct. 12, 2017], Retrieved from the Internet, URL: <<http://www.fourwheeler.com/how-to/body-chassis/1503-adding-synergy-manufacturings-baja-basket-storage-solution/photo-08.html>>; 6 color

(56)

References Cited

OTHER PUBLICATIONS

pages, published date unknown, but for purposes of patent prosecution presumably more than a year prior to the filing date of the present application.

Now Selling Cooler Commander (7 pictures) [online], [retrieved Oct. 12, 2017], Retrieved from the Internet, URL: <<http://www.rzforums.net/utv-family/304697-now-selling-cooler-commander-7-pictures.html>>; 7 color pages, published date unknown, but for purposes of patent prosecution presumably more than a year prior to the filing date of the present application.

Engel USA Cooler Tie-Down Strap Kit [online], [retrieved Oct. 12, 2017], Retrieved from the Internet, URL: <<https://www.amazon.com/Engel-USA-Cooler-Tie-Down-Strap/dp/B0078T3MWY>>; 6 color pages, published date unknown, but for purposes of patent prosecution presumably more than a year prior to the filing date of the present application.

Yeti Cooler Slide Out Mounting Kit [online], [retrieved Oct. 12, 2017], Retrieved from the Internet, URL: <<http://archive.constantcontact.com/fs085/1102686599059/archive/1108110340931.html>>; 5 color pages, published date unknown, but for purposes of patent prosecution presumably more than a year prior to the filing date of the present application.

ARB [online], [retrieved Oct. 12, 2017], Retrieved from the Internet, URL: <https://www.streetsideauto.com/p/arb-10900010/?utm_source=googlepepla&utm_medium=adword&gclid=CPT3omE69MCFRtYDQodyVIBUg>; 2 color pages, published date unknown, but for purposes of patent prosecution presumably more than a year prior to the filing date of the present application. Sep. 29, 2017—(PCT) ISR & Written Opinion—App PCT/US2017/028288.

* cited by examiner

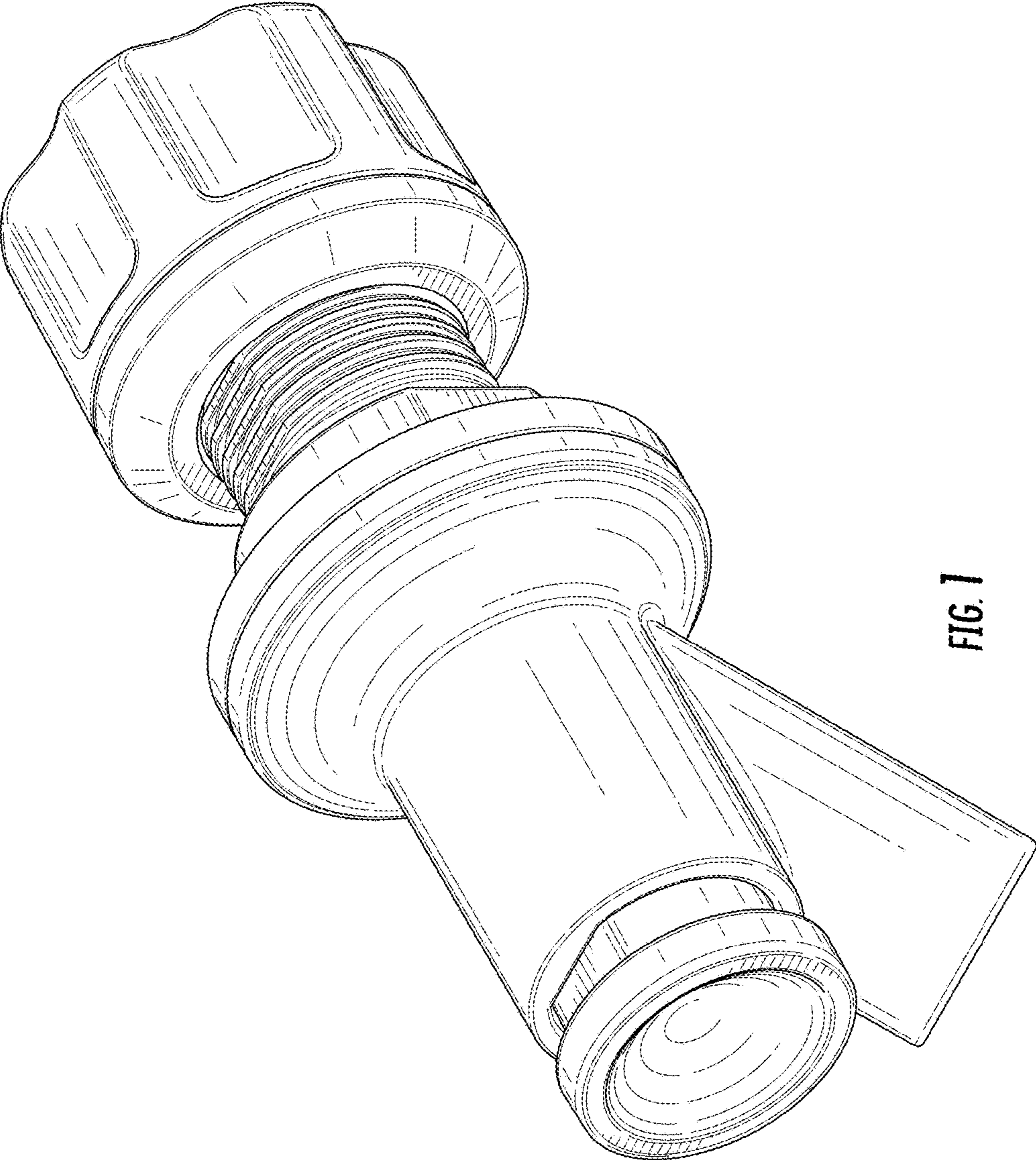


FIG. 1

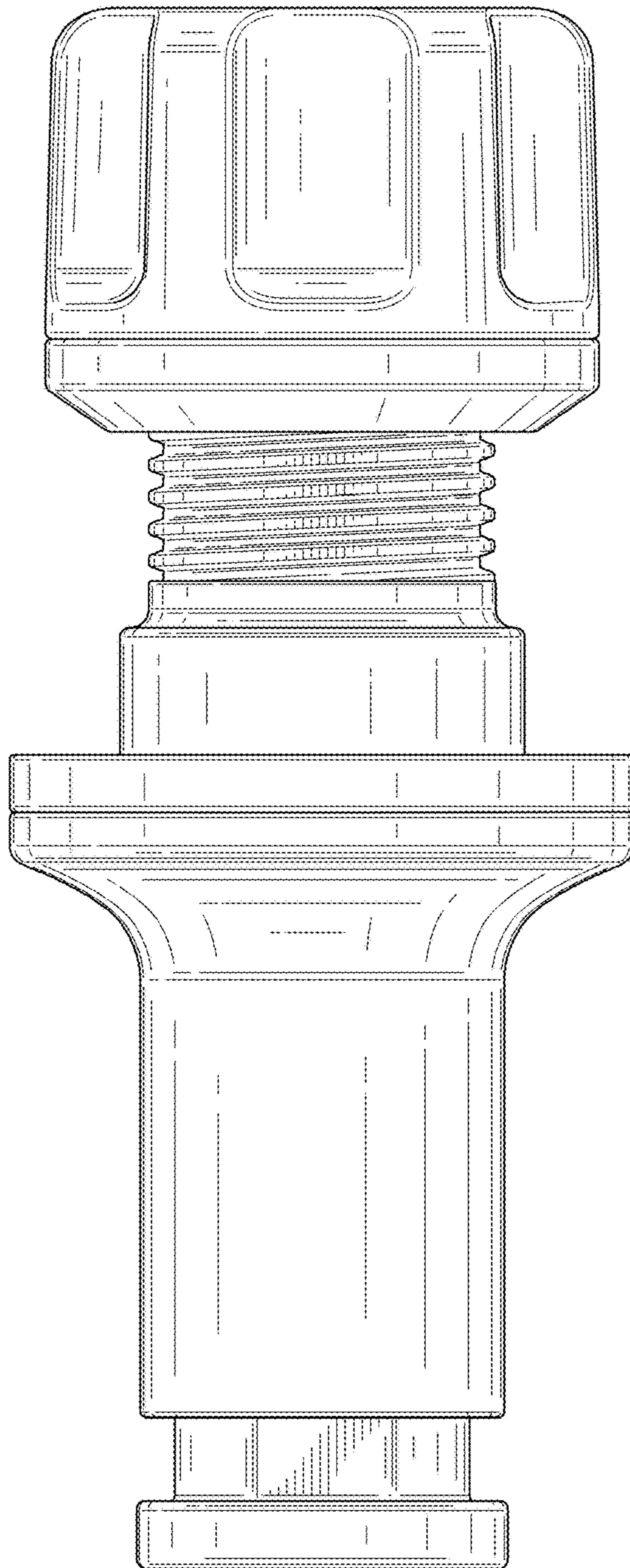


FIG. 2

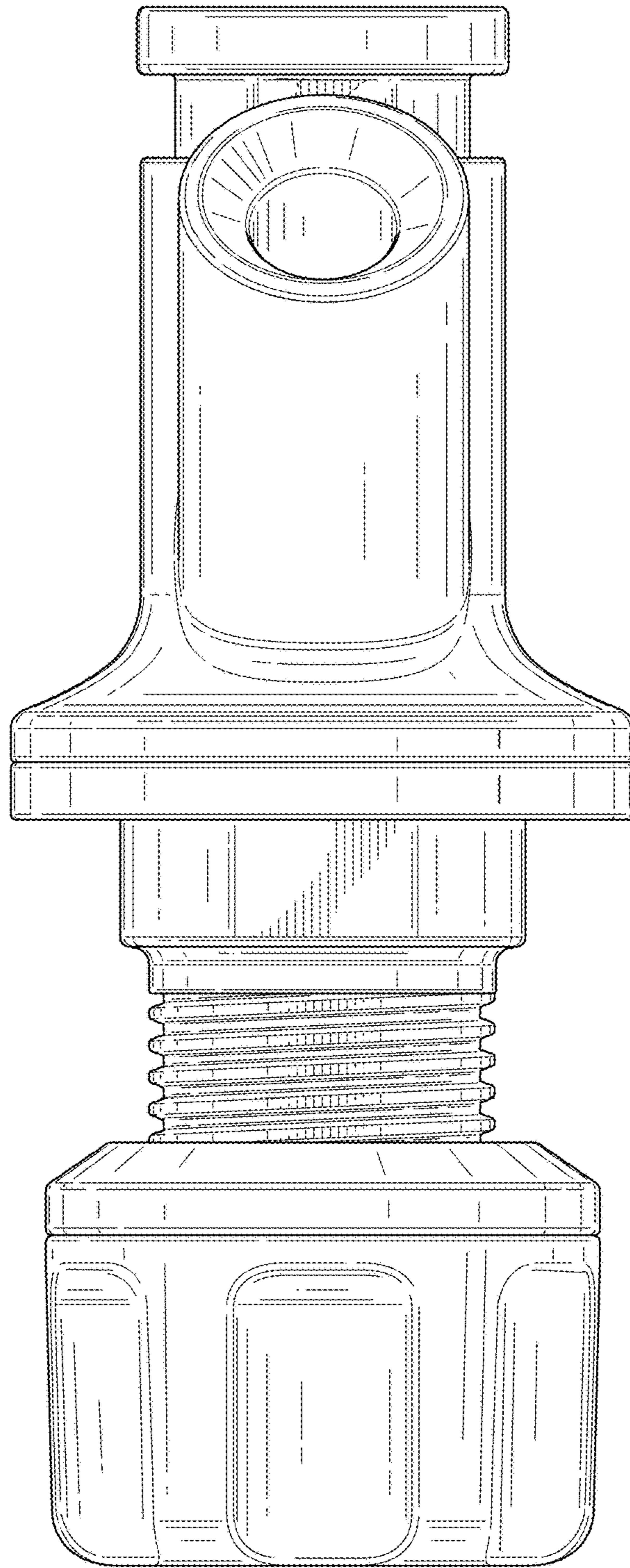


FIG. 3

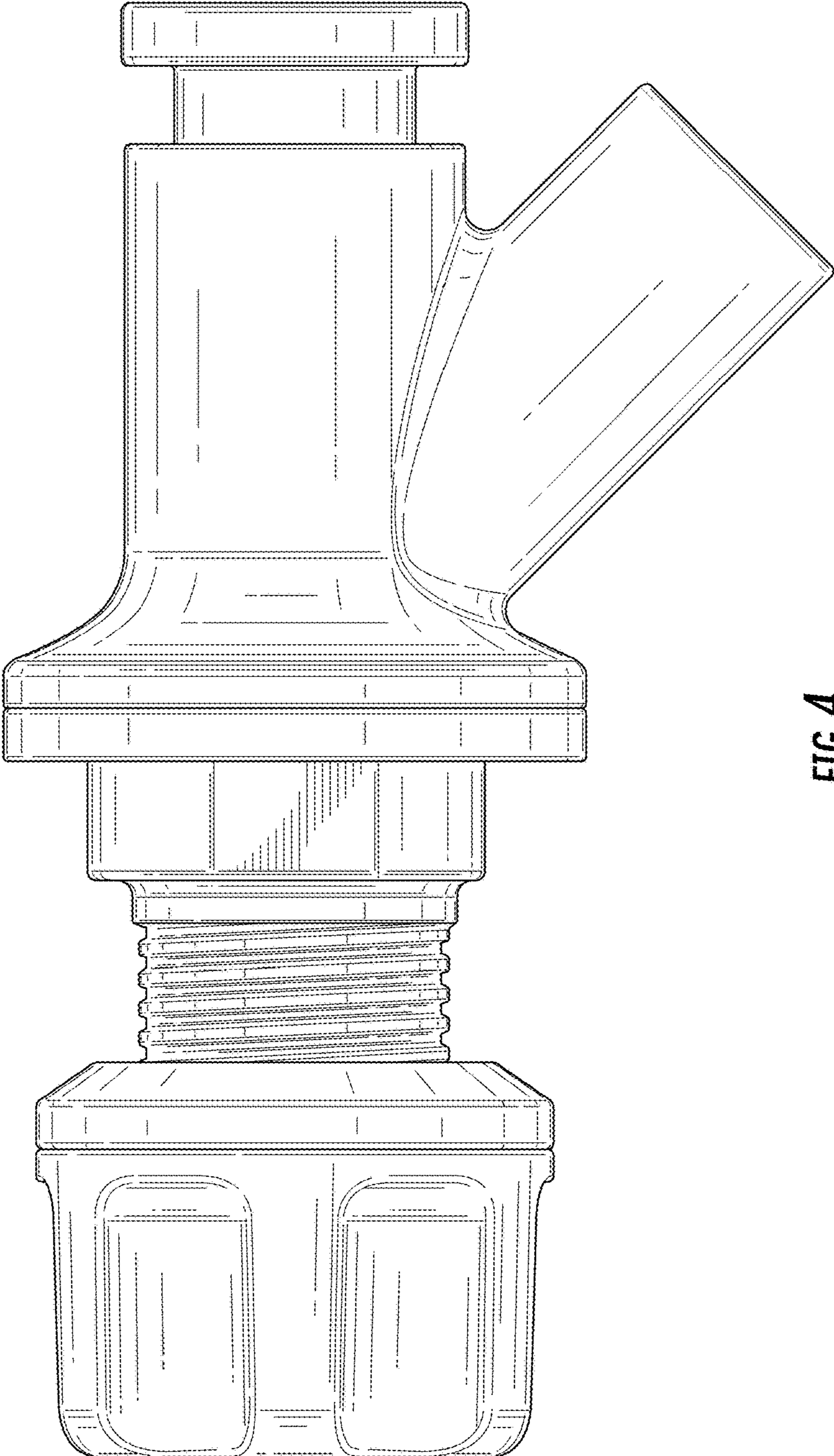


FIG. 4

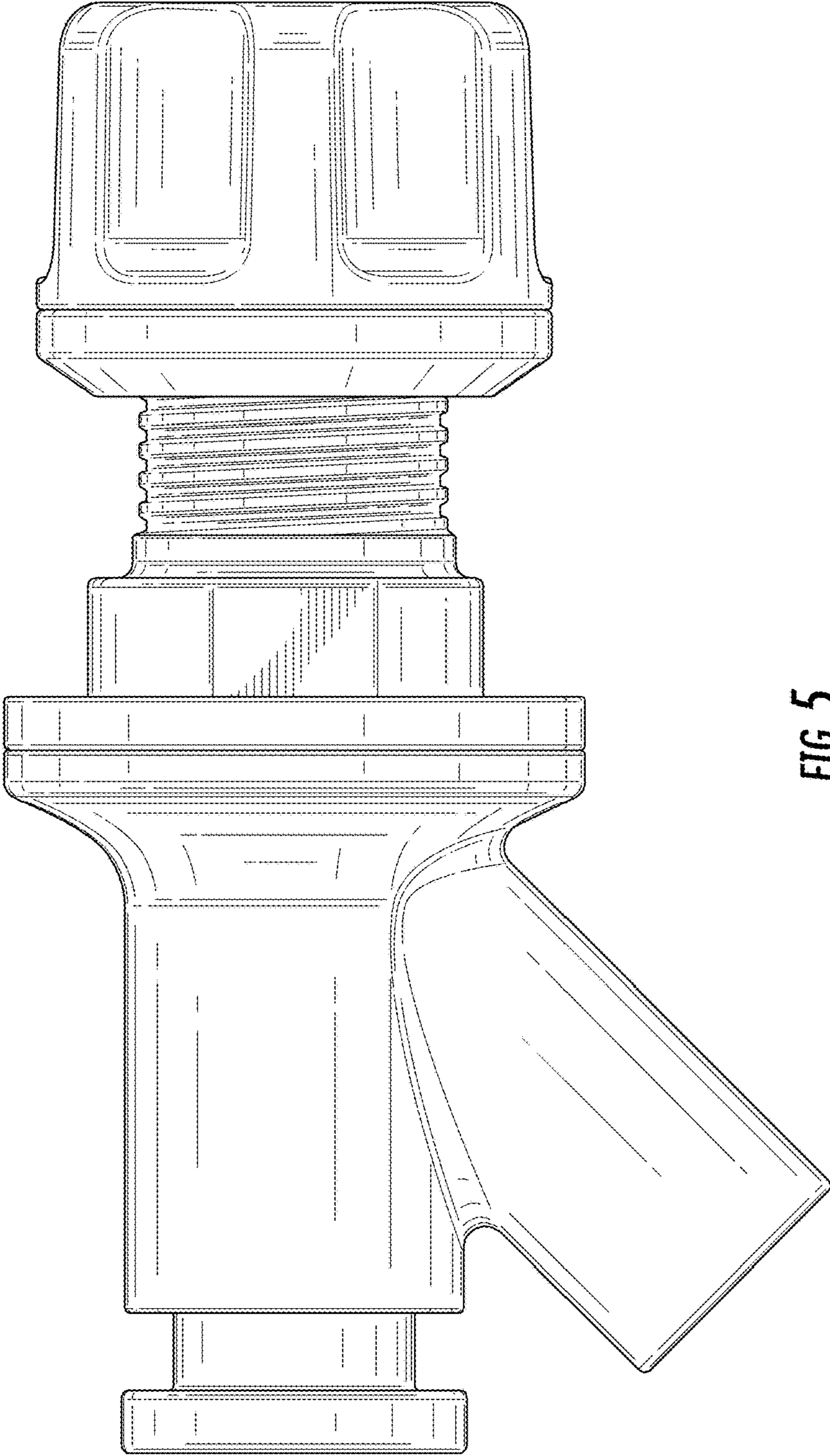


FIG. 5

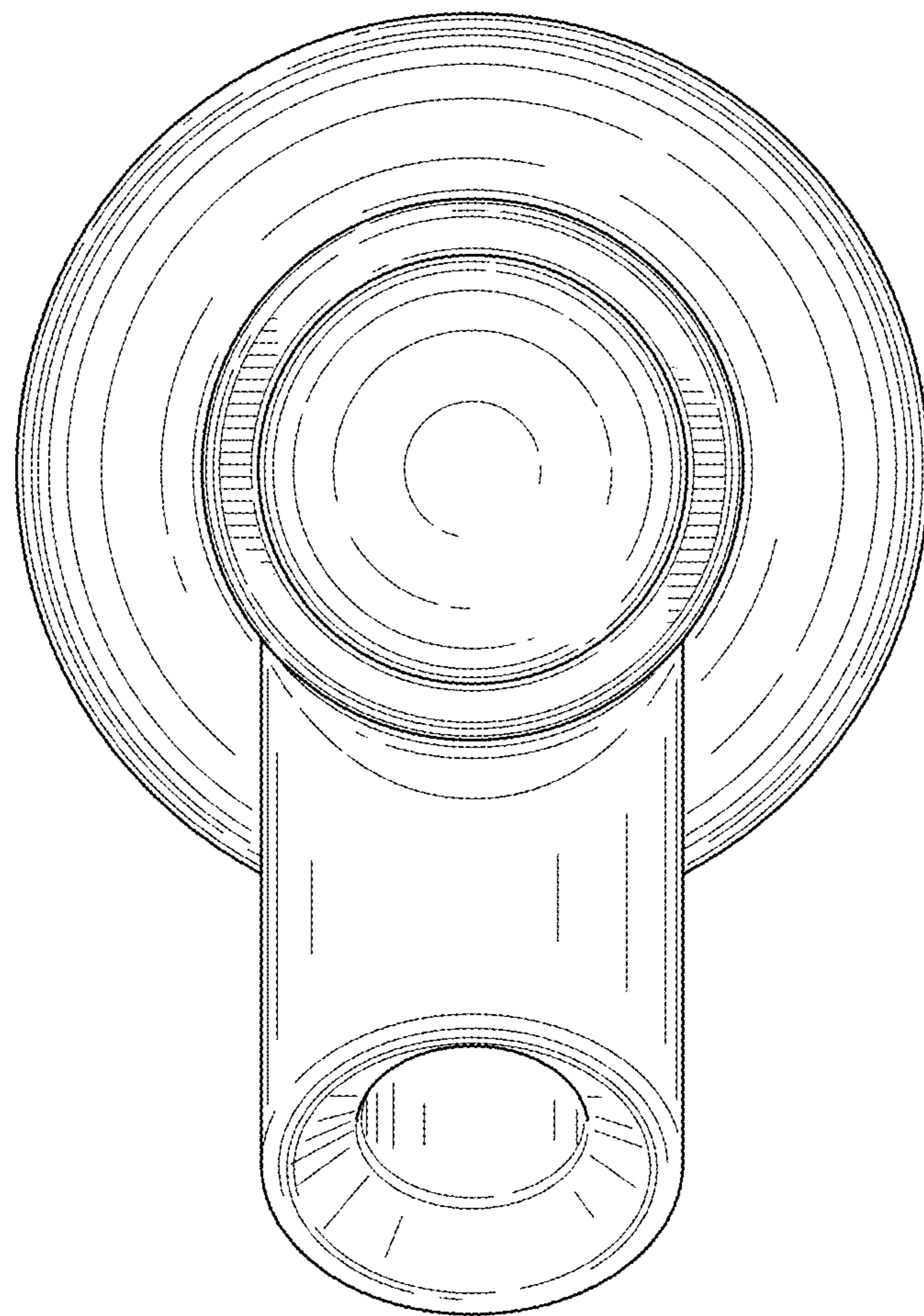


FIG. 6

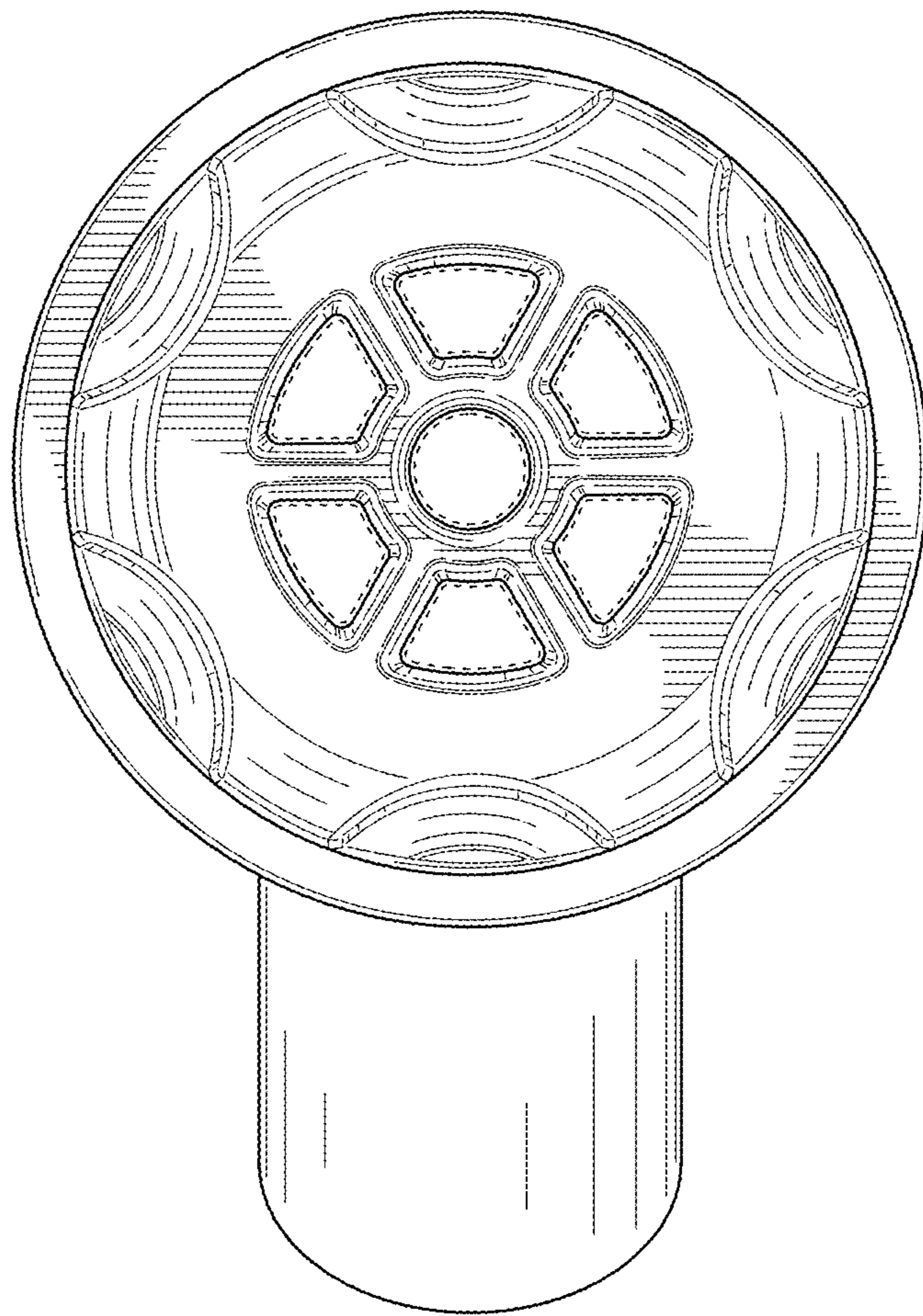


FIG. 7