



US00D830120S

(12) **United States Design Patent**
Munari

(10) **Patent No.:** **US D830,120 S**
(45) **Date of Patent:** **** Oct. 9, 2018**

- (54) **SIDE HANDLE FOR COOKWARE**
- (71) Applicant: **LA TERMOPLASTIC F.B.M. S.R.L.**,
Arsago Seprio (VA) (IT)
- (72) Inventor: **Marco Munari**, Cardano al Campo (IT)
- (73) Assignee: **LA TERMOPLASTIC F.B.M. S.R.L.**,
Arsago Seprio (VA) (IT)

D344,431 S *	2/1994	Welch	D7/393
D348,178 S *	6/1994	Munari	D7/393
D444,345 S *	7/2001	Rae	D7/394
D496,557 S *	9/2004	Munari	D7/394
D510,231 S *	10/2005	Coudurier	D7/393
D516,377 S *	3/2006	Plichon	D7/394
D555,423 S *	11/2007	Hoff	D7/393
D561,524 S *	2/2008	Munari	D7/394
D617,604 S *	6/2010	Munari	D7/393
D680,806 S *	4/2013	Munari	D7/394
D776,479 S *	1/2017	Munari	D7/394

(**) Term: **15 Years**

* cited by examiner

(21) Appl. No.: **29/561,303**

Primary Examiner — Cynthia M Chin

(22) Filed: **Apr. 14, 2016**

(74) *Attorney, Agent, or Firm* — Hedman & Costigan,
P.C.; James V. Costigan; Kathleen A. Costigan

(30) **Foreign Application Priority Data**

Oct. 14, 2015 (EM) 002822395

(51) **LOC (11) Cl.** **07-02**

(52) **U.S. Cl.**
USPC **D7/394**

(58) **Field of Classification Search**
 USPC D7/354–361, 391, 393–395, 396.2, 514,
 D7/664, 396, 401.1, 401.2, 622, 688;
 D8/107, 306, 317, 300–301, 315–316,
 D8/318, 319–321; D3/318
 CPC A47J 45/06; A47J 45/061; A47J 45/62;
 A47J 45/08; A47J 45/085; B65D
 25/2802; B65D 25/2882; B65D 25/2885;
 B65D 25/2888; B65D 25/2894; Y10S
 220/912; B75D 25/2885
 See application file for complete search history.

(56) **References Cited**

U.S. PATENT DOCUMENTS

- 3,774,263 A * 11/1973 Day A47B 95/02
16/444
- D277,257 S * 1/1985 Cesaroni D7/394

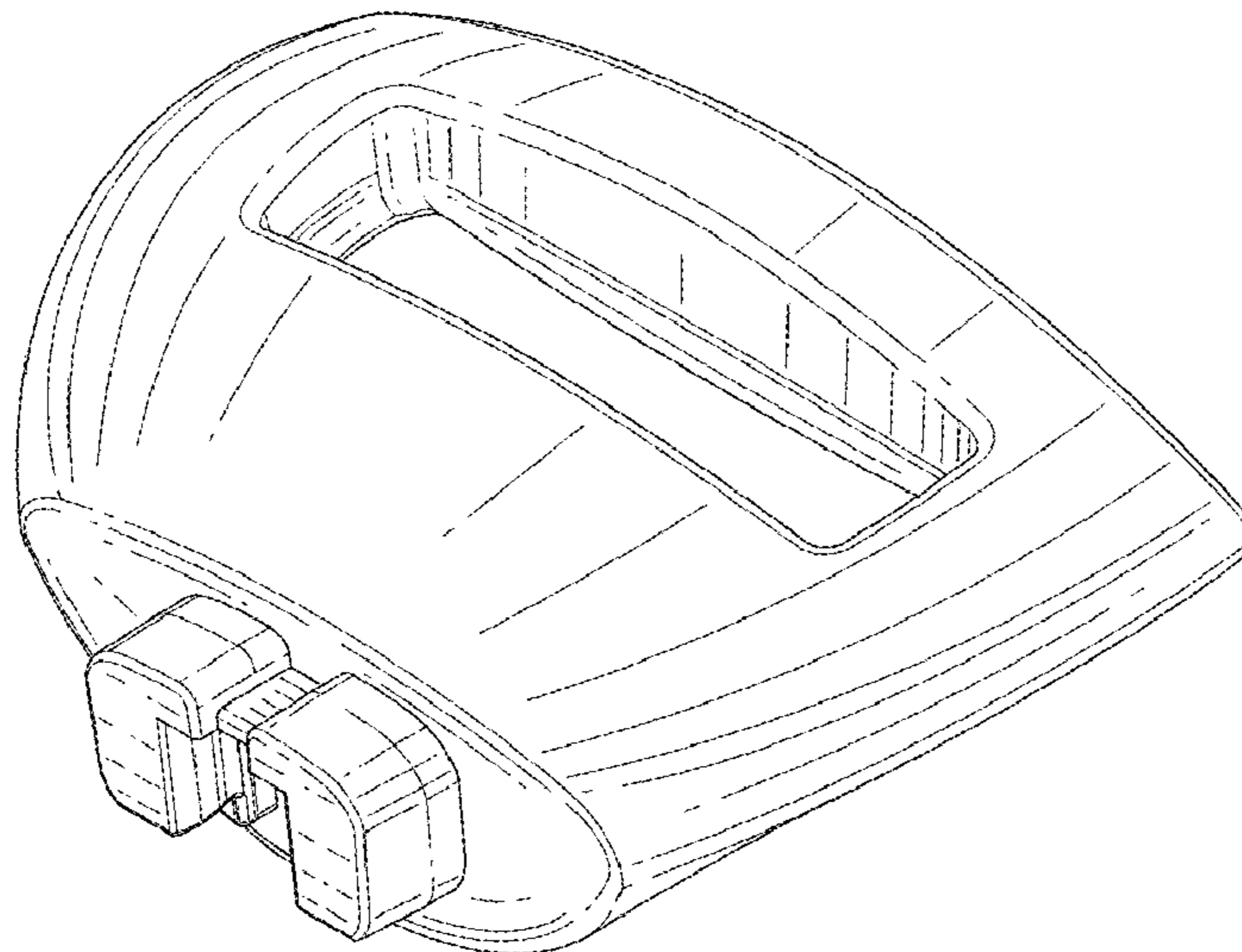
(57) **CLAIM**

I claim the ornamental design for a side handle for cook-
ware, as shown and described.

DESCRIPTION

FIG. 1 is a top perspective view of a side handle for cookware according to the present invention;
 FIG. 2 is a left side elevational view thereof;
 FIG. 3 is a right side elevational view thereof;
 FIG. 4 is a front elevational view thereof;
 FIG. 5 is a rear elevational view thereof;
 FIG. 6 is top plan view thereof; and,
 FIG. 7 is a bottom plan view thereof.
 The portions of the side handle for cookware shown in broken lines form no part of the claimed design.

1 Claim, 2 Drawing Sheets



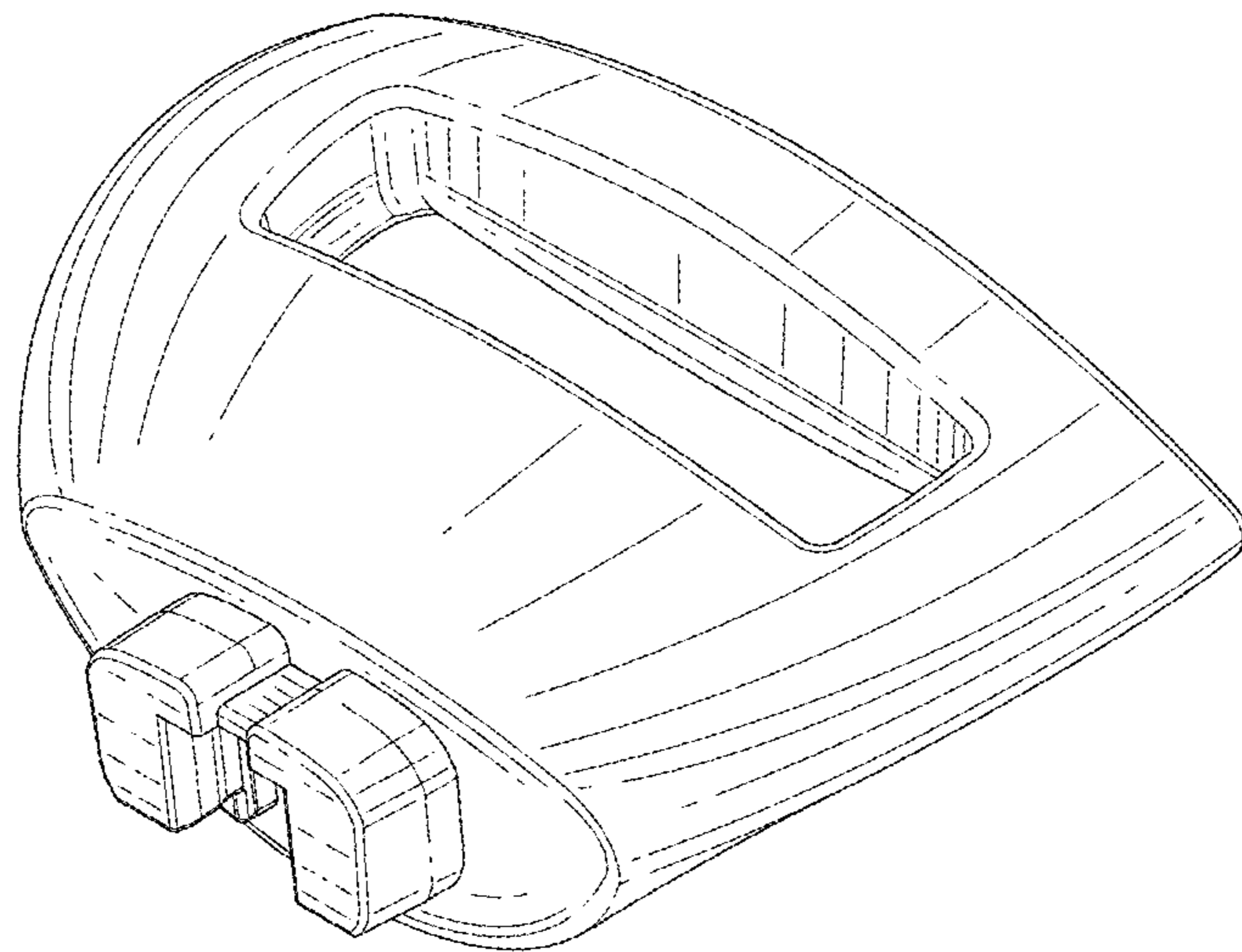


FIG. 1

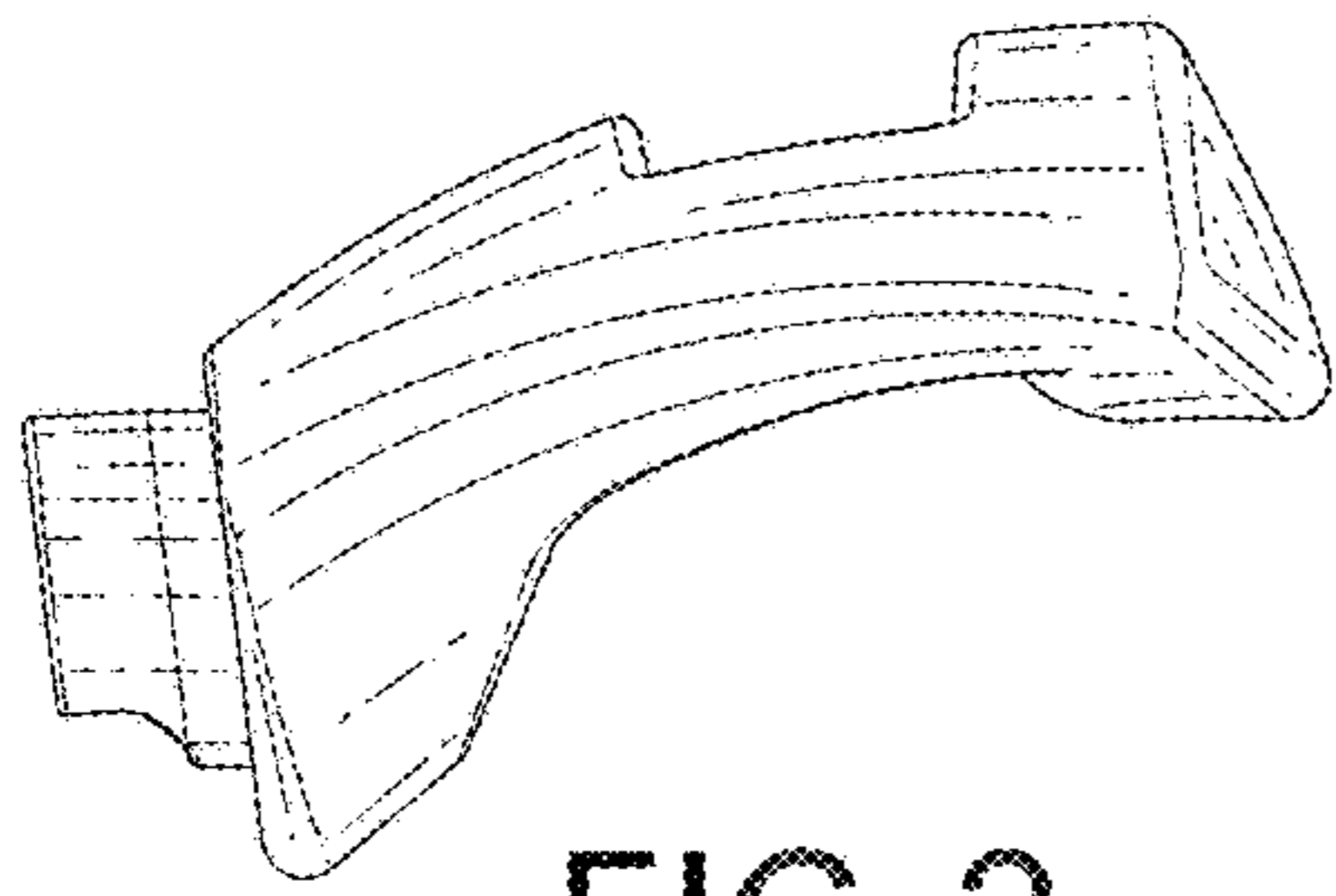


FIG. 2

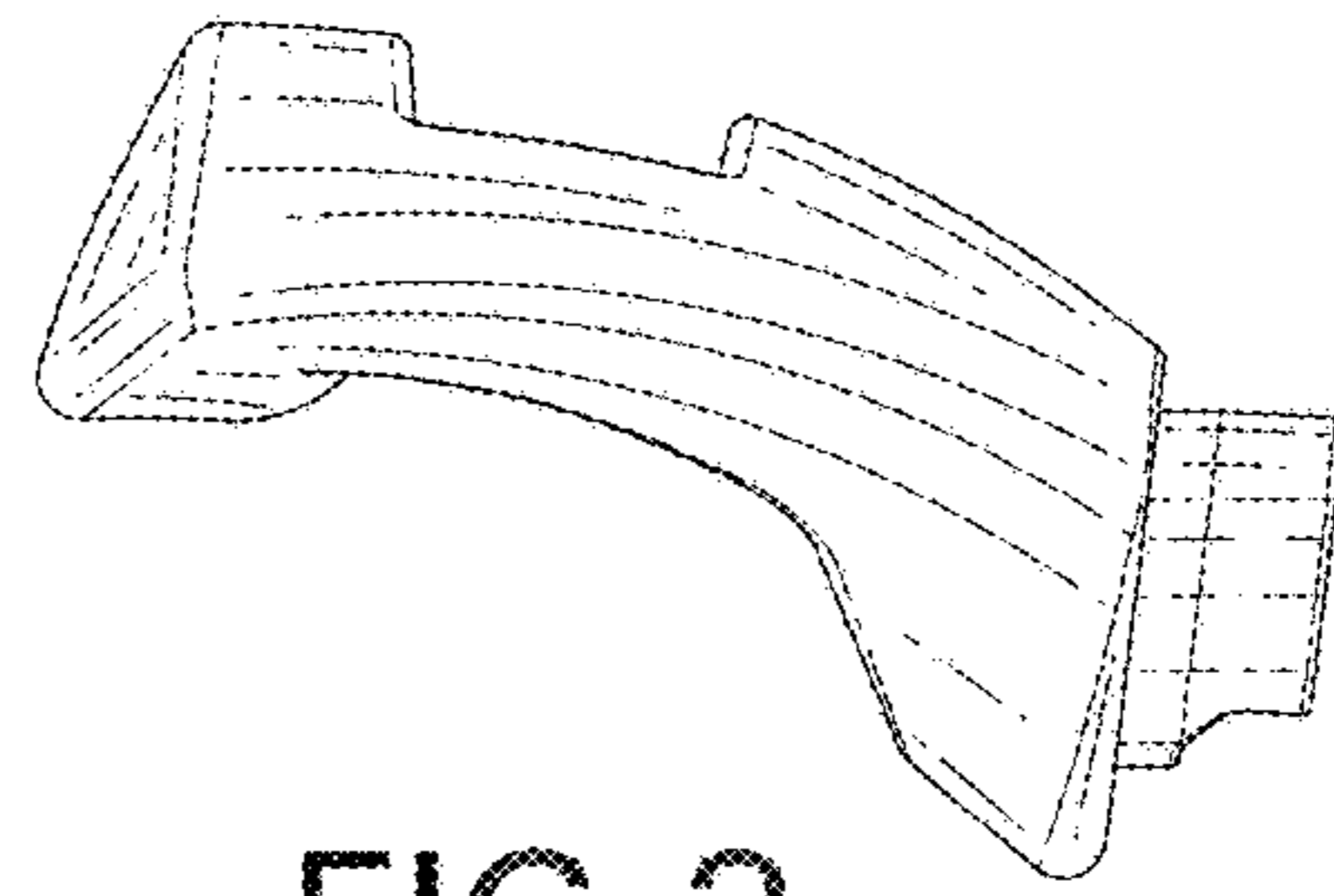


FIG. 3

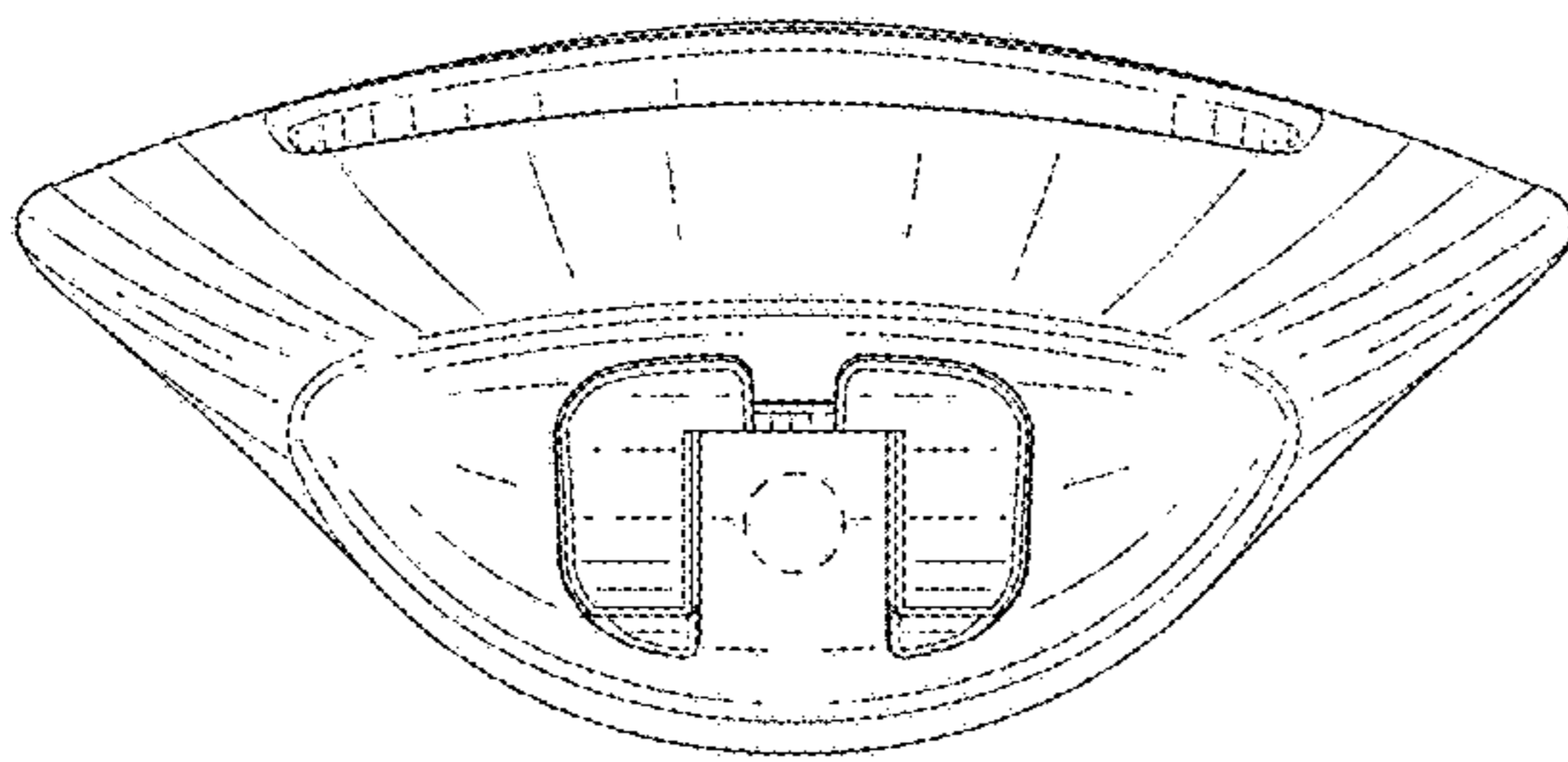


FIG. 4

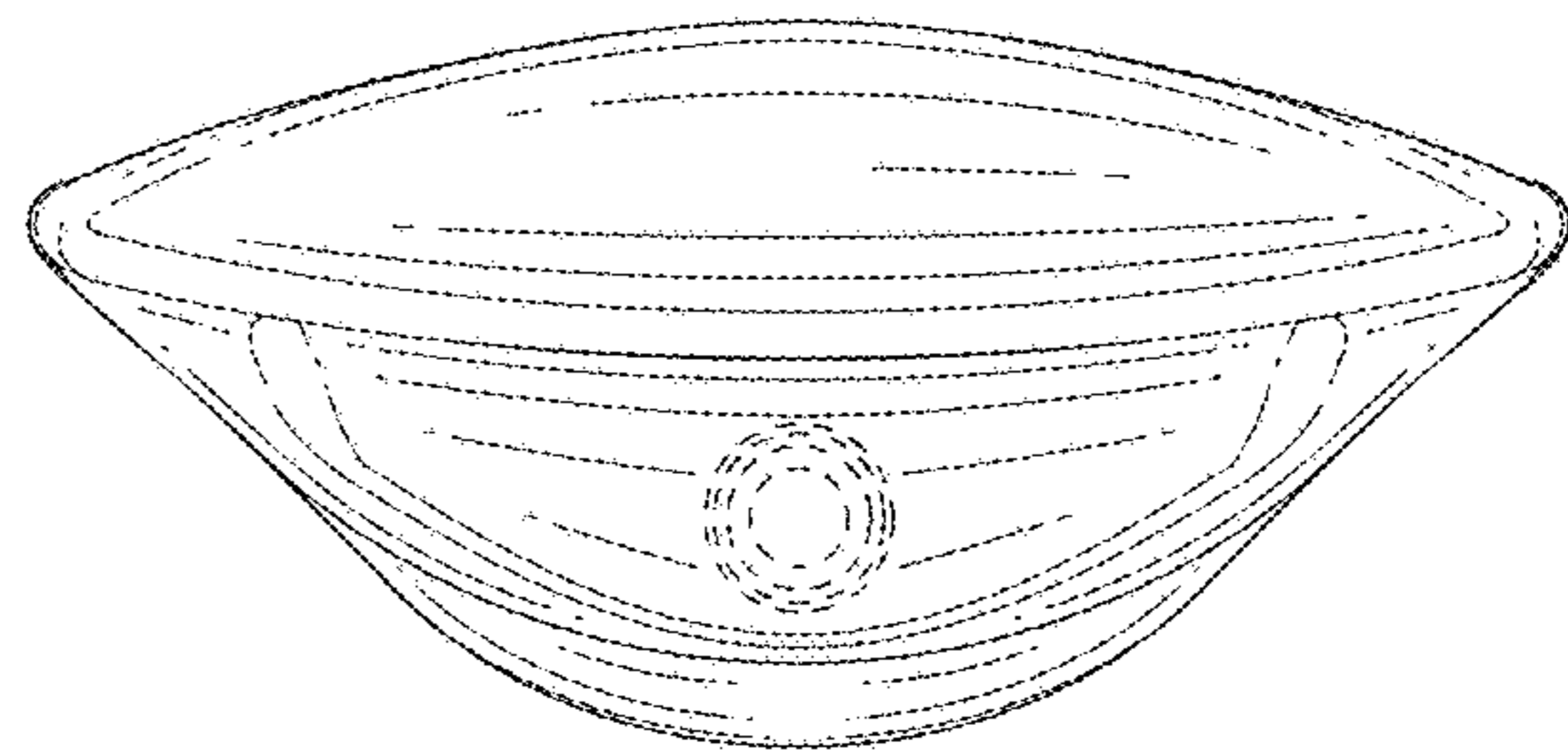


FIG. 5

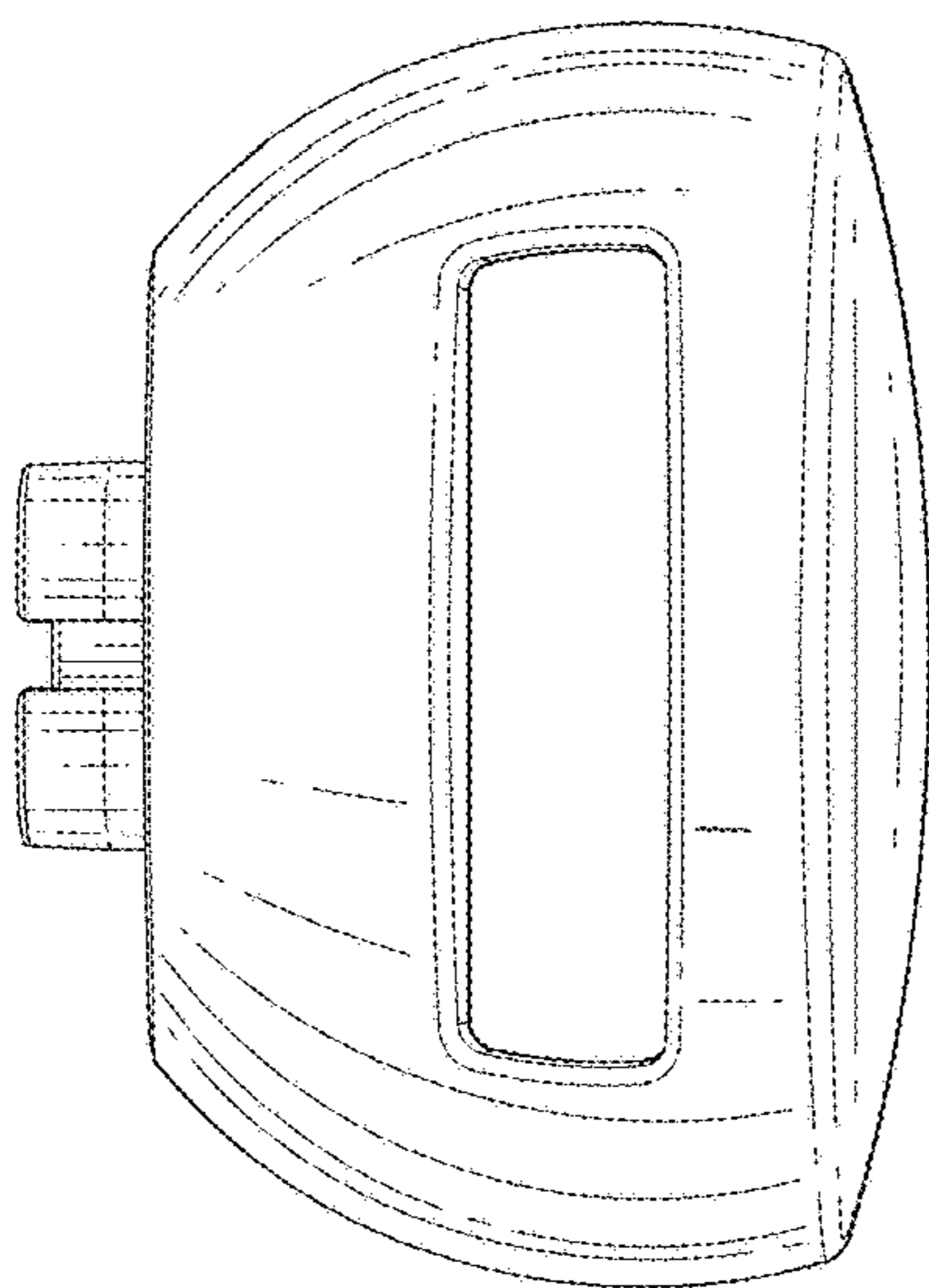


FIG. 6

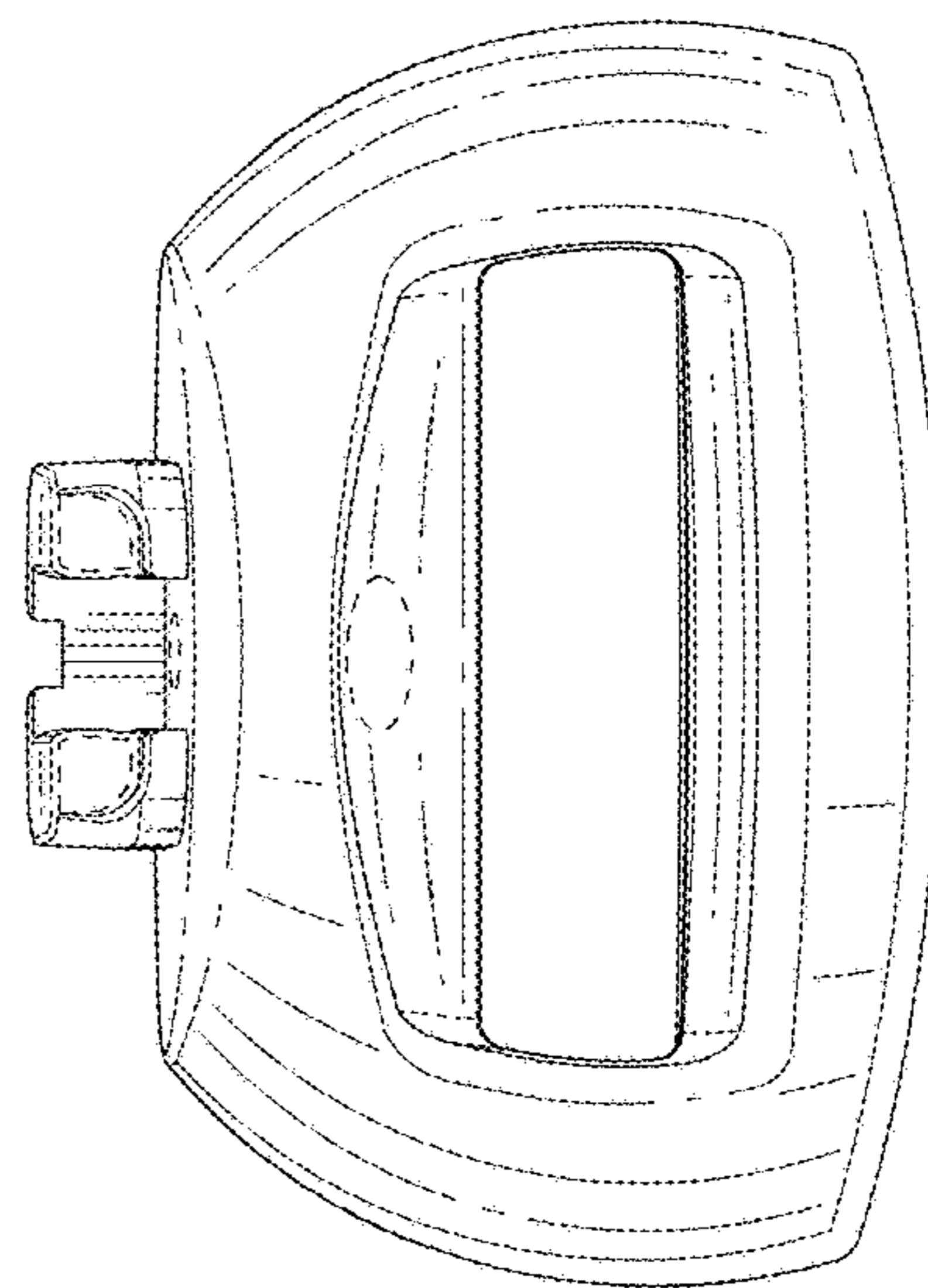


FIG. 7