



US00D830119S

(12) **United States Design Patent** (10) **Patent No.:** **US D830,119 S**  
**Sorensen et al.** (45) **Date of Patent:** **\*\* Oct. 9, 2018**

- (54) **LID FOR A CONTAINER**
- (71) Applicant: **RUNWAY BLUE, LLC**, Alpine, UT (US)
- (72) Inventors: **Steven M. Sorensen**, Alpine, UT (US);  
**David O. Meyers**, East Layton, UT (US)
- (73) Assignee: **Runway Blue, LLC**, Alpine, UT (US)
- (\*\*) Term: **15 Years**
- (21) Appl. No.: **29/614,992**
- (22) Filed: **Aug. 24, 2017**

D510,235 S	10/2005	Sorensen	
D626,837 S	11/2010	Meyers	
D626,838 S	11/2010	Meyers	
D628,483 S	12/2010	McKinney	
D644,065 S	8/2011	Llerena	
D646,919 S *	10/2011	Nilsson .....	B65D 47/148 D7/300.1
D656,357 S	3/2012	Enghard	
D666,047 S	8/2012	Lin	
D682,016 S	5/2013	Knight	
D683,575 S *	6/2013	Devlin .....	D7/300.1

(Continued)

*Primary Examiner* — Karen S Acker  
*Assistant Examiner* — Wendy L Arminio  
 (74) *Attorney, Agent, or Firm* — Maschoff Brennan; Paul G. Johnson

(57) **CLAIM**

The ornamental design for a lid for a container, as shown and described.

**DESCRIPTION**

FIG. 1 is an upper perspective view of a lid for a container, illustrating the lid in an open position;  
 FIG. 2 is a front view of the lid for a container shown in FIG. 1;  
 FIG. 3 is a back view of the lid for a container shown in FIG. 1;  
 FIG. 4 is a right side view of the lid for a container shown in FIG. 1;  
 FIG. 5 is a left side view of the lid for a container shown in FIG. 1;  
 FIG. 6 is a top view of the lid for a container shown in FIG. 1; and,  
 FIG. 7 is a bottom view of the lid for a container shown in FIG. 1.  
 The jagged broken lines in the middle of the flip-top feature depict the boundaries of the claim and form no part thereof. All other broken lines depict portions of the lid for a container that form no part of the claimed design.

**1 Claim, 7 Drawing Sheets**

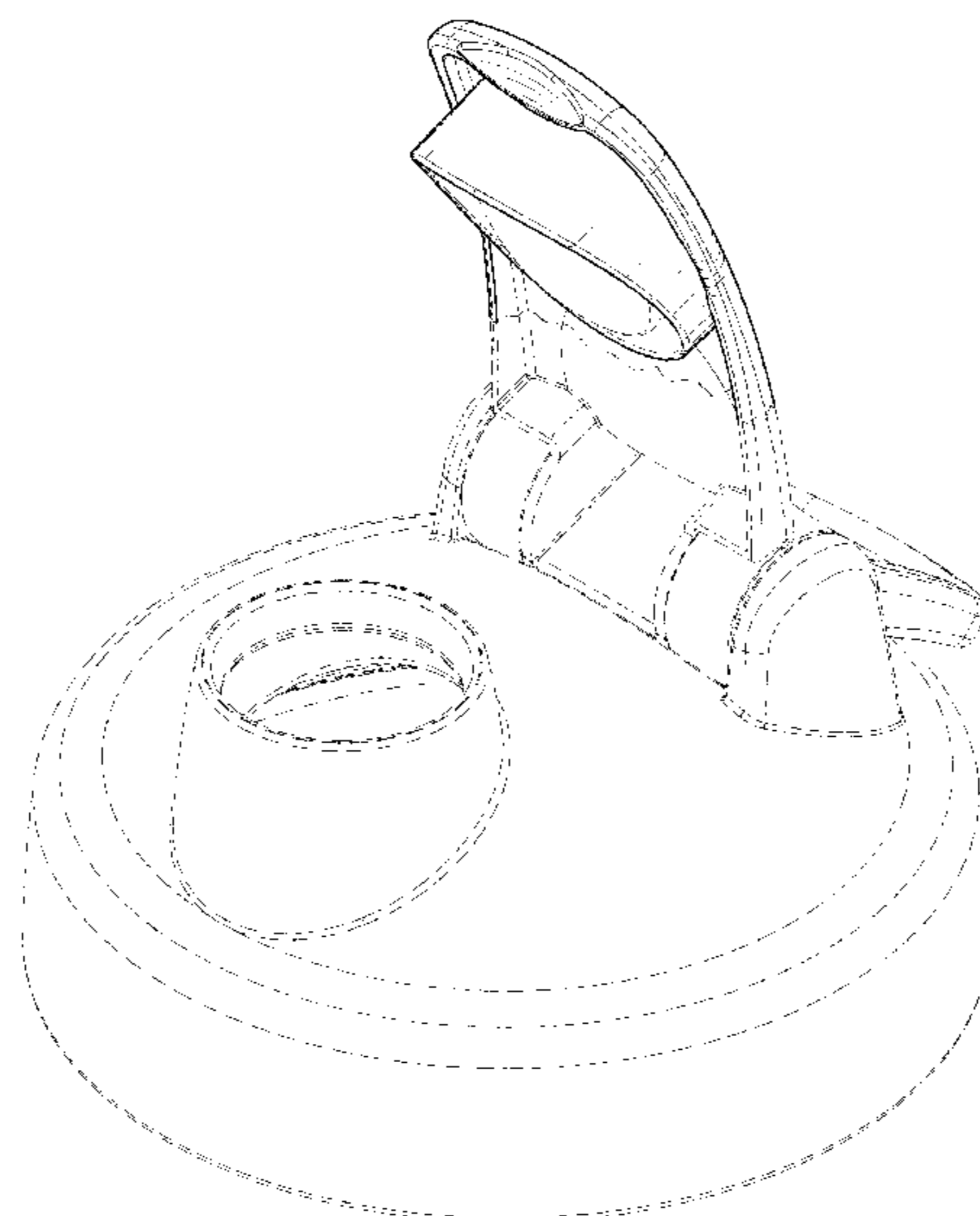
**Related U.S. Application Data**

- (62) Division of application No. 29/525,379, filed on Apr. 29, 2015.
- (51) **LOC (11) Cl.** ..... **07-99**
- (52) **U.S. Cl.**  
USPC ..... **D7/392.1**; D9/443; D9/449
- (58) **Field of Classification Search**  
USPC ..... D9/429, 434-436, 439-454, 499, 600, D9/601, 614-617, 620, 623, 624, 628; D7/387, 392, 393, 396.2, 510, 511, D7/514-517, 598, 599, 612.2, 623, 628, D7/392.1; D3/202, 294, 318  
CPC ..... A61J 1/1412; B65D 1/02; B65D 1/323; B65D 1/0246; B65D 25/40; B65D 25/42; B65D 25/44; B65D 41/56; B65D 41/62; B65D 47/06; B65D 47/08  
See application file for complete search history.

(56) **References Cited**

**U.S. PATENT DOCUMENTS**

3,297,208 A	1/1967	Swett
D356,499 S	3/1995	Cautereels
D417,583 S	12/1999	Demore



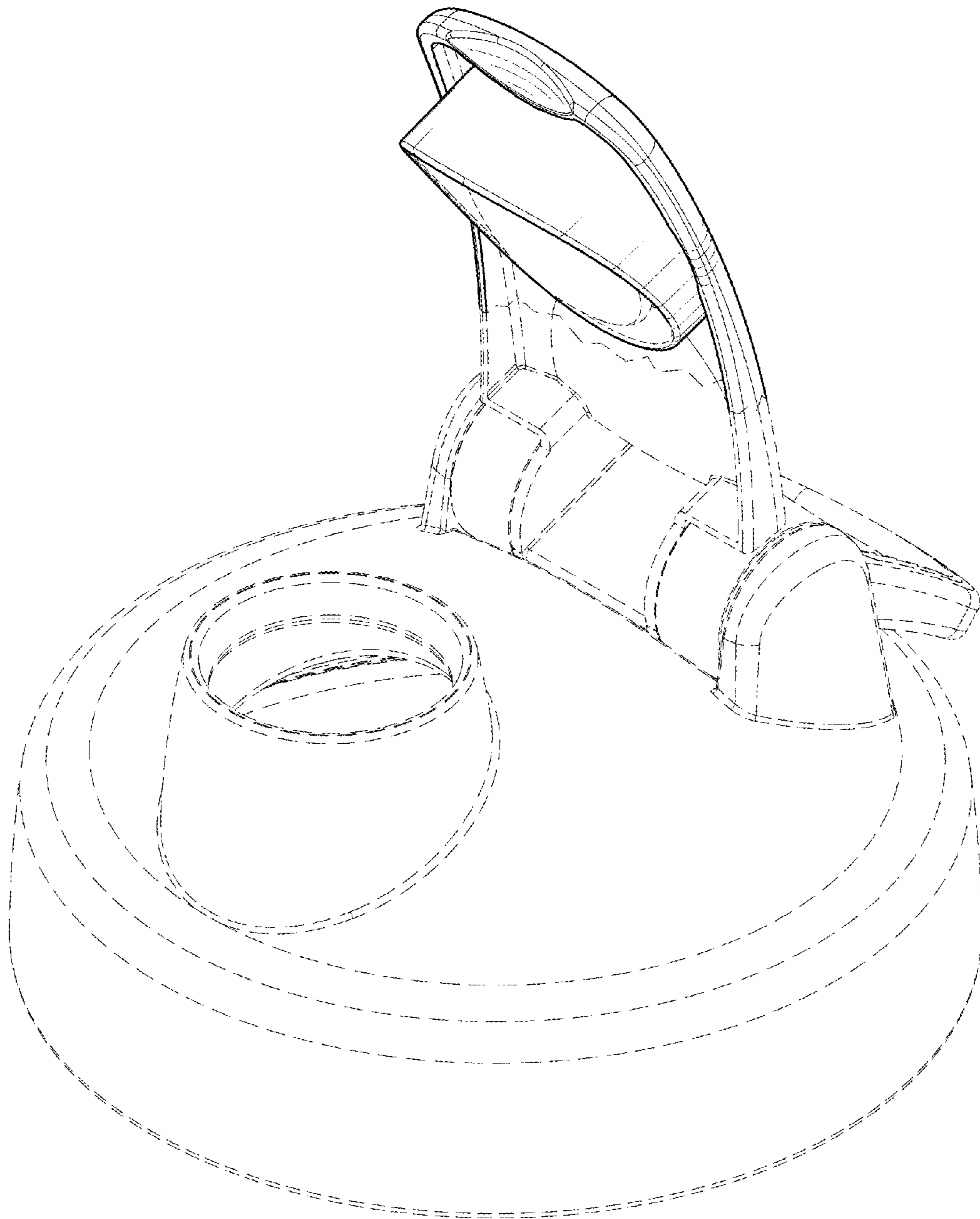
(56)

References Cited

U.S. PATENT DOCUMENTS

D690,989 S *	10/2013	Cetera .....	D7/392.1	D752,382 S *	3/2016	Ksiazek .....	D7/392.1
D691,849 S	10/2013	Cetera		D758,127 S	6/2016	Zhao	
D696,551 S	12/2013	Meyers		D766,029 S *	9/2016	Lin .....	D7/300.1
D697,798 S	1/2014	Sorensen		D768,491 S	10/2016	Sorensen	
D699,996 S	2/2014	De Leo		D778,666 S	2/2017	De Leo	
8,695,830 B2	4/2014	Meyers		D779,872 S	2/2017	Bergstrom	
D723,916 S	3/2015	Hughes		D799,270 S *	10/2017	Polk, III .....	D7/510
D726,476 S *	4/2015	Ercanbrack .....	D7/300.1	2005/0045634 A1 *	3/2005	Ward .....	A47G 19/2272 220/254.3
D730,694 S *	6/2015	Elsaden .....	D7/511	2011/0253733 A1	10/2011	Meyers	
D739,174 S	9/2015	Elsaden		2013/0062304 A1 *	3/2013	Meyers .....	B65D 43/00 215/240
D739,674 S	9/2015	Bergstrom		2014/0069918 A1	3/2014	Meyers	
D742,230 S	11/2015	Charles		2014/0091086 A1 *	4/2014	Sorensen .....	A47G 19/2205 220/4.27
D745,827 S	12/2015	Sorensen		2014/0360908 A1	12/2014	Sorensen	
9,216,843 B2	12/2015	Sorensen		2015/0201773 A1 *	7/2015	Sorensen .....	A47J 43/27 220/254.5
D747,624 S	1/2016	Walker		2015/0201775 A1	7/2015	Sorensen	
D748,430 S	2/2016	Sorensen		2017/0225850 A1 *	8/2017	Sorensen .....	B65D 47/0895
D748,478 S	2/2016	Sorensen					
D748,943 S	2/2016	Miller					

\* cited by examiner



**FIG. 1**

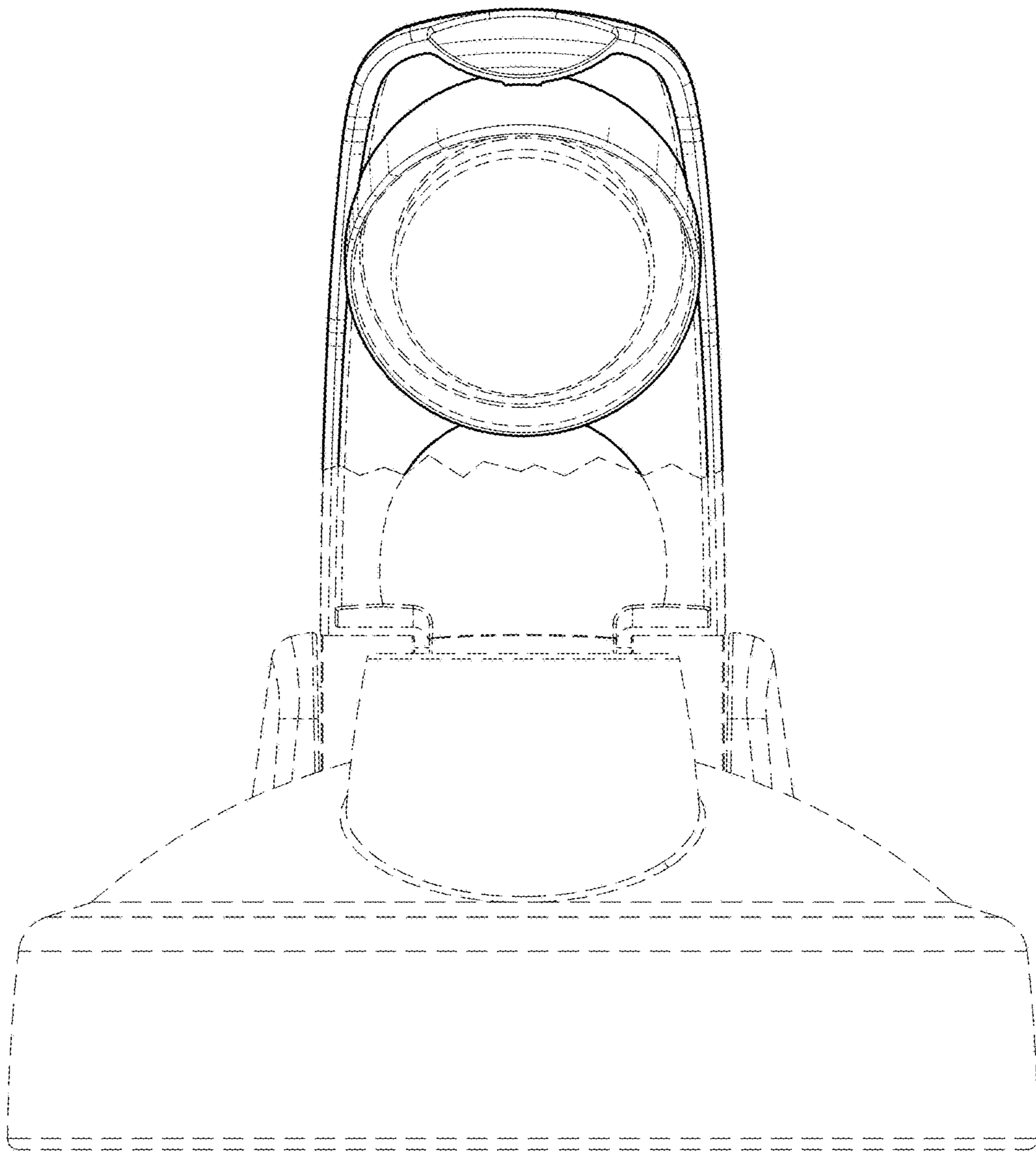
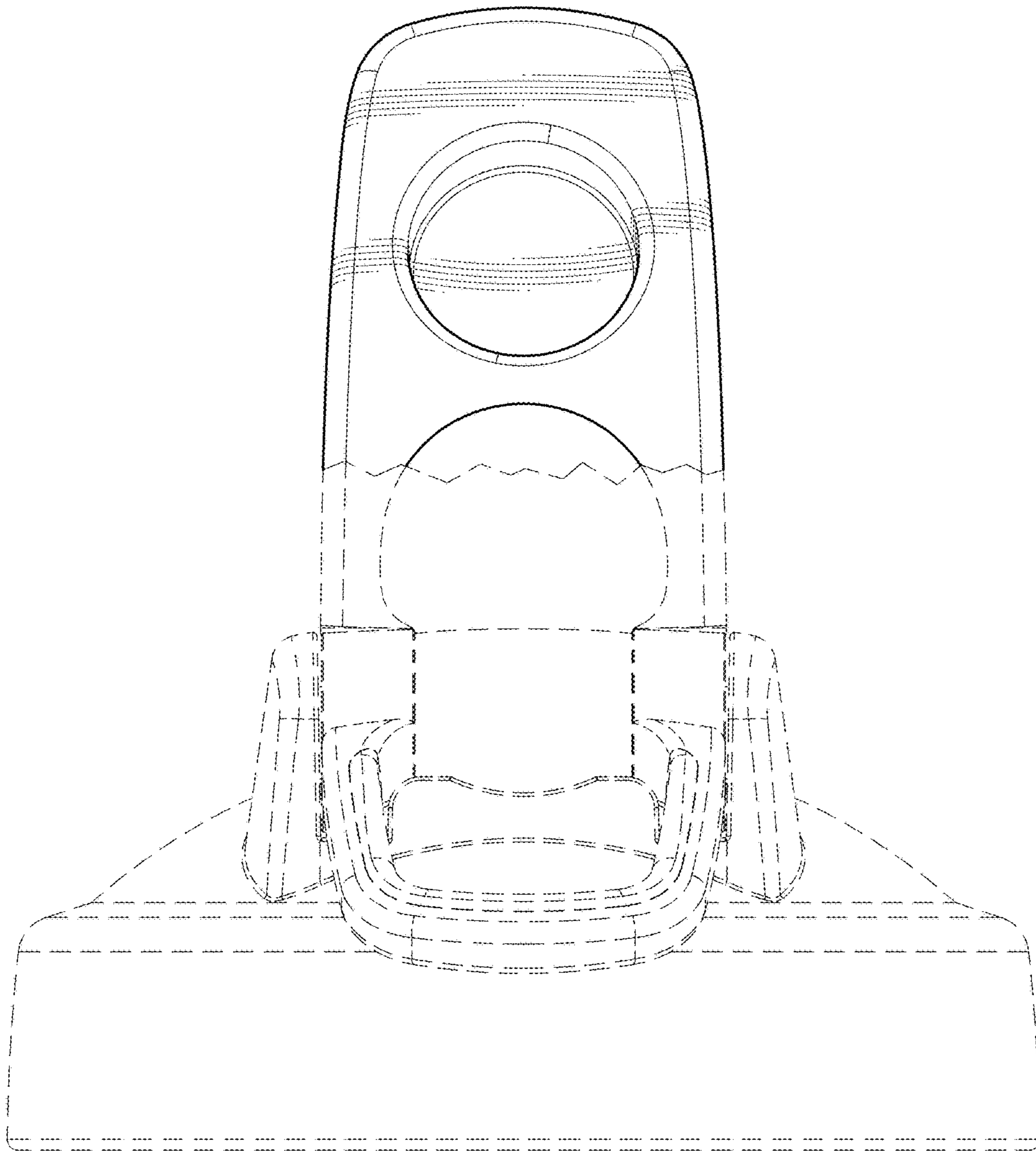
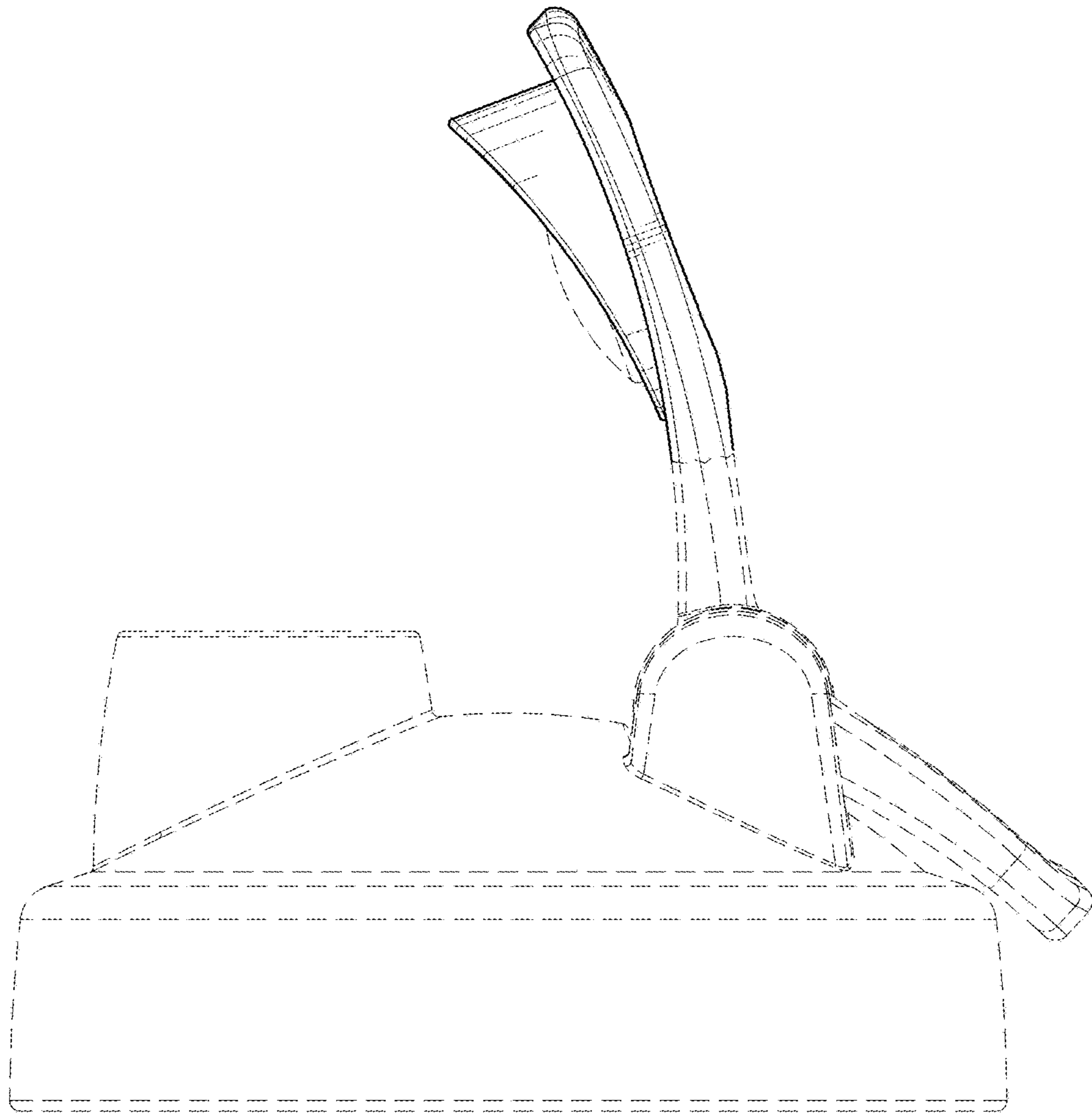


FIG. 2





**FIG. 3**



**FIG. 4**

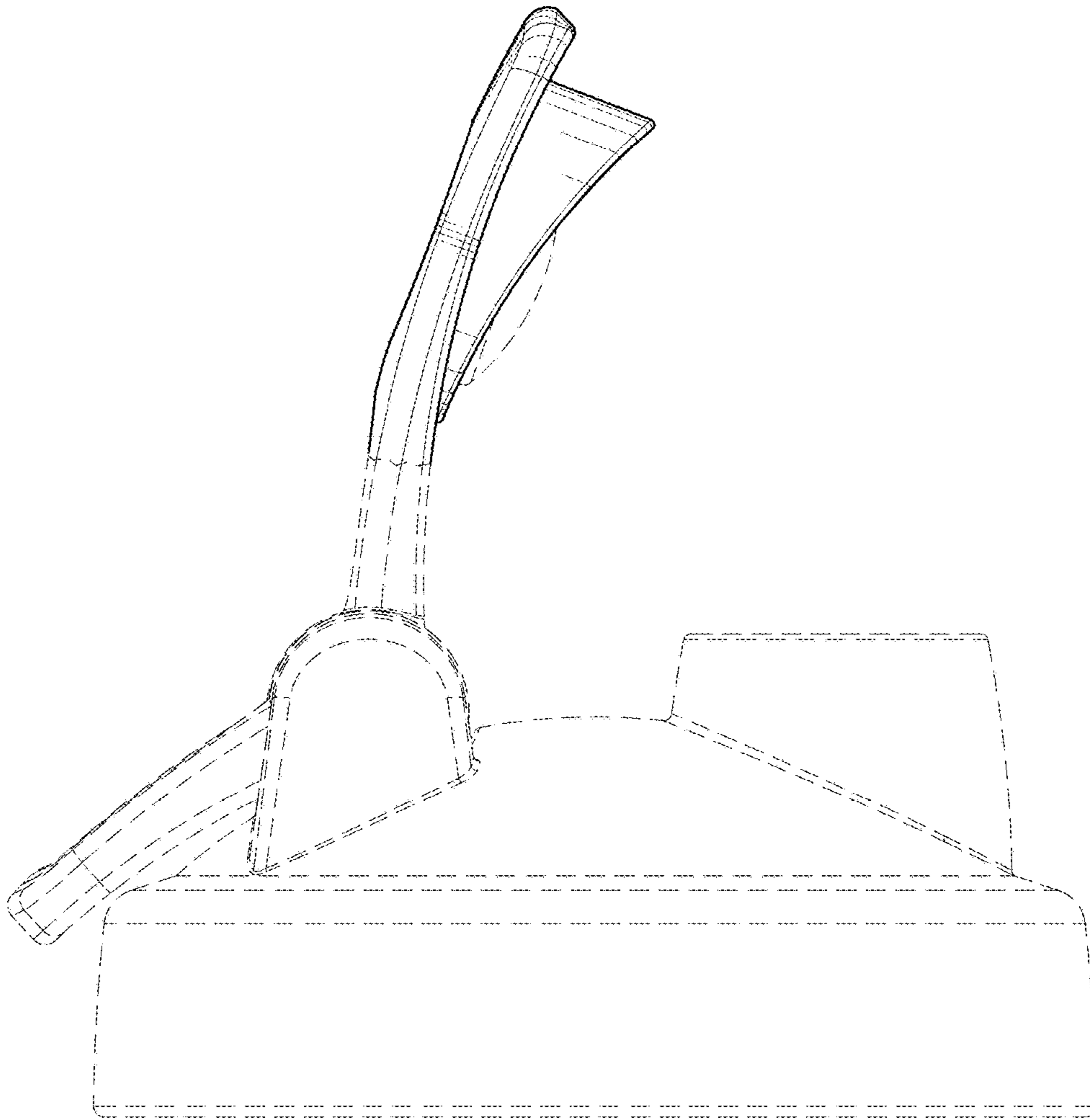
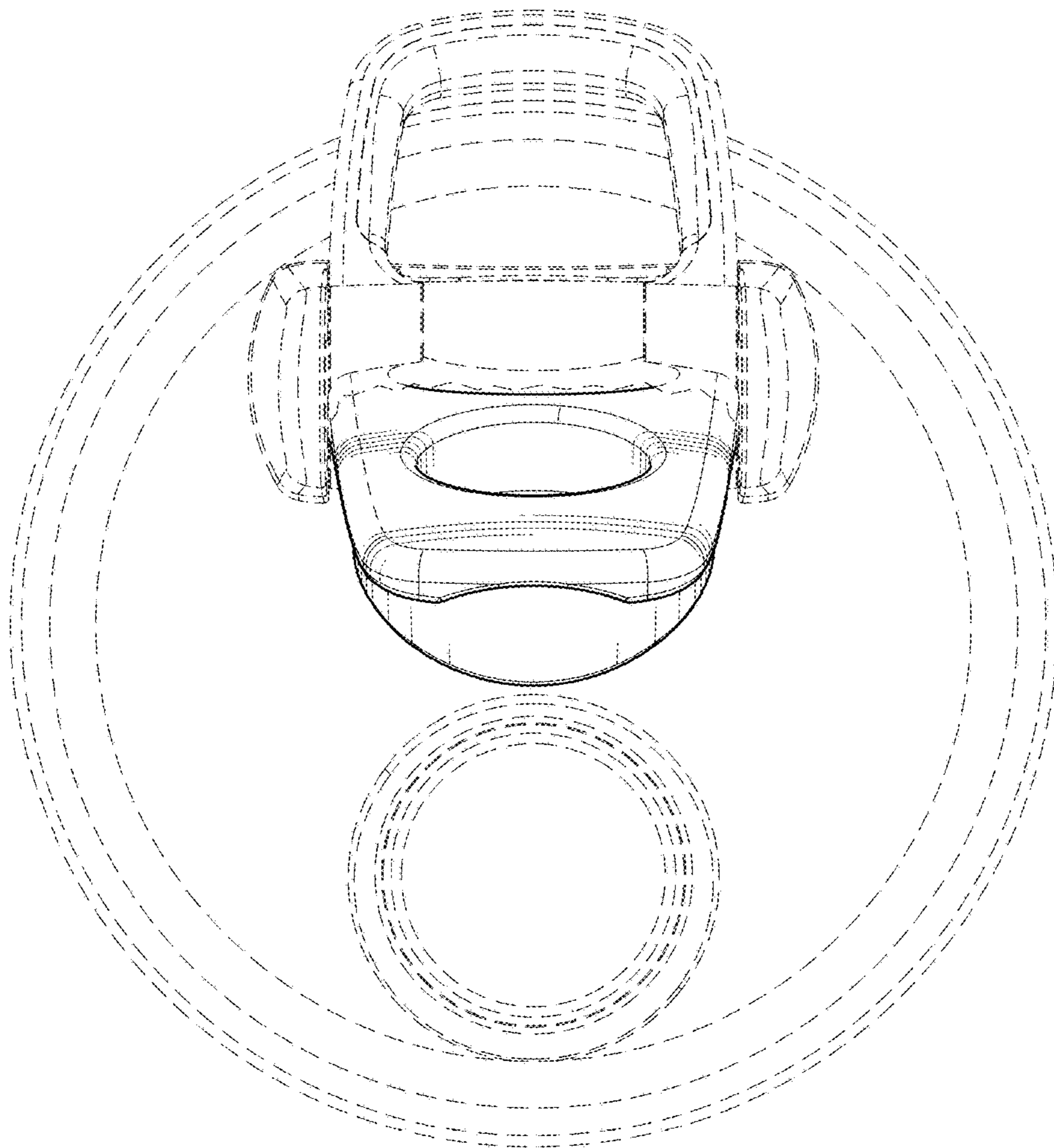


FIG. 5



**FIG. 6**



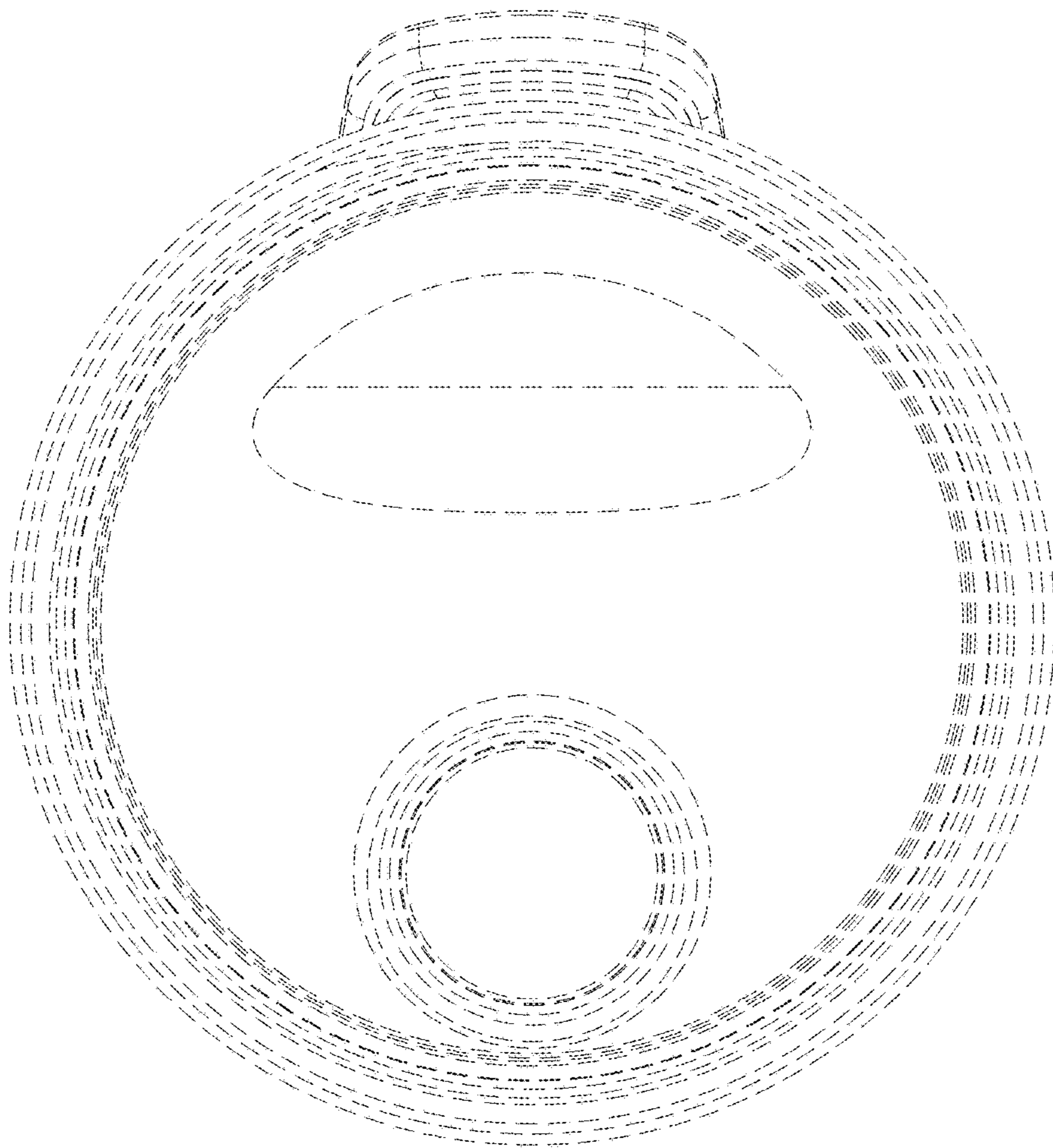


FIG. 7