



US00D830117S

(12) **United States Design Patent**
Shieh

(10) **Patent No.:** **US D830,117 S**

(45) **Date of Patent:** **** Oct. 9, 2018**

(54) **LID**
(71) Applicant: **LIFE & LIVING INTERNATIONAL LIMITED**, Hong Kong (CN)

(72) Inventor: **Jaw-Chyi Shieh**, Hong Kong (CN)

(73) Assignee: **LIFE & LIVING INTERNATIONAL LIMITED**, Kowloon Bay (HK)

(**) Term: **15 Years**

(21) Appl. No.: **29/598,372**

(22) Filed: **Mar. 24, 2017**

(51) **LOC (11) Cl.** **07-99**

(52) **U.S. Cl.**
USPC **D7/391**

(58) **Field of Classification Search**
USPC D7/391, 412, 413, 393; D3/273, 276, D3/280, 282, 283, 284; D9/516, 558
CPC .. A47J 36/06; A47J 47/14; B65D 1/22; B65D 1/34; B65D 1/40; B65D 1/165; B65D 15/02; B65D 1/00; B65D 1/26
See application file for complete search history.

(56) **References Cited**

U.S. PATENT DOCUMENTS

D111,019 S *	8/1938	Dulany	D7/391
D133,936 S *	9/1942	Barnsteiner	220/212.5
D160,070 S *	9/1950	Carr	D7/360
D250,386 S *	11/1978	Tuggy	D7/391
D297,298 S *	8/1988	Sarnoff	D7/391
D375,225 S *	11/1996	Cousins	D7/391
D459,630 S *	7/2002	Arduini	D7/391
D480,600 S *	10/2003	Lillelund	D7/392.1
D538,586 S *	3/2007	Kaposi	D7/391
D615,860 S *	5/2010	Cero, Jr.	D9/443
D659,464 S *	5/2012	Albers	B65D 43/022 D7/354

D664,804 S *	8/2012	Cheng	D7/354
D701,422 S *	3/2014	Tai	D7/354
D722,246 S *	2/2015	Lee	D7/354

(Continued)

OTHER PUBLICATIONS

JIA Inc, [online], [site visited Feb. 7, 2017]. Available from Internet, URL: <https://www.jiaplus.com.tw/SalePage/Index/3691854>.*

(Continued)

Primary Examiner — Caron D Veynar

Assistant Examiner — Katrina N Gonzalez

(74) *Attorney, Agent, or Firm* — Muncy, Geissler, Olds & Lowe, P.C.

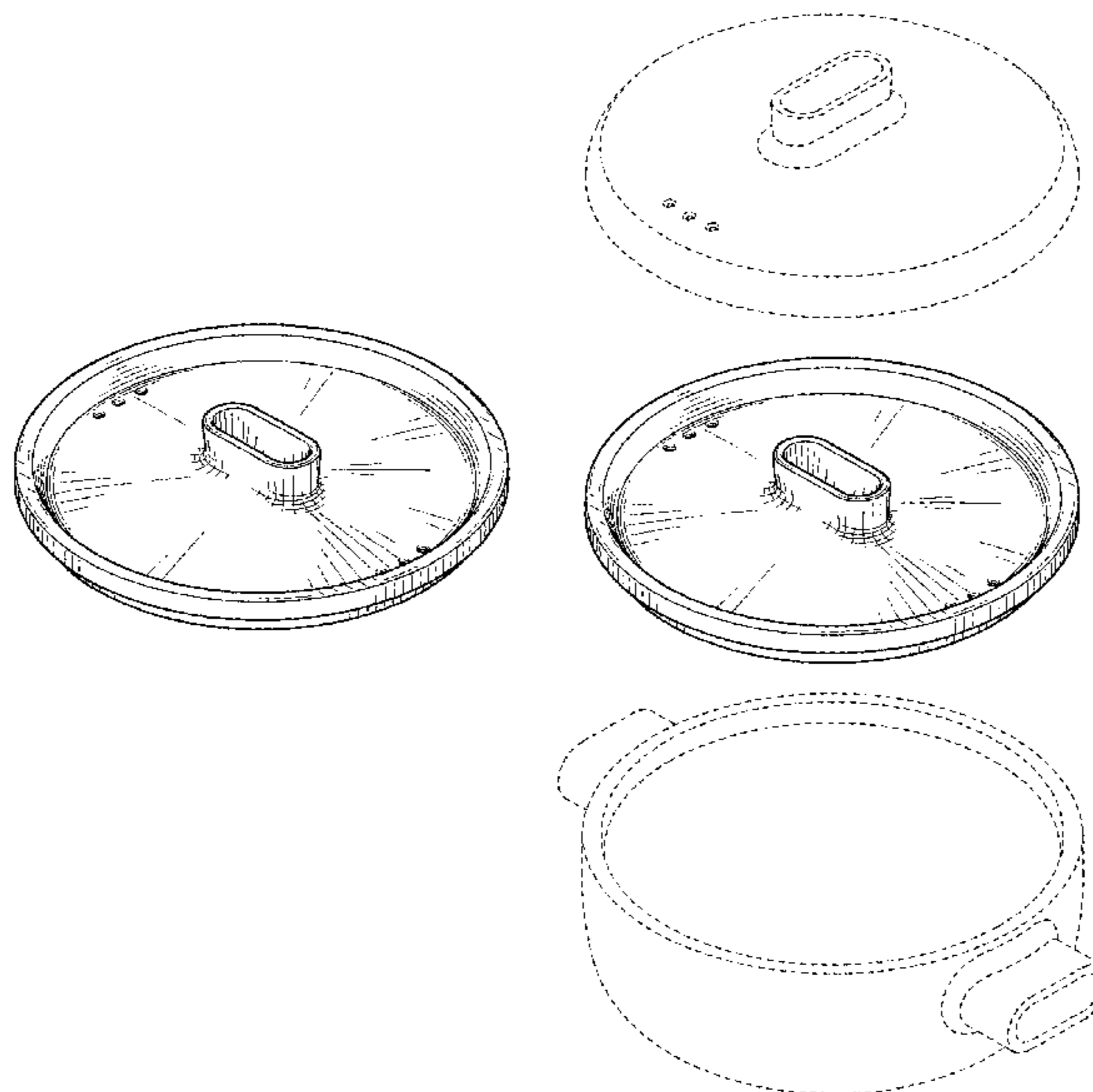
(57) **CLAIM**

I claim the ornamental design for a lid, as shown and described.

DESCRIPTION

FIG. 1 is a perspective view of a lid showing my new design; FIG. 2 is a front elevational view thereof, the rear being a mirror image; FIG. 3 is a left side view thereof, the right side being a mirror image; FIG. 4 is a top plan view thereof; FIG. 5 is a bottom plan view thereof; FIG. 6 is another perspective view of a lid showing my new design; FIG. 7 is a perspective view shown in a configuration of use; FIG. 8 is an exploded view shown from the top; FIG. 9 is an exploded view shown from the bottom; FIG. 10 is a front elevation view shown thereof; FIG. 11 is a left side view thereof; and, FIG. 12 is a right side view thereof. The broken-lines are shown for the purpose of illustrating environmental subject matter that forms no part of the claimed design.

1 Claim, 12 Drawing Sheets



(56)

References Cited

U.S. PATENT DOCUMENTS

D722,814 S * 2/2015 Heiberg D7/354
D744,776 S * 12/2015 Seyers D7/354
D757,486 S * 5/2016 Steiner D7/354
D759,425 S * 6/2016 Castriota D7/354
D763,036 S * 8/2016 Smart D7/354
D767,387 S * 9/2016 Wyatt D34/10
D805,836 S * 12/2017 Yessin D7/391
D807,112 S * 1/2018 Barea D7/391
2009/0090714 A1* 4/2009 Albers B65D 43/022
220/262
2009/0166369 A1* 7/2009 Savicki B65D 43/0218
220/781

OTHER PUBLICATIONS

Youtube, [online], [site visited Feb. 7, 2017]. Available from Internet, URL: <https://www.youtube.com/watch?v=LnD8ophXTsY>.*

* cited by examiner

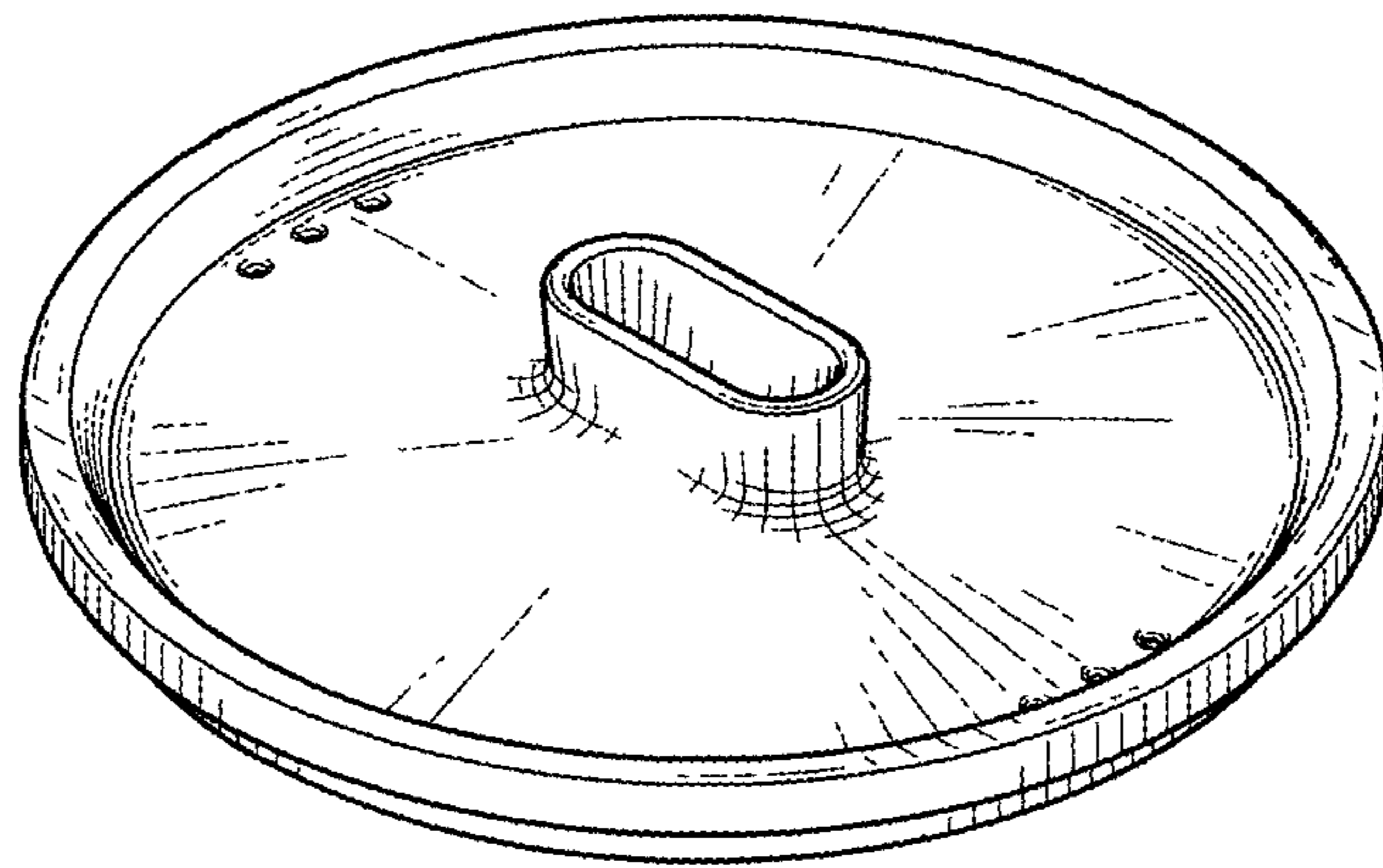


FIG. 1

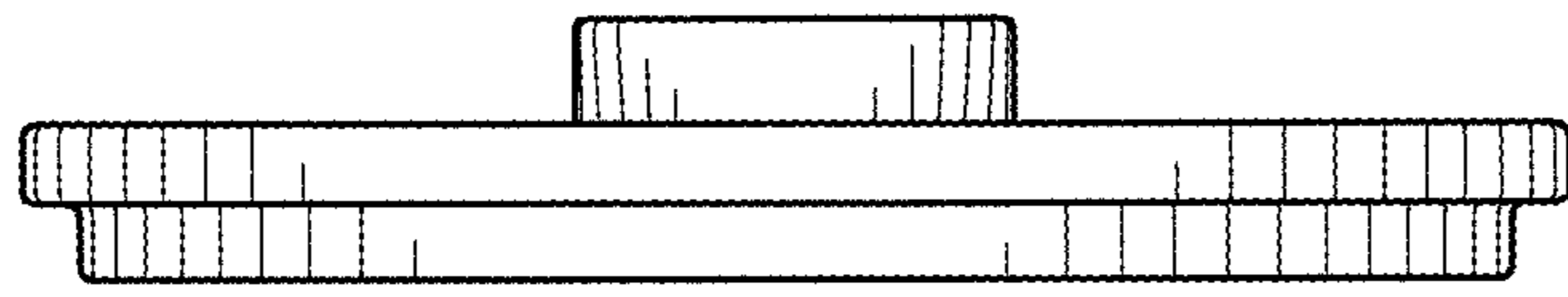


FIG. 2

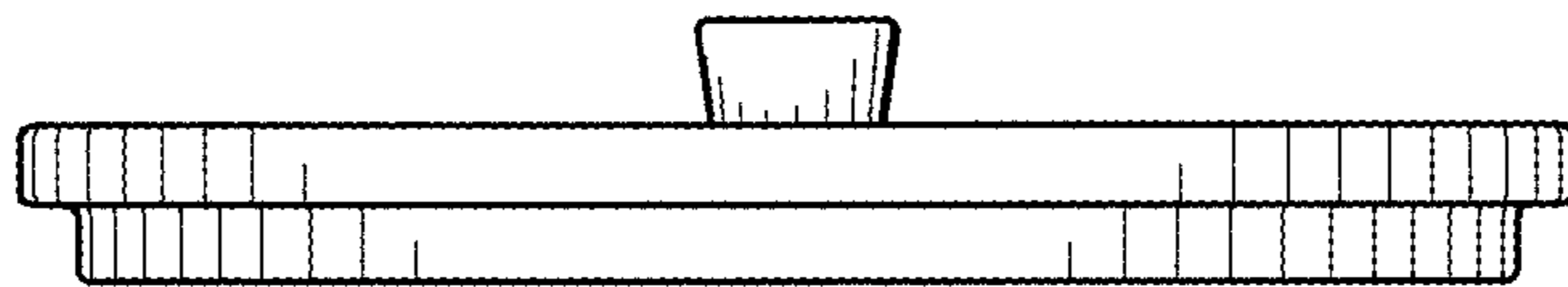


FIG. 3

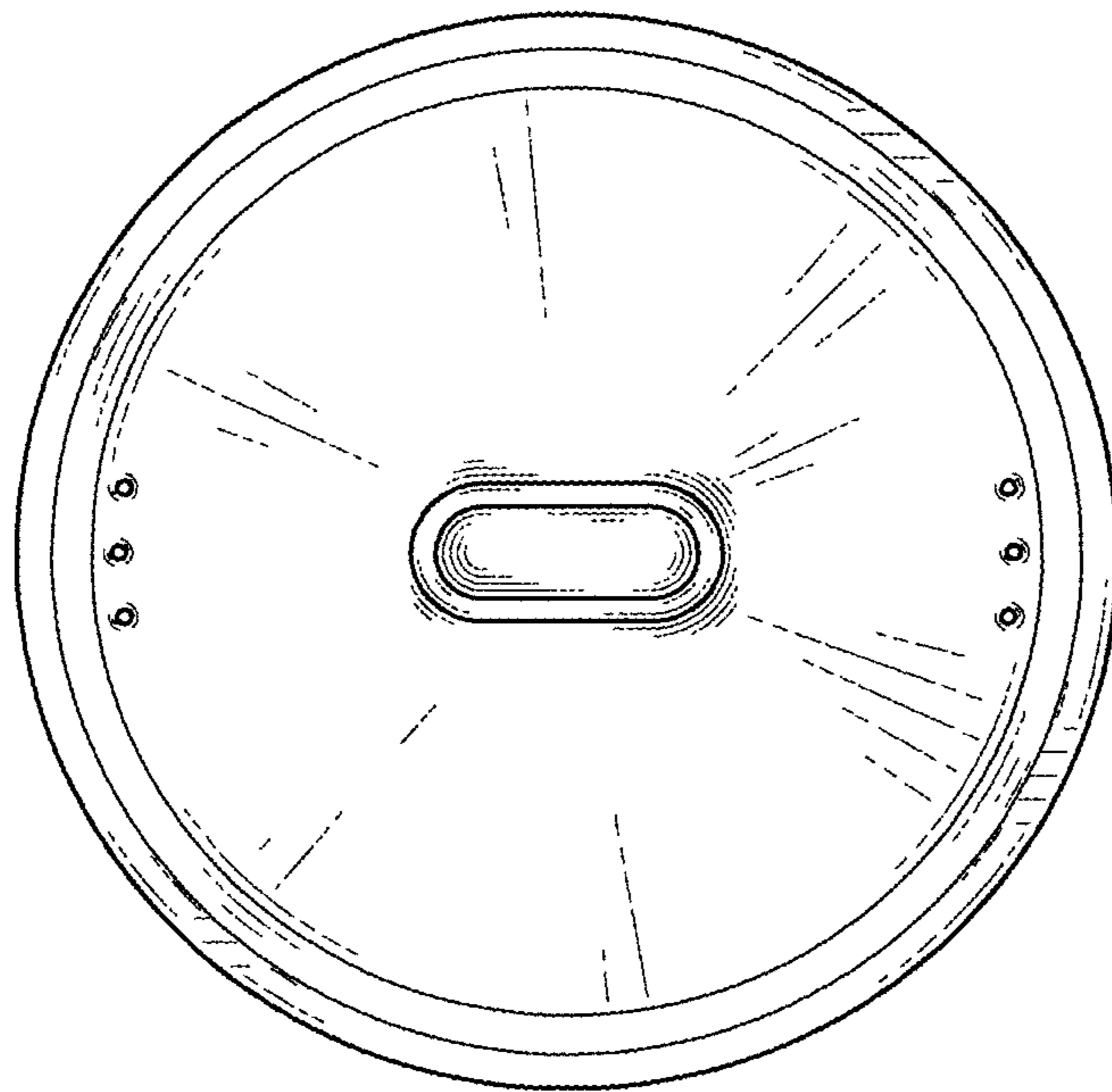


FIG. 4

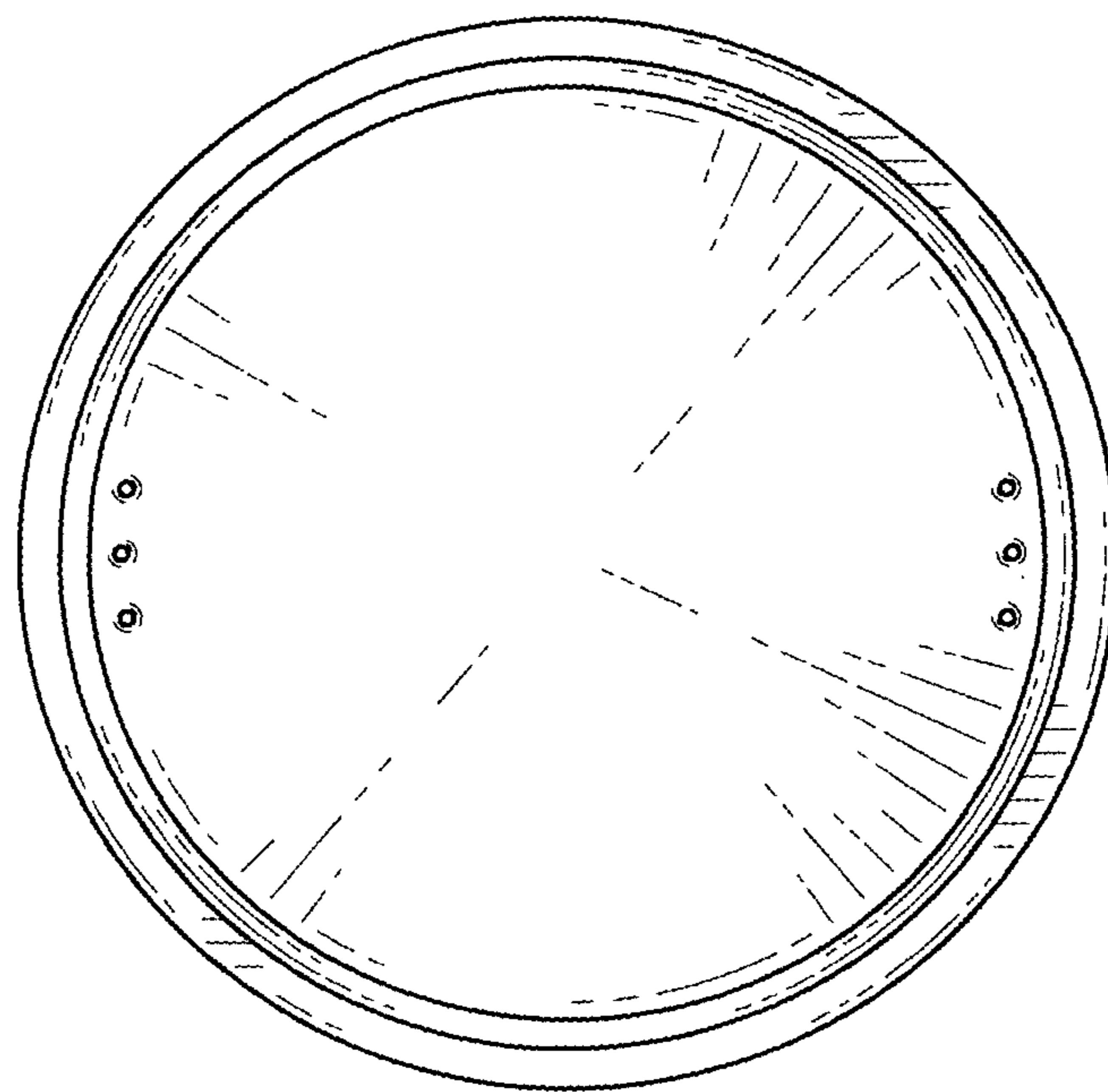


FIG. 5

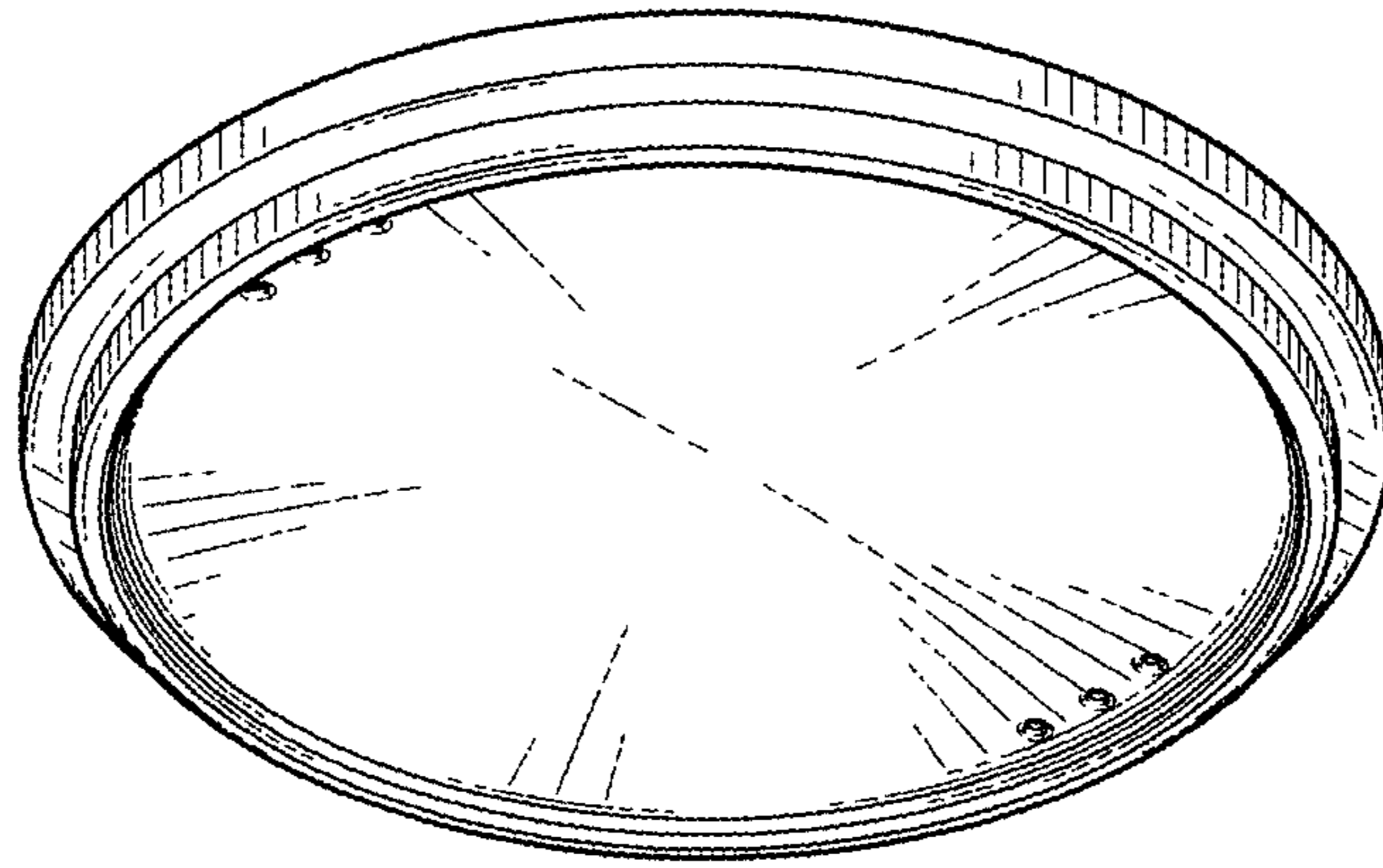


FIG. 6

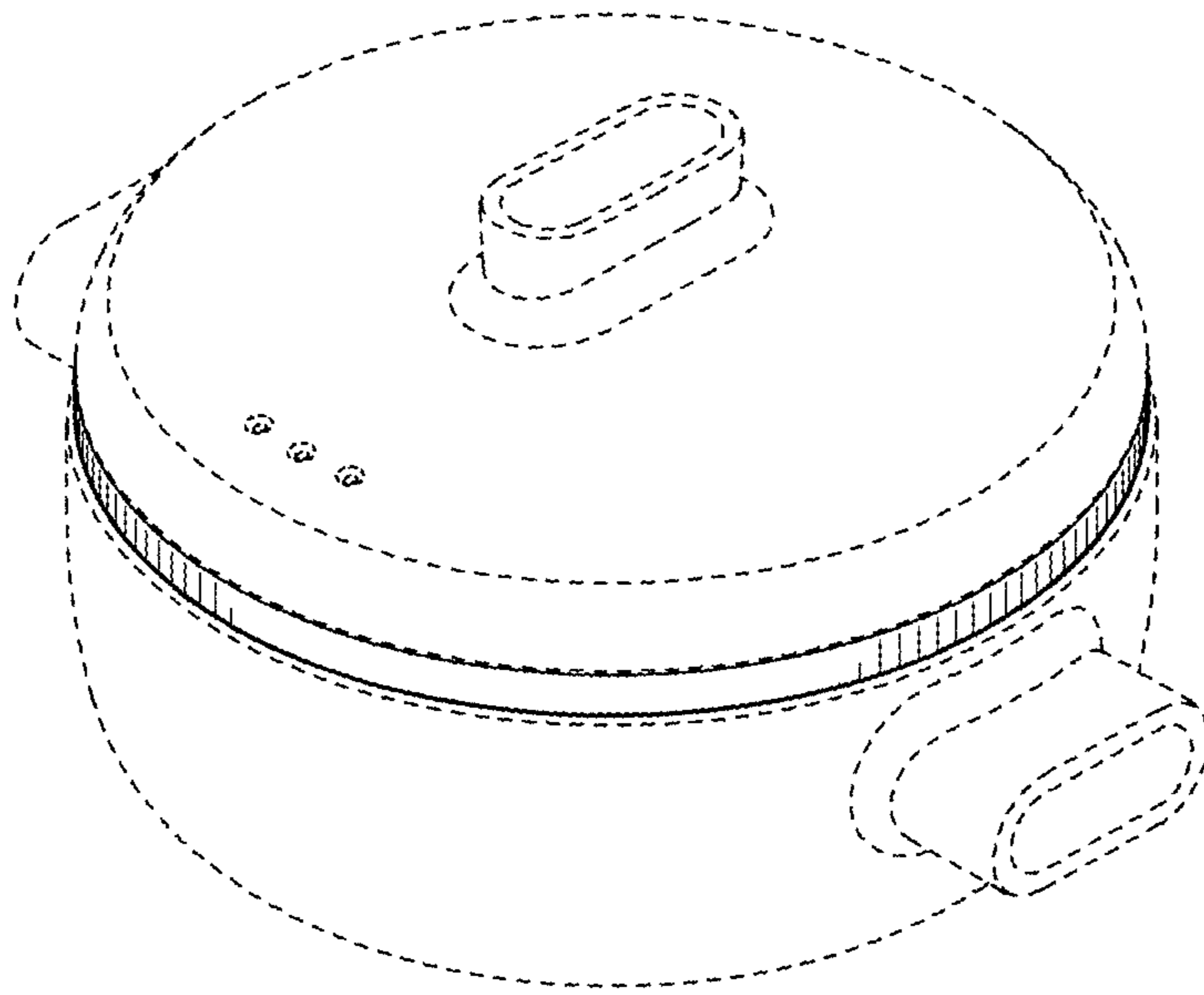


FIG. 7

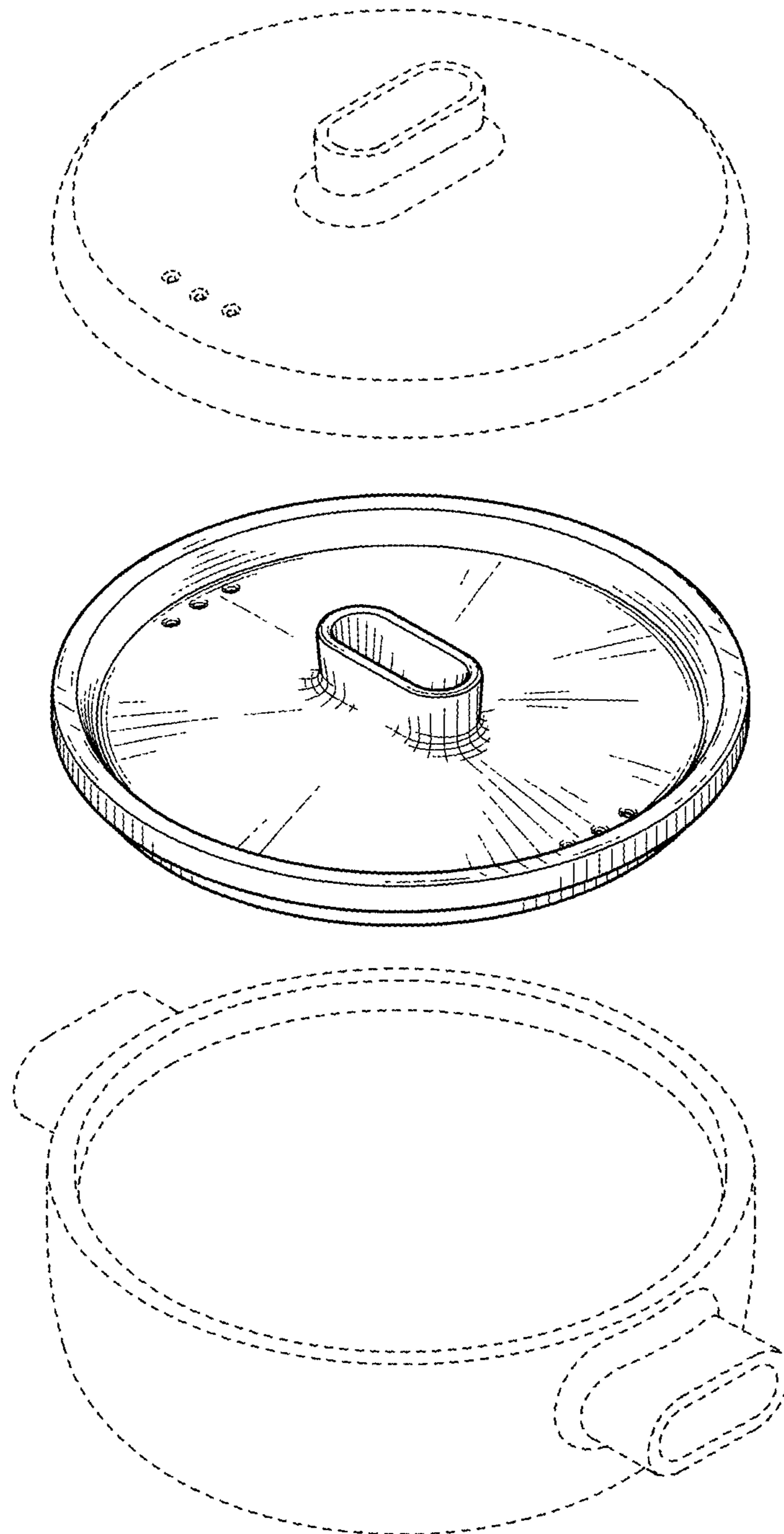


FIG. 8

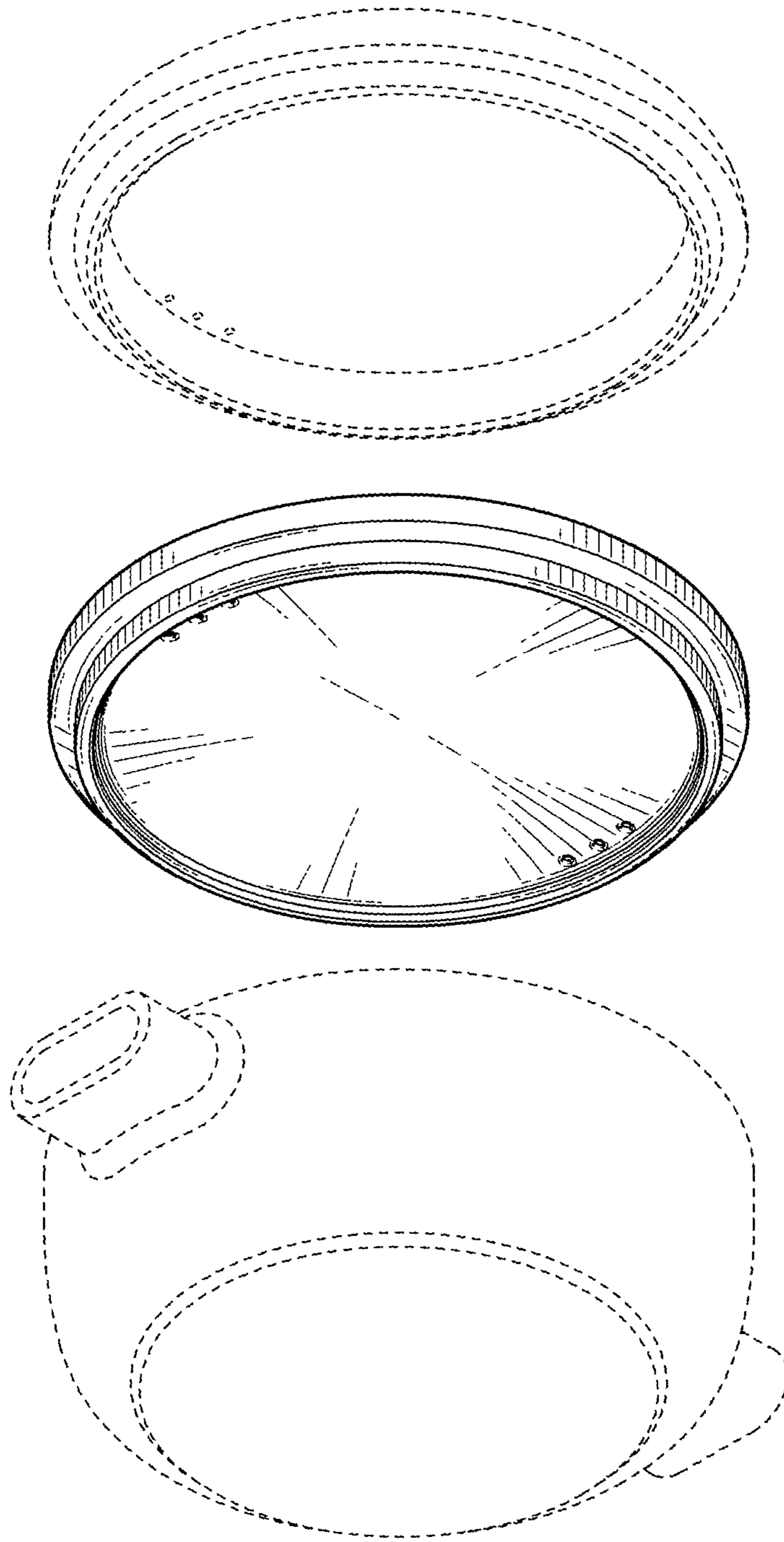


FIG. 9

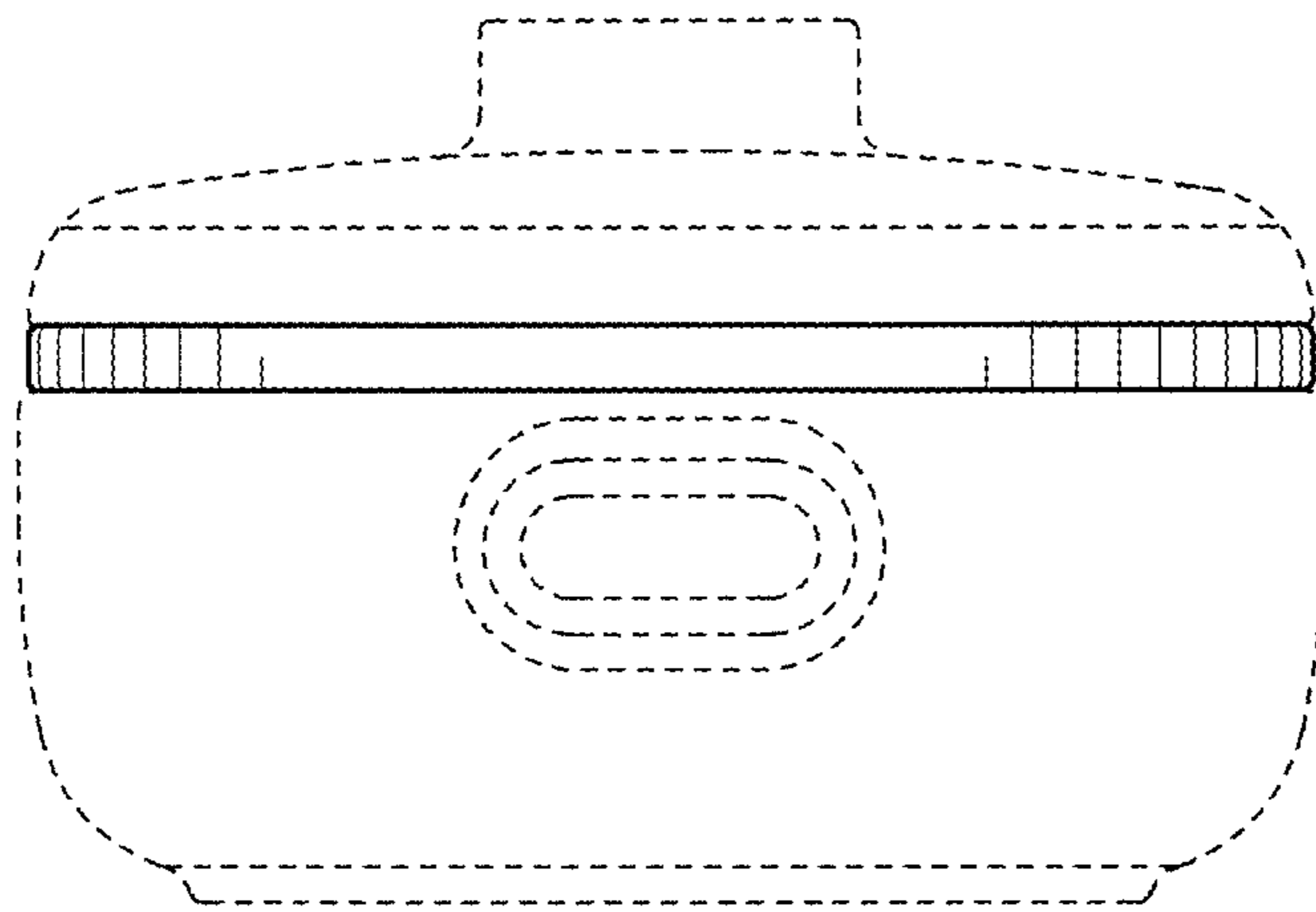


FIG. 10

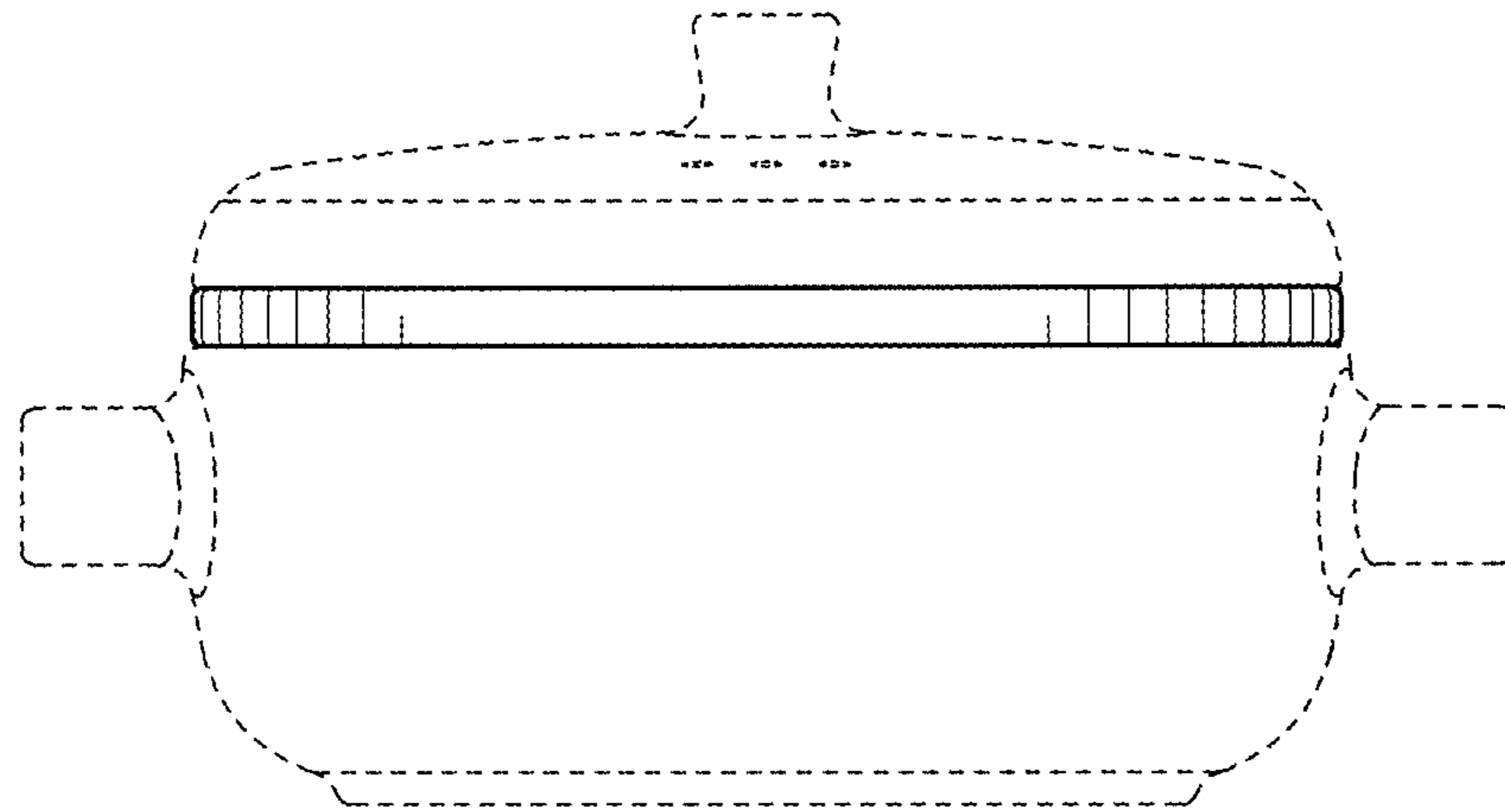


FIG. 11

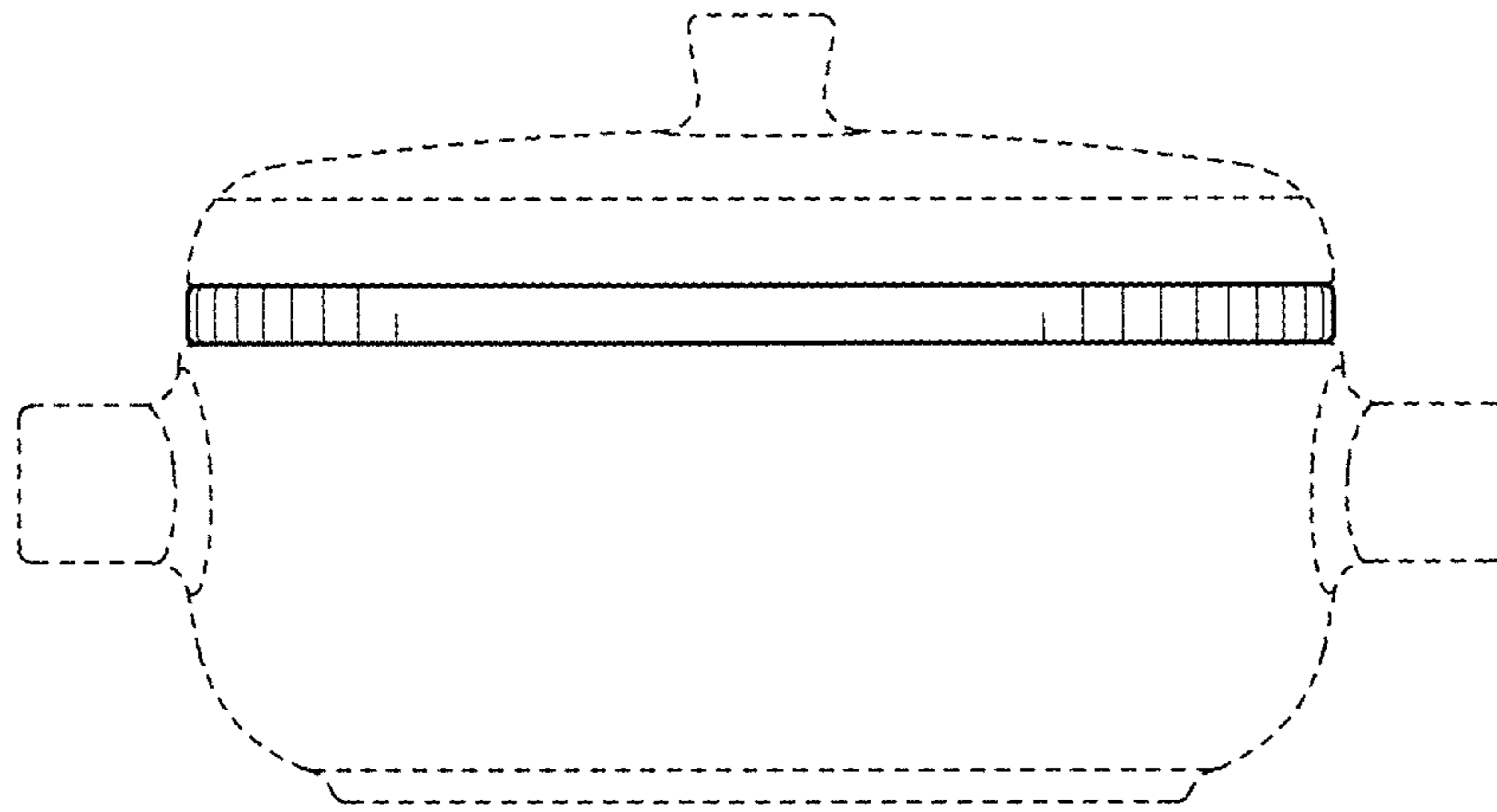


FIG. 12