



US00D830114S

(12) **United States Design Patent**  
**Fung**

(10) **Patent No.:** **US D830,114 S**

(45) **Date of Patent:** **\*\* Oct. 9, 2018**

(54) **STAND MIXER**

(71) Applicant: **Kam Fai Fung**, Hong Kong (CN)

(72) Inventor: **Kam Fai Fung**, Hong Kong (CN)

(73) Assignee: **CONAIR CORPORATION**, Stamford, CT (US)

(\*\*) Term: **15 Years**

(21) Appl. No.: **29/562,092**

(22) Filed: **Apr. 22, 2016**

(51) **LOC (11) Cl.** ..... **31-00**

(52) **U.S. Cl.**  
USPC ..... **D7/379**

(58) **Field of Classification Search**  
USPC ..... D7/372-385, 412-414, 669, 672,  
D7/678-679, 693; 99/537-538, 593  
CPC ... A21C 1/02; A21C 1/04; A47G 19/22; A47J  
43/042; A47J 43/04; A47J 43/25; A47J  
43/27; A23N 1/00; A23N 1/02  
See application file for complete search history.

(56) **References Cited**

**U.S. PATENT DOCUMENTS**

3,066,350	A *	12/1962	Quiring .....	A47J 43/06 173/205
4,822,172	A *	4/1989	Stottmann .....	A47J 43/082 366/142
4,893,942	A *	1/1990	Stottmann .....	A47J 43/082 366/279
D322,009	S *	12/1991	Doggett .....	D10/2
D322,010	S *	12/1991	Doggett .....	D10/2
5,570,955	A *	11/1996	Swartwout .....	B01F 7/001 366/139
D378,560	S *	3/1997	Myers .....	D7/376
D378,649	S *	4/1997	Myers .....	D7/376
D394,781	S *	6/1998	Doggett .....	D7/379
D395,572	S *	6/1998	Carroll .....	D7/379
D400,759	S *	11/1998	Doggett .....	D7/379

D436,497	S *	1/2001	Nalbandian .....	D7/379
D438,752	S *	3/2001	Po-Hei .....	D7/379
D447,907	S *	9/2001	Po-Hei .....	D7/379
D465,698	S *	11/2002	Allan .....	D7/379
D468,581	S *	1/2003	Short .....	D7/379
D469,303	S *	1/2003	Au .....	D7/379
D470,717	S *	2/2003	Kaiser .....	D7/379

(Continued)

*Primary Examiner* — Caron D Veynar

*Assistant Examiner* — Mehri F Bajoul

(74) *Attorney, Agent, or Firm* — Grogan, Tuccillo & Vanderleeden, LLP

(57) **CLAIM**

The ornamental design for a stand mixer, as shown and described.

**DESCRIPTION**

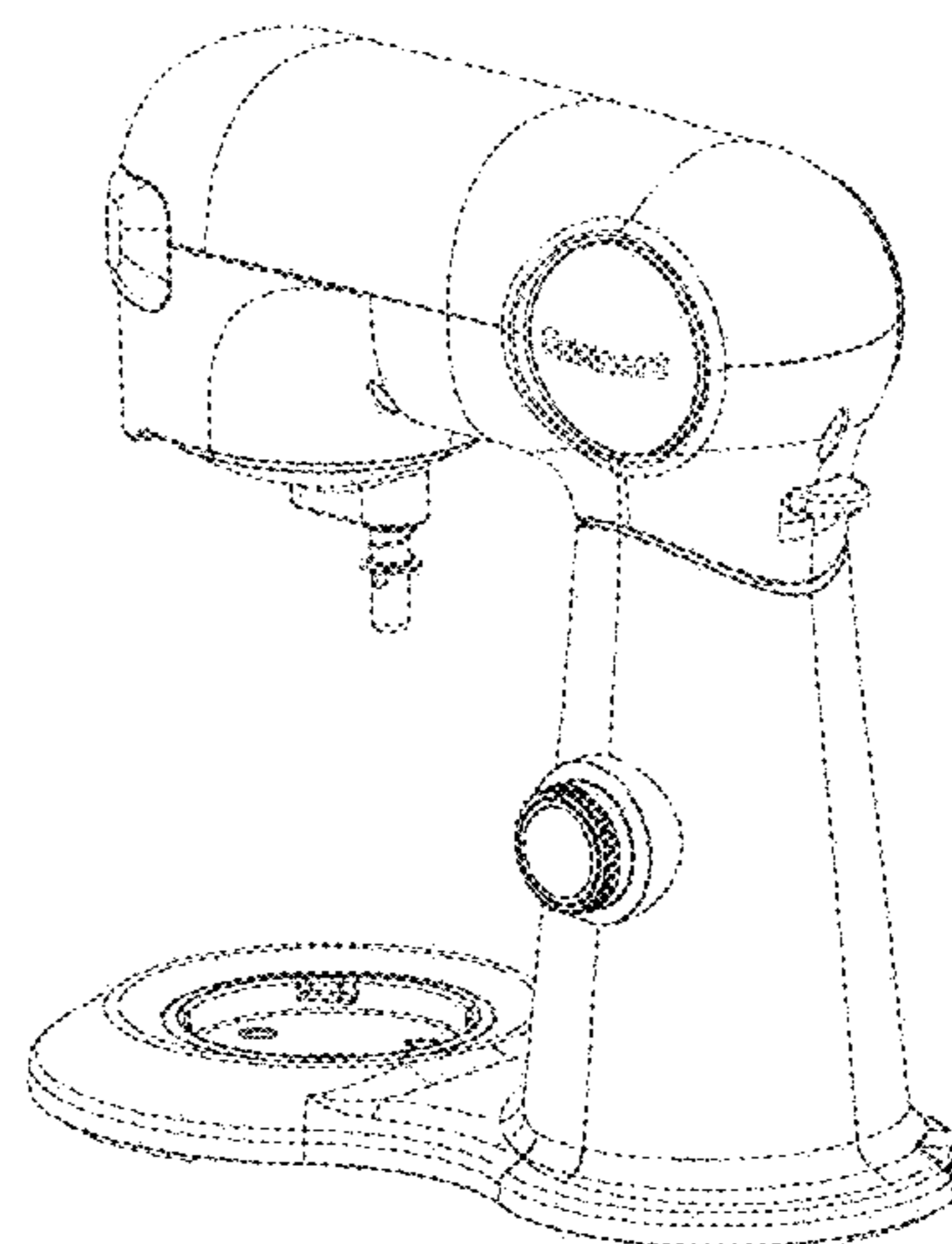
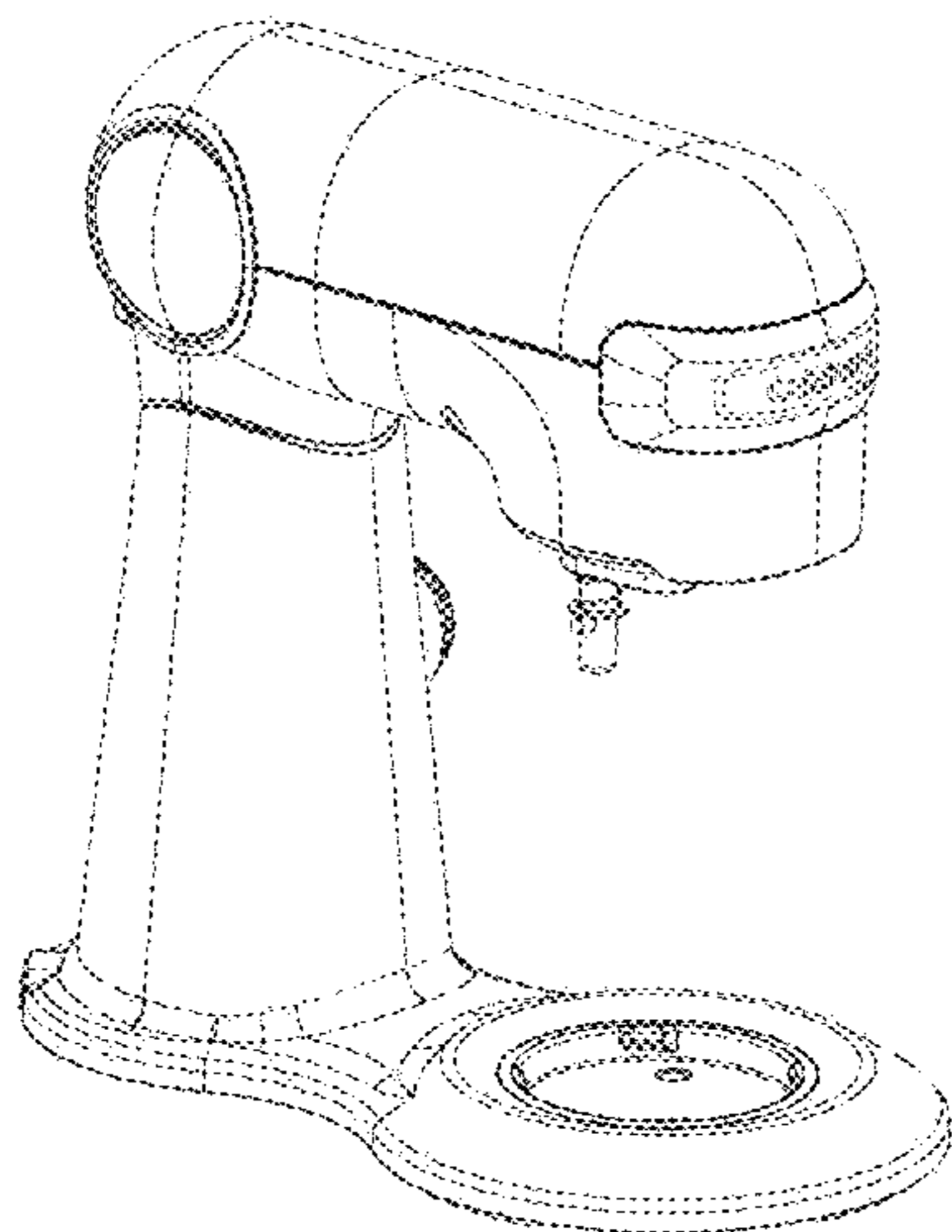
FIG. 1 is a left side elevational view of a stand mixer showing a new design; FIG. 2 is a front elevational view thereof; FIG. 3 is a right side elevational view thereof; FIG. 4 is a rear elevational view thereof; FIG. 5 is a top plan view thereof; FIG. 6 is a bottom plan view thereof; FIG. 7 is a left front side, perspective view thereof; FIG. 8 is a right rear side, perspective view thereof; FIG. 9 is a left rear side, perspective view thereof; and, FIG. 10 is a right front side, perspective view thereof.

In the drawings the broken lines are included to depict portions of the stand mixer that form no part of the claimed design.

The broken lines are for illustrative purposes only and form no part of the claimed design.

“Cuisinart” is a trademark owned by Conair Corporation, having business address at One Cummings Point Road Stamford, Conn. 06902. The trademark Cuisinart, as amended, is in broken lines and forms no part of the claimed design.

**1 Claim, 10 Drawing Sheets**



(56)

**References Cited**

## U.S. PATENT DOCUMENTS

D471,399	S	*	3/2003	Wilson	.....	D7/379
D482,564	S	*	11/2003	Short	.....	D7/379
D489,569	S	*	5/2004	Smith	.....	D7/379
D489,936	S	*	5/2004	Smith	.....	D7/379
D499,604	S	*	12/2004	Hooper	.....	D7/376
D499,926	S	*	12/2004	Cahen	.....	D7/300
D533,017	S	*	12/2006	Wilson	.....	D7/376
D551,494	S	*	9/2007	Feil	.....	D7/379
D564,297	S	*	3/2008	Short	.....	D7/376
D584,916	S	*	1/2009	Christou	.....	D7/376
D603,214	S	*	11/2009	Huang	.....	D7/376
D612,195	S	*	3/2010	Liu	.....	D7/379
D613,549	S	*	4/2010	Picozza	.....	D7/376
D615,348	S	*	5/2010	Huang	.....	D7/376
D616,699	S	*	6/2010	Hoare	.....	D7/376
D623,468	S	*	9/2010	Liu	.....	D7/378
D623,891	S	*	9/2010	Huang	.....	D7/376
D631,691	S	*	2/2011	Liu	.....	D7/376
D654,304	S	*	2/2012	Bodum	.....	D7/376
D677,520	S	*	3/2013	Choi	.....	D7/376
D682,015	S	*	5/2013	Ragot	.....	D7/376
D683,578	S	*	6/2013	Nordwall	.....	D7/376
D701,078	S	*	3/2014	Gonzalez	.....	D7/376
D728,304	S	*	5/2015	Weaden	.....	D7/376
D739,678	S	*	9/2015	Benoit	.....	D7/376
D739,679	S	*	9/2015	Benoit	.....	D7/376
D743,735	S	*	11/2015	Weaden	.....	D7/376
D748,428	S	*	2/2016	Yuan	.....	D7/376
D753,434	S	*	4/2016	Bazzicalupo	.....	D7/376
D770,846	S	*	11/2016	Bueno	.....	D7/376
D772,643	S	*	11/2016	Bazzicalupo	.....	D7/376

\* cited by examiner

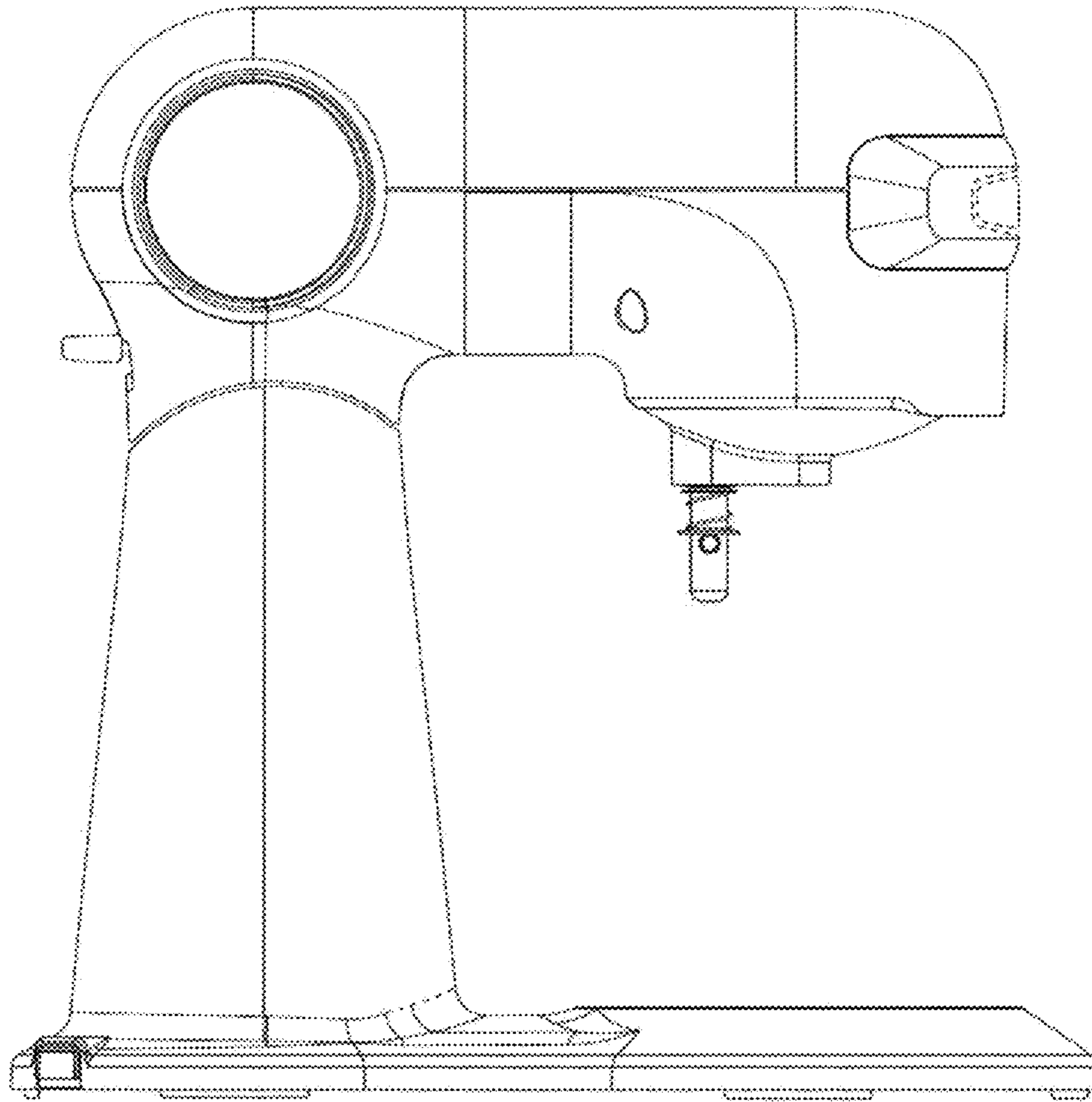


Figure 1.

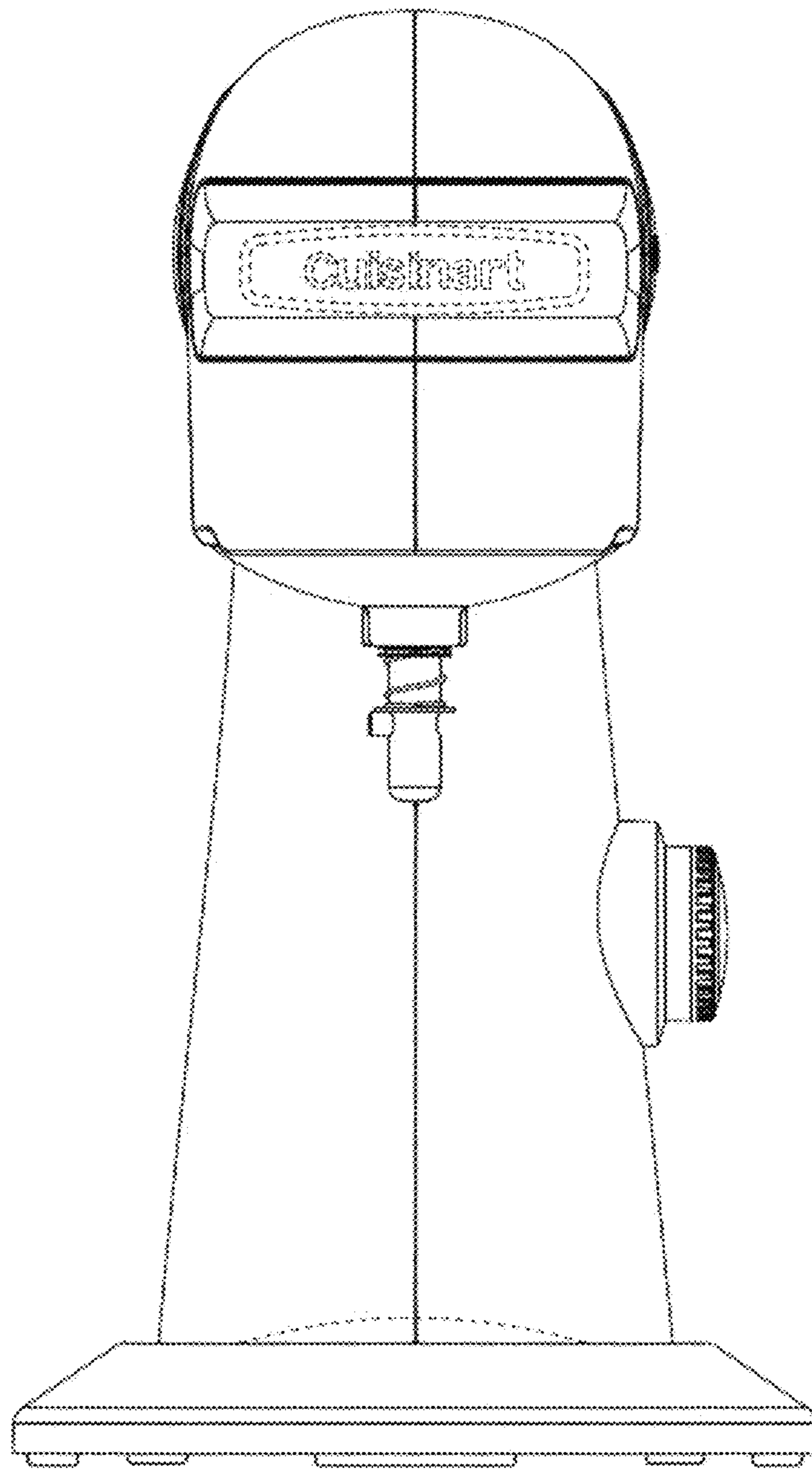


Figure 2.



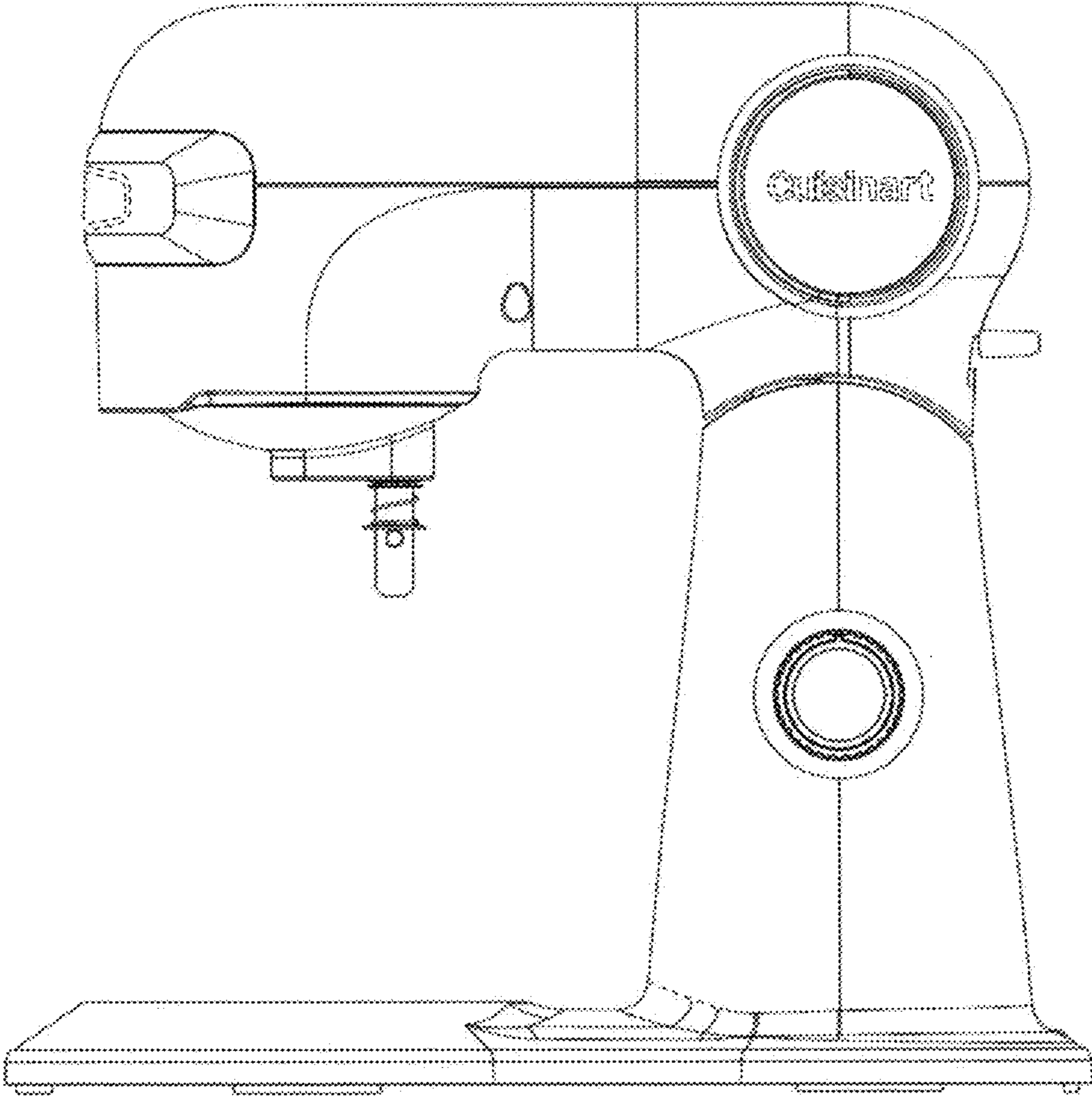


Figure 3.

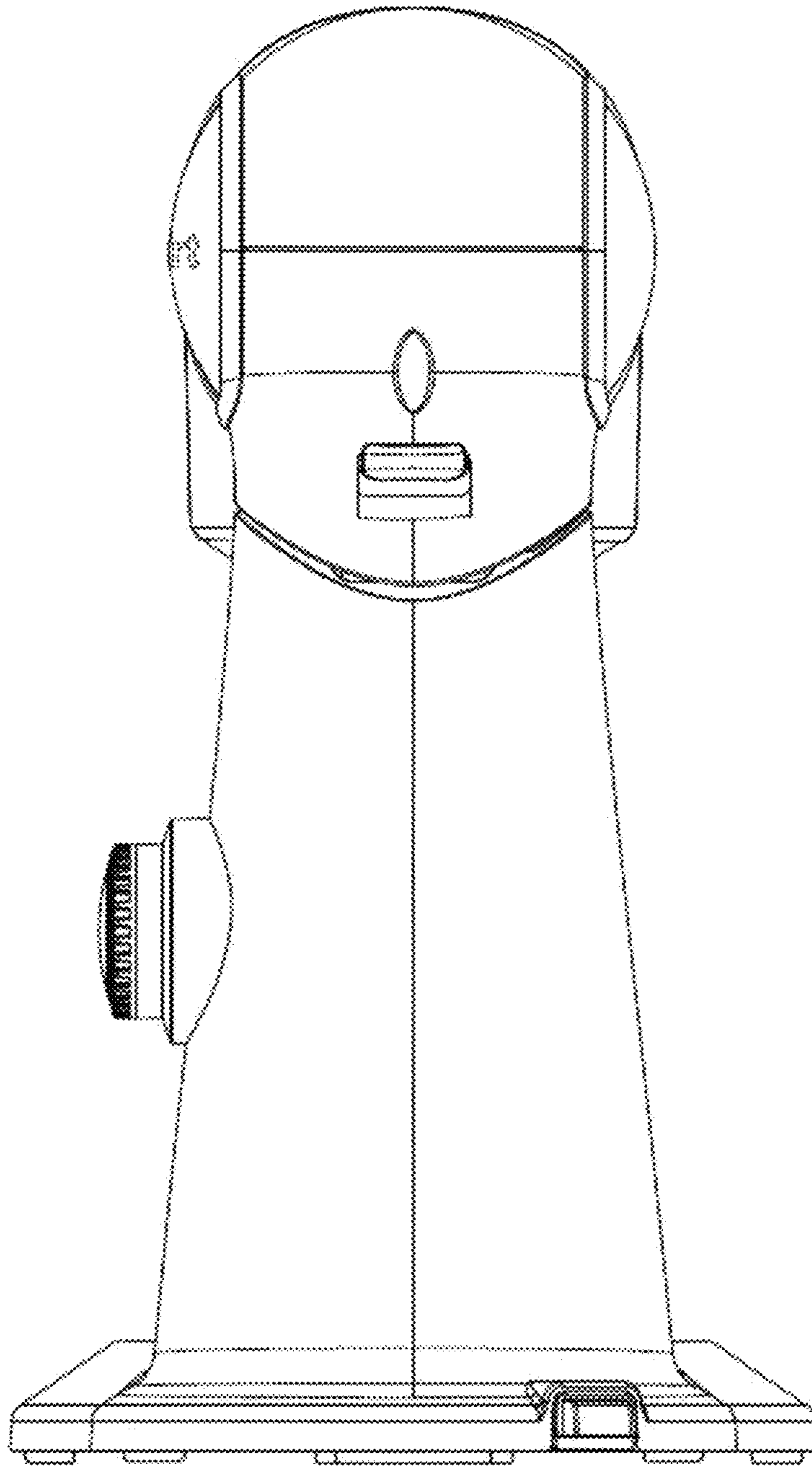


Figure 4.

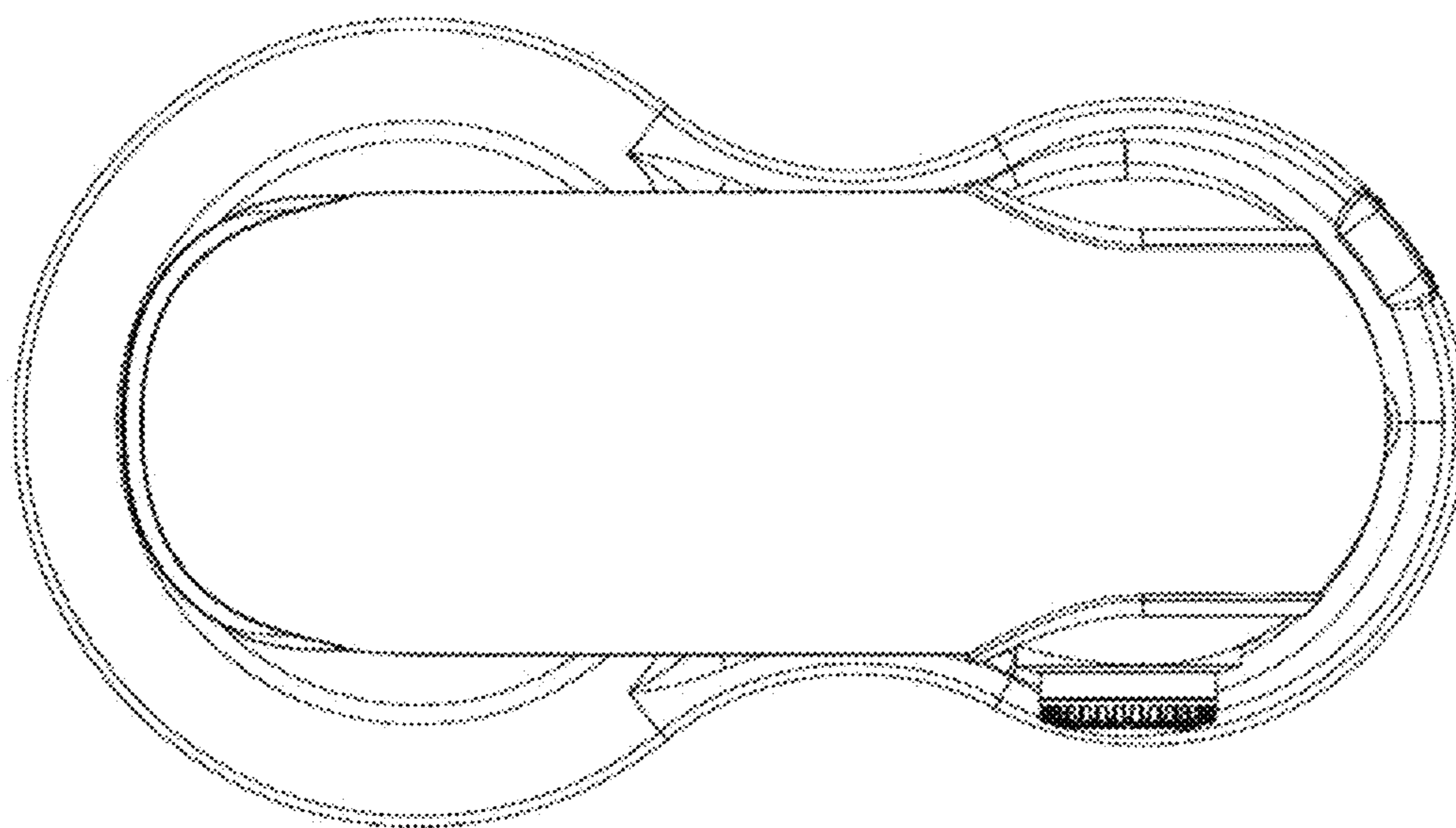


Figure 5.

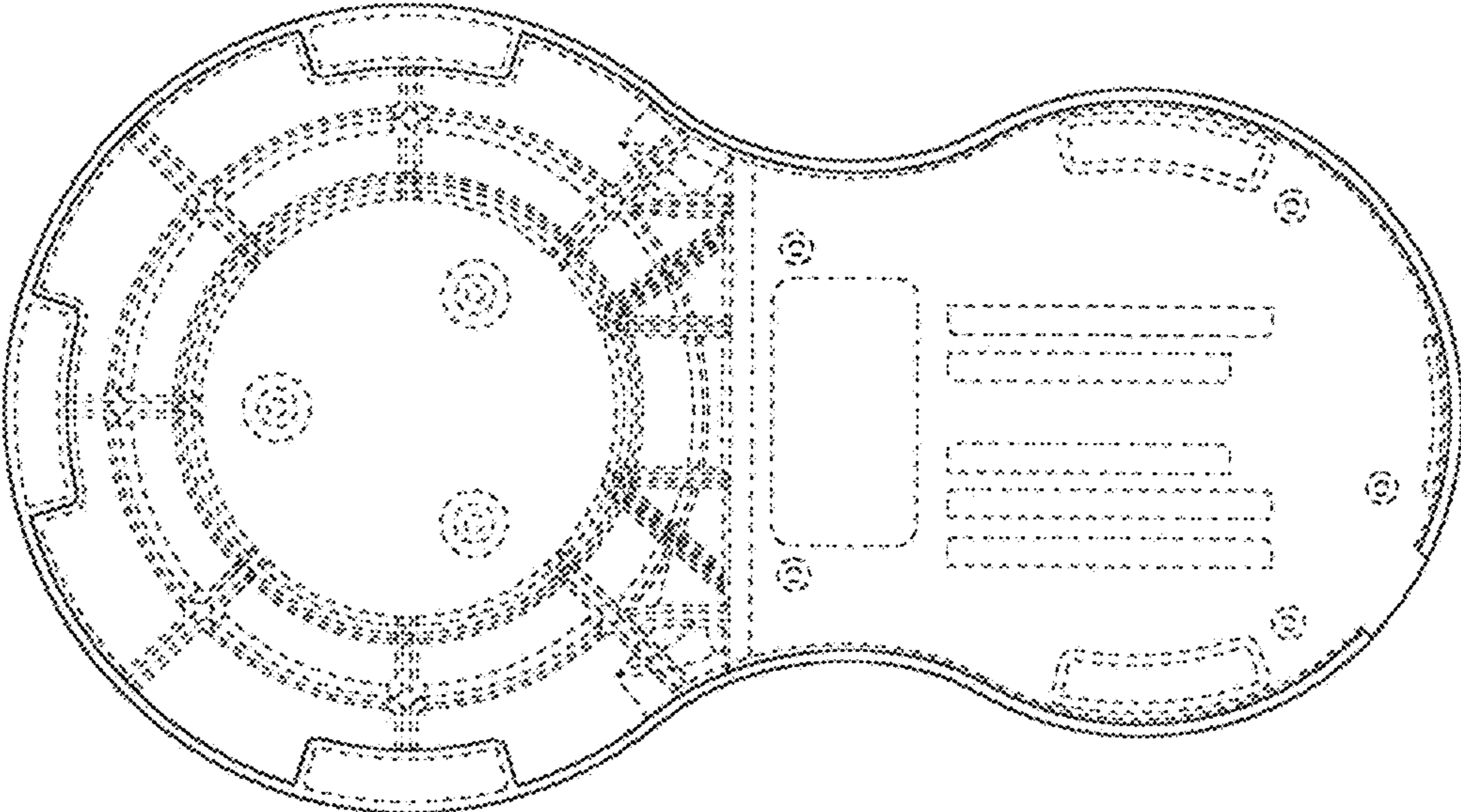


Figure 6.



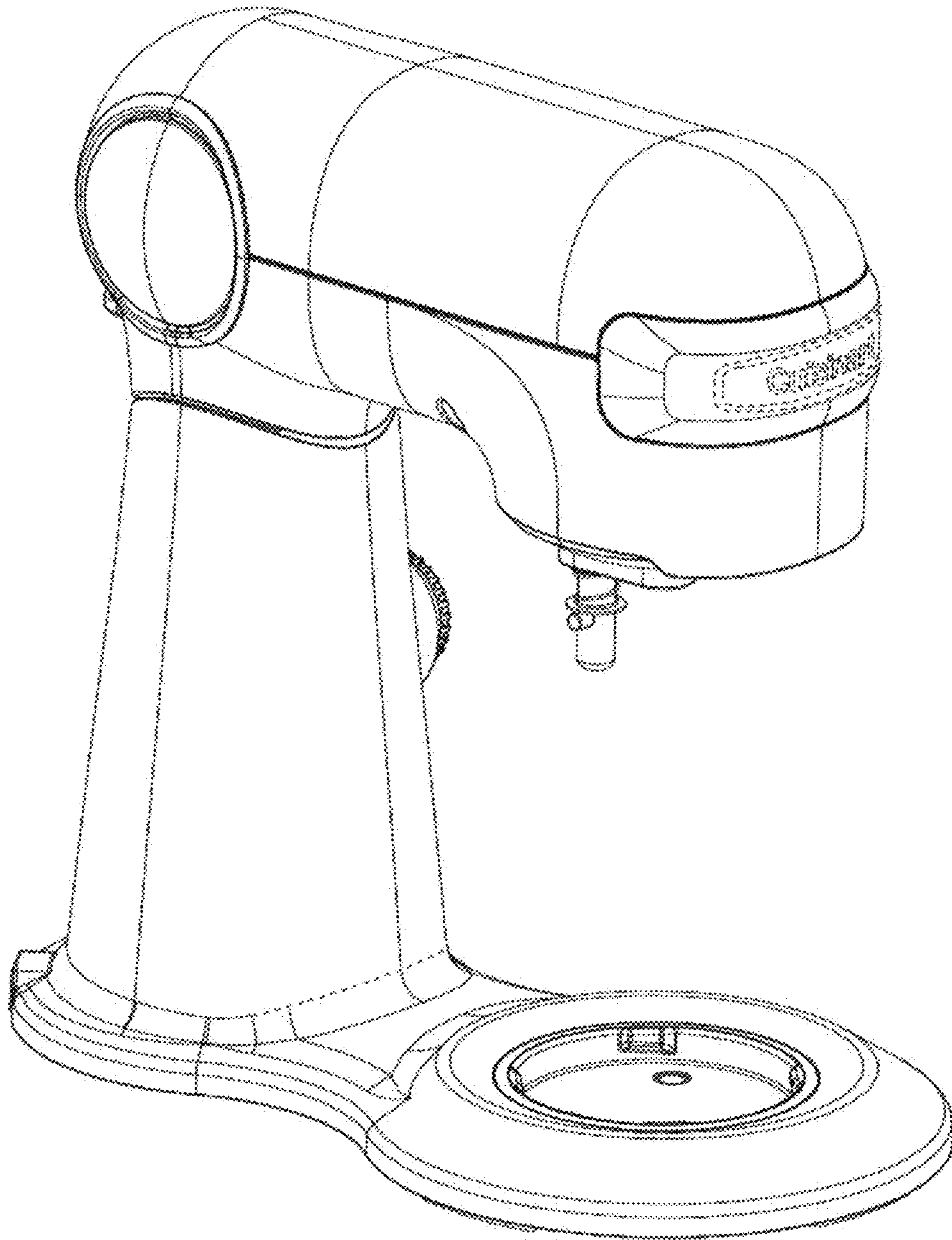


Figure 7.

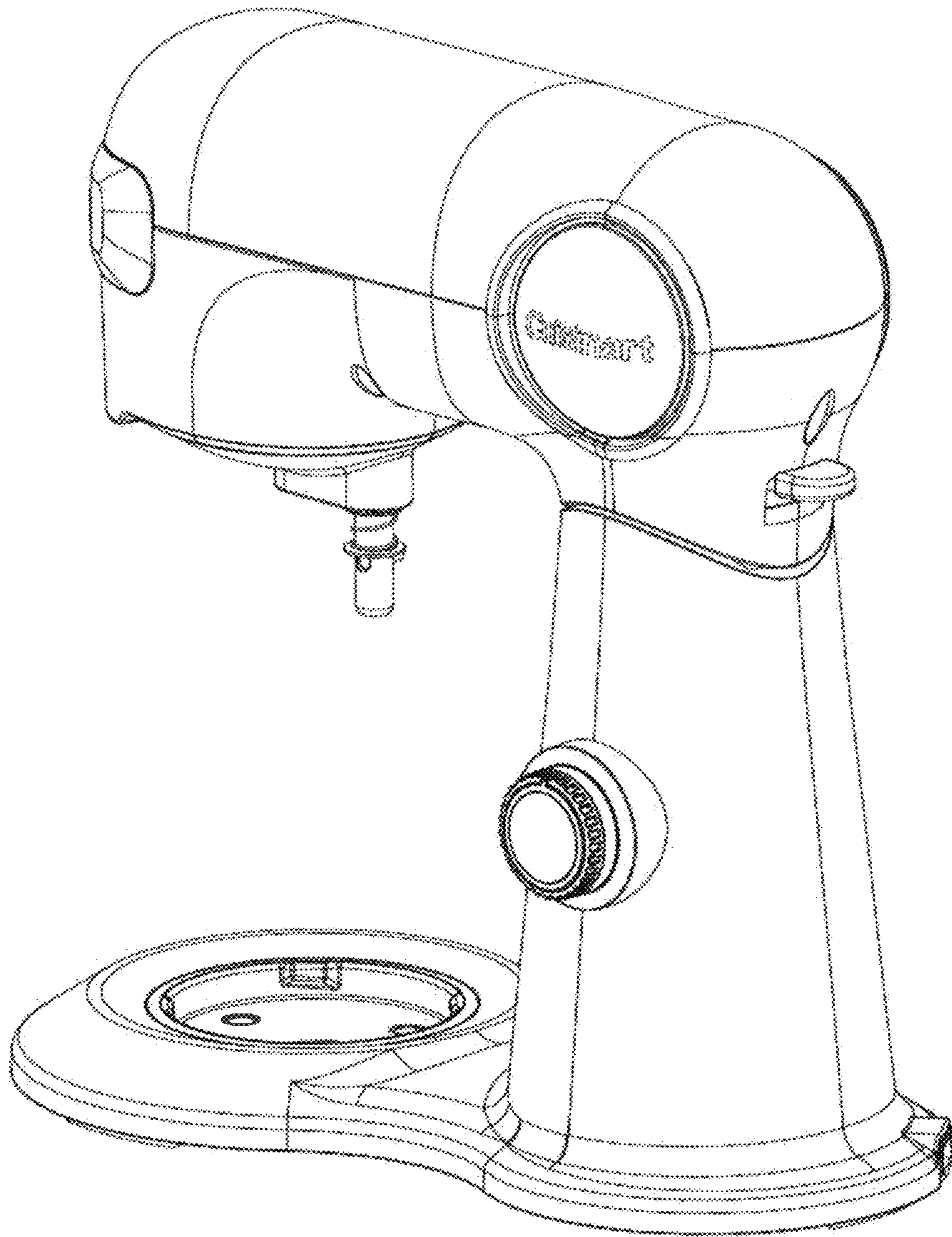


Figure 8.

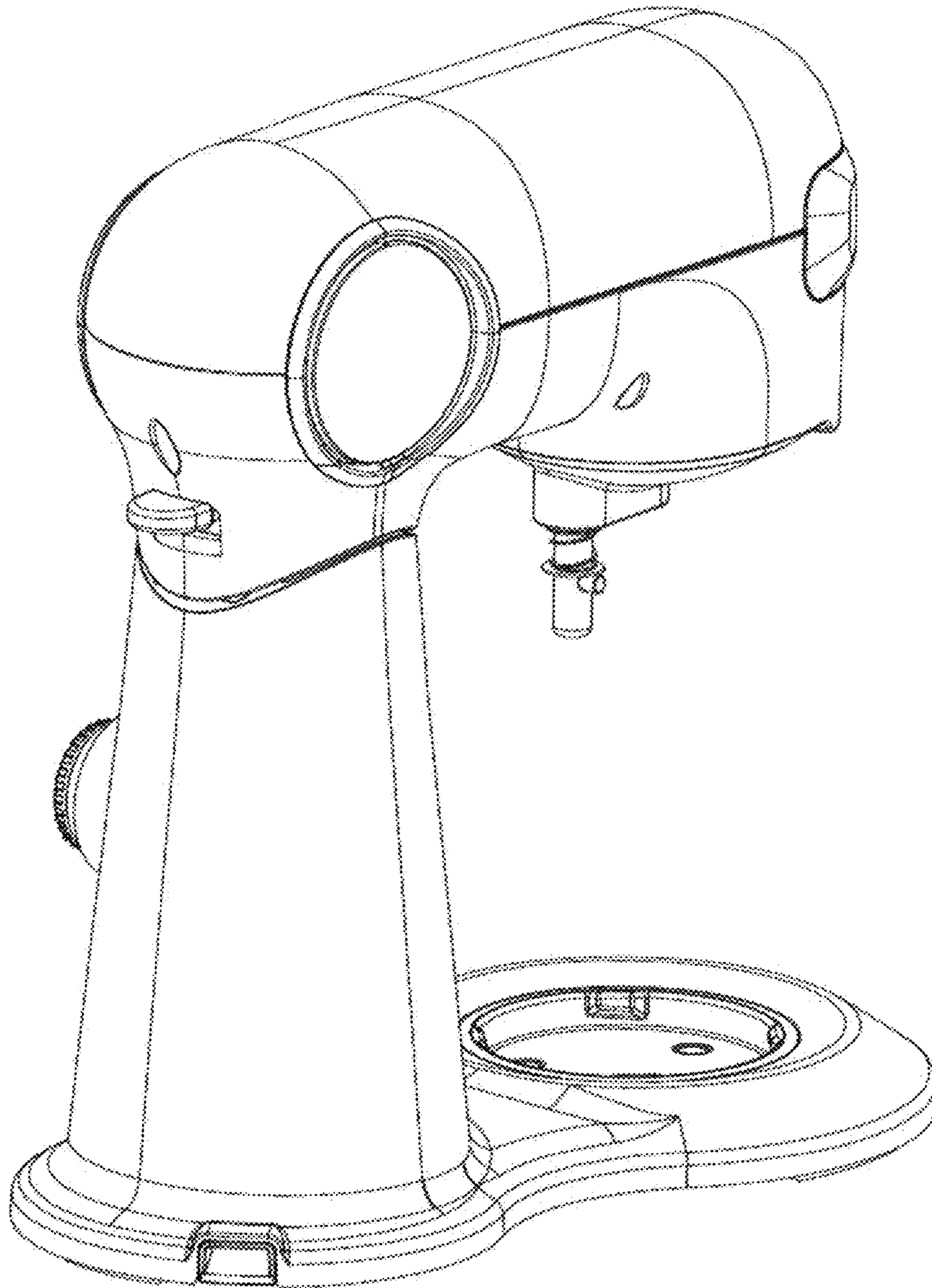


Figure 9.



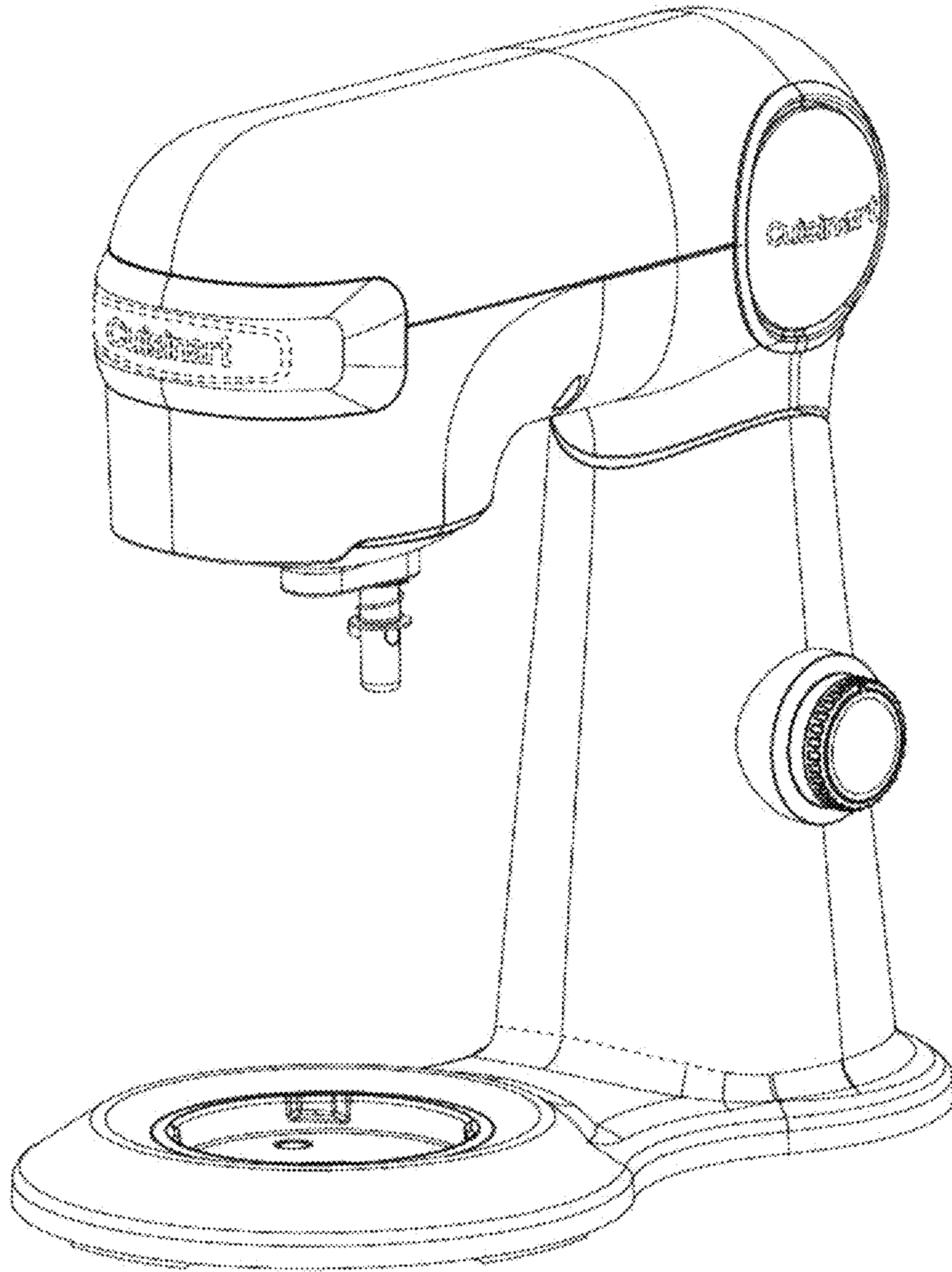


Figure 10.