

US00D830113S

(12) **United States Design Patent** (10) **Patent No.:** **US D830,113 S**
Lee (45) **Date of Patent:** **** Oct. 9, 2018**

(54) **INFRARED HEATING COOKER**
(71) Applicant: **ZAIGLE CO., LTD.**, Seoul (KR)
(72) Inventor: **Jin Hee Lee**, Seoul (KR)
(73) Assignee: **ZAIGLE CO., LTD.**, Seoul (KR)
(**) Term: **15 Years**
(21) Appl. No.: **29/595,656**
(22) Filed: **Mar. 1, 2017**

(30) **Foreign Application Priority Data**
Sep. 8, 2016 (KR) 30-2016-0044257
(51) **LOC (11) Cl.** **07-02**
(52) **U.S. Cl.**
USPC **D7/362**
(58) **Field of Classification Search**
USPC D7/323, 334, 339-341, 352, 354-355,
D7/362-367, 402-403, 601
CPC A21B 1/06; A21B 1/50; A21B 1/52; A47J
37/0611; A47J 37/0629; A47J 37/0676;
A47J 37/108; F24C 7/06; F24C 7/083;
F24C 15/02; F24C 15/66; H05B 3/20;
H05B 3/40
See application file for complete search history.

(56) **References Cited**
U.S. PATENT DOCUMENTS
D196,826 S * 11/1963 Norton D7/365
3,251,355 A * 5/1966 Keating A47J 36/26
126/40
D230,072 S * 1/1974 Chaudoir D7/355
6,575,154 B1 * 6/2003 Freeman, Jr. F24C 3/14
126/38
D633,335 S * 3/2011 Groll D7/402
D653,904 S * 2/2012 Lee D7/362
D688,086 S * 8/2013 Lee D7/362
D688,087 S * 8/2013 Lee D7/362
D688,088 S * 8/2013 Lee D7/362

D688,089 S * 8/2013 Lee D7/362
D688,090 S * 8/2013 Lee D7/362
D710,143 S * 8/2014 Lee D7/362
D710,144 S * 8/2014 Lee D7/362
(Continued)

OTHER PUBLICATIONS

Secura Infrared Convection Countertop TurboFry Oven with turntable and paddle, posted at Hotairfrying.com, posted on © 2017, site visited Jan. 2, 2018, <<http://www.hotairfrying.com/secura-infrared-convection-countertop-turbofry-oven/>>.*
(Continued)

Primary Examiner — Barbara G Fox
Assistant Examiner — Messina L Smith
(74) *Attorney, Agent, or Firm* — Kile Park Reed & Houtteman PLLC

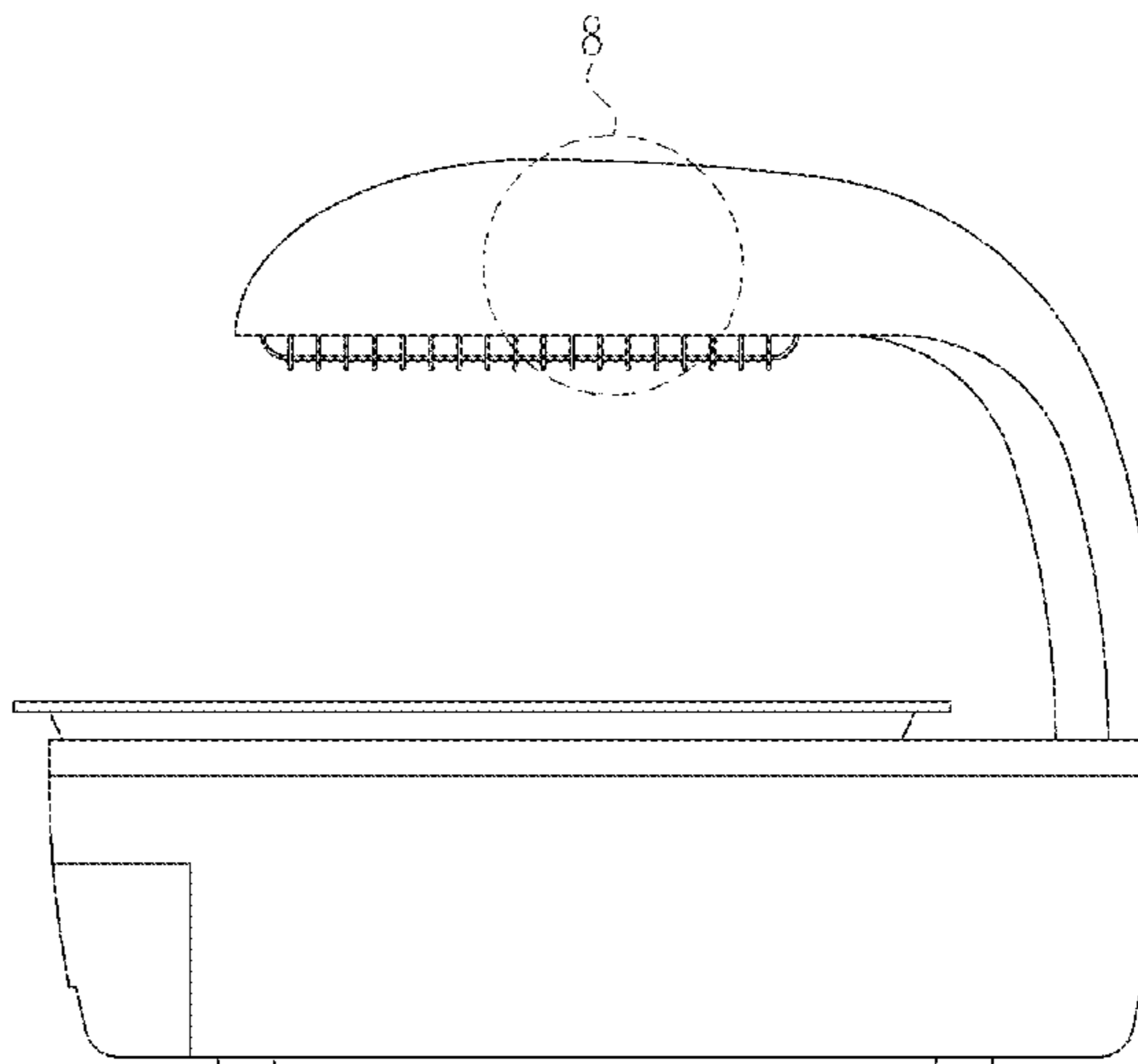
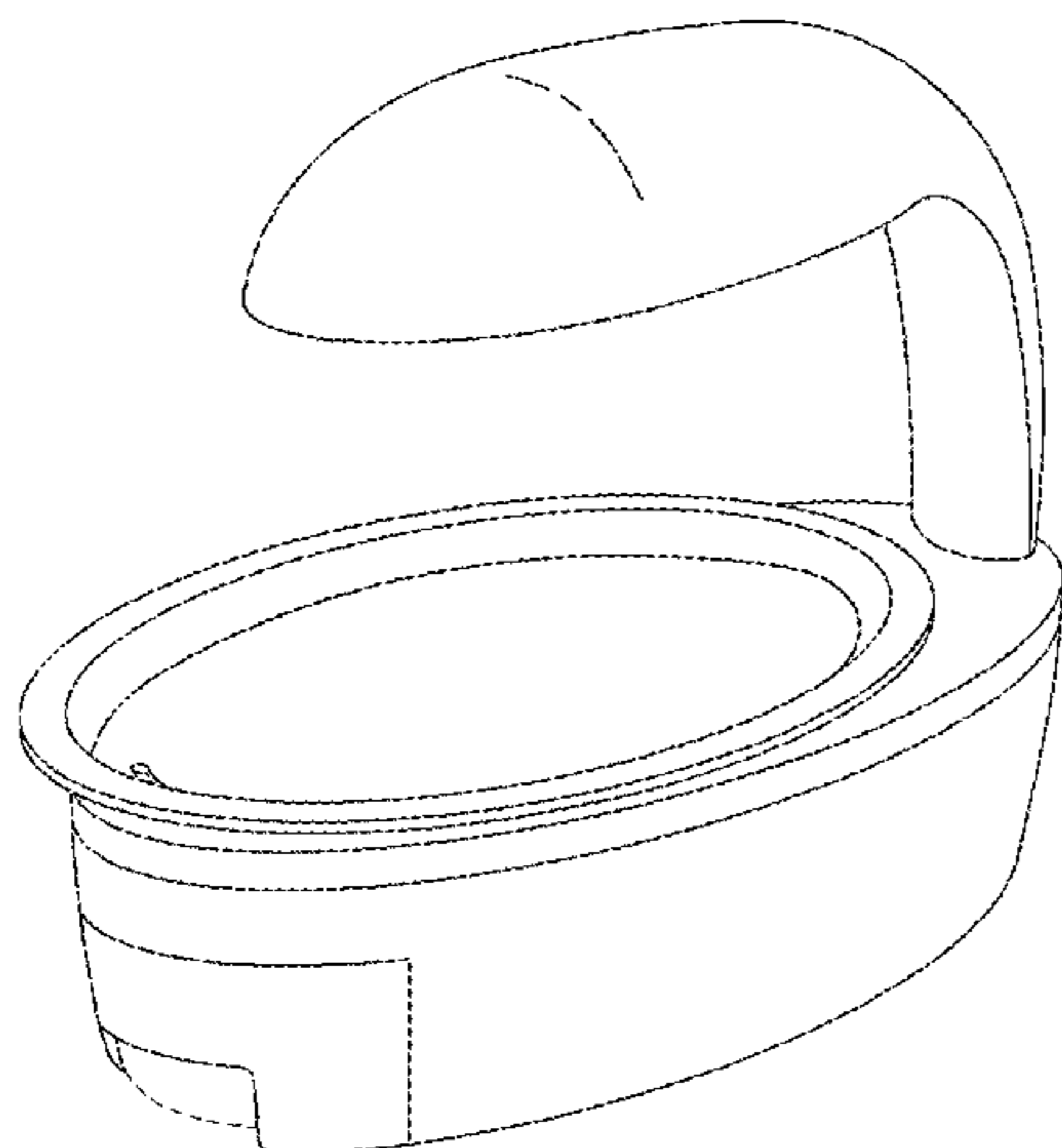
(57) **CLAIM**

I claim, the ornamental design for an infrared heating cooker, as shown and described.

DESCRIPTION

FIG. 1 is a top and front perspective view of an infrared heating cooker, showing my new design;
FIG. 2 is a front view thereof;
FIG. 3 is a rear view thereof;
FIG. 4 is a left side view thereof;
FIG. 5 is a right side view thereof;
FIG. 6 is a top view thereof;
FIG. 7 is a bottom view thereof;
FIG. 8 is a view showing an enlargement of the portion shown in FIG. 2; and,
FIG. 9 is a reference view showing an enlargement of the portion shown in FIG. 4.
The broken lines are shown for the purpose of depicting portions of the infrared heating cooker that form no part of the claim.

1 Claim, 7 Drawing Sheets



(56)

References Cited

U.S. PATENT DOCUMENTS

D764,222 S * 8/2016 Lee D7/352
D764,223 S * 8/2016 Lee D7/352
D764,859 S * 8/2016 Lee D7/352
D764,860 S * 8/2016 Lee D7/352
D768,423 S * 10/2016 Thul D7/306

OTHER PUBLICATIONS

Smokeless indoor infrared heating commercial electric stove halogen korean electric grill, posted at Alibaba.com, posted on Dec. 11, 2015, site visited Jan. 2, 2018, <http://yklvyang.en.alibaba.com/product/60442187213-802420694/smokeless_indoor_infrared_heating_commercial_electric_stove_halogen_korean_electric_grill.>.*

* cited by examiner

FIG. 1

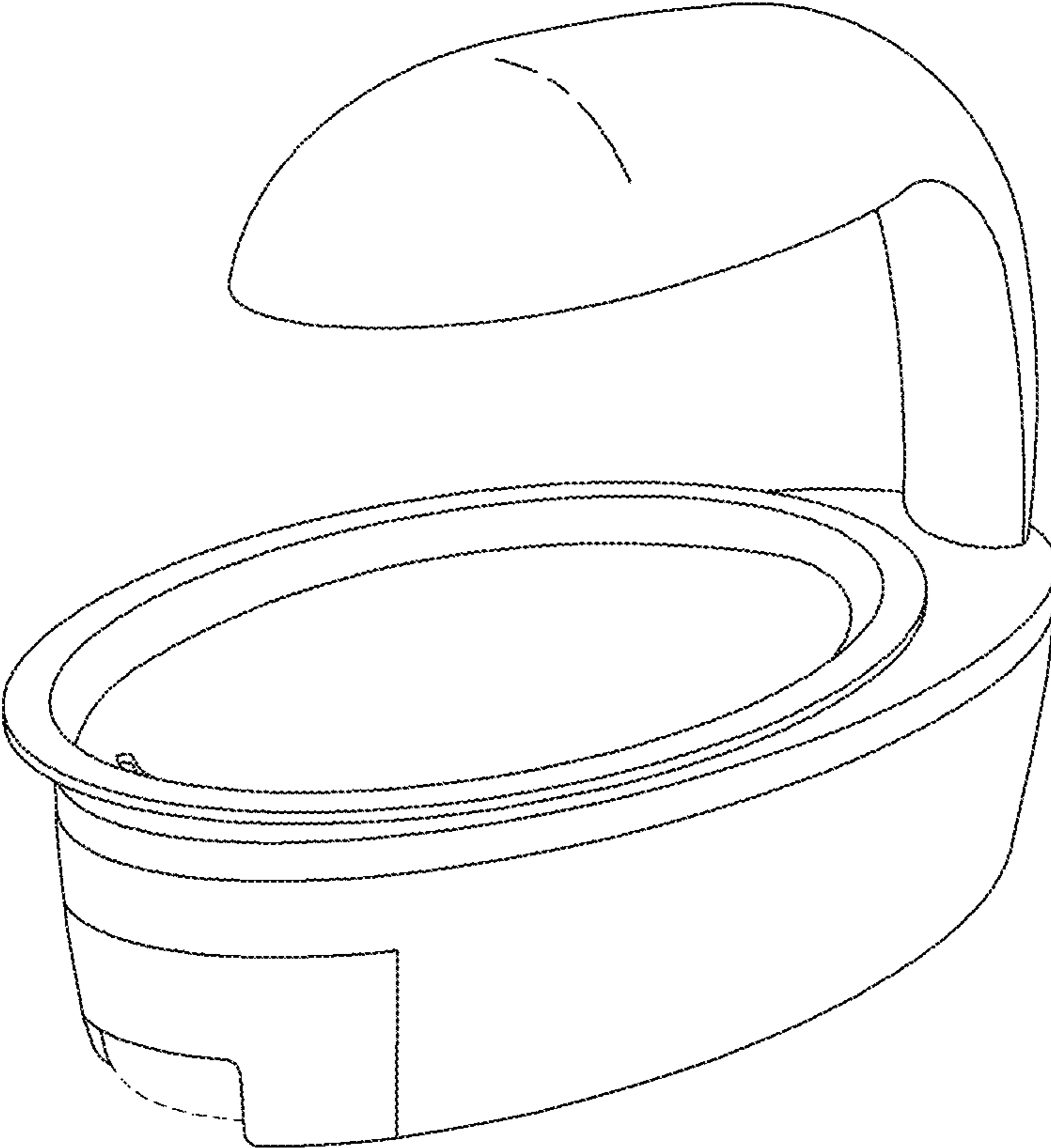


FIG. 2

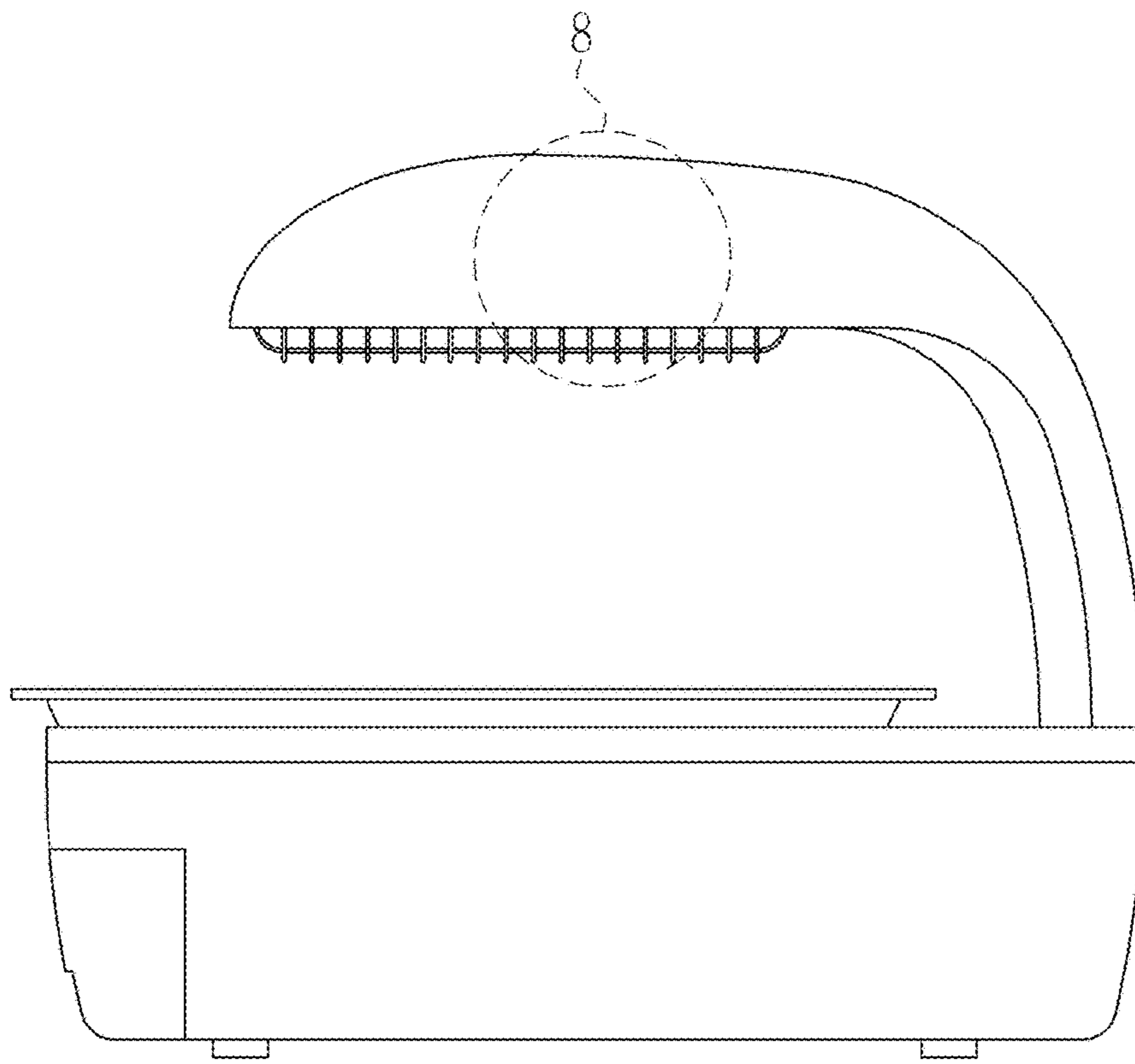


FIG. 3

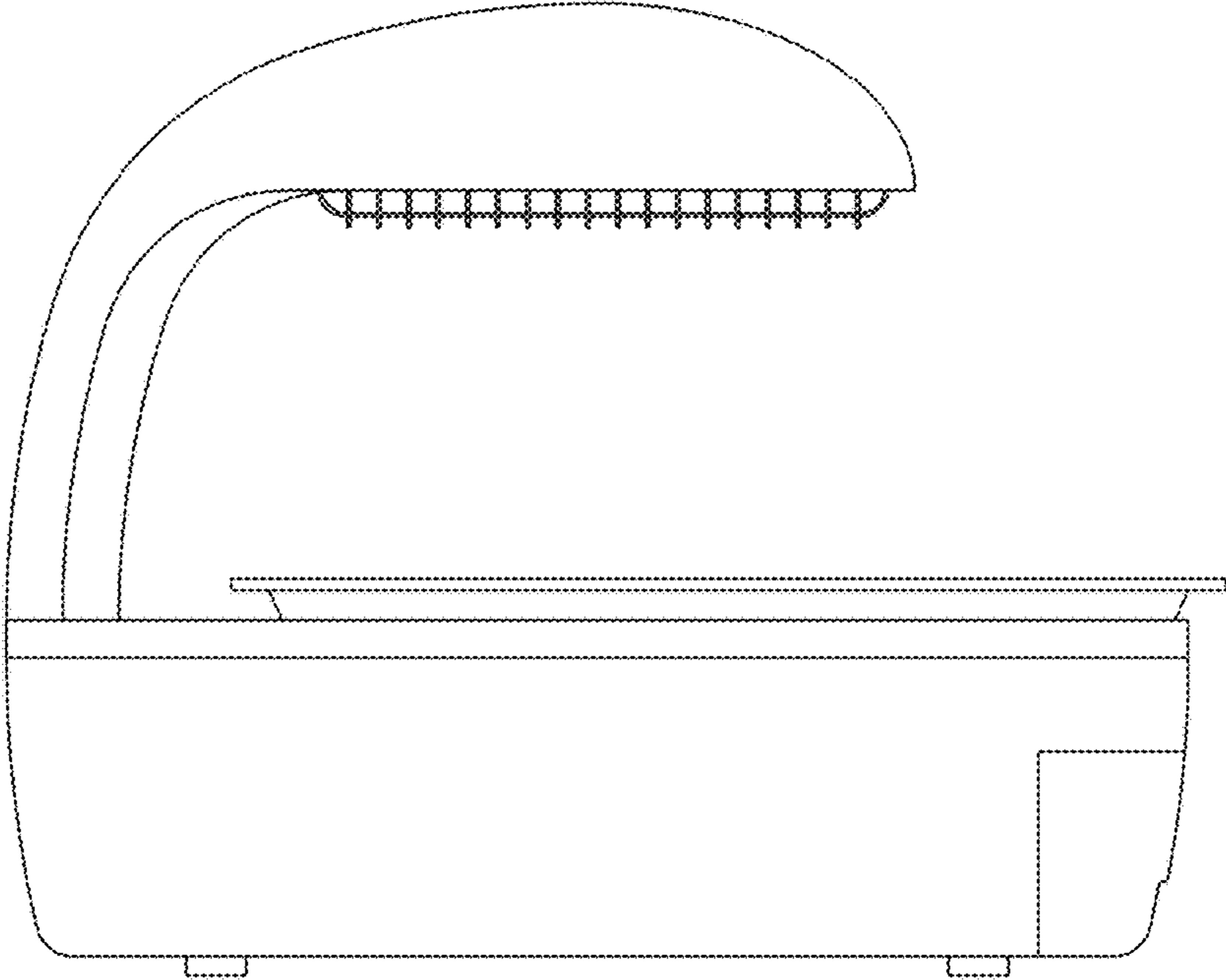


FIG. 4

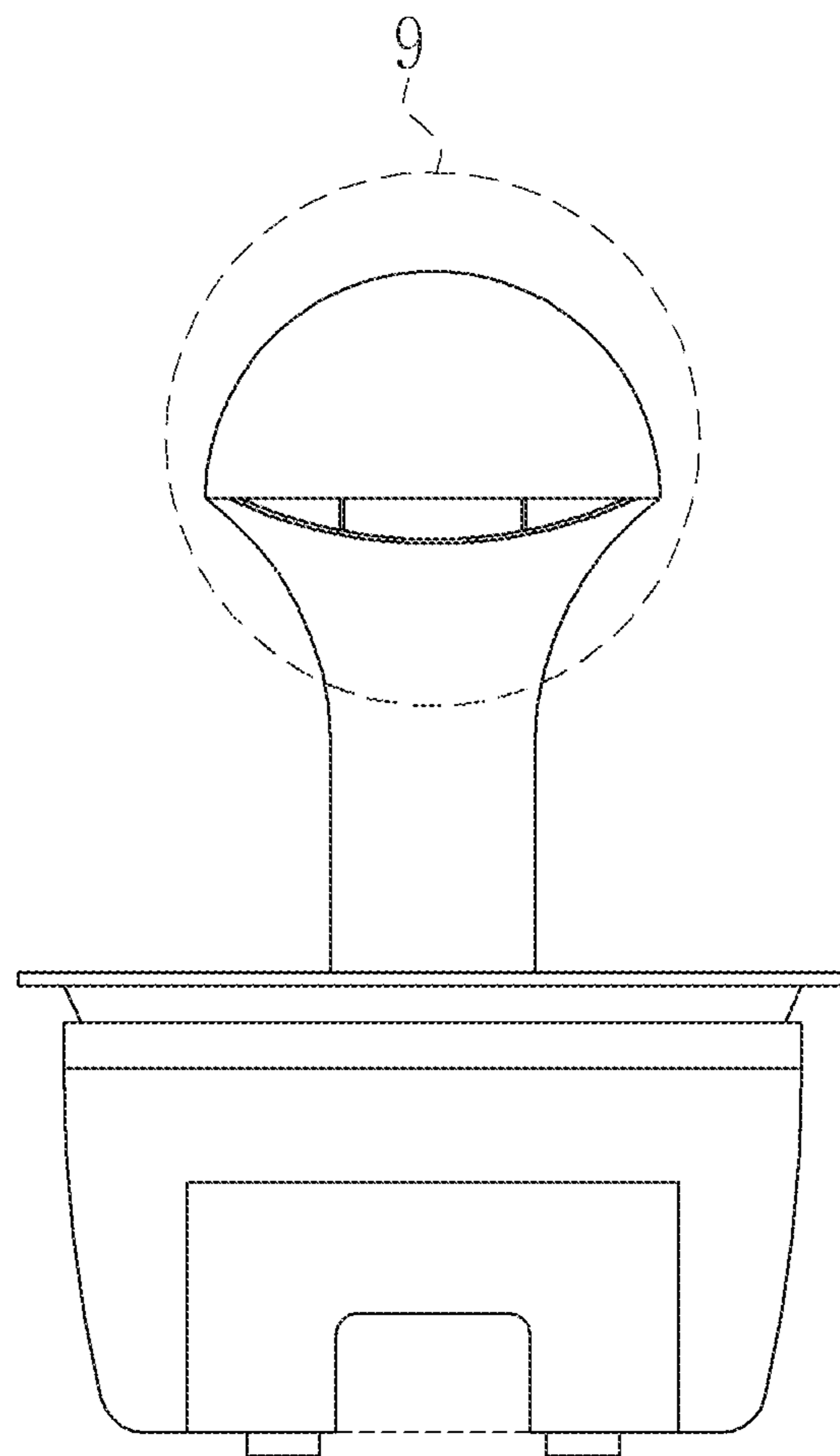


FIG. 5

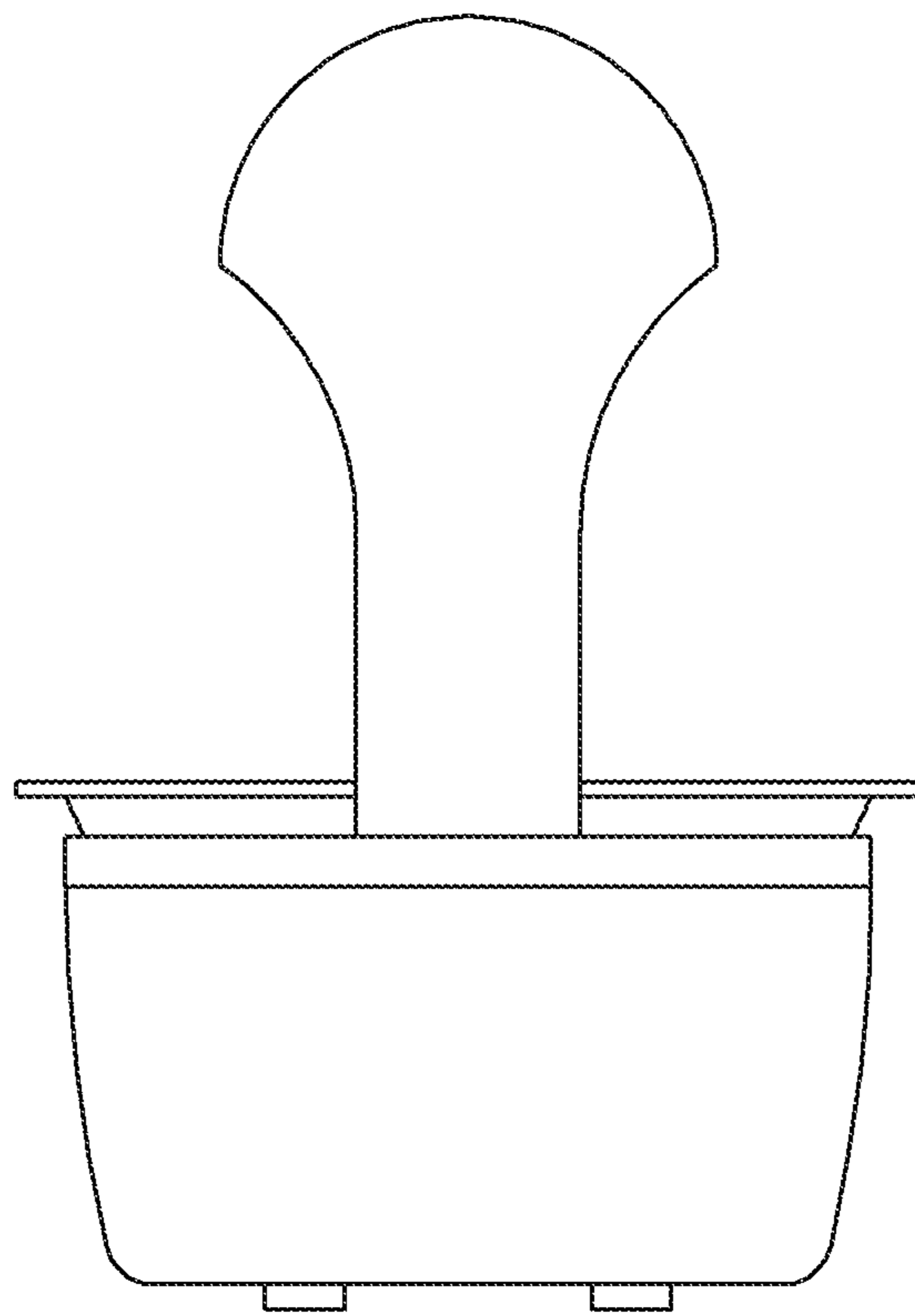


FIG. 6

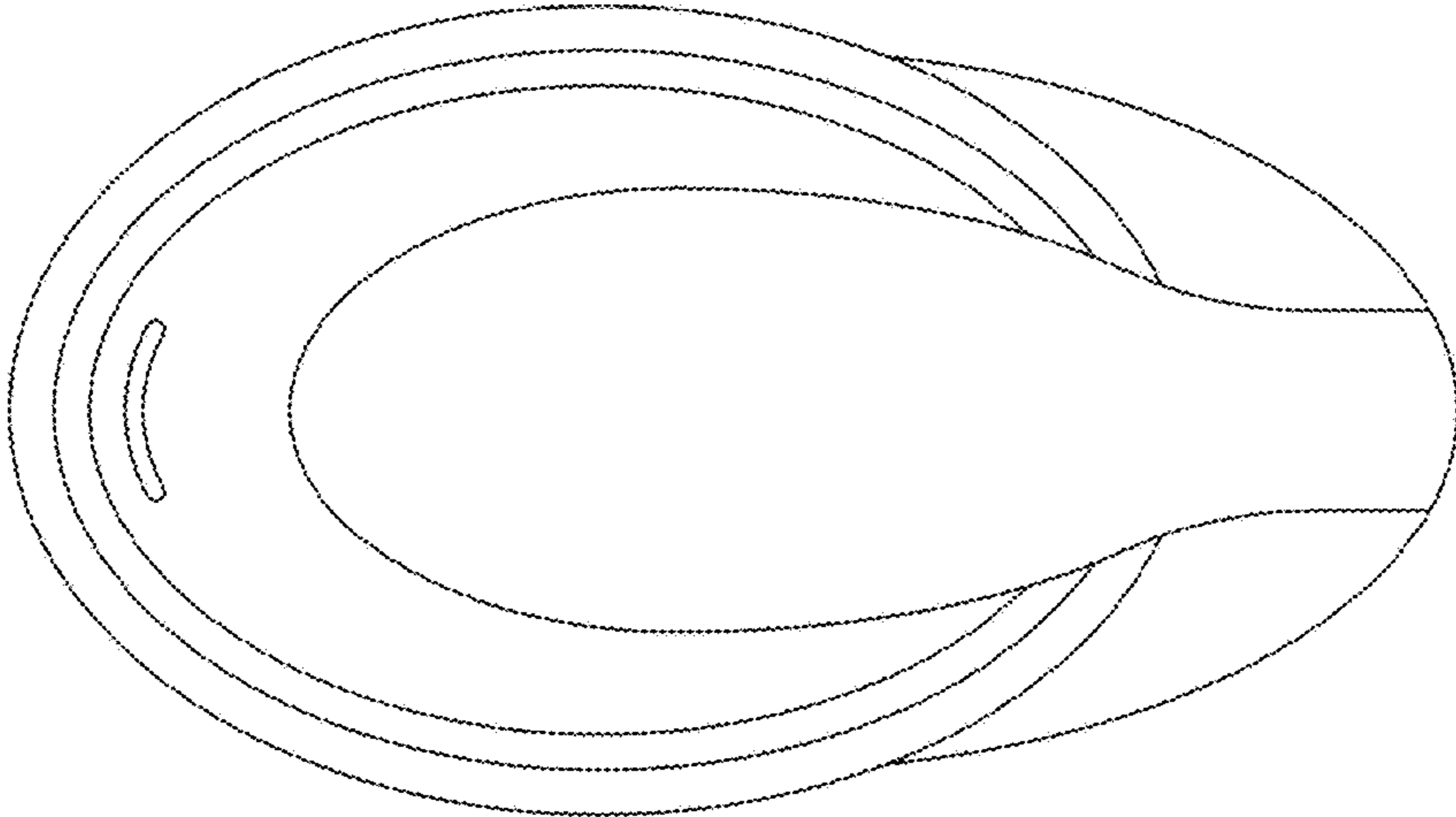


FIG. 7

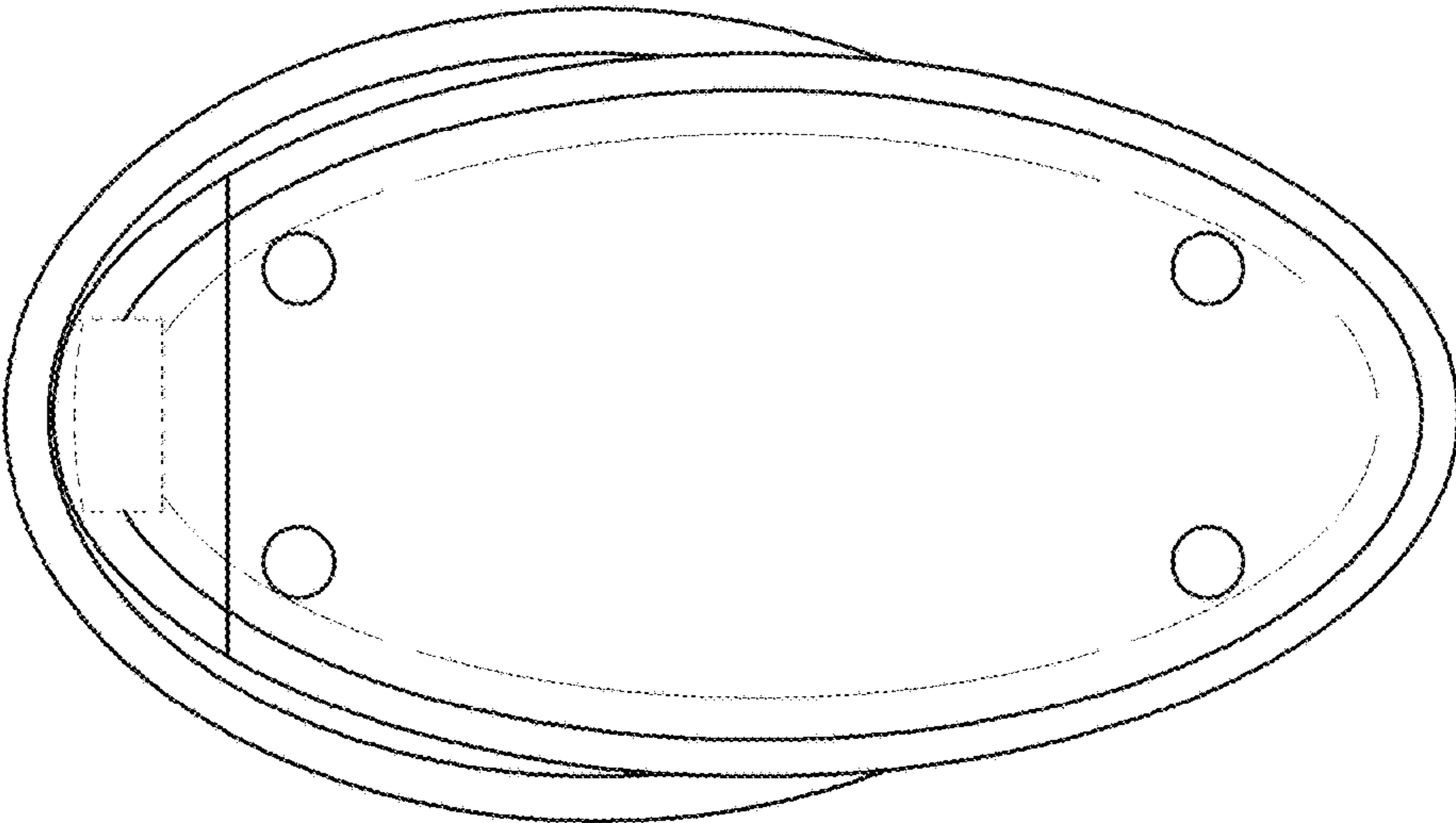


FIG. 8

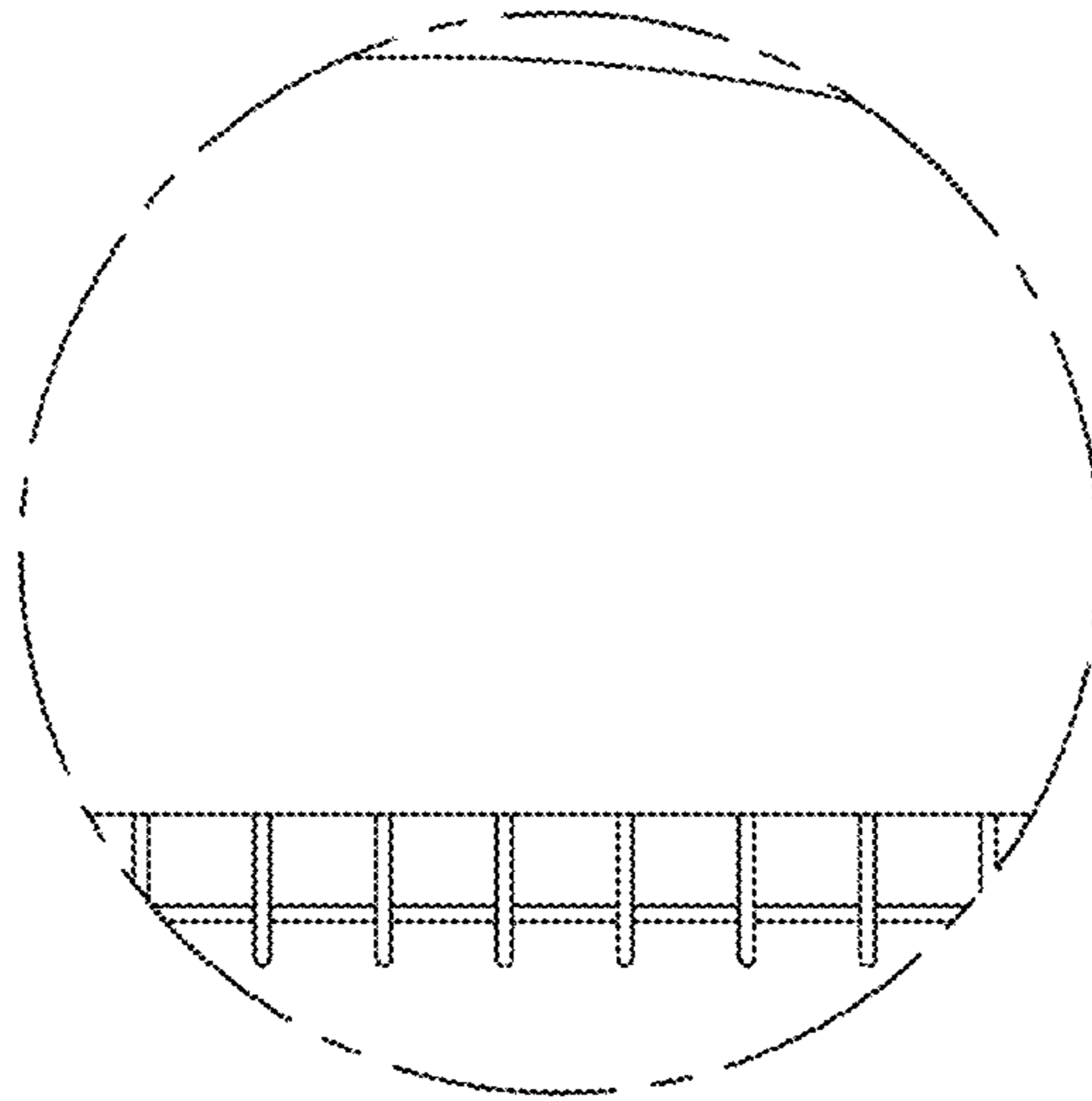


FIG. 9

