



US00D830111S

(12) **United States Design Patent**
Mirchandani et al.

(10) **Patent No.:** **US D830,111 S**
(45) **Date of Patent:** **** Oct. 9, 2018**

(54) **COOKING APPARATUS**

(71) Applicant: **Tristar Products, Inc.**, Fairfield, NJ (US)

(72) Inventors: **Keith Mirchandani**, Fairfield, NJ (US);
Paul McGrath, Flanders, NJ (US);
James Mitrik, Long Pond, PA (US);
Alejandro G. Lozano, Guttenberg, NJ (US)

(73) Assignee: **TRISTAR PRODUCTS, INC.**, Fairfield, NJ (US)

(**) Term: **15 Years**

(21) Appl. No.: **29/596,040**

(22) Filed: **Mar. 3, 2017**

(51) **LOC (11) Cl.** **07-02**

(52) **U.S. Cl.**

USPC **D7/359**; D7/354; D7/409

(58) **Field of Classification Search**

USPC D7/323, 354–361, 400, 543, 545, 549,
D7/550.1, 553.1–553.8, 554.1–554.4, 555,
D7/584, 586, 624.1; D8/499;
D9/430–433, 455–456, 737, 756–762
CPC A21B 3/00; A21B 3/13; A21B 3/15; A21B
3/134; A21B 5/00; A21B 5/02; A47G
19/02; A47G 23/03; A47J 36/022; A47J
36/025; A47J 36/027; A47J 37/00; A47J
37/04; B65D 1/22; B65D 1/24; B65D
1/34; B65D 1/36; B65D 5/48004; B65D
81/343; B65D 85/36

See application file for complete search history.

(56) **References Cited**

U.S. PATENT DOCUMENTS

476,340 A * 6/1892 Wagandt A21B 3/13
220/575
2,080,125 A * 5/1937 Frost B65D 1/34
220/645

2,700,284 A * 1/1955 Lyon, Jr. A47G 19/02
220/23.8
3,268,198 A * 8/1966 Swett A47G 23/03
248/346.11
3,771,713 A * 11/1973 Davidson B65D 5/48004
206/551

(Continued)

FOREIGN PATENT DOCUMENTS

DE 102013202315 A1 8/2014
GB 475619 A 11/1937
WO WO-9935059 A1 7/1999

Primary Examiner — Ricky Pham

(74) *Attorney, Agent, or Firm* — Adler Pollock & Sheehan P.C.; Daniel J. Holmader, Esq.

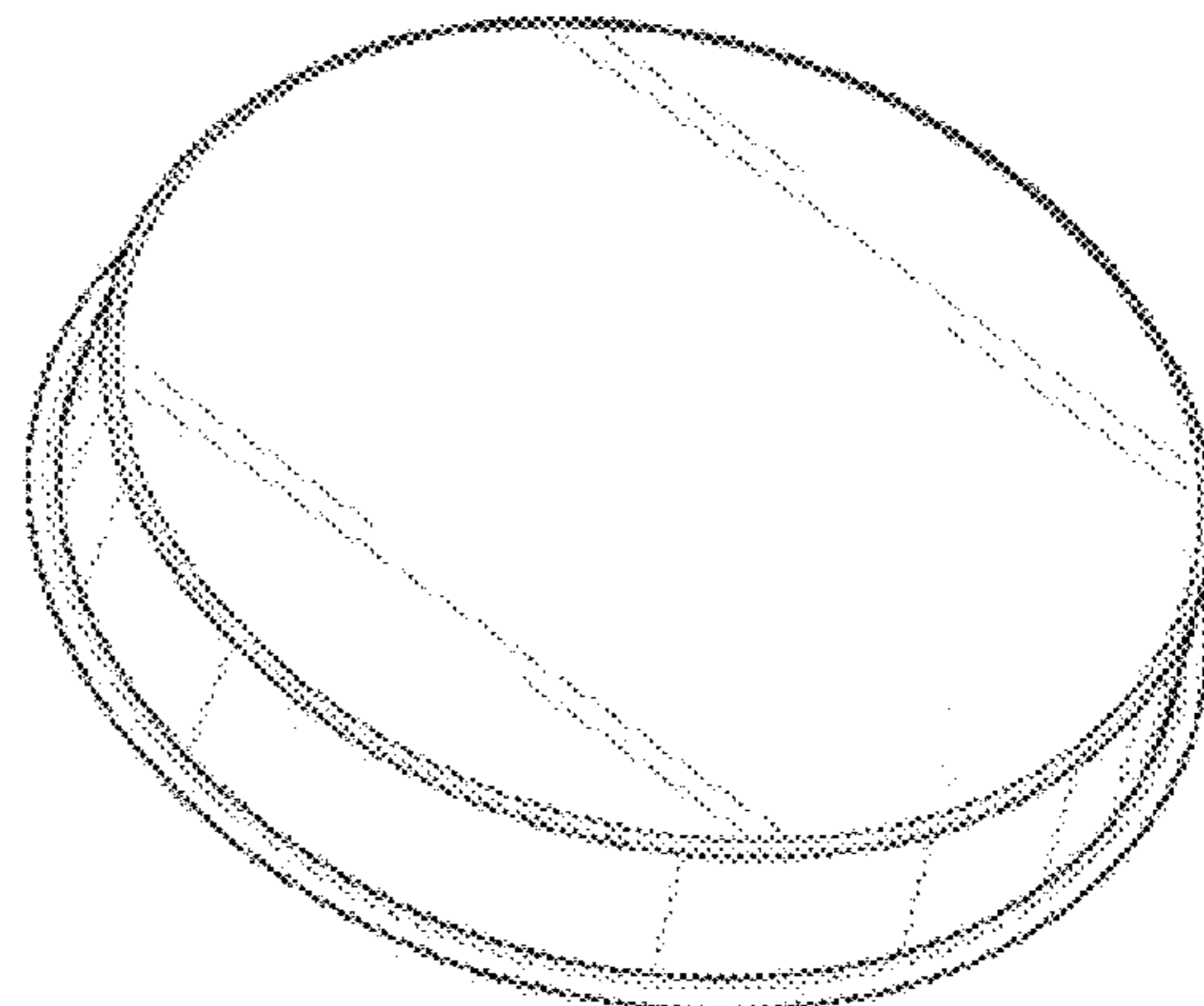
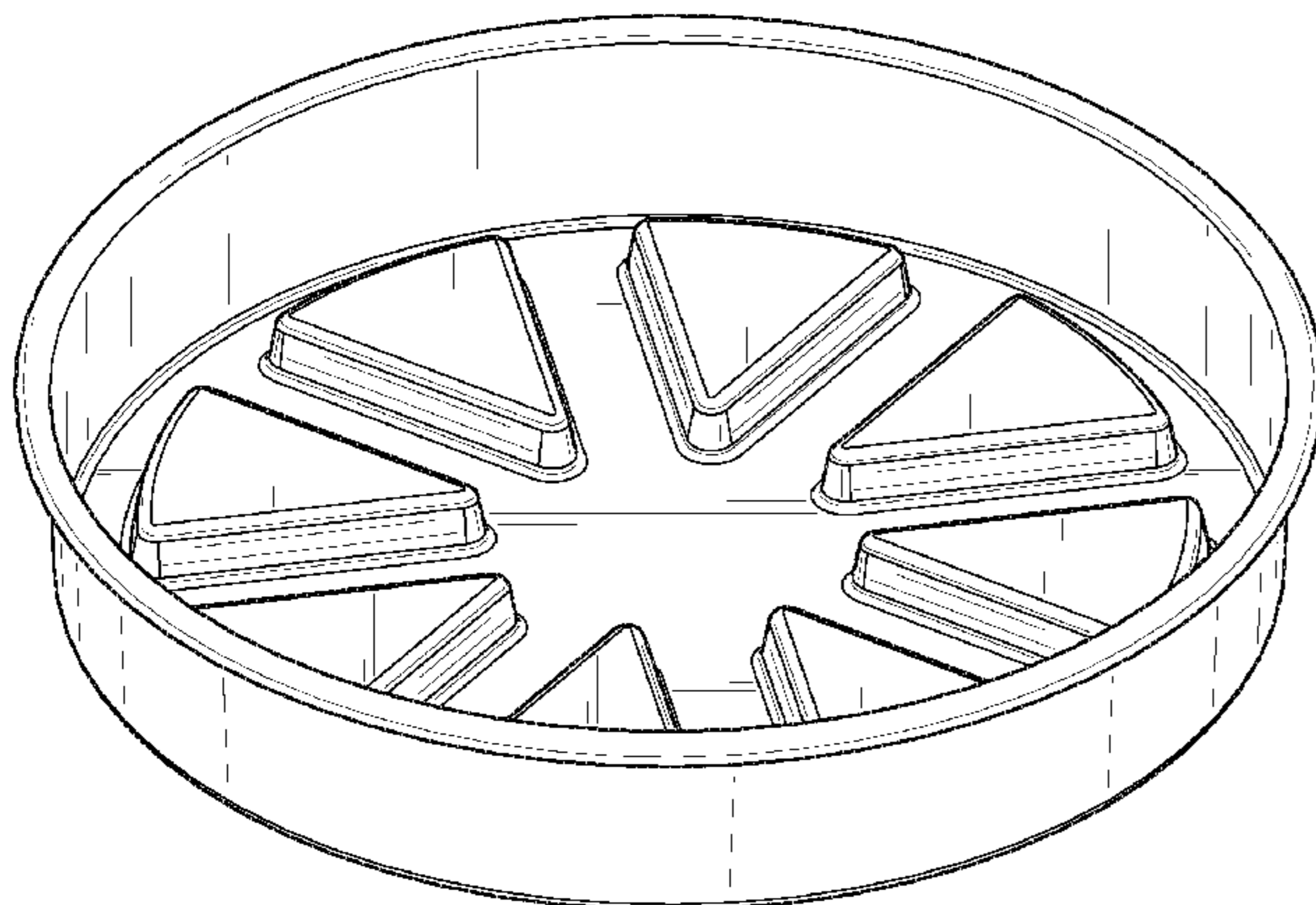
(57) **CLAIM**

The ornamental design for a cooking apparatus, as shown and described.

DESCRIPTION

FIG. 1 is a front perspective view of a cooking apparatus in accordance with the subject disclosure.
FIG. 2 is a top view of the cooking apparatus of FIG. 1.
FIG. 3 is a bottom view of the cooking apparatus of FIG. 1.
FIG. 4 is a front view of the cooking apparatus of FIG. 1.
FIG. 5 is a rear view of the cooking apparatus of FIG. 1.
FIG. 6 is a top perspective view of the cooking apparatus of FIG. 1.
FIG. 7 is a bottom perspective view of the cooking apparatus of FIG. 1.
FIG. 8 is a right side view of the cooking apparatus of FIG. 1.
FIG. 9 is a left side view of the cooking apparatus of FIG. 1; and,
FIG. 10 is a front perspective view of a second embodiment of the cooking apparatus of FIG. 1 indicating surface shading for metal.

1 Claim, 10 Drawing Sheets



(56)

References Cited

U.S. PATENT DOCUMENTS

D245,384	S *	8/1977	Ashton	215/228
4,644,858	A	2/1987	Liotto et al.	
D332,030	S *	12/1992	Kauffman	D7/624.1
7,478,588	B2	1/2009	Miller et al.	
D598,714	S *	8/2009	Aagaard	D7/554.1
D616,698	S *	6/2010	Lion	D7/354
D622,539	S	8/2010	Simon et al.	
D664,391	S *	7/2012	Hixon	D7/400
D666,086	S *	8/2012	Mundhra	D7/667
D677,973	S *	3/2013	Smallegan	D7/354
8,523,000	B2 *	9/2013	Vovan	B65D 1/34 206/505
8,534,188	B1	9/2013	Winfield	
8,925,446	B2	1/2015	McPheron	
9,107,421	B2	8/2015	Campbell et al.	
9,532,676	B1	1/2017	Winfield	
2005/0217498	A1	10/2005	Miller et al.	
2011/0088566	A1	4/2011	Doxie	
2012/0308701	A1	12/2012	Campbell et al.	

* cited by examiner

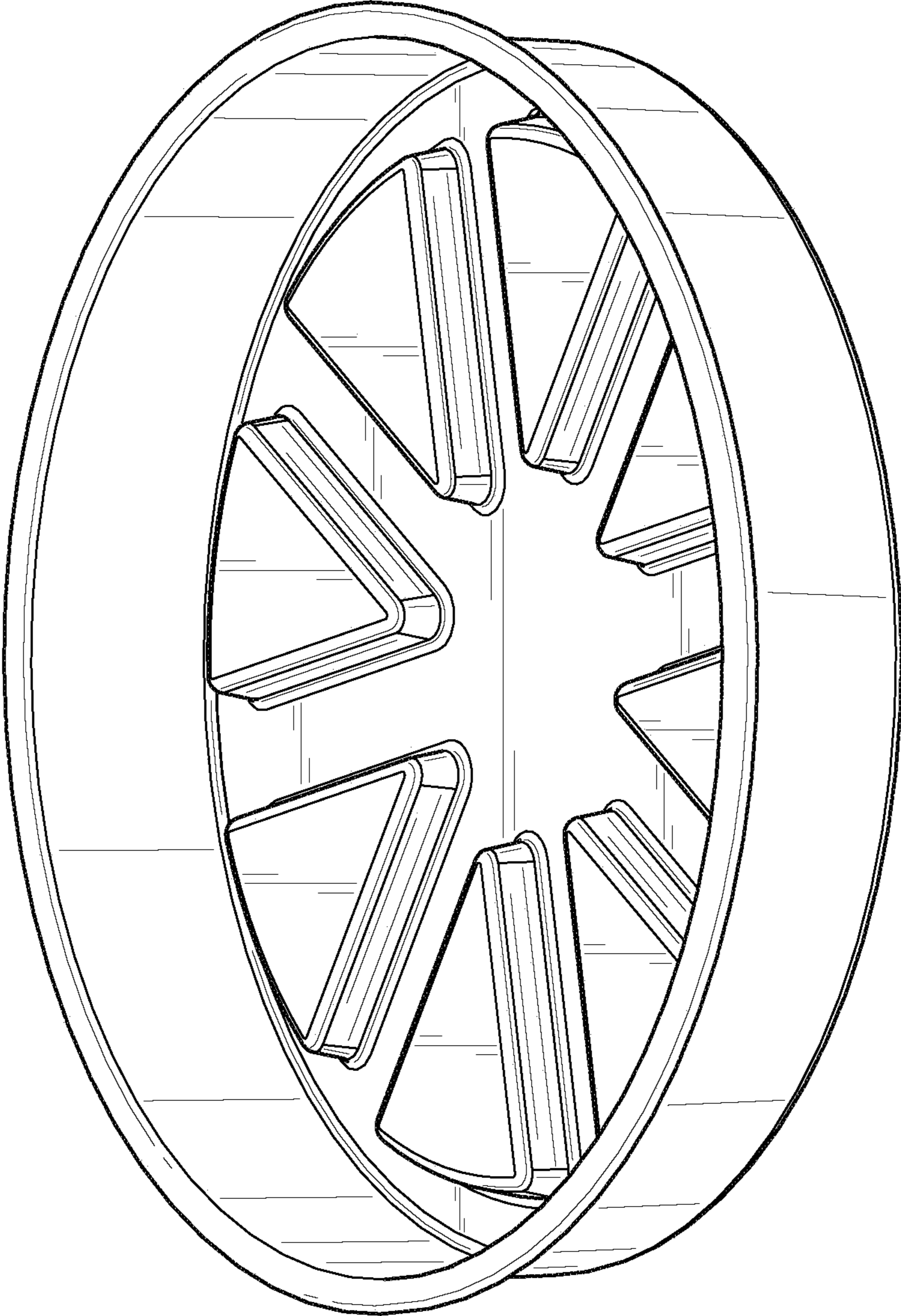


FIG. 1

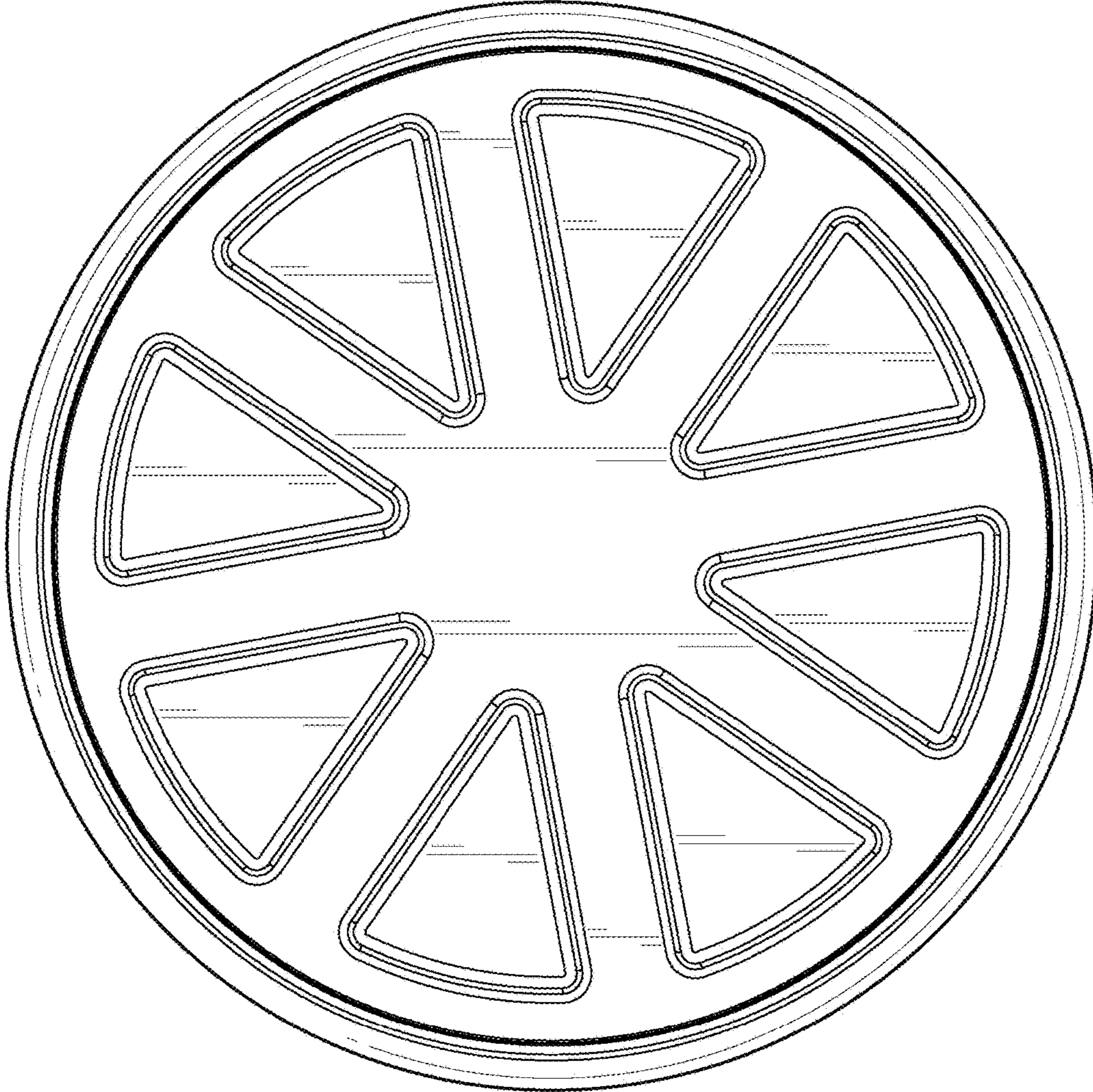


FIG. 2

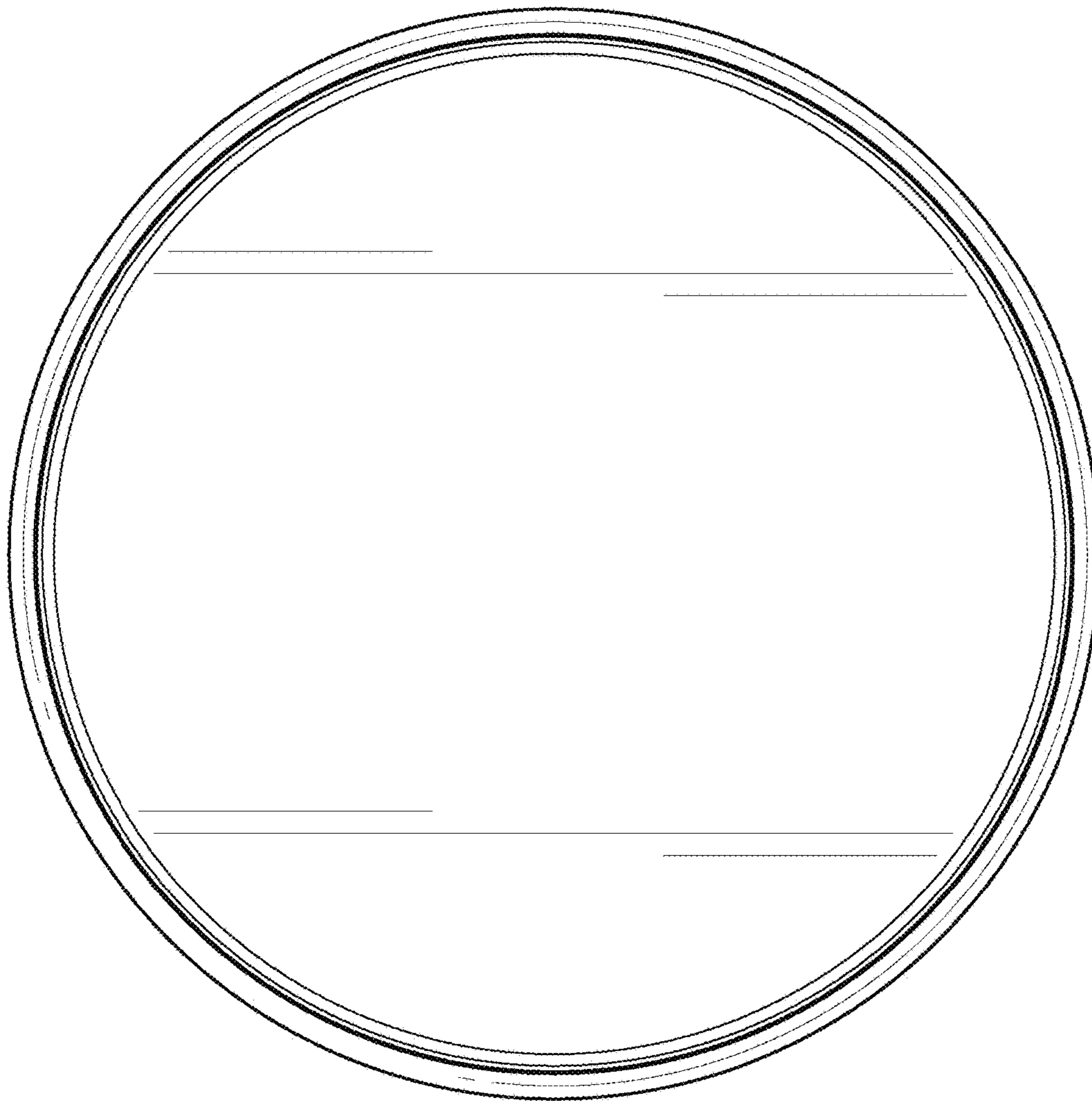


FIG. 3

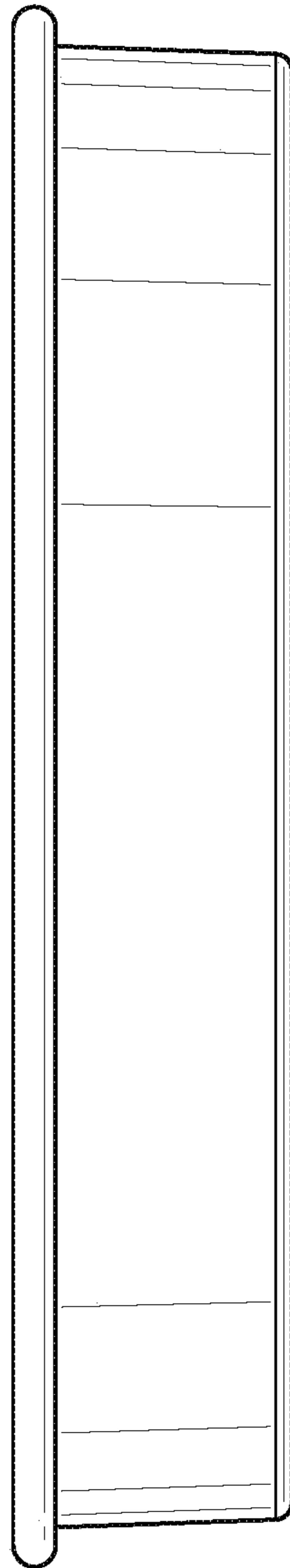


FIG. 4

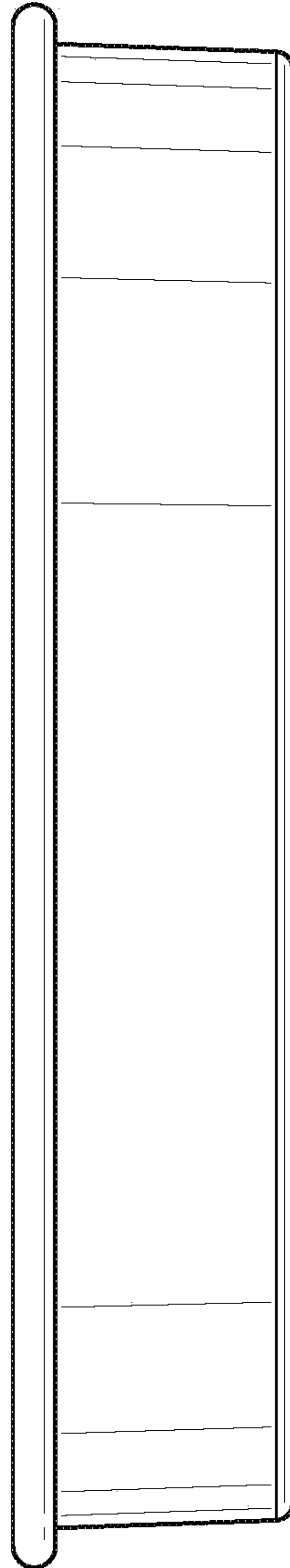


FIG. 5

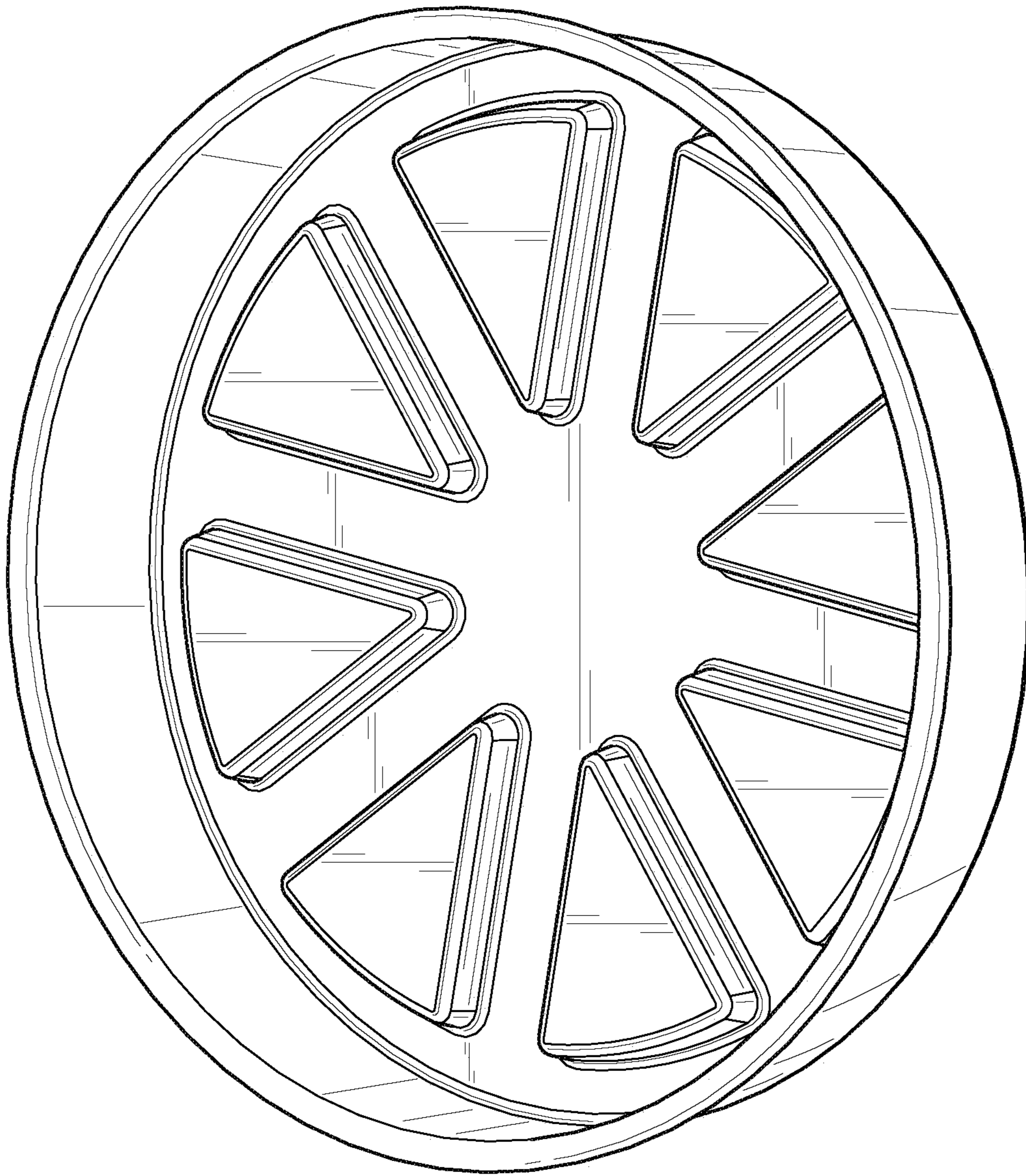


FIG. 6

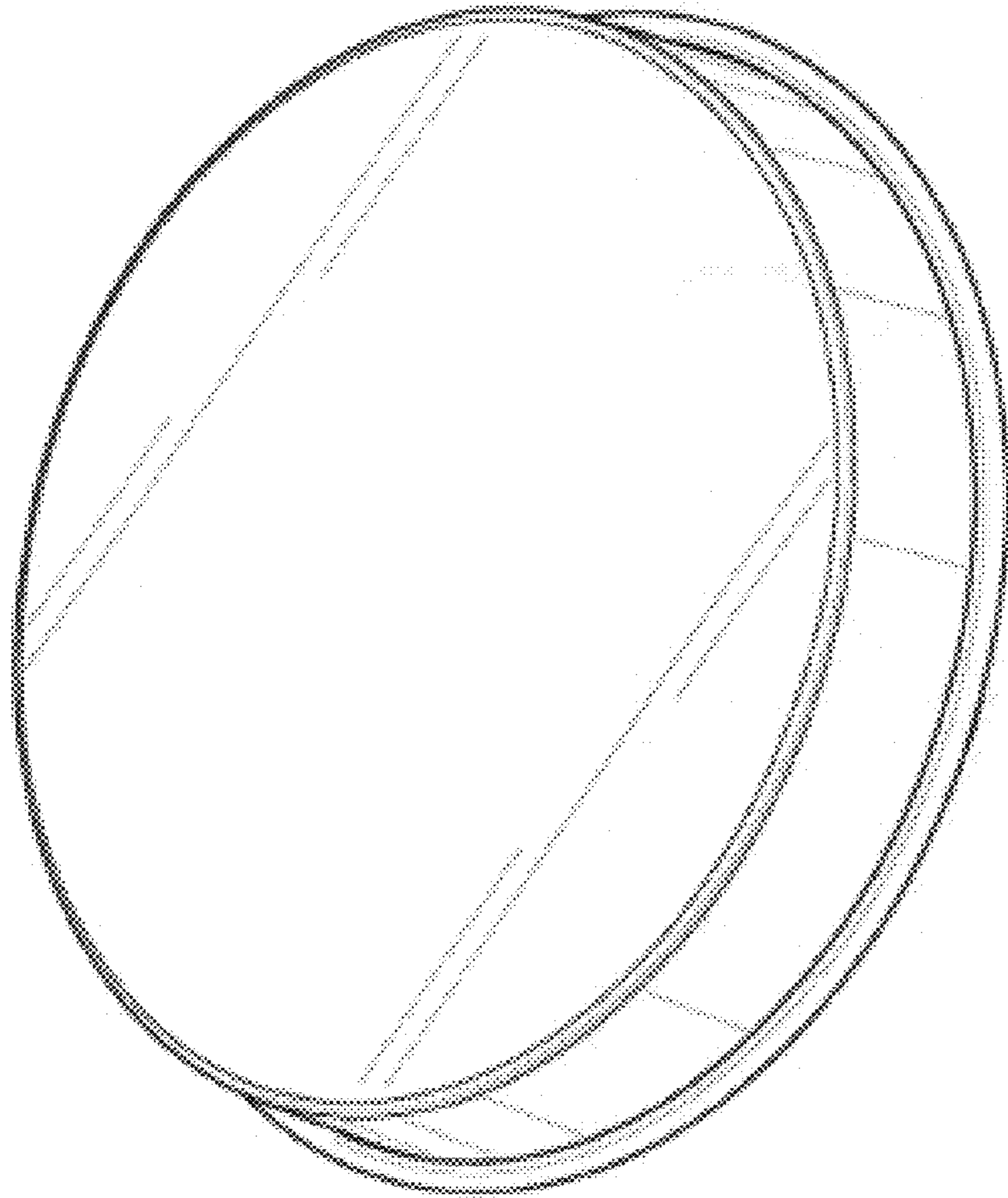


FIG. 7

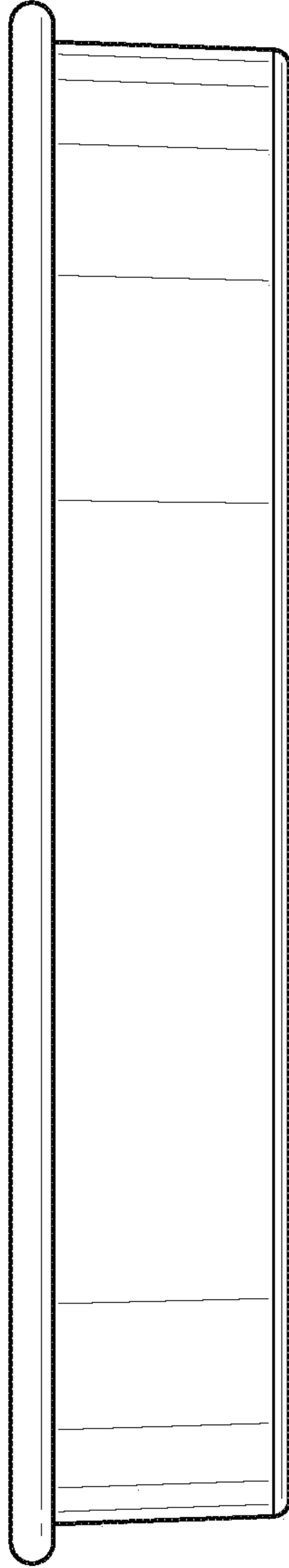


FIG. 8

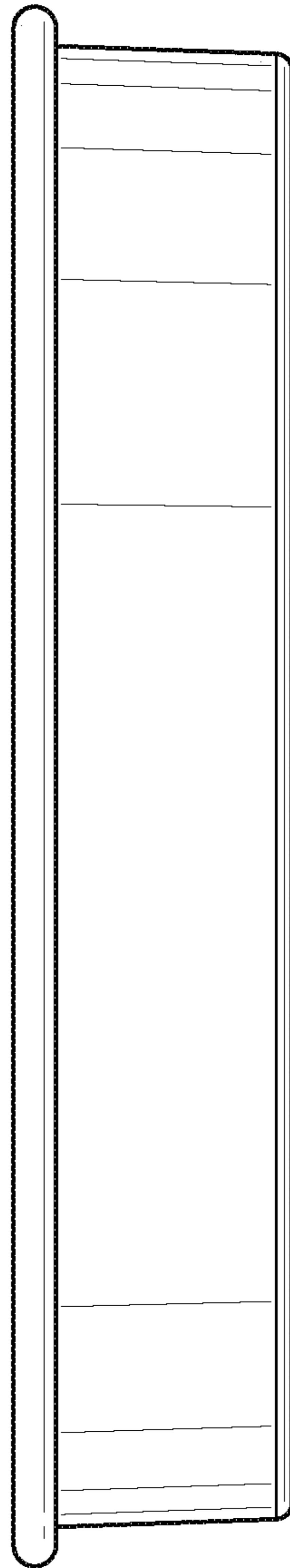


FIG. 9

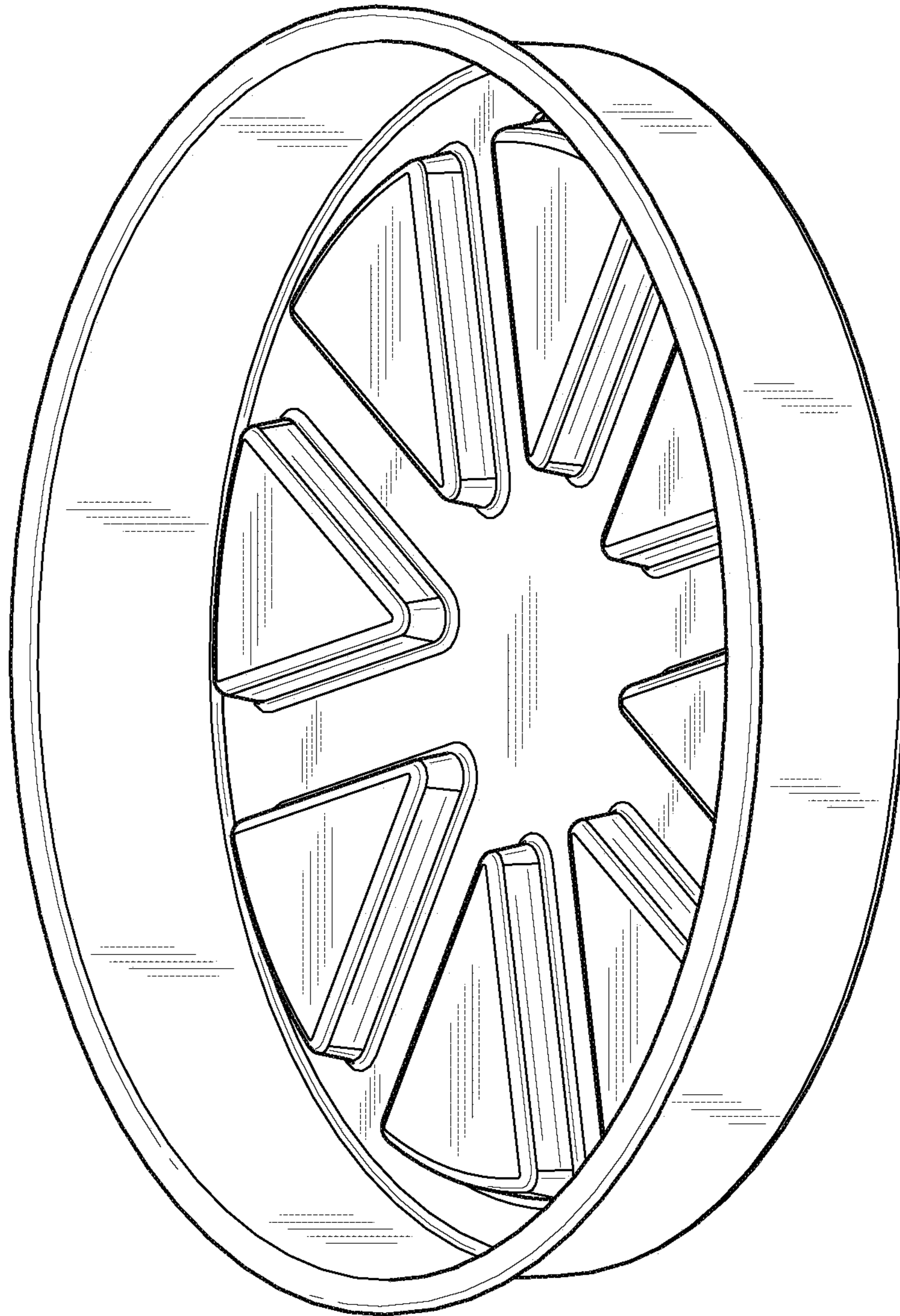


FIG. 10