



US00D830110S

(12) **United States Design Patent**
Mirchandani et al.

(10) **Patent No.:** **US D830,110 S**
(45) **Date of Patent:** **** *Oct. 9, 2018**

(54) **COOKING APPARATUS**

(71) Applicant: **Tristar Products, Inc.**, Fairfield, NJ (US)
(72) Inventors: **Keith Mirchandani**, Fairfield, NJ (US); **Paul McGrath**, Flanders, NJ (US); **James Mitrik**, Long Pond, PA (US); **Alejandro G. Lozano**, Guttenberg, NJ (US); **Michael Patrick Dugan**, Boca Raton, FL (US)

(73) Assignee: **Tristar Products, Inc.**, Fairfield, NJ (US)

(*) Notice: This patent is subject to a terminal disclaimer.

(**) Term: **15 Years**

(21) Appl. No.: **29/596,010**

(22) Filed: **Mar. 3, 2017**

(51) **LOC (11) Cl.** **07-02**

(52) **U.S. Cl.**
USPC **D7/359; D7/354; D7/357**

(58) **Field of Classification Search**
USPC D7/323, 354–361, 400, 543, 545, 549, D7/550.1, 553.1–553.8, 554.1–554.4, 555, D7/584, 586, 624.1; D8/499; D9/430–433, 455–456, 737, 756–762
CPC A21B 3/00; A21B 3/13; A21B 3/15; A21B 3/134; A21B 5/00; A21B 5/02; A47G 19/02; A47G 23/03; A47J 36/022; A47J 36/025; A47J 36/027; A47J 37/00; A47J 37/04; B65D 1/22; B65D 1/24; B65D 1/34; B65D 1/36; B65D 5/48004; B65D 81/343; B65D 85/36

See application file for complete search history.

(56) **References Cited**

U.S. PATENT DOCUMENTS

476,340 A * 6/1892 Wagandt A21B 3/13
220/575
2,080,125 A * 5/1937 Frost B65D 1/34
220/645

(Continued)

FOREIGN PATENT DOCUMENTS

DE 102013202315 A1 8/2014
GB 475619 A 11/1937
WO WO-9935059 A1 7/1999

Primary Examiner — Ricky Pham

(74) *Attorney, Agent, or Firm* — Adler Pollock & Sheehan P.C.; Daniel J. Holmader, Esq.

(57) **CLAIM**

The ornamental design for a cooking apparatus, as shown and described.

DESCRIPTION

The file of this patent contains at least one drawing executed in color. Copies of this patent with color drawings will be provided by the Office upon request and payment of the necessary fee.

FIG. 1 is a front perspective view of a cooking apparatus in accordance with the subject disclosure.

FIG. 2 is a top view of the cooking apparatus of FIG. 1.

FIG. 3 is a bottom view of the cooking apparatus of FIG. 1.

FIG. 4 is a front view of the cooking apparatus of FIG. 1.

FIG. 5 is a rear view of the cooking apparatus of FIG. 1.

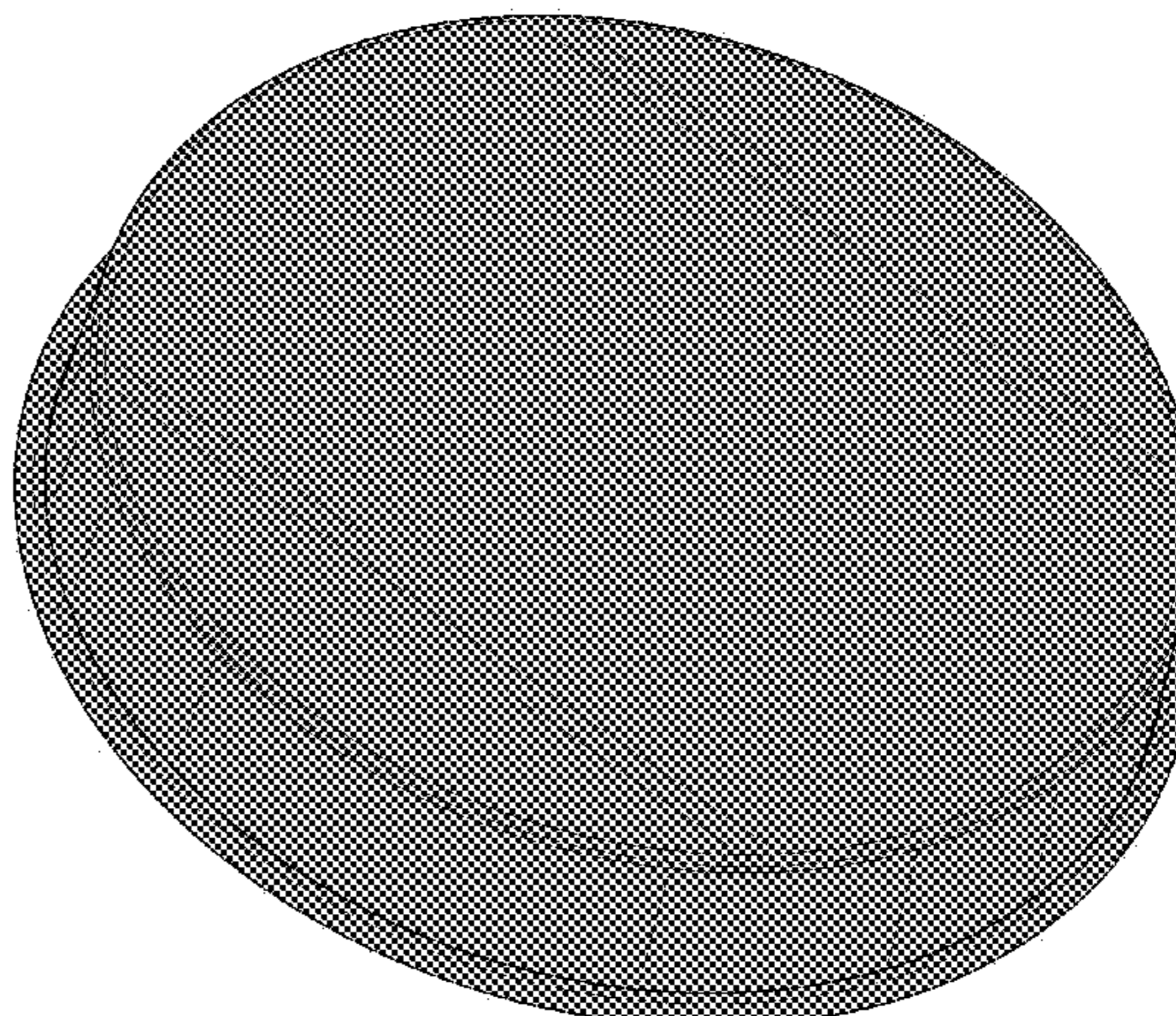
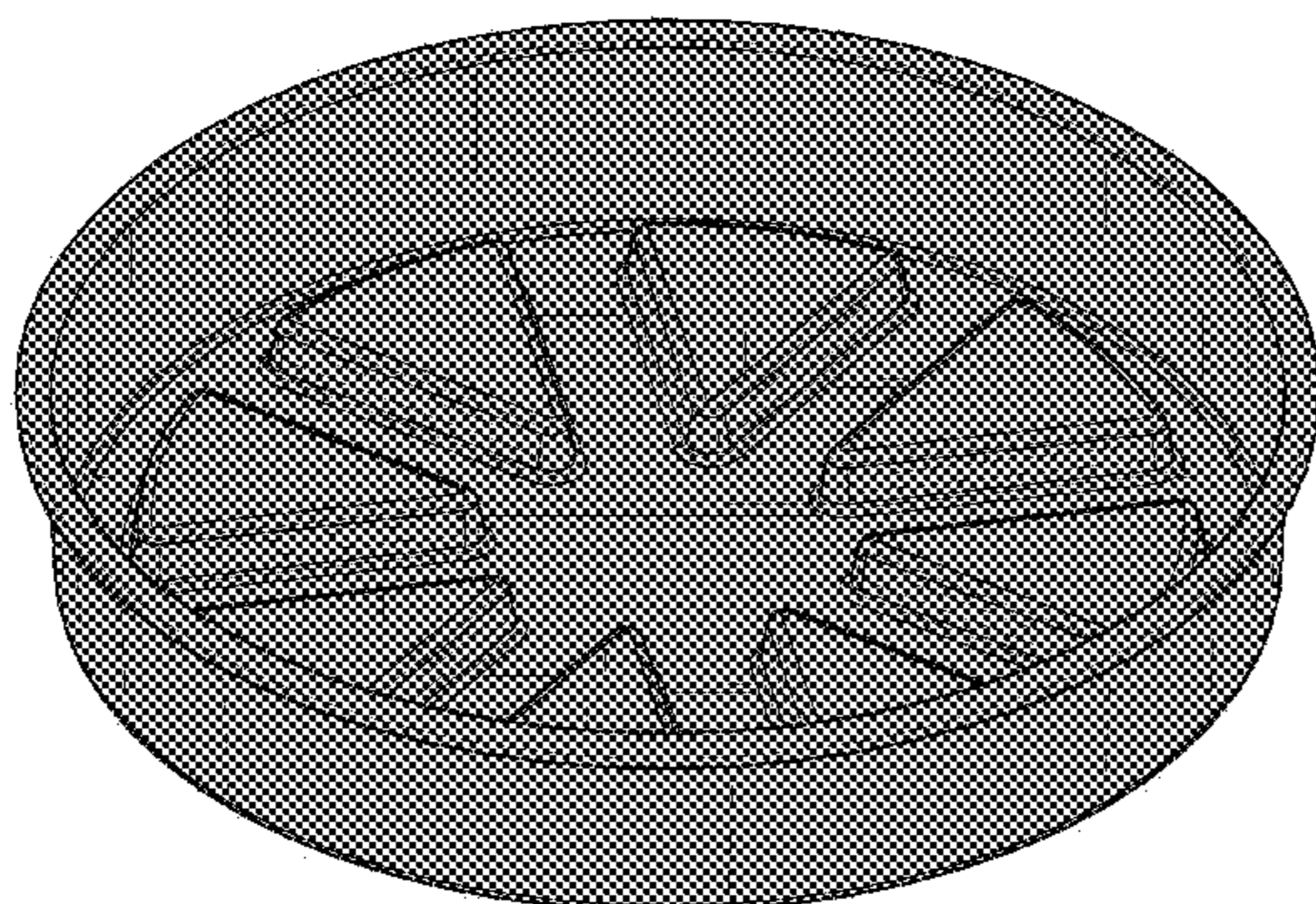
FIG. 6 is a top perspective view of the cooking apparatus of FIG. 1.

FIG. 7 is a bottom perspective view of the cooking apparatus of FIG. 1.

FIG. 8 is a right side view of the cooking apparatus of FIG. 1; and,

FIG. 9 is a left side view of the cooking apparatus of FIG. 1.

1 Claim, 9 Drawing Sheets
(9 of 9 Drawing Sheet(s) Filed in Color)



(56)

References Cited

U.S. PATENT DOCUMENTS

2,700,284	A *	1/1955	Lyon, Jr.	A47G 19/02 220/23.8
3,268,198	A *	8/1966	Swett	A47G 23/03 248/346.11
3,771,713	A *	11/1973	Davidson	B65D 5/48004 206/551
D245,384	S *	8/1977	Ashton	215/228
4,644,858	A	2/1987	Liotto et al.	
D332,030	S *	12/1992	Kauffman	D7/624.1
7,478,588	B2	1/2009	Miller et al.	
D598,714	S *	8/2009	Aagaard	D7/554.1
D616,698	S *	6/2010	Lion	D7/354
D622,539	S	8/2010	Simon et al.	
D664,391	S *	7/2012	Hixon	D7/400
D666,086	S *	8/2012	Mundhra	D7/667
D677,973	S *	3/2013	Smallegan	D7/354
8,523,000	B2 *	9/2013	Vovan	B65D 1/34 206/505
8,534,188	B1	9/2013	Winfield	
8,925,446	B2	1/2015	McPheron	
9,107,421	B2	8/2015	Campbell et al.	
9,532,676	B1	1/2017	Winfield	
2005/0217498	A1	10/2005	Miller et al.	
2011/0088566	A1	4/2011	Doxie	
2012/0308701	A1	12/2012	Campbell et al.	

* cited by examiner

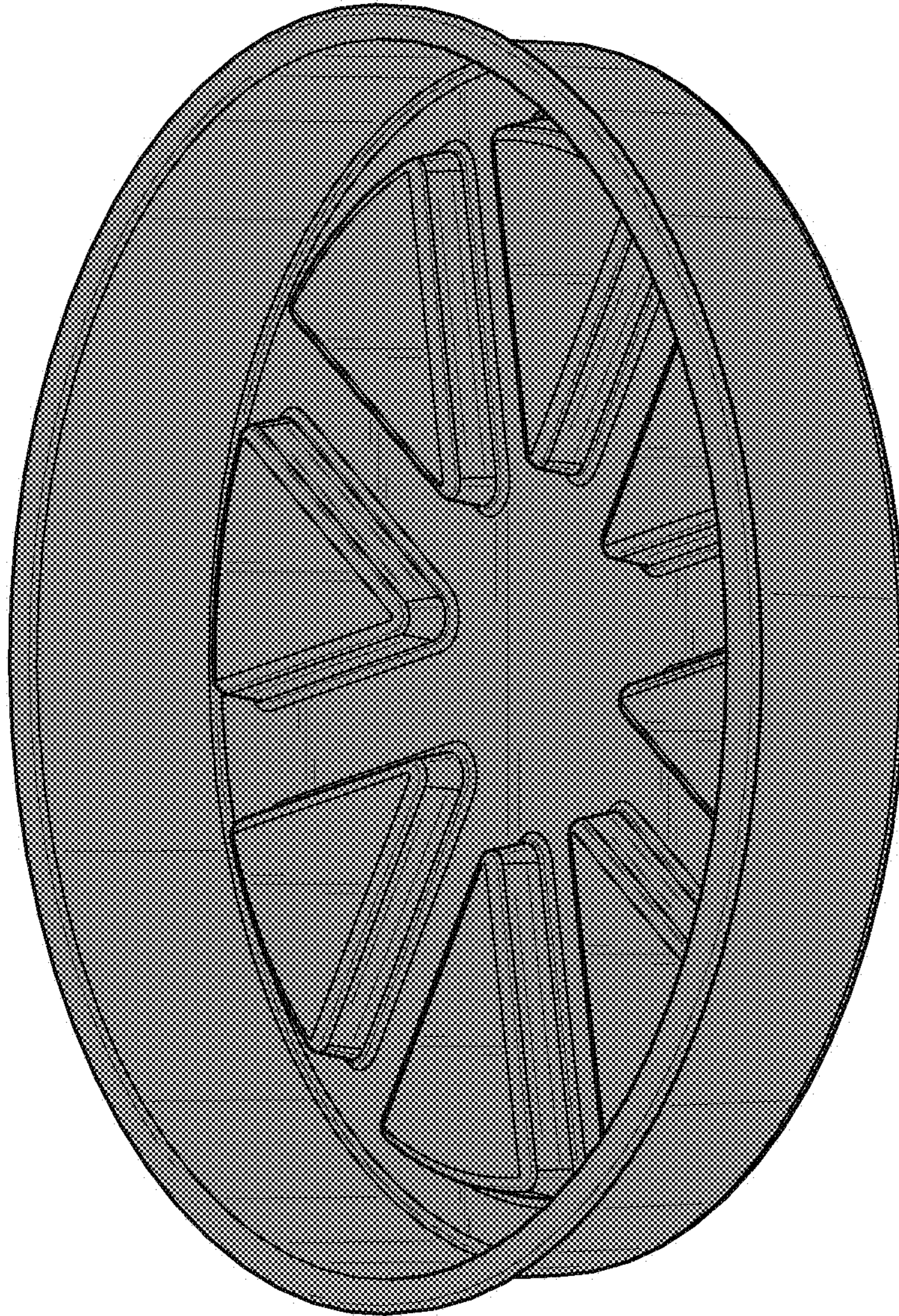


FIG. 1

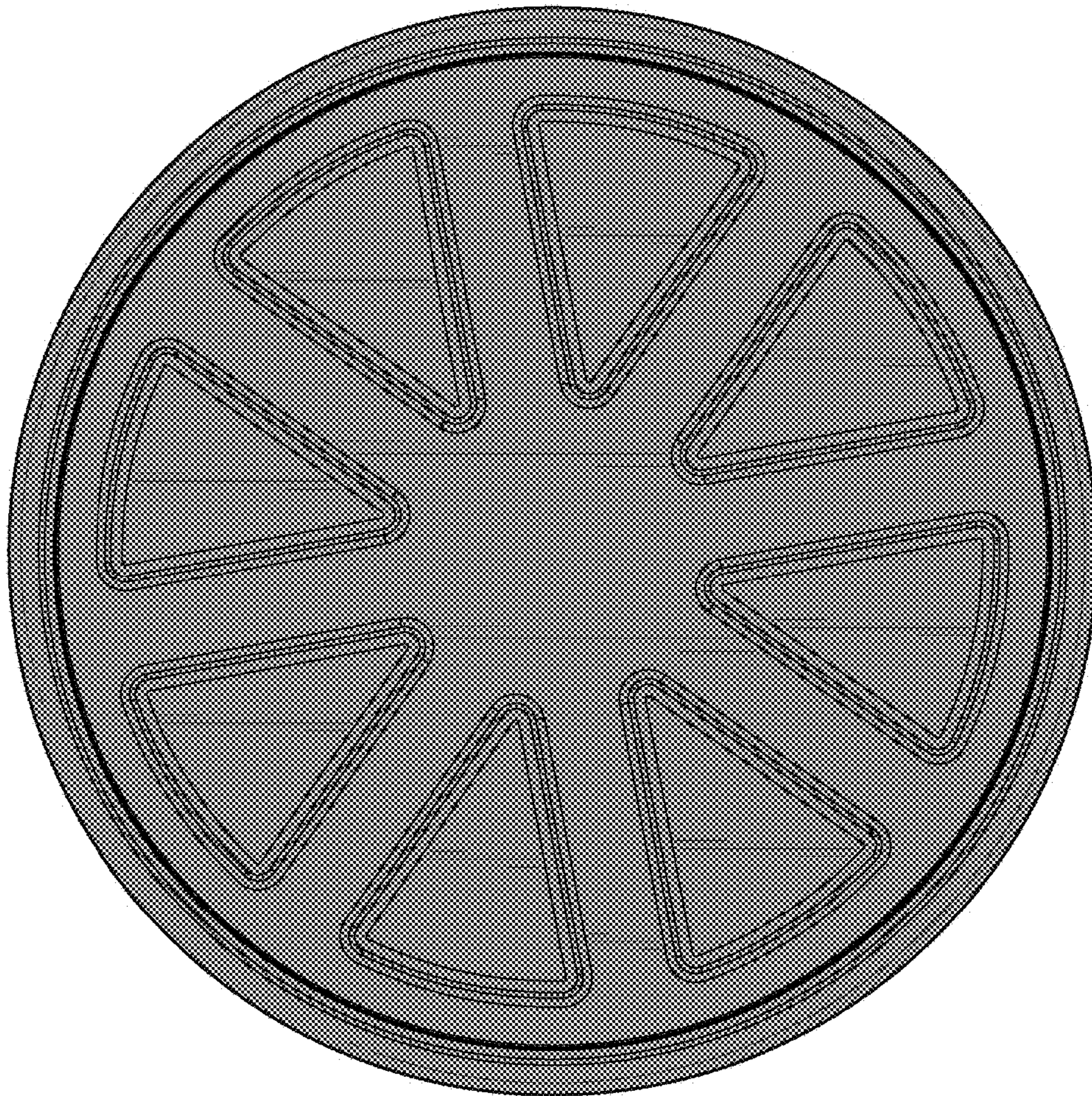


FIG. 2

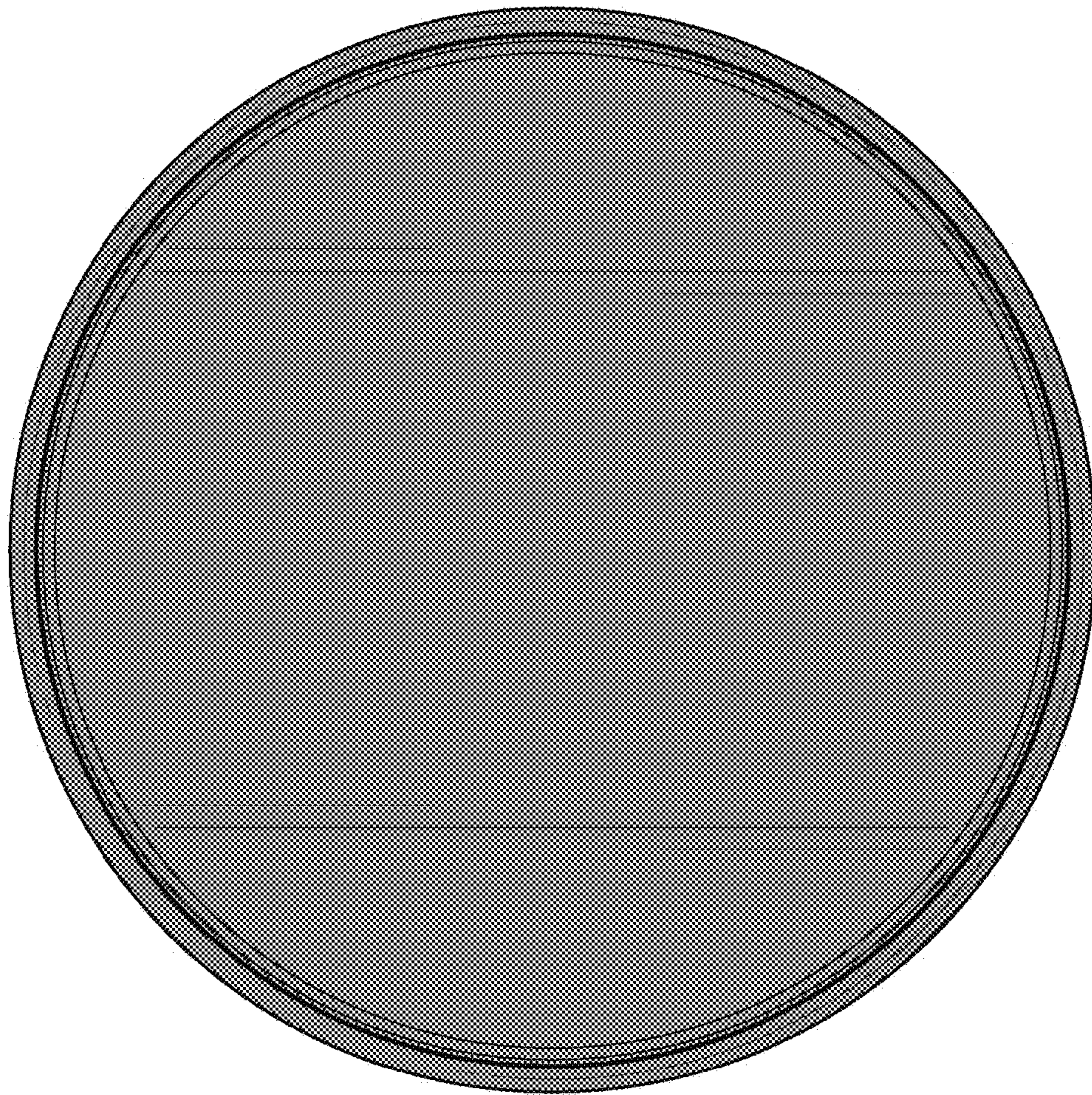


FIG. 3

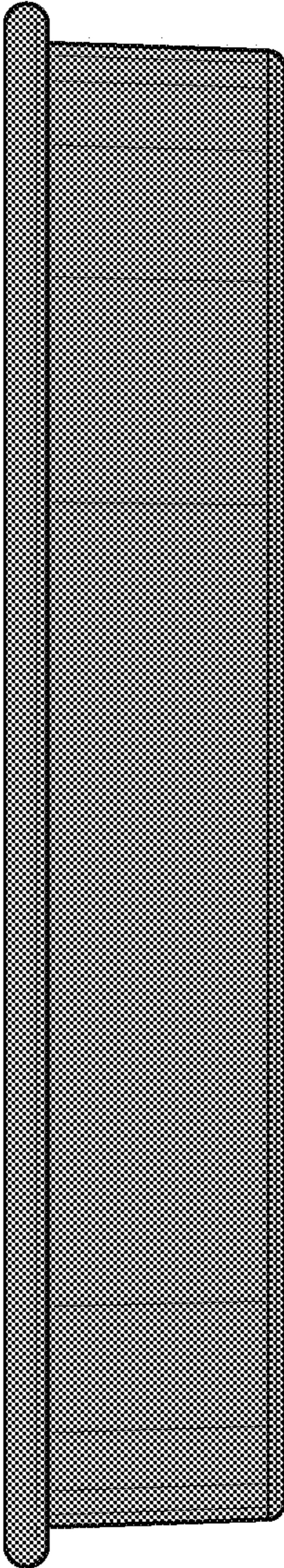


FIG. 4

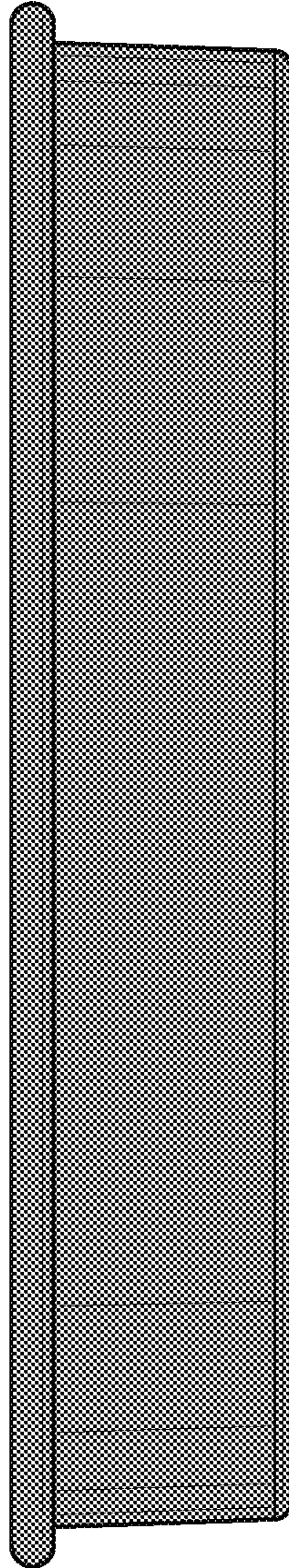


FIG. 5

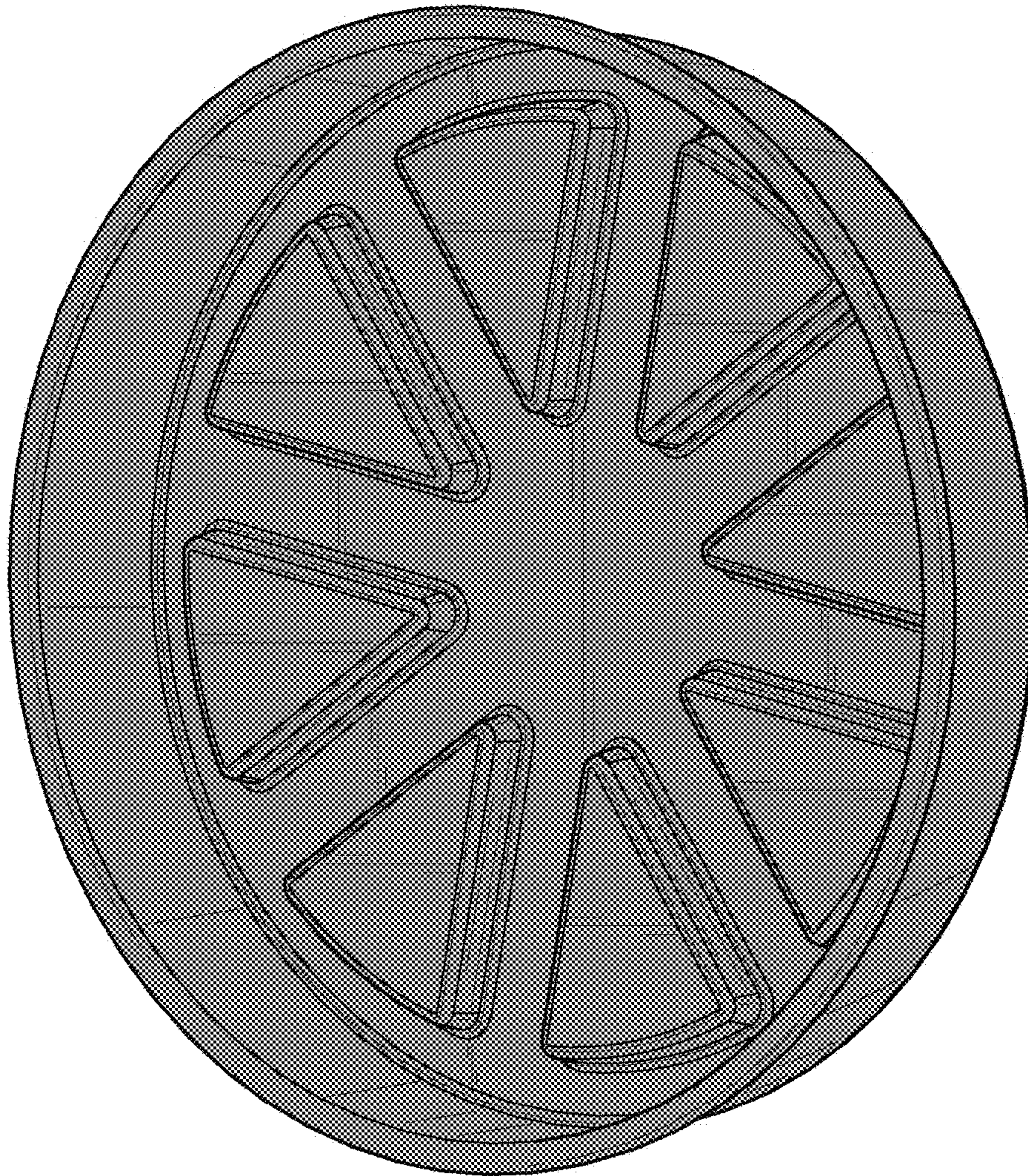


FIG. 6

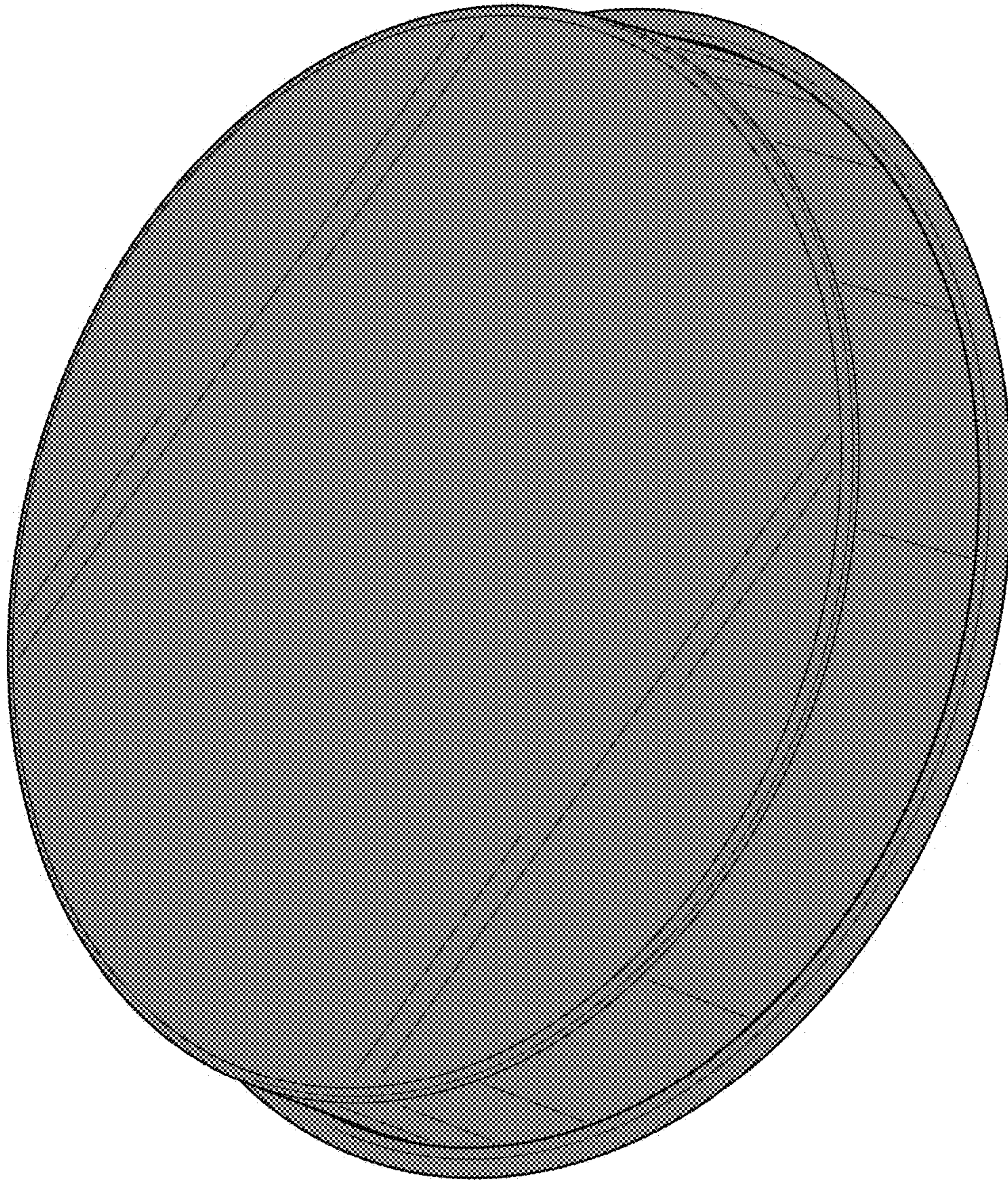


FIG. 7

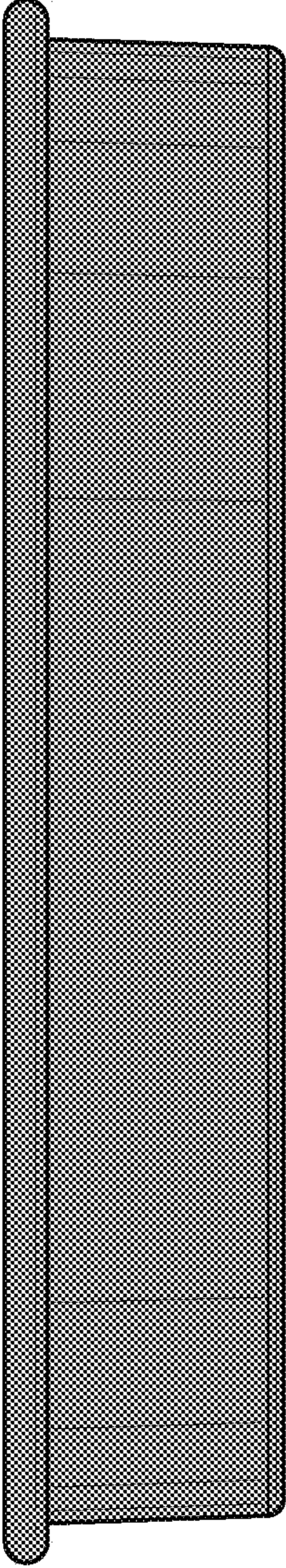


FIG. 8

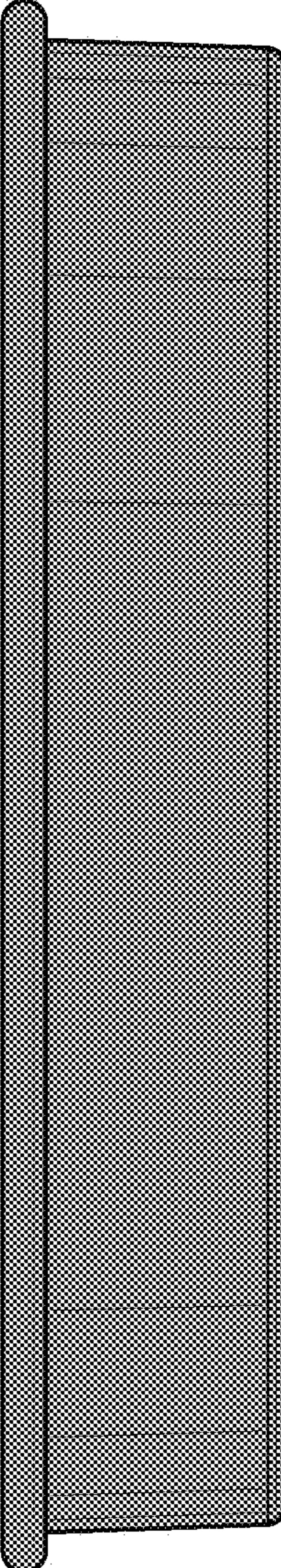


FIG. 9