



US00D830109S

(12) **United States Design Patent** (10) **Patent No.:** **US D830,109 S**
Xiong (45) **Date of Patent:** **** Oct. 9, 2018**

(54) **GRILL PAN**

A45J 37/10; A45J 37/101; A45J 37/103;
A45J 37/1204; A45J 37/0704; H05B
6/06; H05B 6/12; A01K 41/02; A01K
41/026; A01K

(71) Applicant: **Ningbo Tianxiang Electrical Appliances Co., Ltd.**, Cixi, Ningbo, Zhejiang province (CN)

(Continued)

(72) Inventor: **Baikang Xiong**, Cixi (CN)

(56) **References Cited**

(73) Assignee: **NINGBO TIANXIANG ELECTRICAL APPLIANCES CO., LTD.**, Cixi, Ningbo, Zhejiang Province (CN)

U.S. PATENT DOCUMENTS

D339,264 S * 9/1993 Lee D7/354
D359,879 S * 7/1995 Fielding D7/354

(Continued)

(**) Term: **15 Years**

OTHER PUBLICATIONS

(21) Appl. No.: **29/567,600**

Masterpan Divided Grill: Announced Aug. 31, 2015 [online], site visited Mar. 29, 2017. Available from Internet URL: https://www.amazon.com/Master-Pan-Non-Stick-Divided-Skillet/dp/B00Y3ESSQC/ref=sr_1_1?ie=UTF8&qid=1490903607&sr=8-1&keywords=Master+Pan+Divided+Skillet.*

(22) Filed: **Jun. 10, 2016**

(Continued)

(30) **Foreign Application Priority Data**

Dec. 11, 2015 (CN) 2015 3 0522354

(51) **LOC (11) Cl.** **07-02**

(52) **U.S. Cl.** **D7/359**

USPC **D7/359**

(58) **Field of Classification Search**

USPC D3/201, 202, 203.1, 270, 271.1, 304, D3/315, 319; D7/323, 331, 354, 353, D7/356, 357, 359, 390, 402, 409, 550.1, D7/552.1, 553.1, 553.2, 553.7, 554.1, D7/554.3, 554.4, 601; D6/553, 567, 570, D6/571, 675, 677, 681, 683.1; D9/414, D9/428, 430, 432, 436, 755, 759; D24/127, 128, 216, 224, 227, 228, 229, D24/230; D12/163, 197, 415, 425; D21/524, 525, 532; D23/260, 261, 268, D23/397; D26/28; D28/61; D30/129, D30/130, 132, 133

CPC A47G 19/12; A47J 27/00; A47J 27/002; A47J 27/004; A47J 27/08; A47J 27/21; A47J 27/58; A47J 35/025; A47J 45/061; A47J 45/065; A47J 45/071; A47J 45/08; A47J 29/00; A47J 29/02; A47J 29/04; A47J 29/06; A47J 36/025; A45J 37/00;

Primary Examiner — Thomas J Johannes
Assistant Examiner — Catherine S Posthauer
(74) *Attorney, Agent, or Firm* — Muncy, Geissler, Olds & Lowe, P.C.

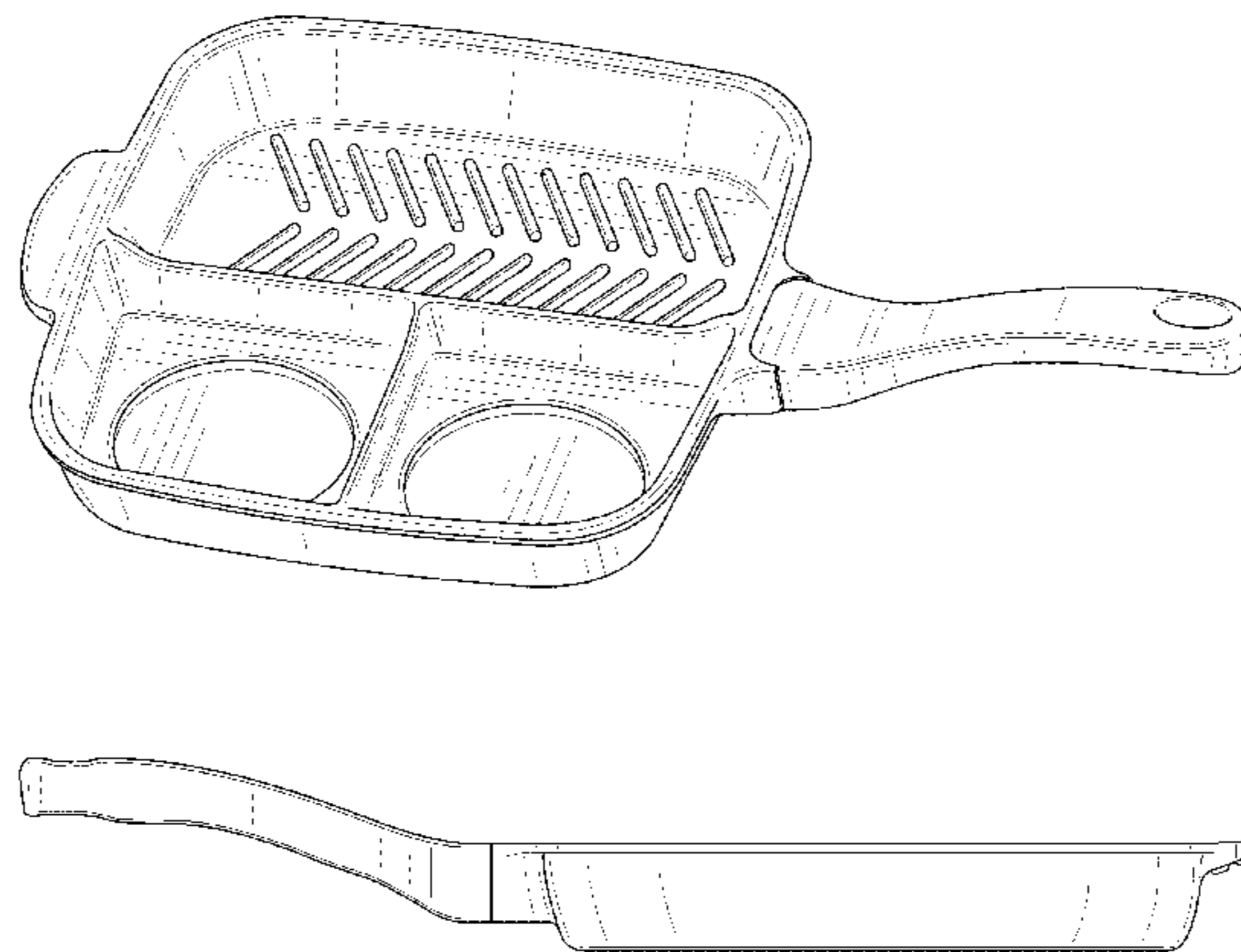
(57) **CLAIM**

The ornamental design for a grill pan, as shown and described.

DESCRIPTION

FIG. 1 is a perspective view of a grill pan showing my new design;
FIG. 2 is a front elevational view thereof;
FIG. 3 is a rear elevational view thereof;
FIG. 4 is a left side view thereof;
FIG. 5 is a right side view thereof;
FIG. 6 is a top plan view thereof; and,
FIG. 7 is a bottom plan view thereof.

(Continued)



The broken lines are shown for the purpose of illustrating parts of the article that form no part of the claim.

1 Claim, 6 Drawing Sheets

(58) Field of Classification Search

CPC 41/04; A23B 5/00; A23B 5/005; A23B 5/0052; B65D 11/02
See application file for complete search history.

(56) References Cited

U.S. PATENT DOCUMENTS

D376,296	S *	12/1996	Dunn	D7/553.5
5,857,583	A *	1/1999	Chantaca	A47G 19/065 206/564
D427,842	S *	7/2000	Iacchetti	D7/359
D440,118	S *	4/2001	Claffy	D7/553.1
6,298,775	B1 *	10/2001	Chen	A47J 45/061 16/111.1
D461,406	S *	8/2002	Iacovelli	D9/432
D470,711	S *	2/2003	Kloppsteck	D7/359
D511,929	S *	11/2005	Coppi	D7/359
D553,817	S *	10/2007	Moon	D32/53.1
D563,727	S *	3/2008	Lovett	D7/553.3
D672,395	S *	12/2012	Chuang	D19/77

D672,604	S *	12/2012	Upston	D7/354
D677,974	S *	3/2013	Cloutier	D7/354
D680,379	S *	4/2013	Lackey	D7/553.2
D682,682	S *	5/2013	Biery	D9/432
D695,113	S *	12/2013	Biery	D9/432
D700,803	S *	3/2014	Hamlin	D7/409
D707,077	S *	6/2014	Sarnoff	D7/354
D711,196	S *	8/2014	May	D7/637
D729,588	S *	5/2015	Breton	D7/553.2
D761,614	S *	7/2016	Zemel	D7/354
D774,349	S *	12/2016	Zemel	D7/354
D779,871	S *	2/2017	Zemel	D7/354
2003/0006156	A1 *	1/2003	McCracken	B44C 7/02 206/373

OTHER PUBLICATIONS

Master Pan Non-Stick Skillet: Announced Nov. 19, 2016 [online], site visited Mar. 30, 2017. Available from Internet URL: https://www.amazon.com/MasterPan-Non-Stick-Section-Skillet-Black/dp/B01M0VUIRD/ref=sr_1_2?ie=UTF8&qid=1490903816&sr=8-2&keywords=Master+Pan+Non-Stick+Skillet.*

Master Pan Meal Skillet: Announced Mar. 30, 2017 [online], site visited Mar. 30, 2017. Available from Internet URL: https://www.amazon.com/Master-Pan-Non-Stick-Divided-Skillet/dp/B00Y3ESSQC/ref=sr_1_1?ie=UTF8&qid=1490903854&sr=8-1&keywords=Master+Pan+Meal+Skillet.*

* cited by examiner

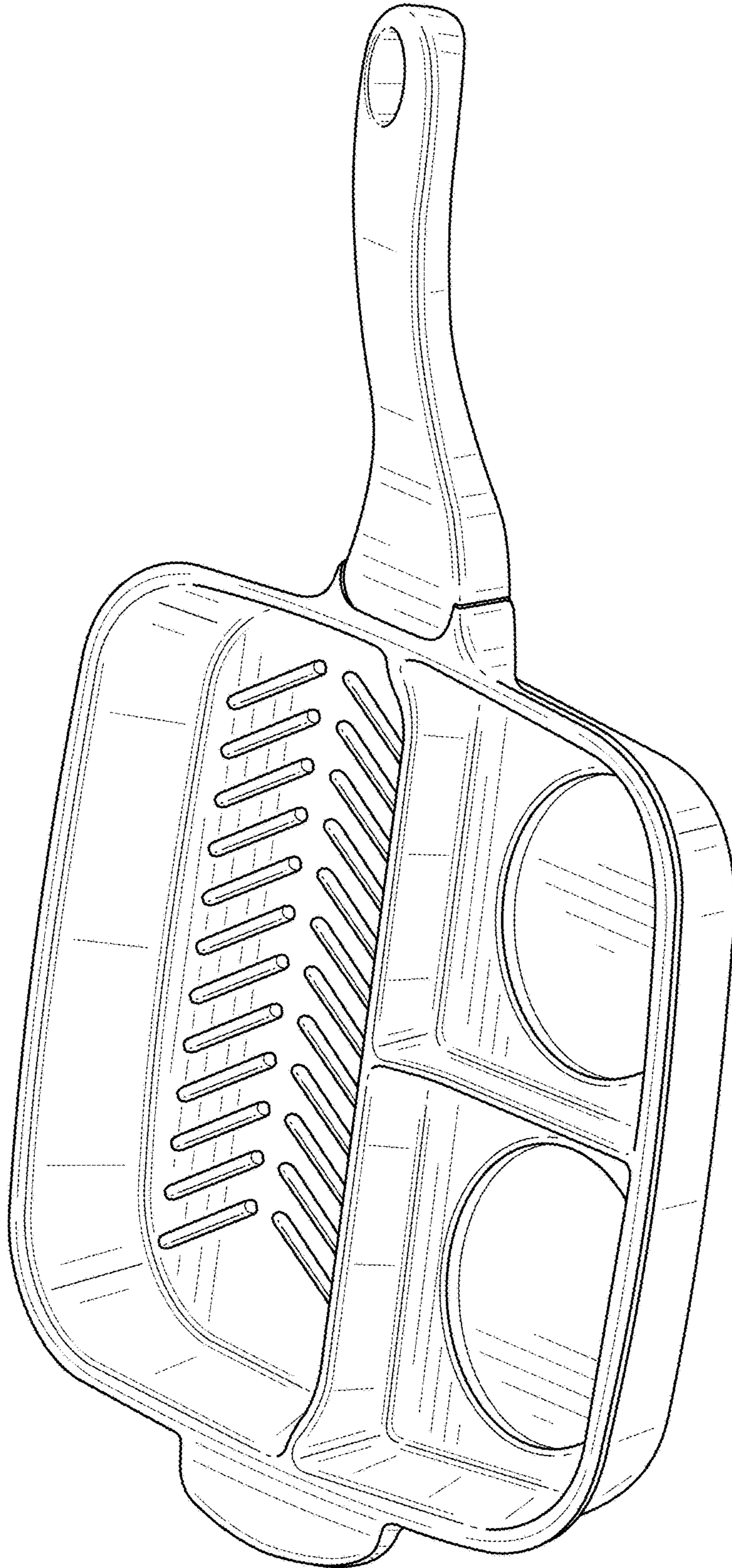


FIG. 1

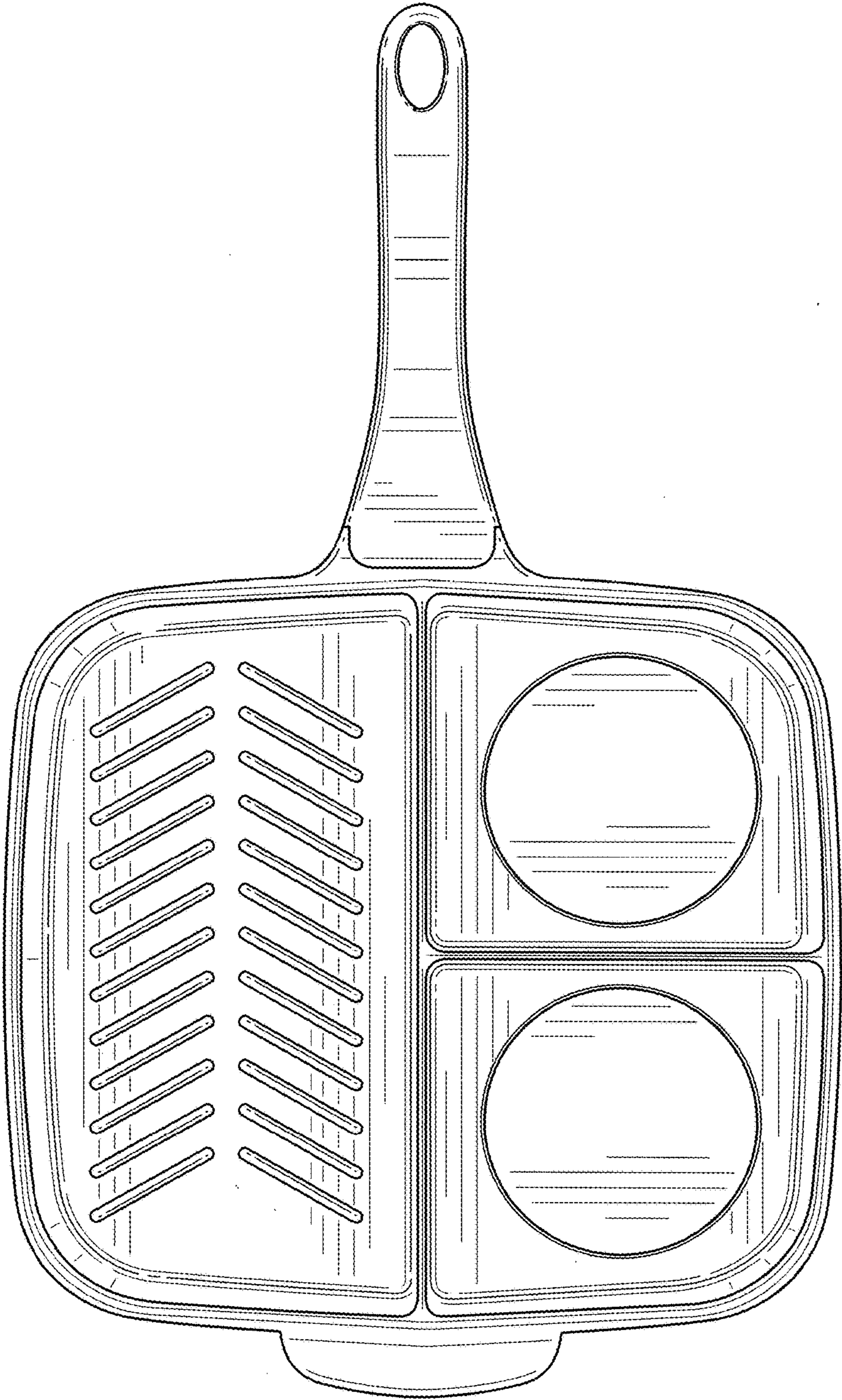


FIG. 2

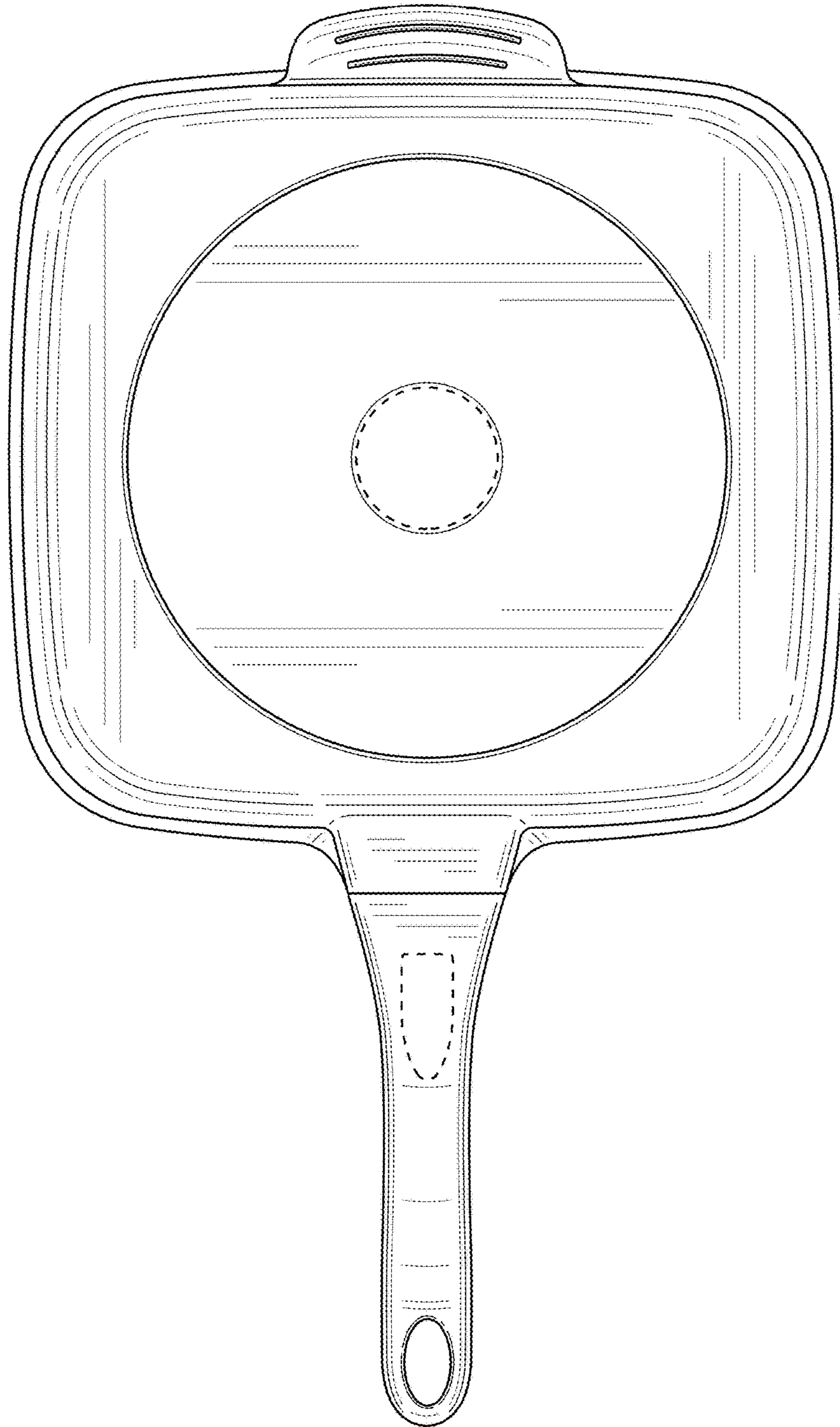


FIG. 3

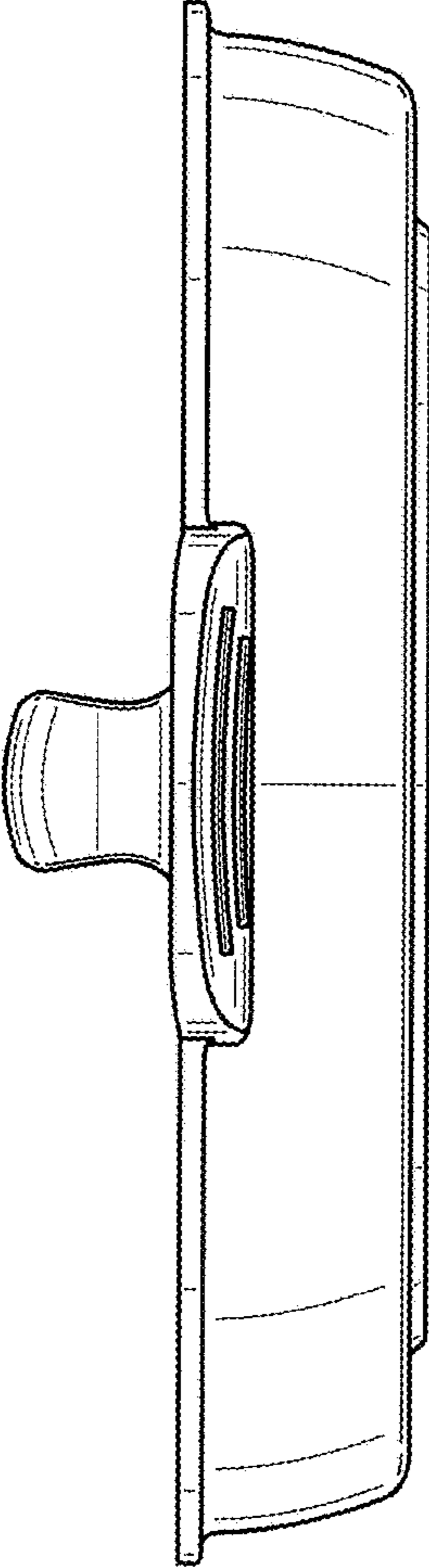


FIG. 4

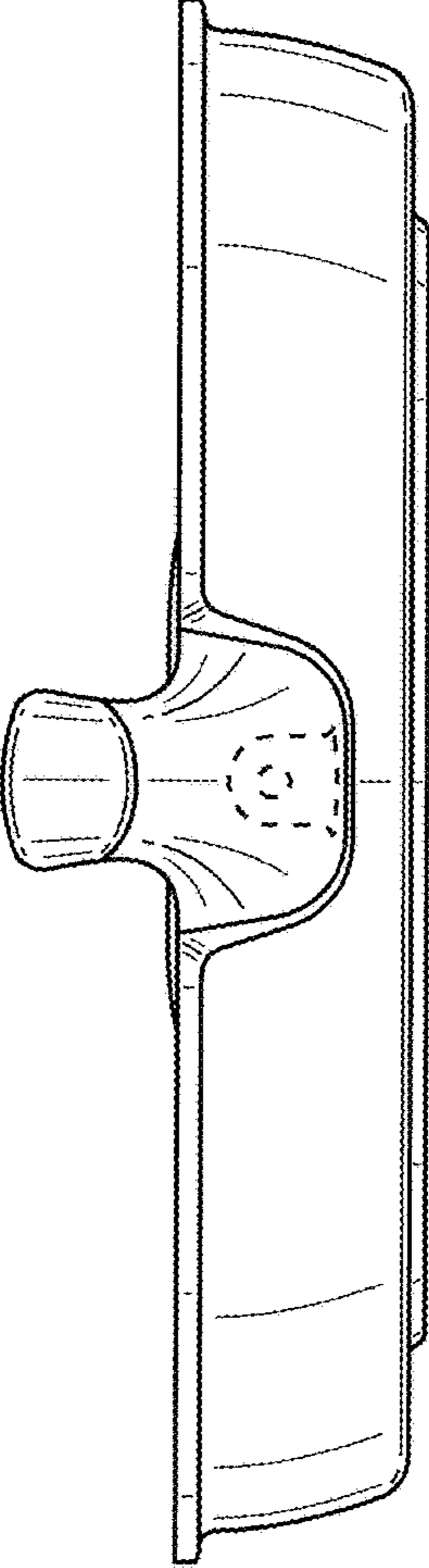


FIG. 5

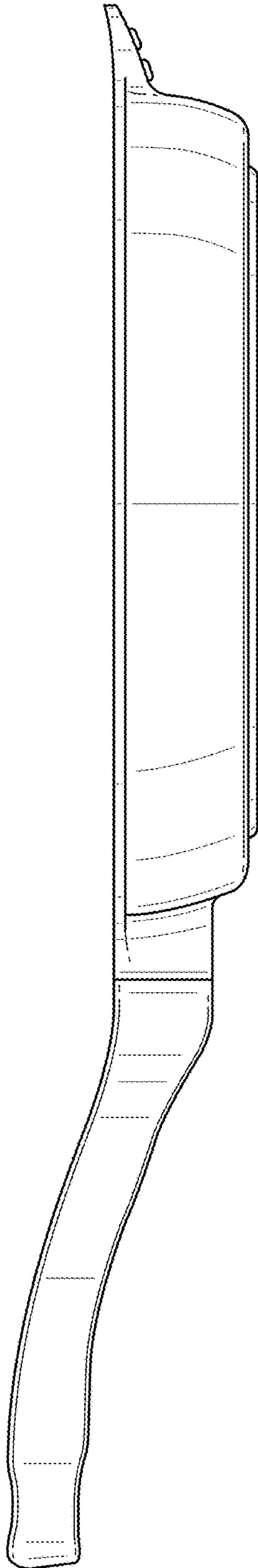


FIG. 6

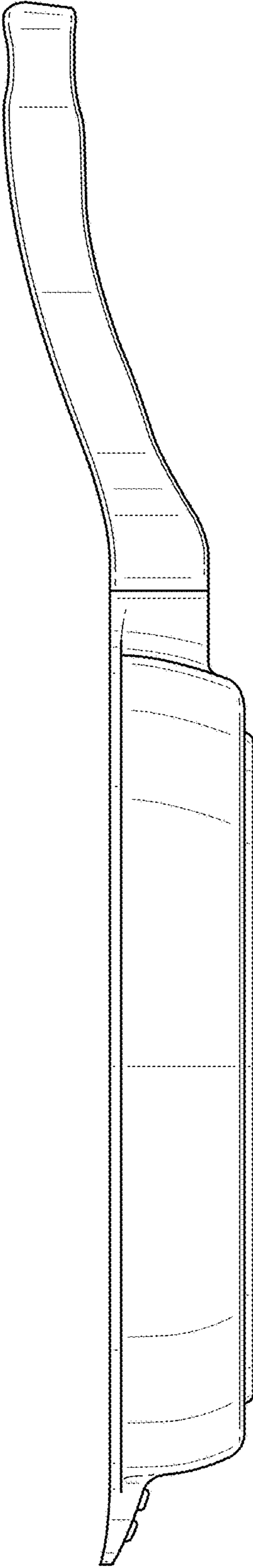


FIG. 7