



US00D830108S

(12) **United States Design Patent** (10) **Patent No.:** **US D830,108 S**
Azumi (45) **Date of Patent:** **** Oct. 9, 2018**

(54) **PRESSURE COOKER**
(71) Applicant: **SEB**, Selongey (FR)
(72) Inventor: **Shin Azumi**, Musashino (JP)
(**) Term: **15 Years**
(21) Appl. No.: **35/502,542**
(22) Filed: **Oct. 10, 2016**
(80) **Hague Agreement Data**
Int. Filing Date: **Oct. 10, 2016**
Int. Reg. No.: **DM/094869**
Int. Reg. Date: **Oct. 10, 2016**
Int. Reg. Pub. Date: **Mar. 3, 2017**
(51) **LOC (11) Cl.** **07-02**
(52) **U.S. Cl.**
USPC **D7/358**
(58) **Field of Classification Search**
USPC **D7/323, 354-361, 368, 391, 393**
(Continued)

(56) **References Cited**
U.S. PATENT DOCUMENTS
D445,631 S * 7/2001 Elorza D7/358
D453,661 S * 2/2002 Colletti D7/358
(Continued)

Primary Examiner — Richard E Chilcot

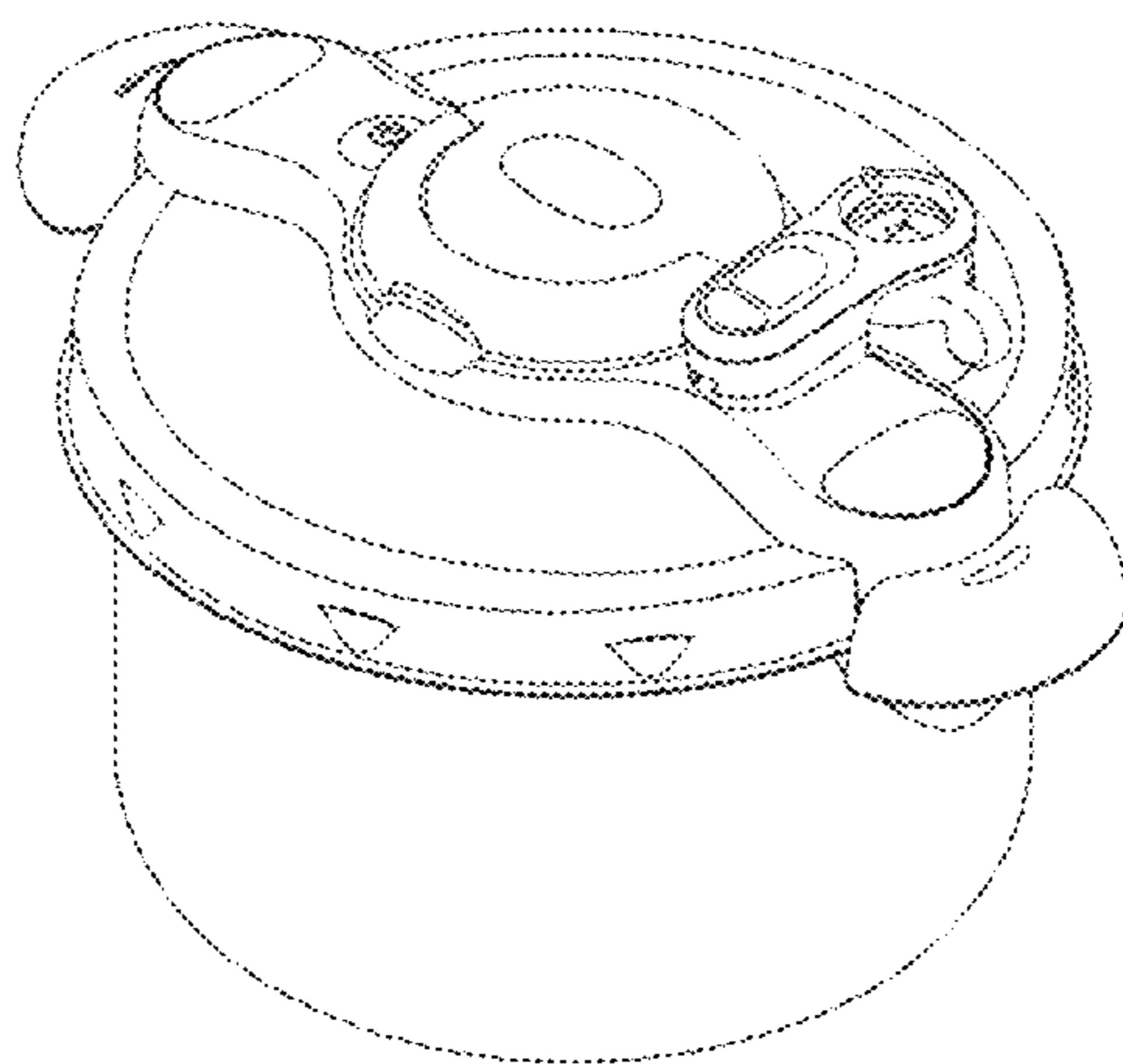
(57) **CLAIM**
The ornamental design of a pressure cooker, as shown and described.

DESCRIPTION

1.1 is a perspective view of a pressure cooker, showing my new design in accordance with an embodiment of the present invention;
1.2 is a front elevation view thereof;
1.3 is a rear elevation view thereof;
1.4 is a right side elevation view thereof;
1.5 is a left side elevation view thereof;
1.6 is a top view thereof;

1.7 is a bottom view thereof;
1.8 is a perspective view of a lid of the pressure cooker according to the embodiment of the present invention;
1.9 is a front elevation view of the lid thereof;
1.10 is a rear elevation view of the lid thereof;
1.11 is a right side elevation view of the lid thereof;
1.12 is a left side elevation view of the lid thereof;
1.13 is a top view of the lid thereof;
1.14 is a bottom view of the lid thereof;
1.15 is a perspective view of a lid module of the pressure cooker according to the embodiment of the present invention;
1.16 is a front elevation view of the lid module thereof;
1.17 is a rear elevation view of the lid module thereof;
1.18 is a right side elevation view of the lid module thereof;
1.19 is a left side elevation view of the lid module thereof;
1.20 is a top view of the lid module thereof;
1.21 is a bottom view of the lid module thereof;
1.22 is a perspective view of a pressure cooker, showing my new design in accordance with an embodiment of the present invention;
1.23 is a front elevation view thereof;
1.24 is a rear elevation view thereof;
1.25 is a right side elevation view thereof;
1.26 is a left side elevation view thereof;
1.27 is a top view thereof;
1.28 is a bottom view thereof;
1.29 is a perspective view of a lid of the pressure cooker according to the embodiment of the present invention;
1.30 is a front elevation view of the lid thereof;
1.31 is a rear elevation view of the lid thereof;
1.32 is a right side elevation view of the lid thereof;
1.33 is a left side elevation view of the lid thereof;
1.34 is a top view of the lid thereof;
1.35 is a bottom view of the lid thereof;
1.36 is a perspective view of a lid module of the pressure cooker according to the embodiment of the present invention;
1.37 is a front elevation view of the lid module thereof;
1.38 is a rear elevation view of the lid module thereof;
1.39 is a right side elevation view of the lid module thereof;
1.40 is a left side elevation view of the lid module thereof;
1.41 is a top view of the lid module thereof; and
1.42 is a bottom view of the lid module thereof.

1 Claim, 42 Drawing Sheets



(52) **U.S. Cl.**
CPC *A47J 27/00* (2013.01)

(58) **Field of Classification Search**
CPC A47J 27/00; A47J 27/004; A47J 27/08;
A47J 27/0802; A47J 27/0804; A47J
27/0811; A47J 27/0813; A47J 27/0815;
A47J 27/0817; A47J 27/084; A47J 27/09;
A47J 27/092; A47J 27/62; A47J 36/025;
A47J 36/06; A47J 37/12; A47J 37/1204;
A47J 37/1209; A47J 45/07; A47J 45/071;
A47J 45/074; A47J 45/08; B01D
2201/345; B01J 3/03; B01J 3/04; F01P
2011/0247; F01P 2011/0252; H05B 6/00;
H05B 6/02; H05B 6/06

See application file for complete search history.

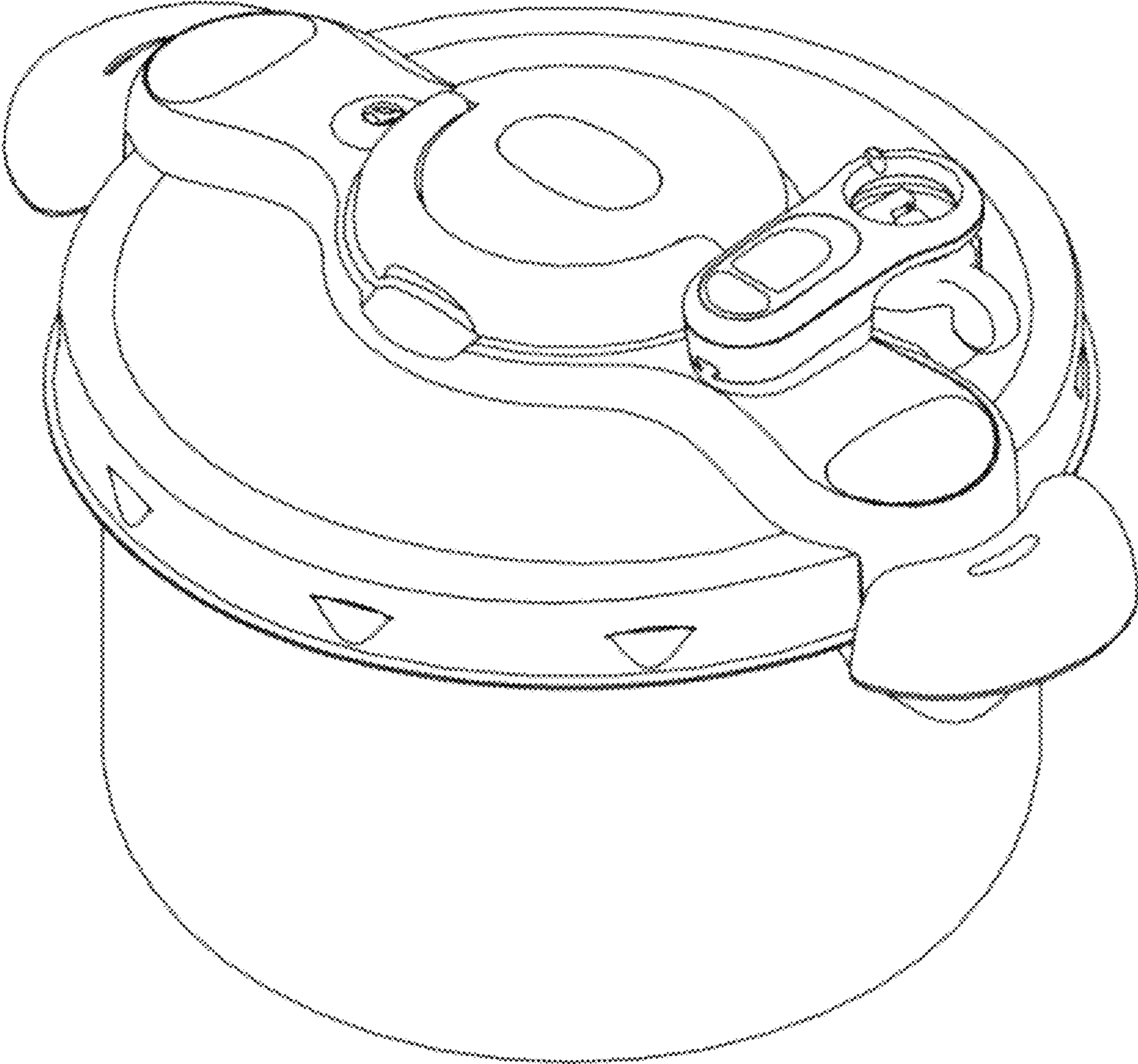
(56) **References Cited**

U.S. PATENT DOCUMENTS

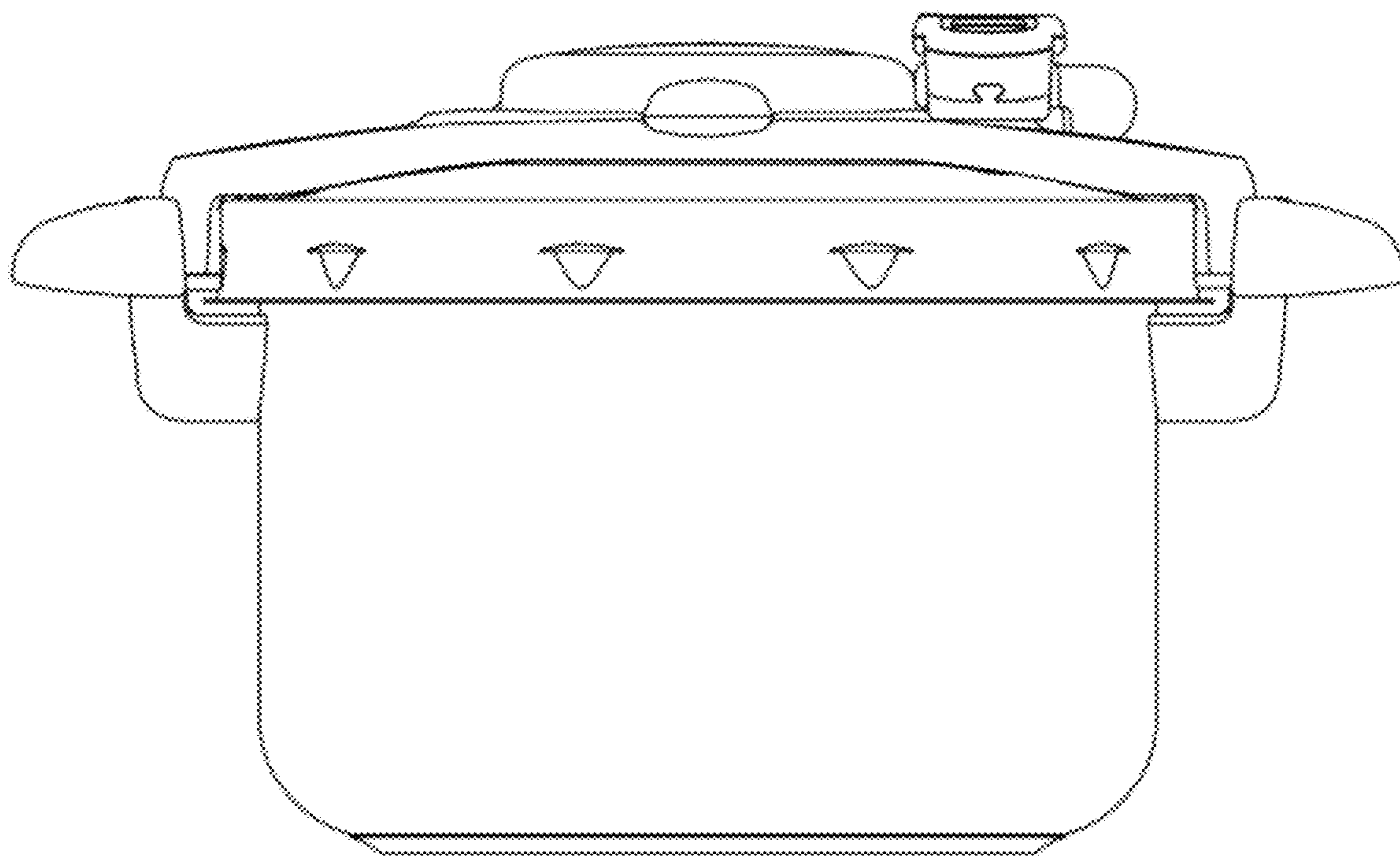
D486,352 S *	2/2004	Park	D7/358
D570,153 S *	6/2008	Bergara	D7/358
D641,203 S *	7/2011	Josancy	D7/354
D642,422 S *	8/2011	Averty	D7/354
D646,115 S *	10/2011	Thelen	D7/354
D646,116 S *	10/2011	Thelen	D7/354
D646,117 S *	10/2011	Thelen	D7/354
D711,182 S *	8/2014	Roussard	D7/354
D802,987 S *	11/2017	Corlay	D7/358

* cited by examiner

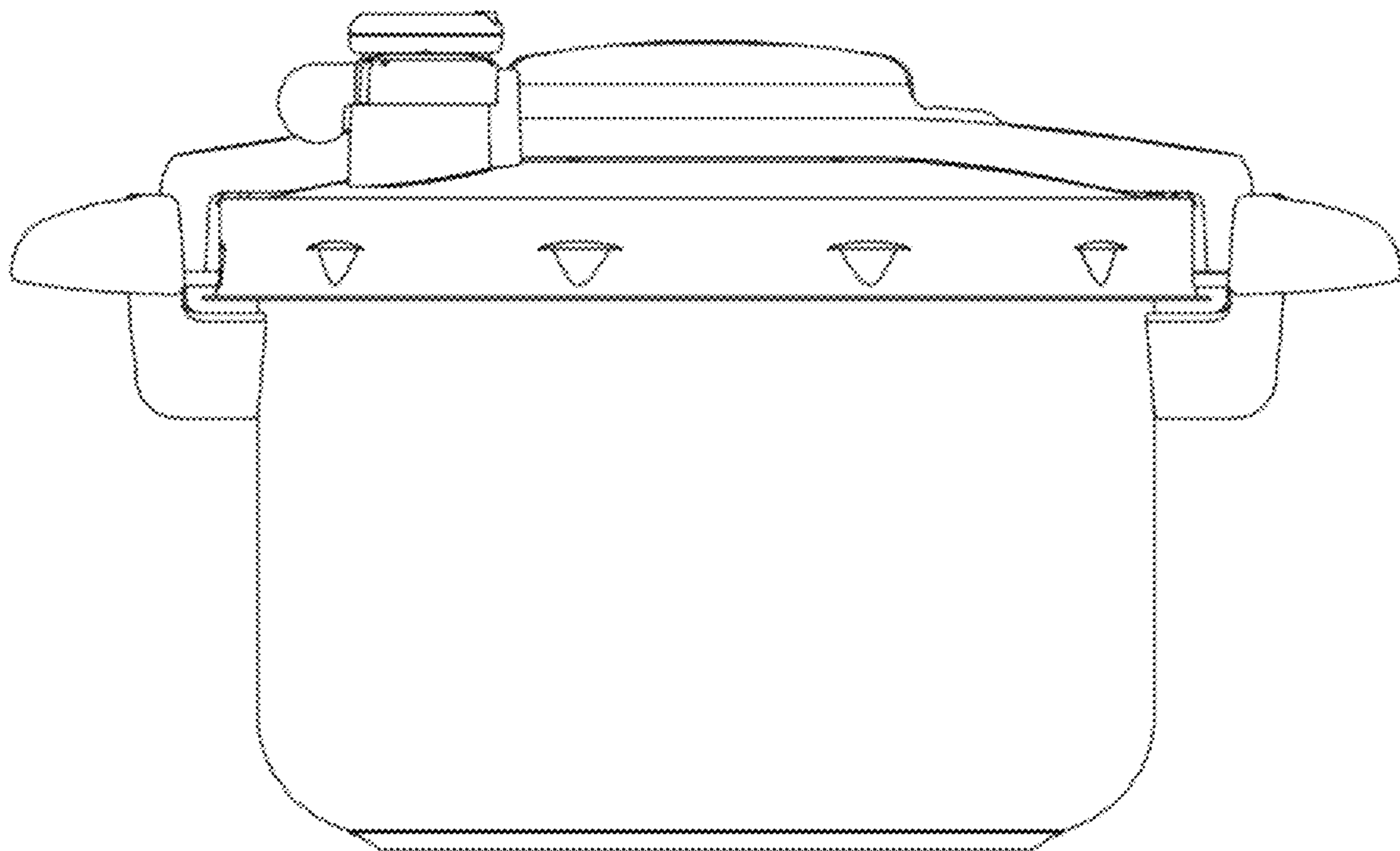
1.1



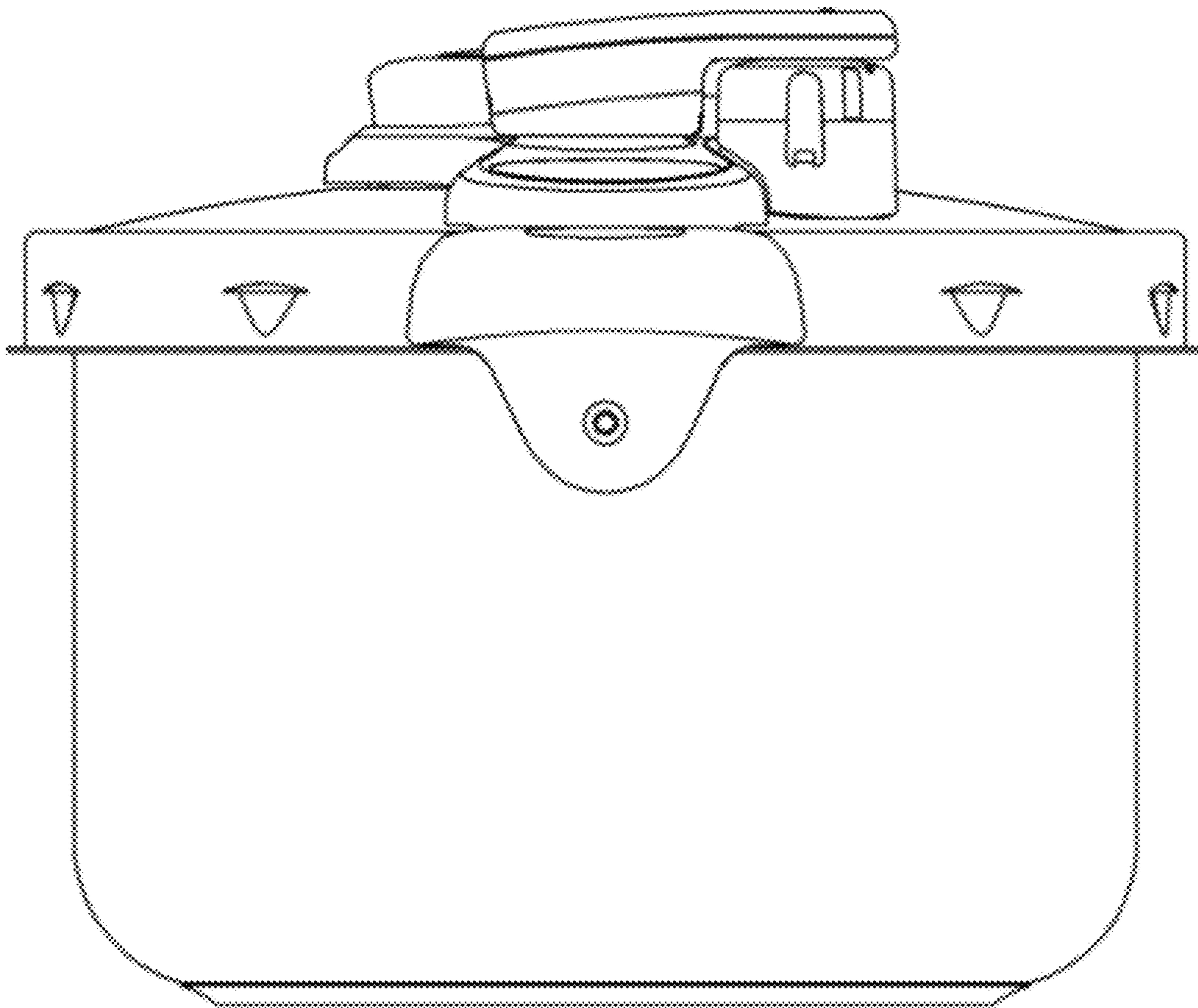
1.2



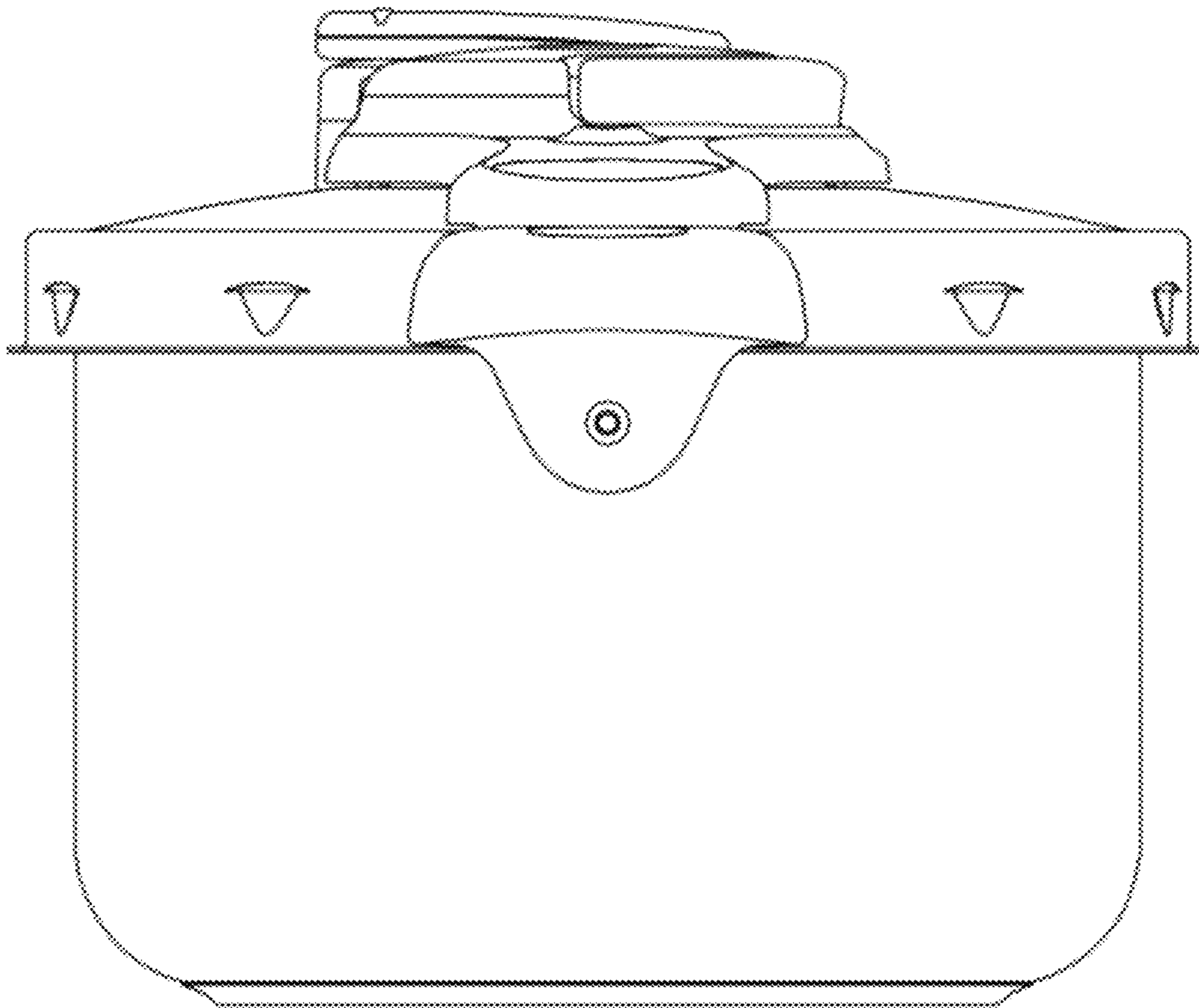
1.3



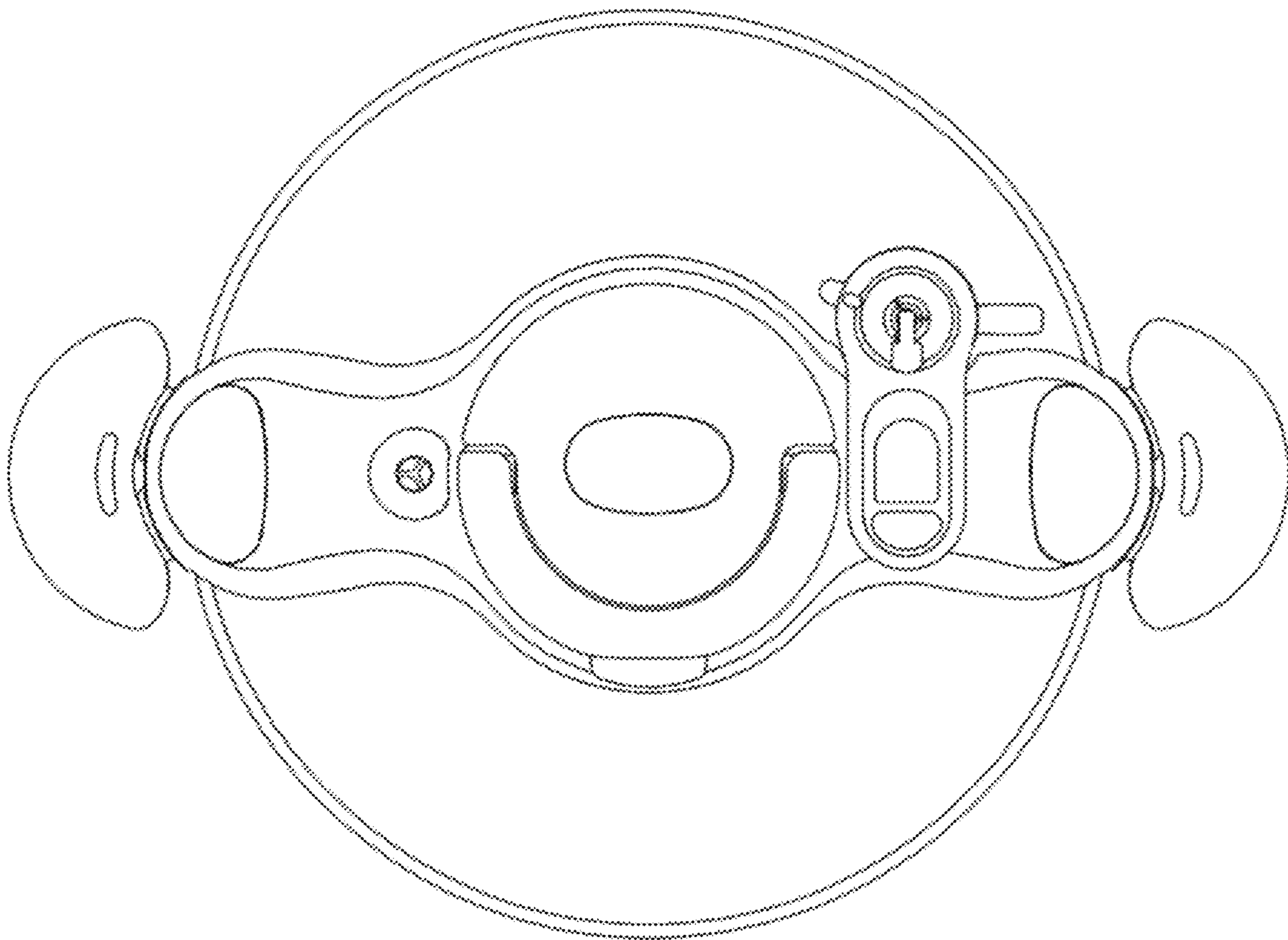
1.4



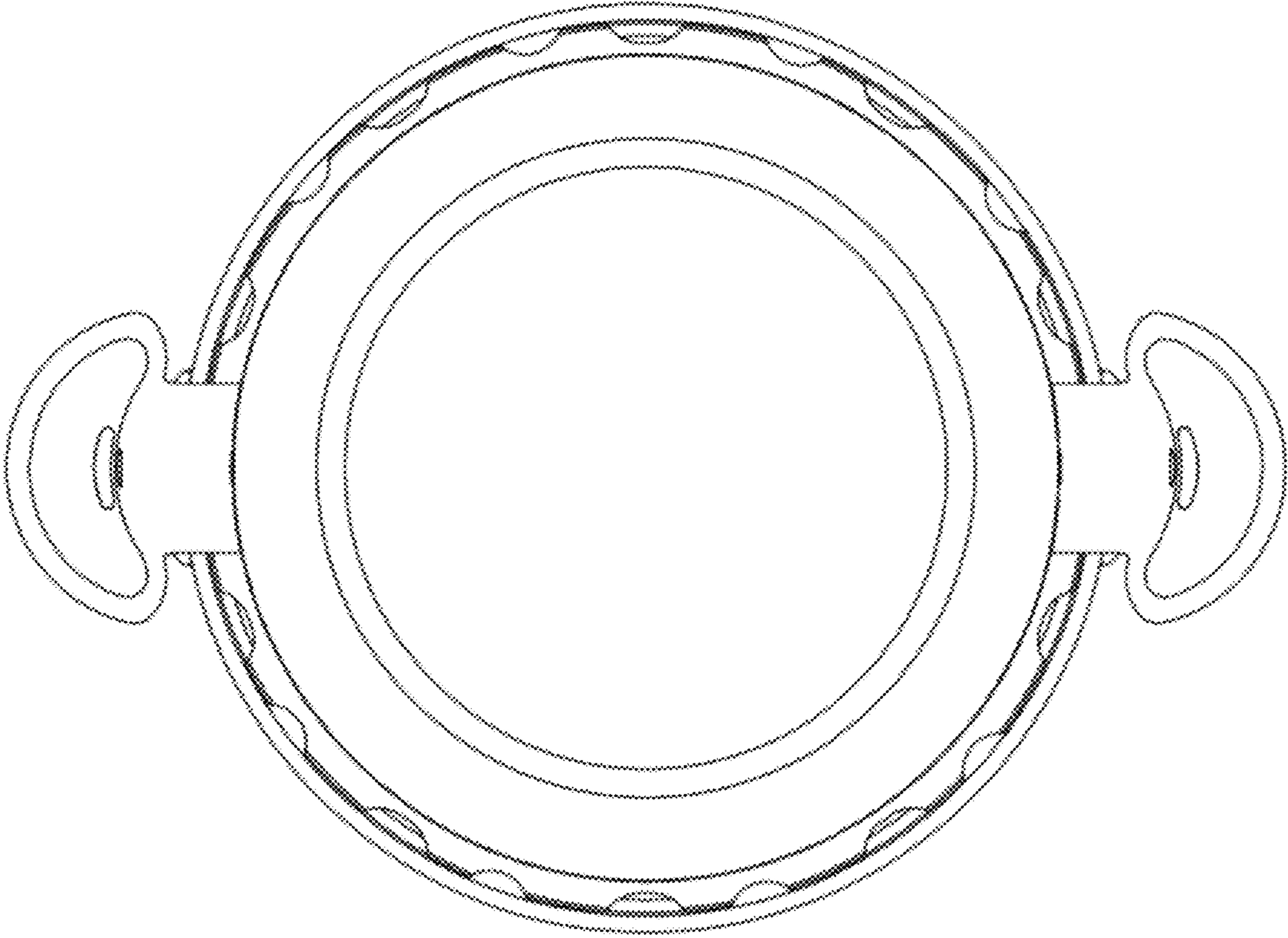
1.5



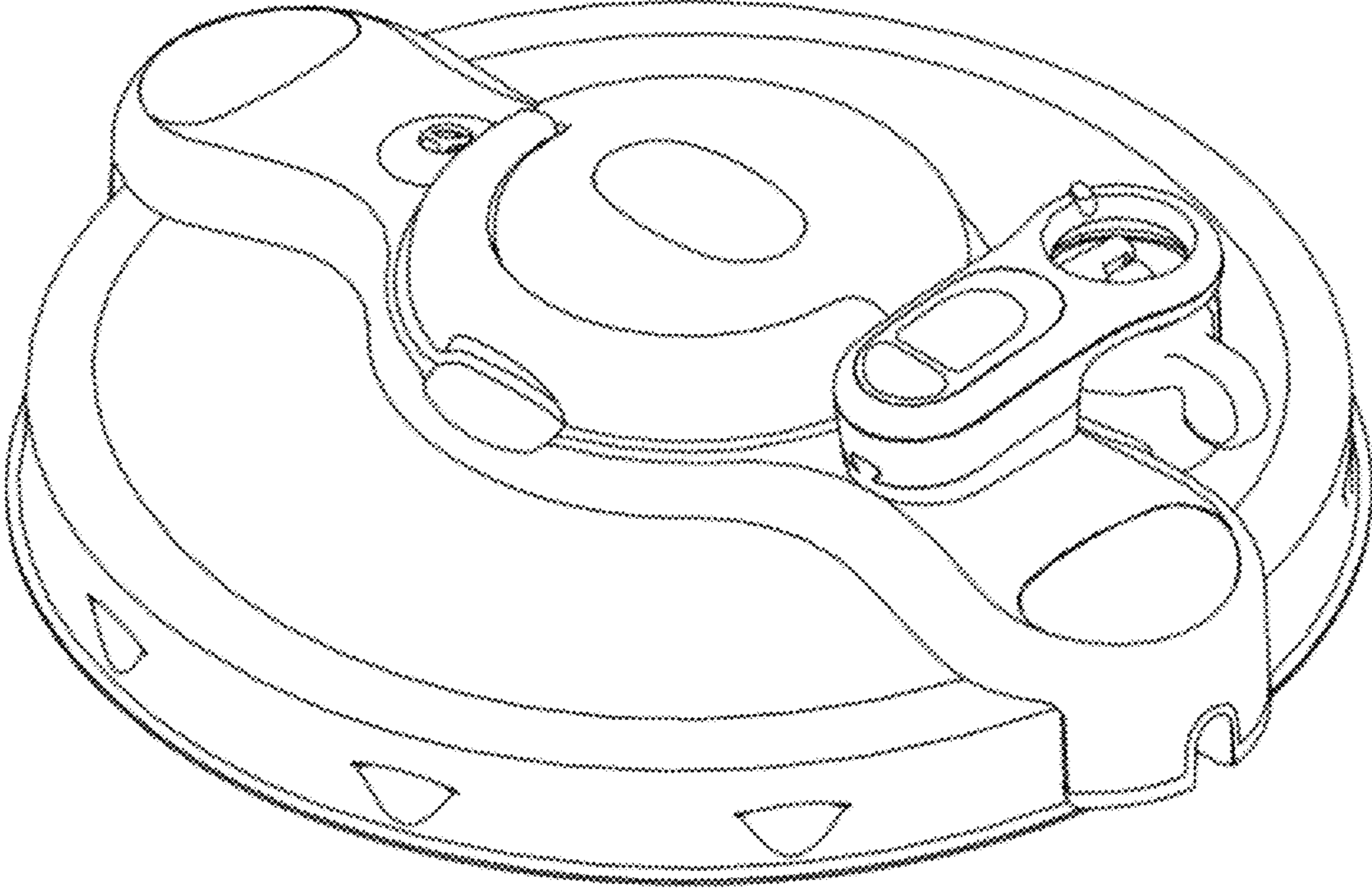
1.6



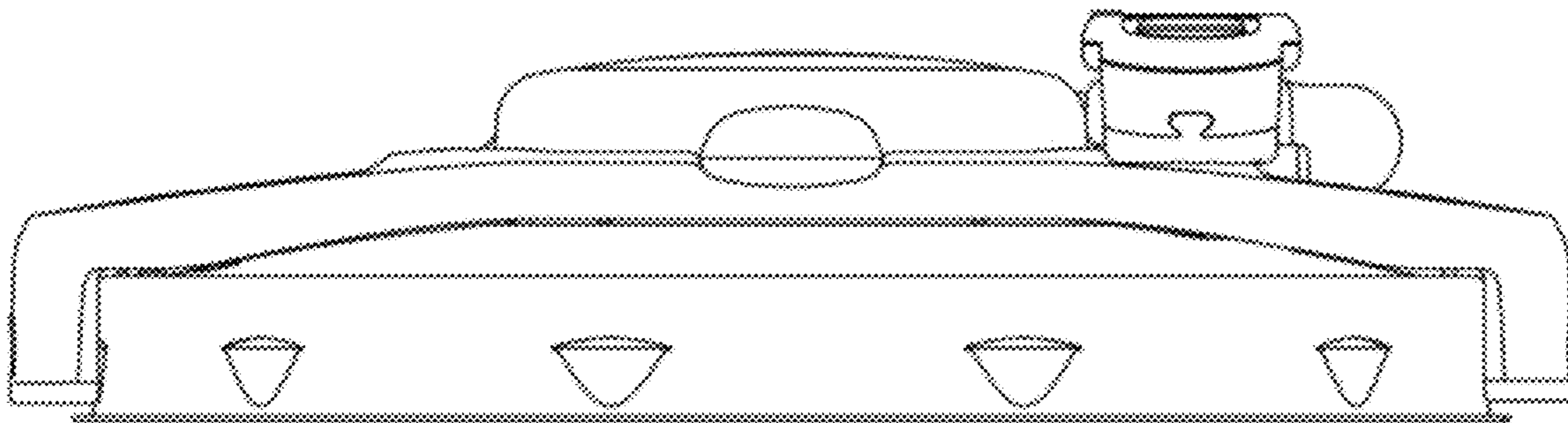
1.7



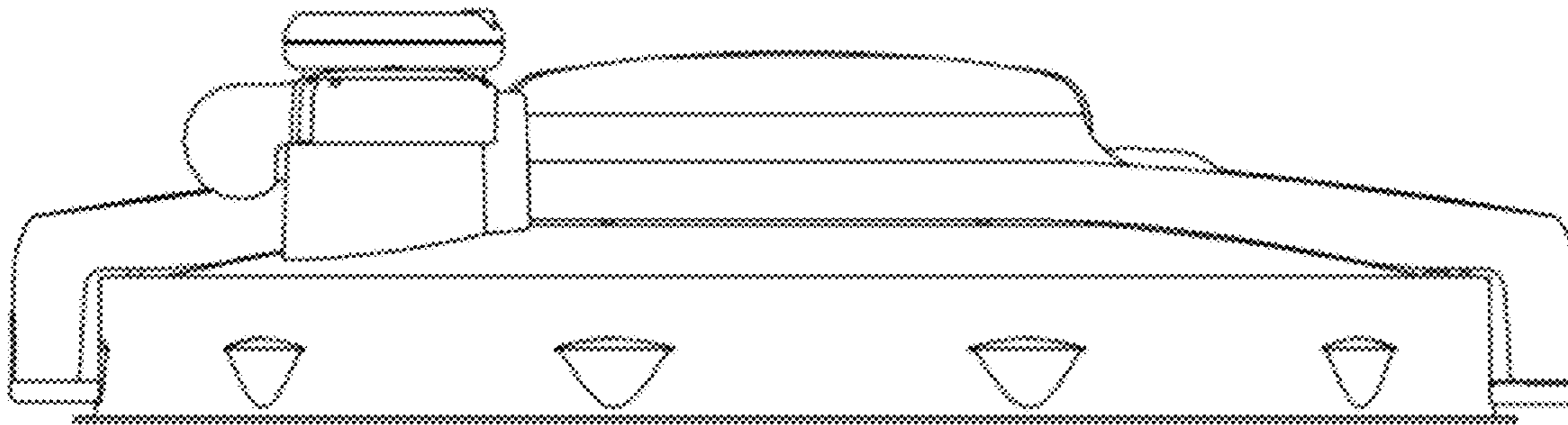
1.8



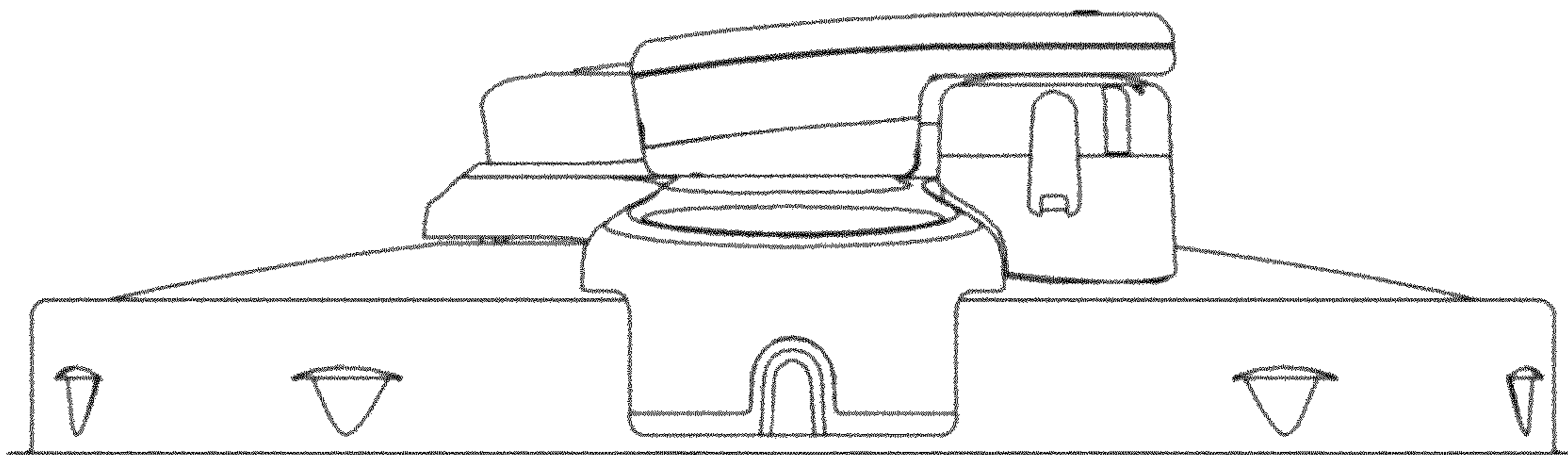
1.9



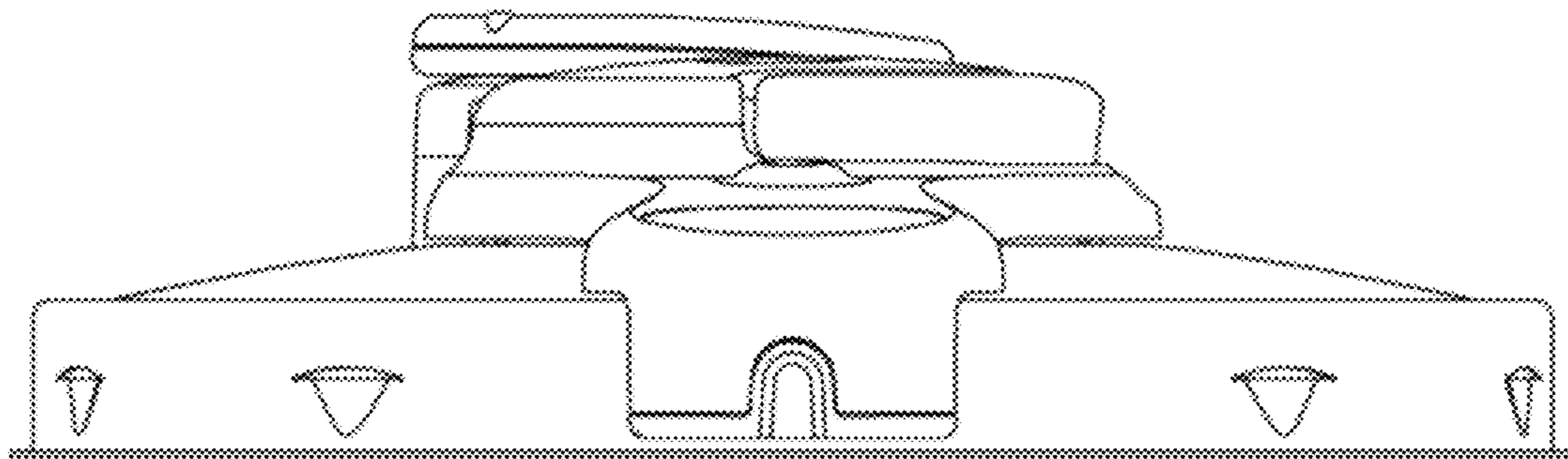
1.10



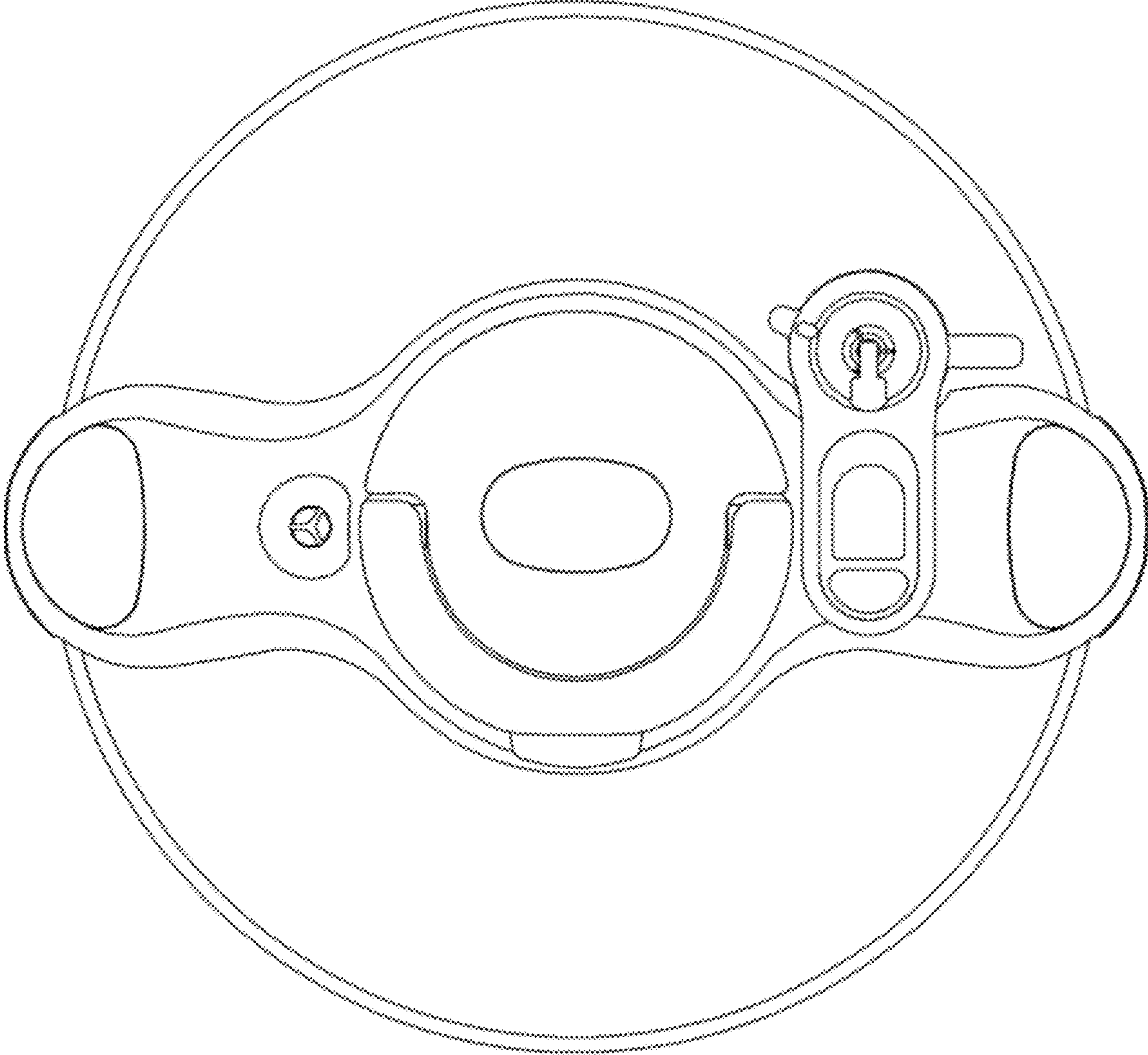
1.11



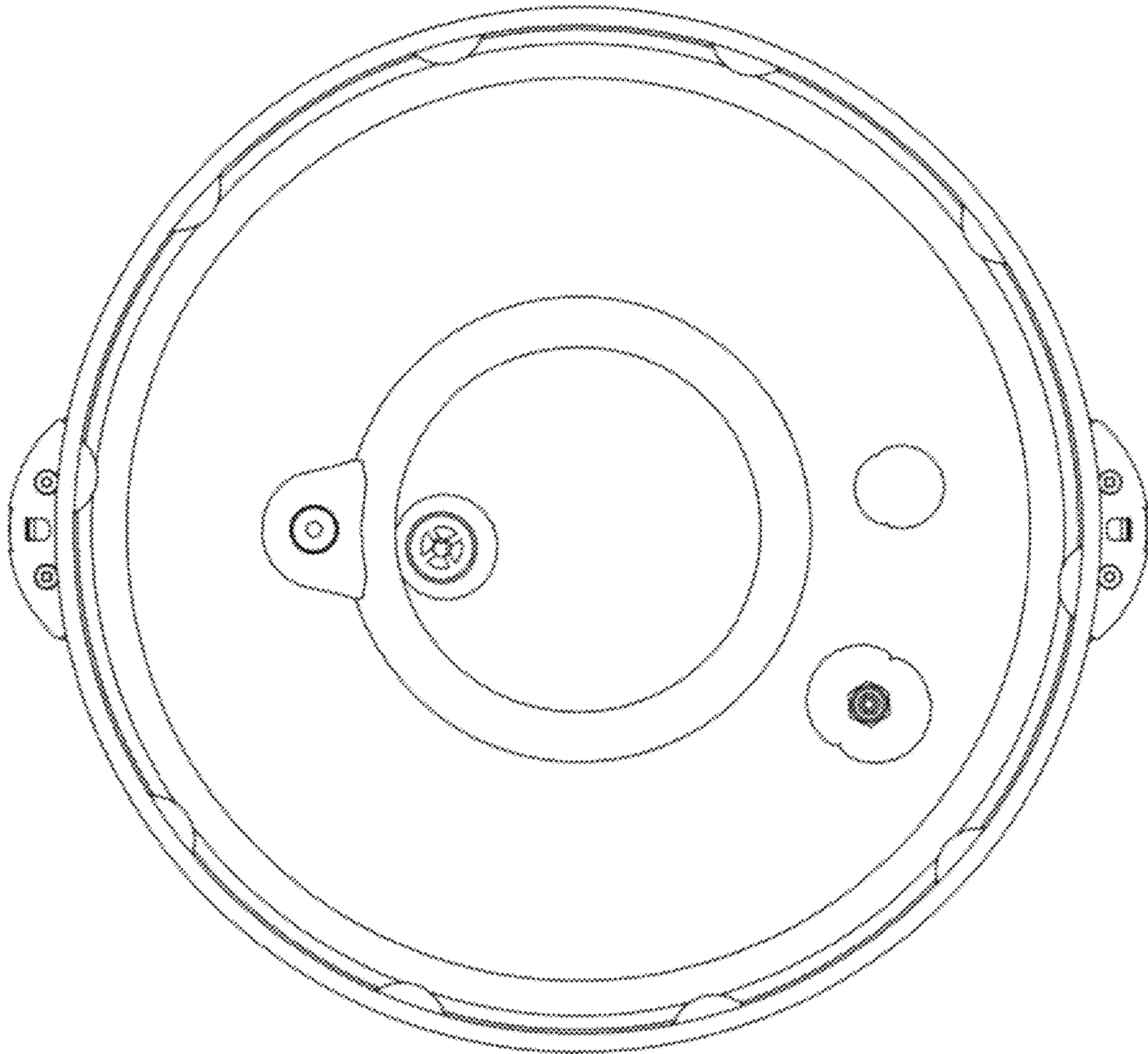
1.12



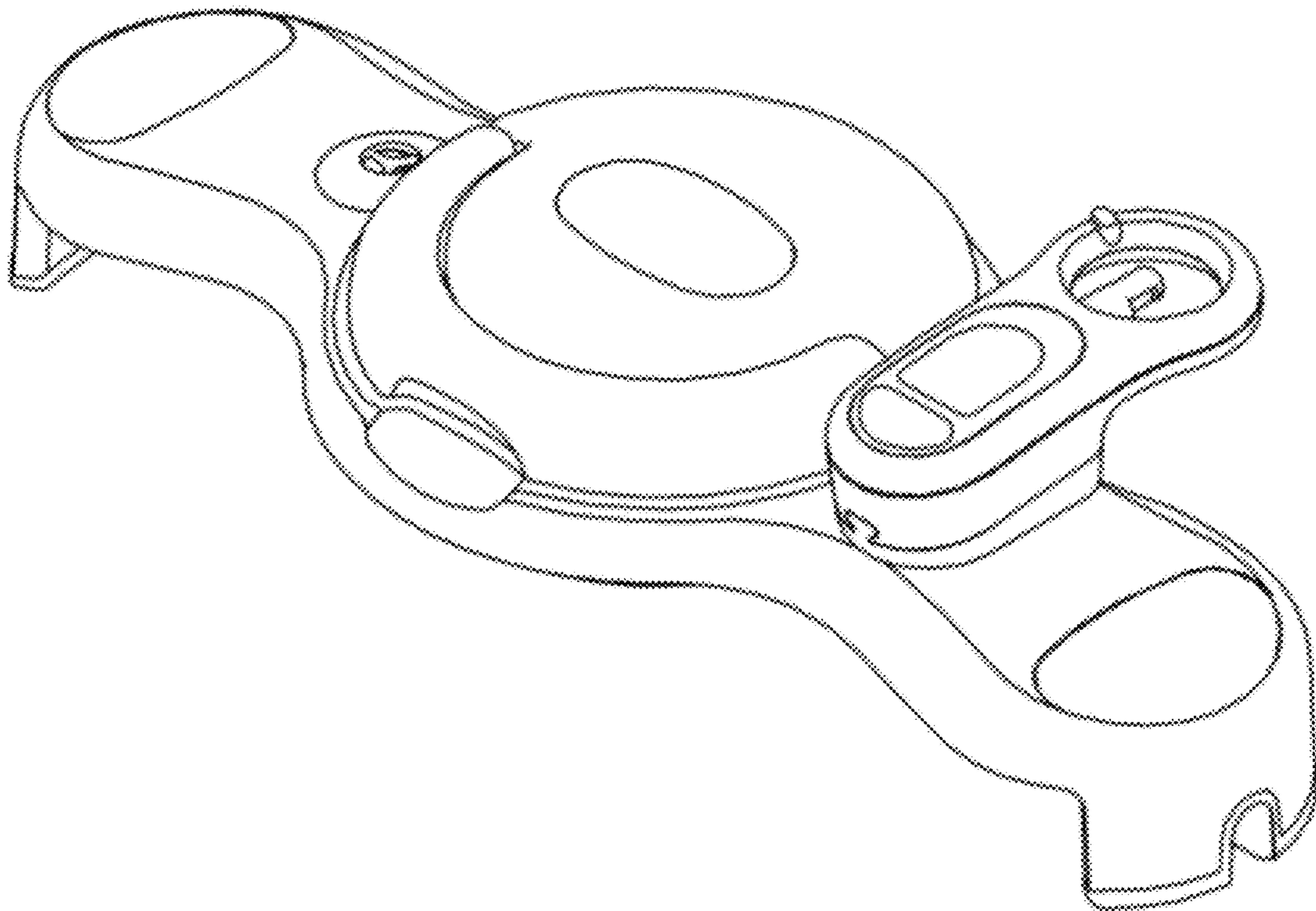
1.13



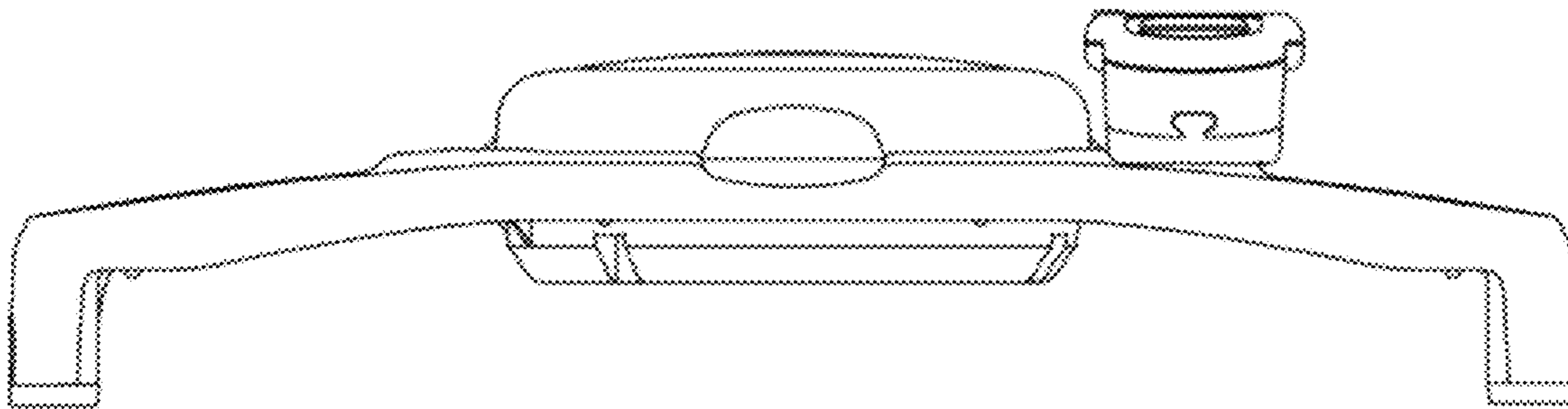
1.14



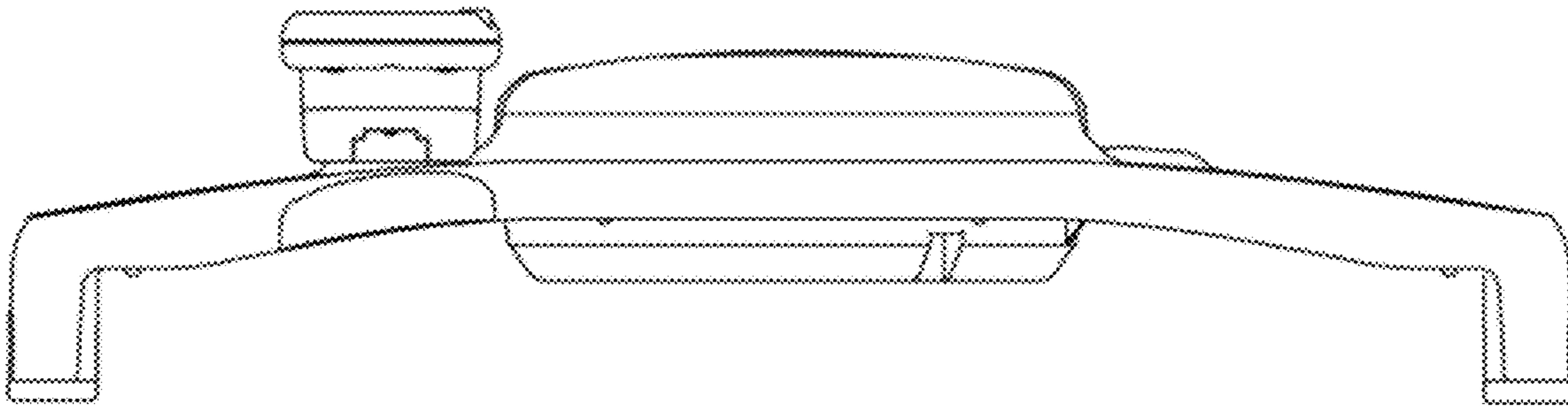
1.15



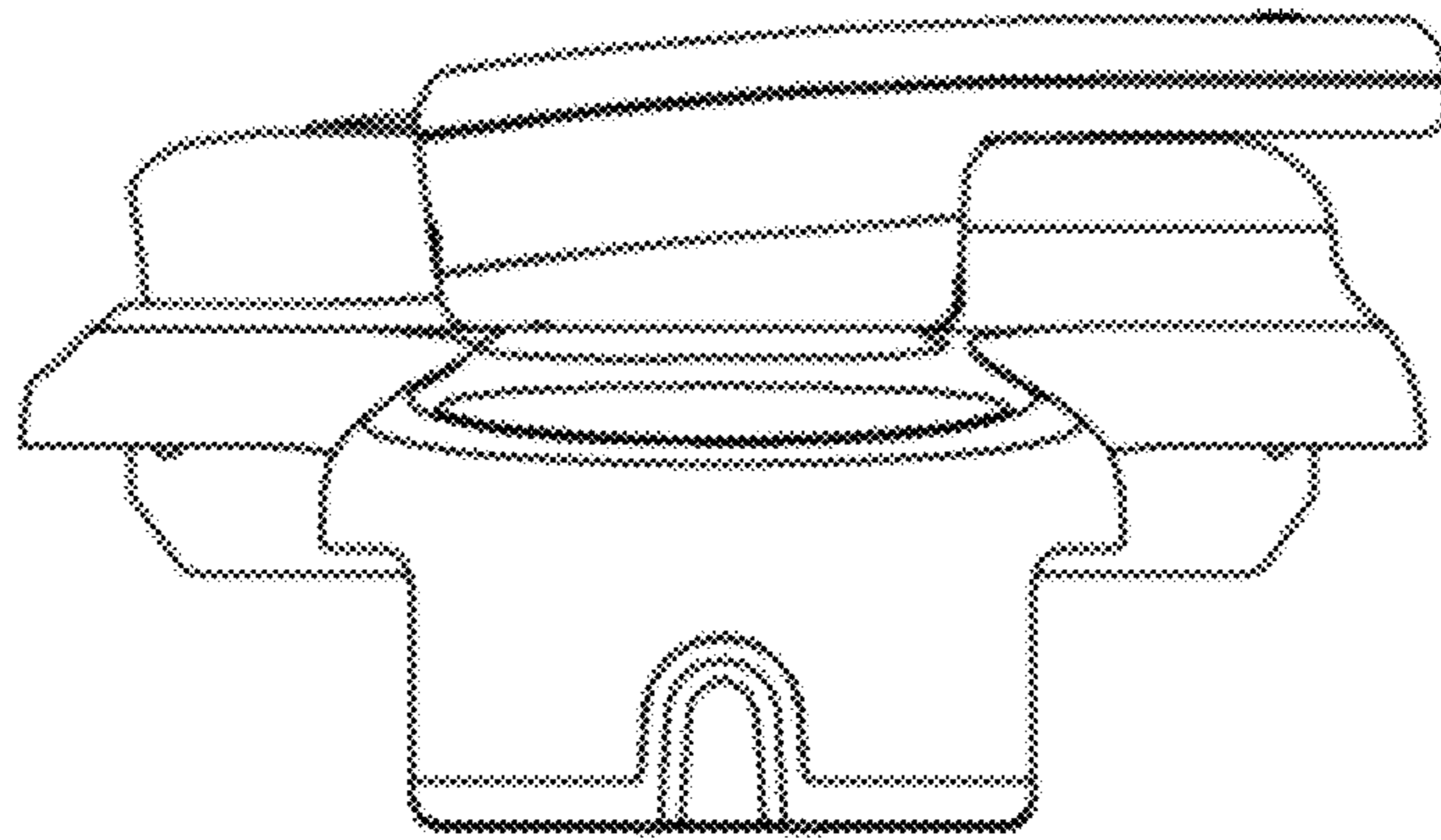
1.16



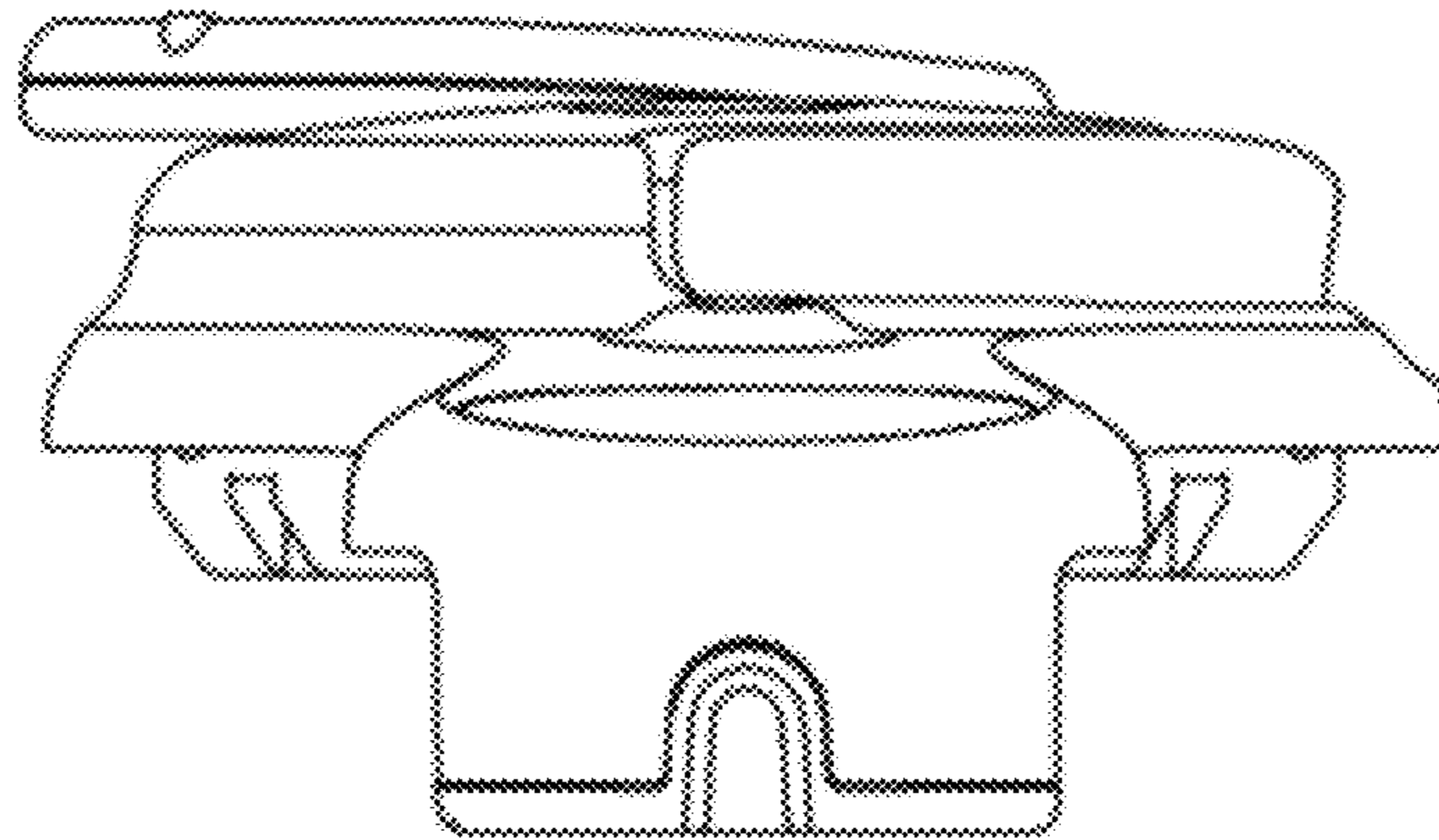
1.17



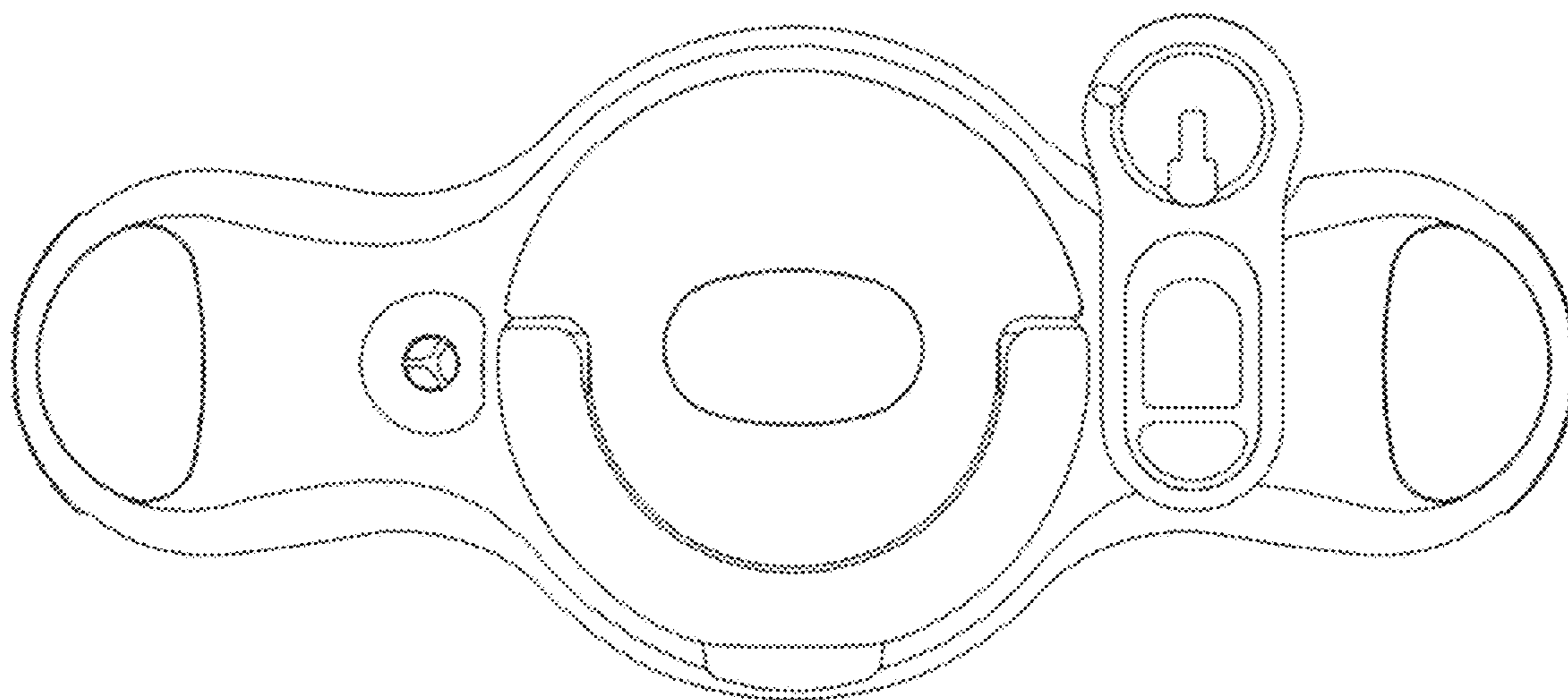
1.18



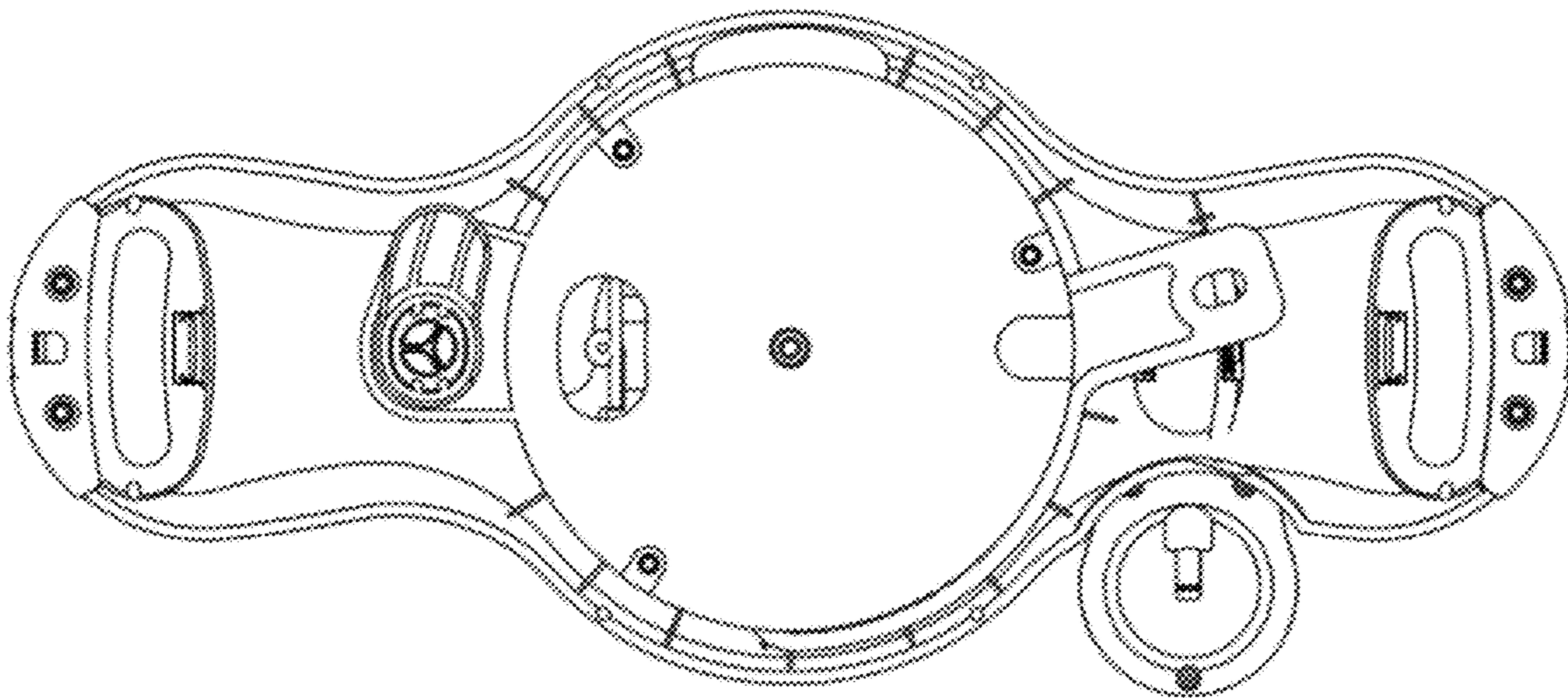
1.19



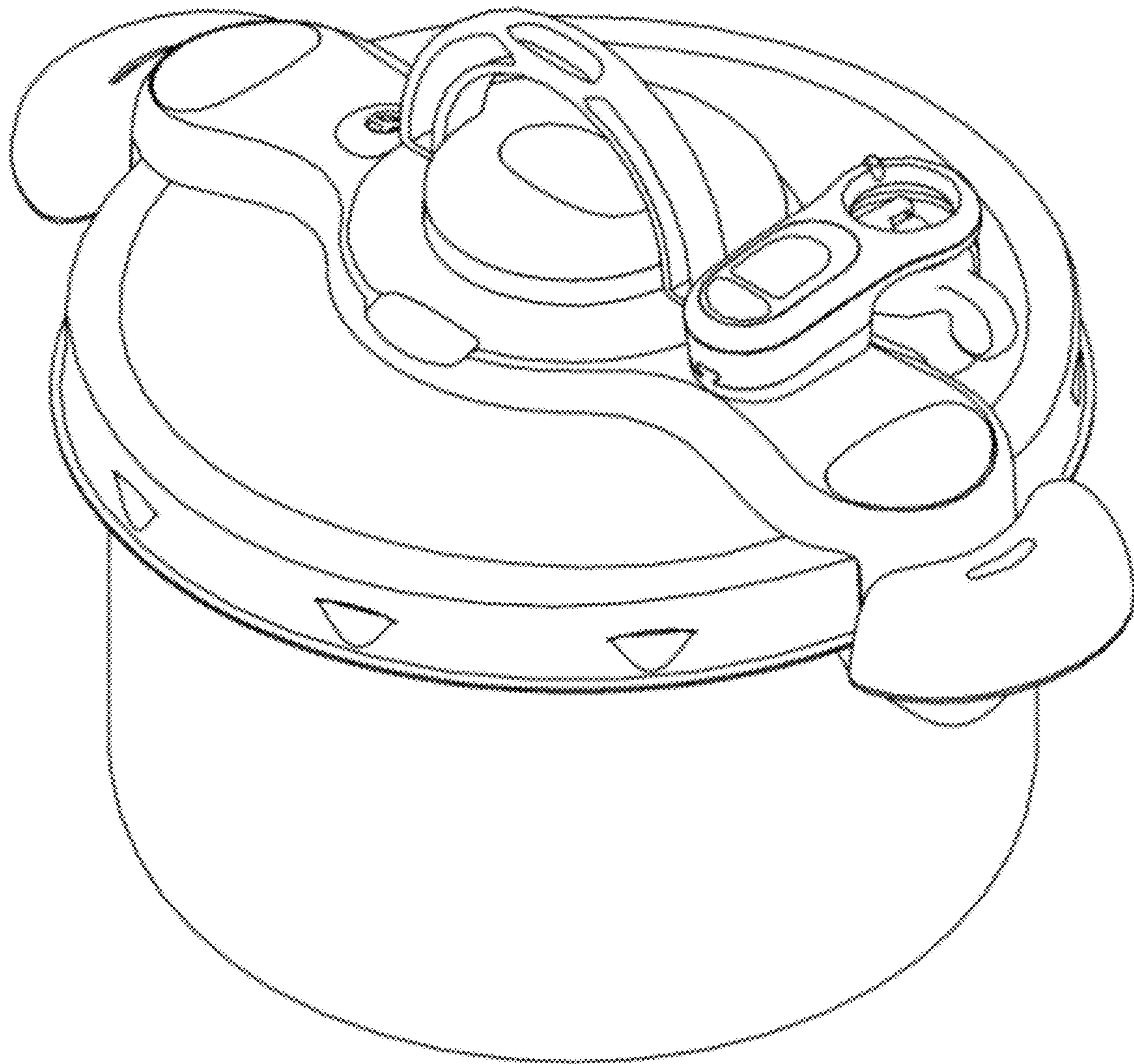
1.20



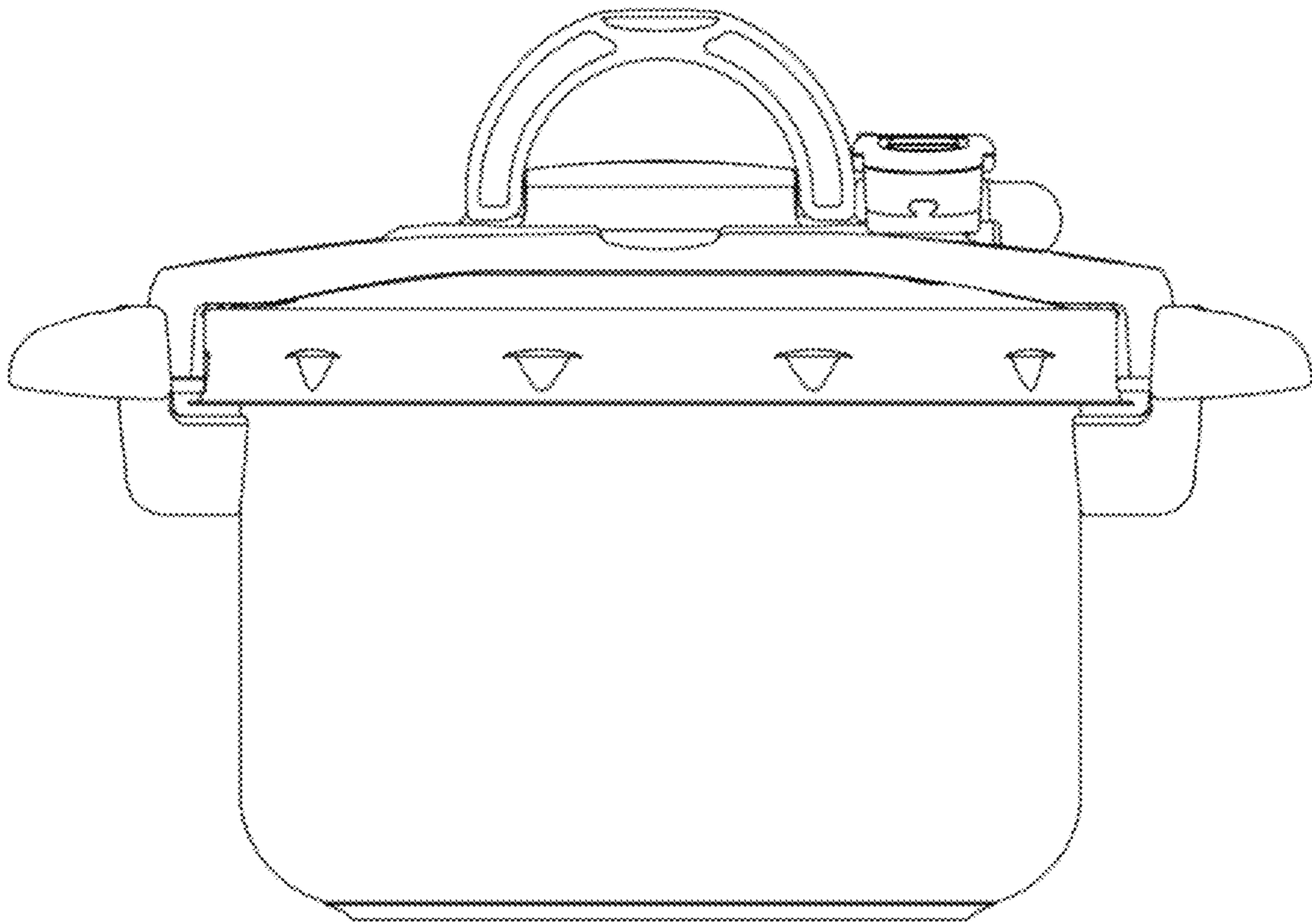
1.21



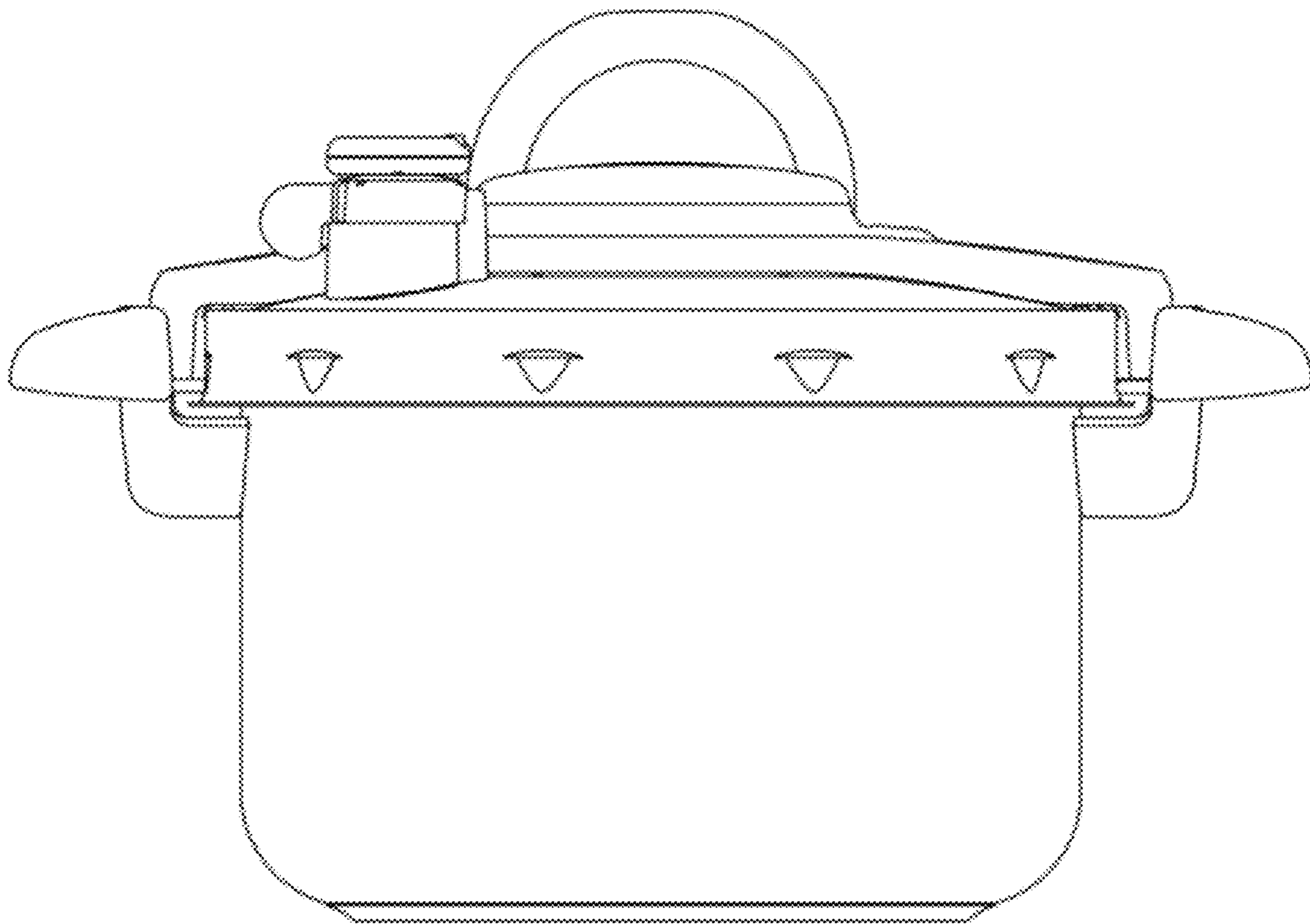
1.22



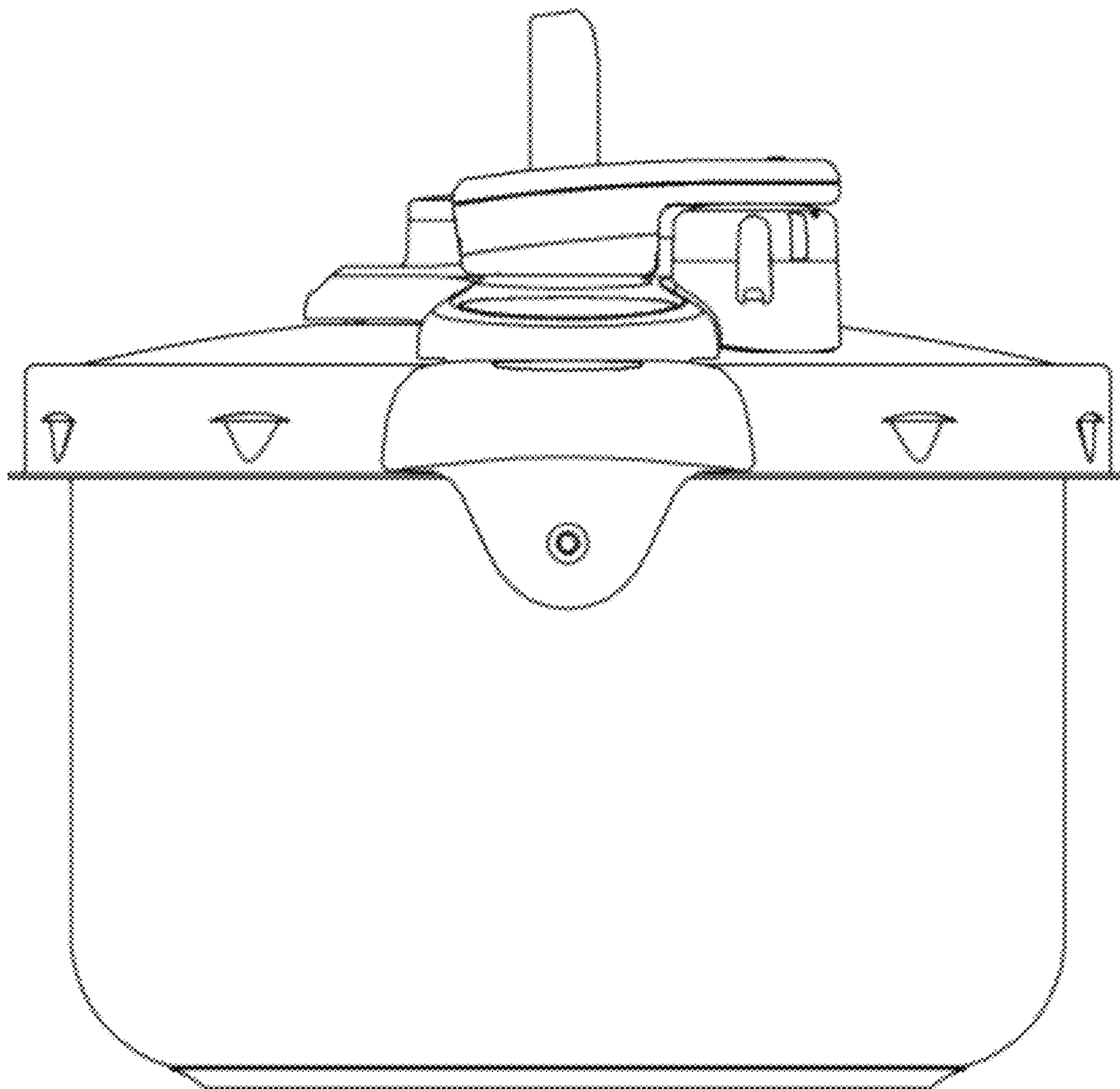
1.23



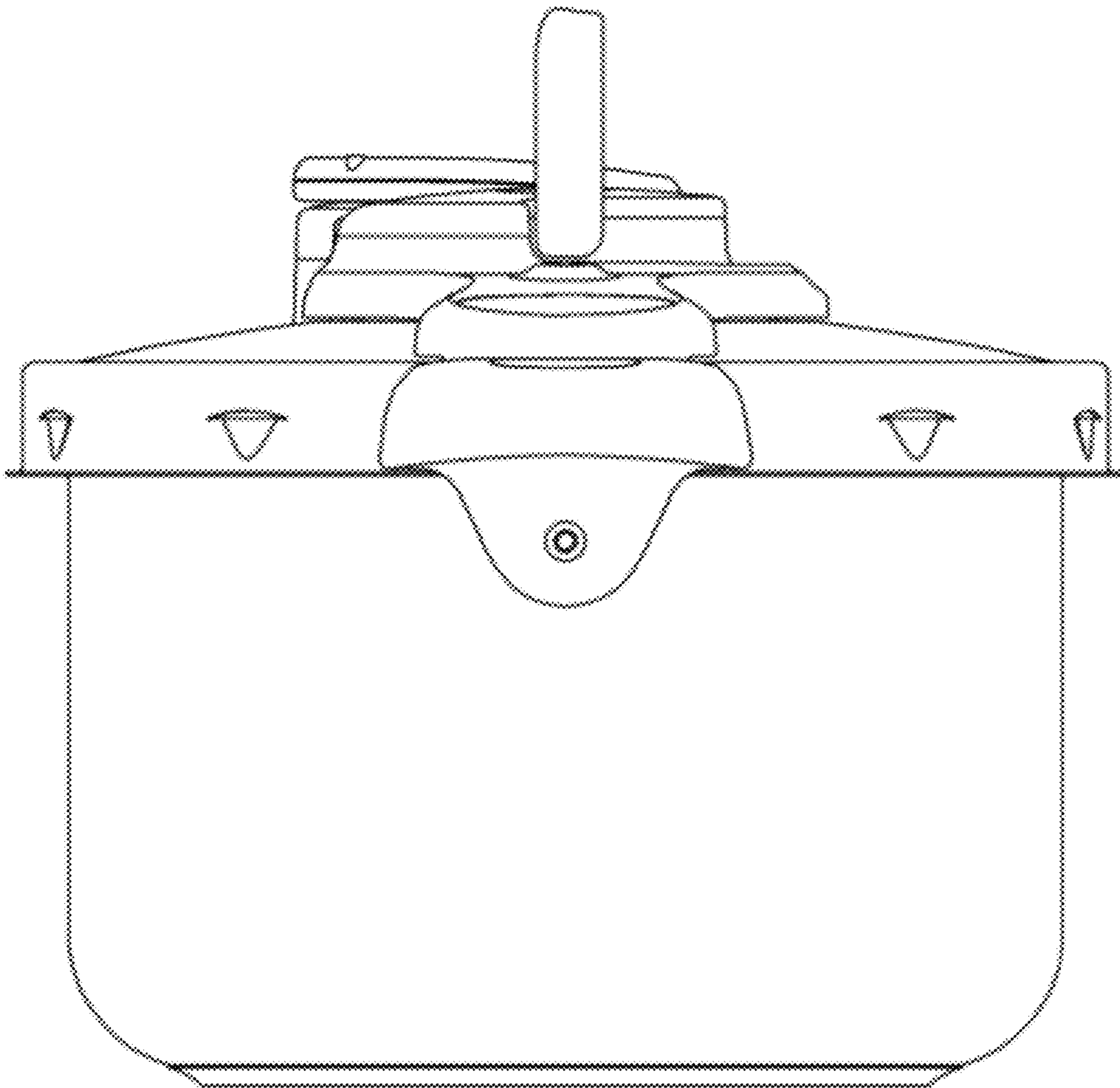
1.24



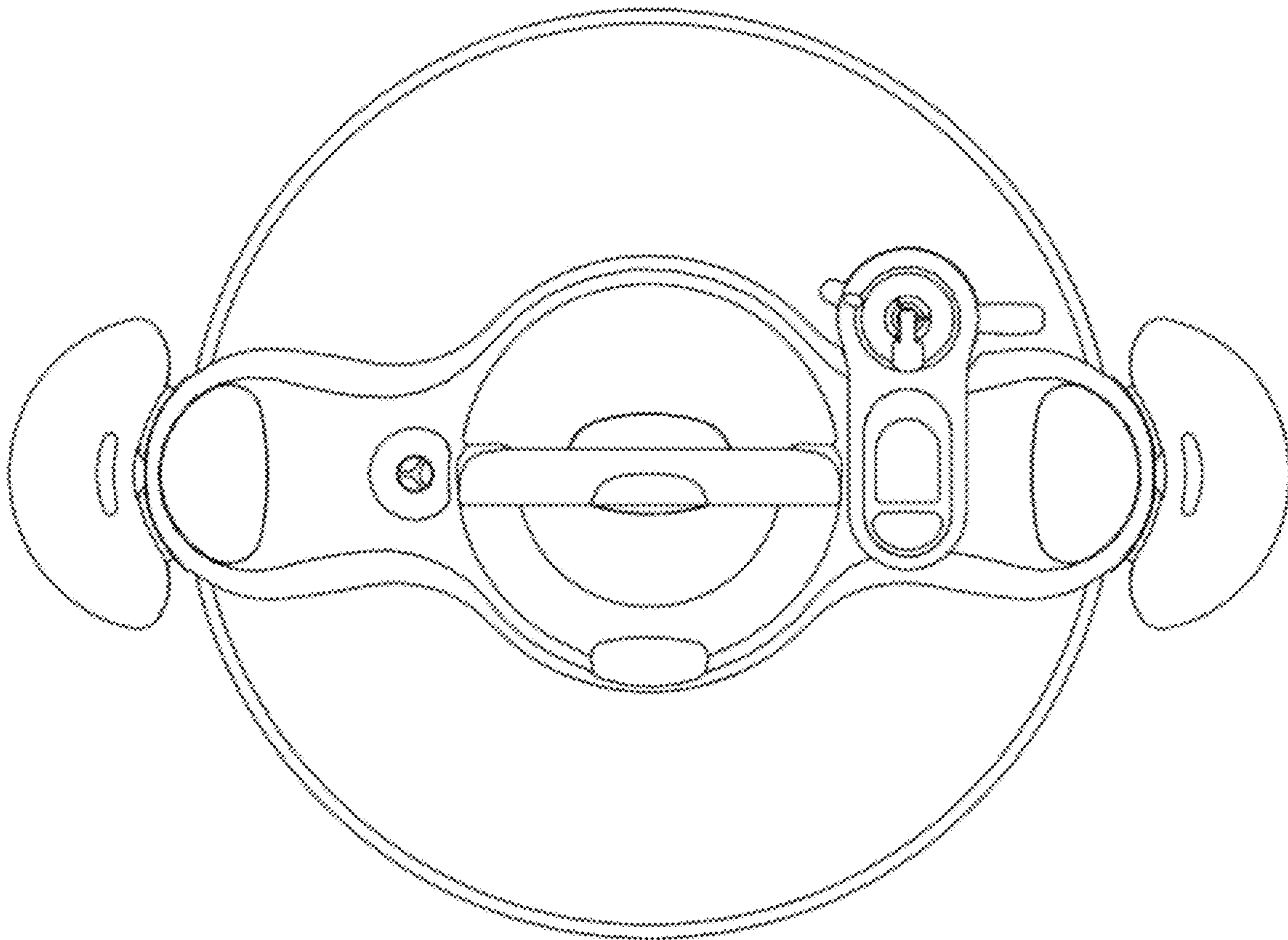
1.25



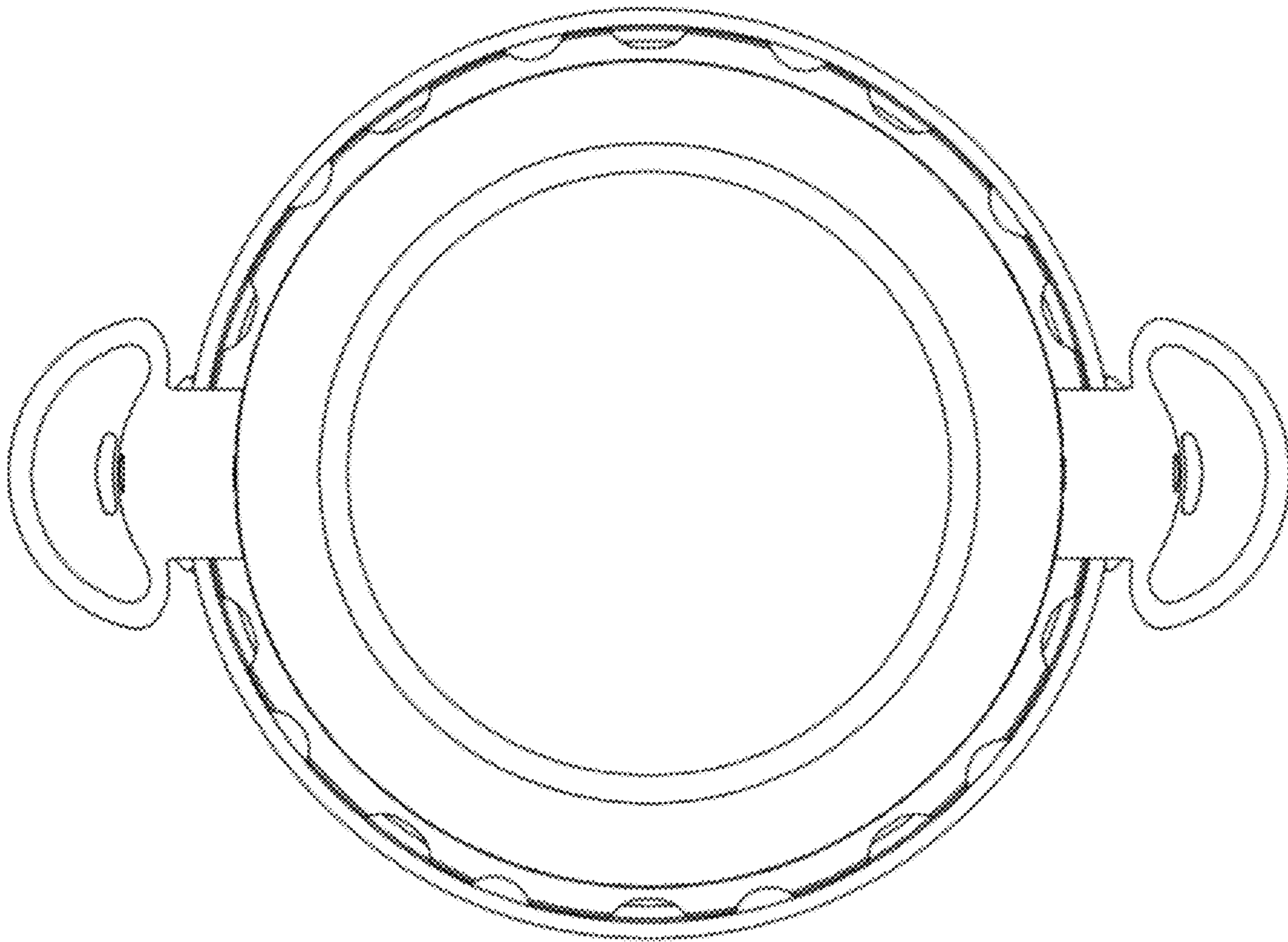
1.26



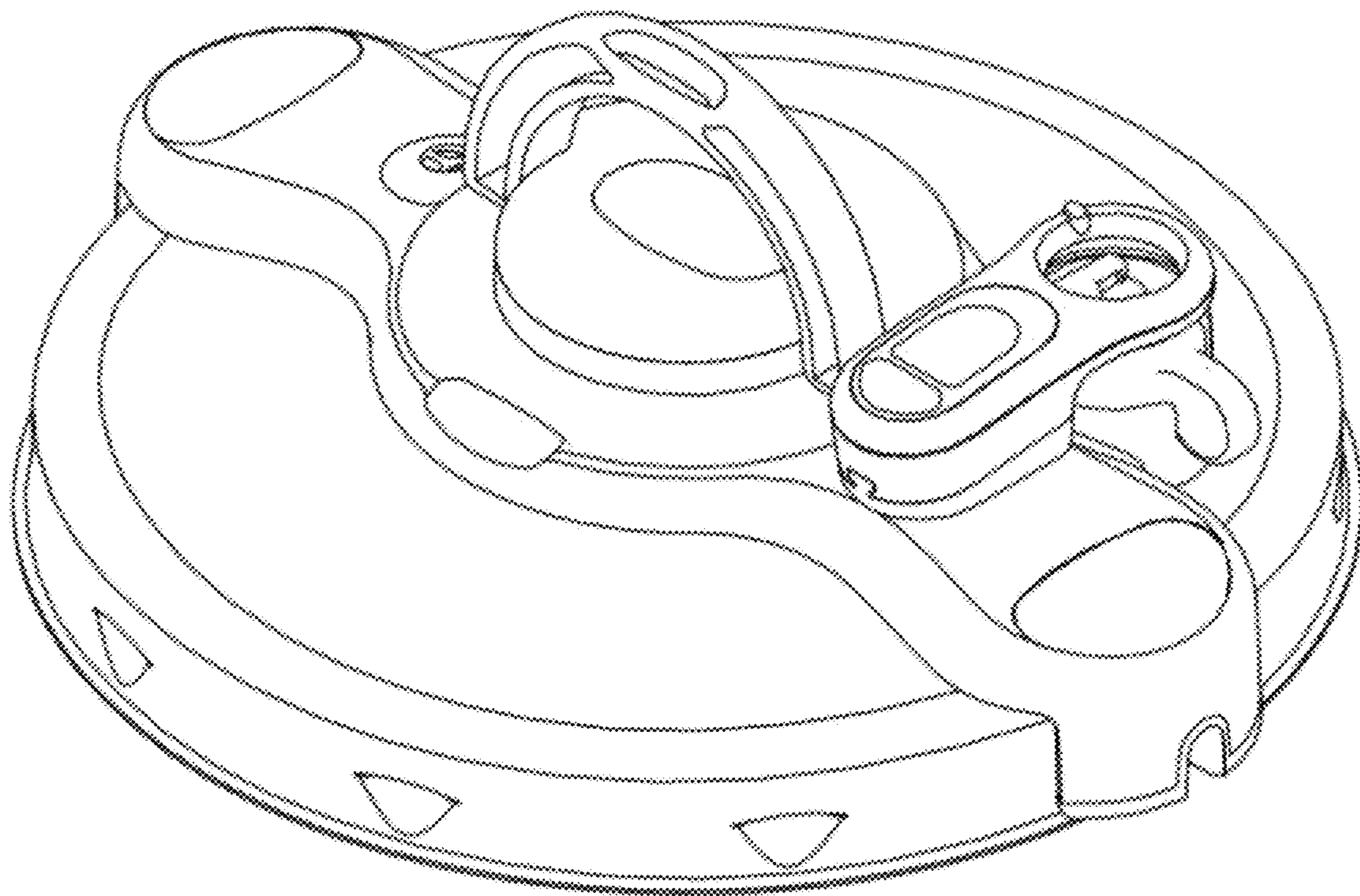
1.27



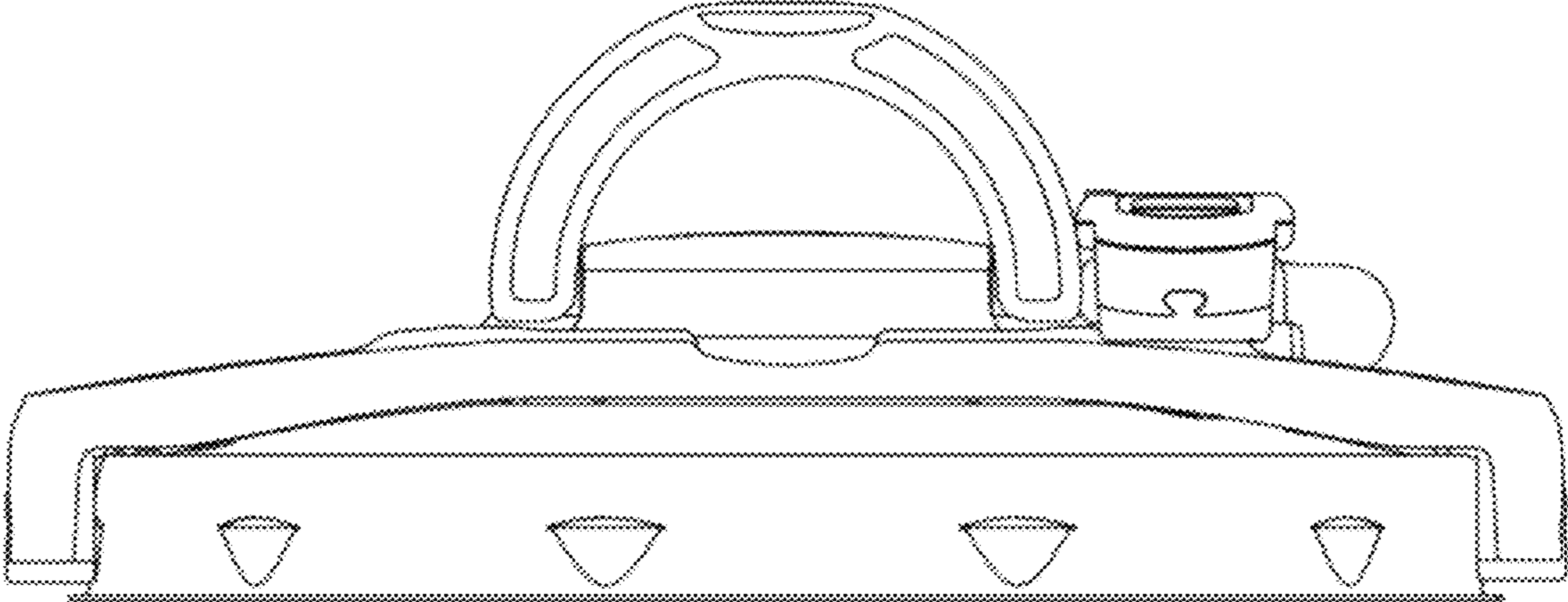
1.28



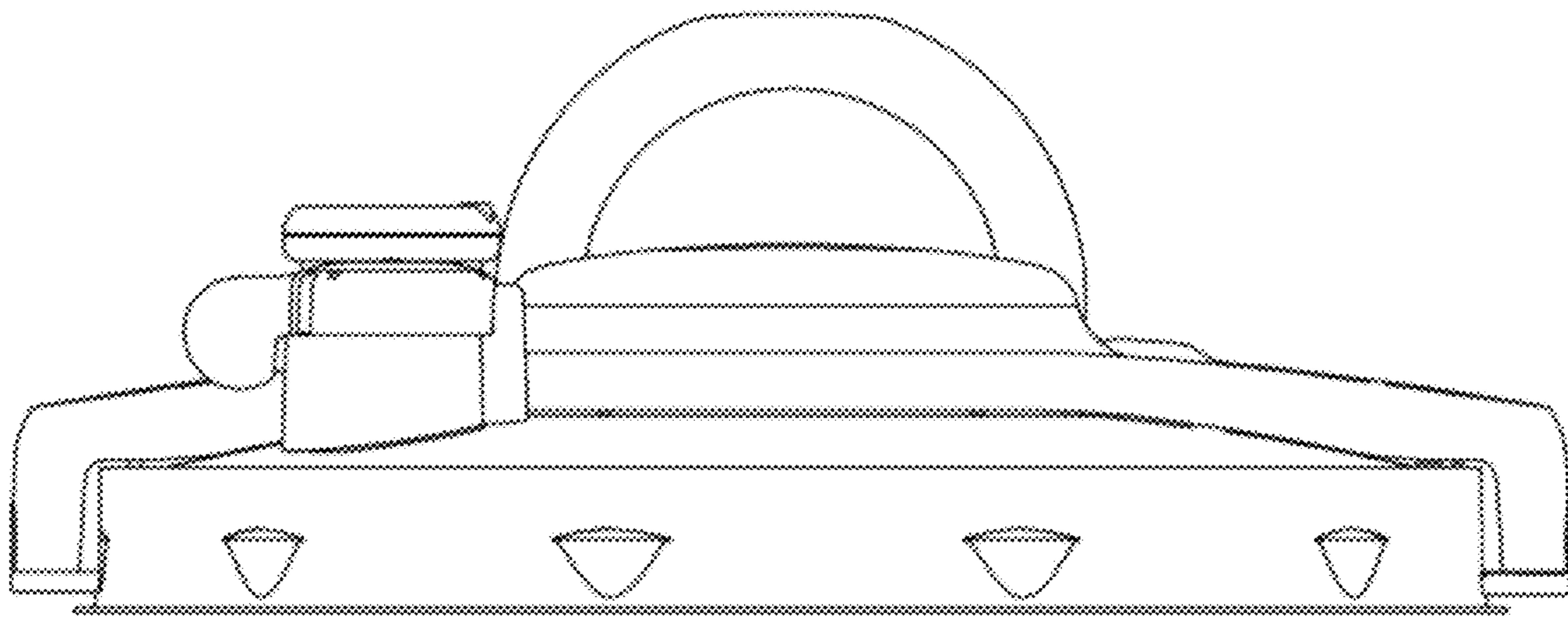
1.29



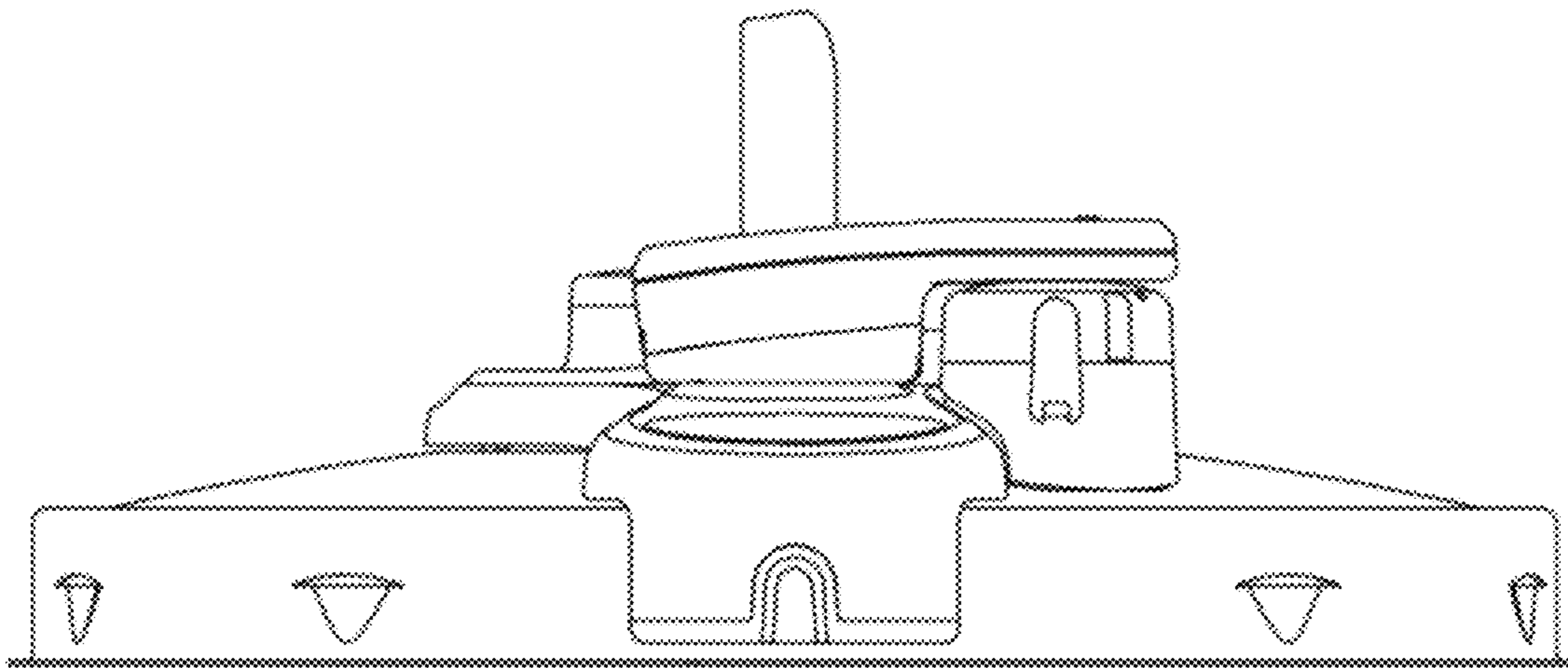
1.30



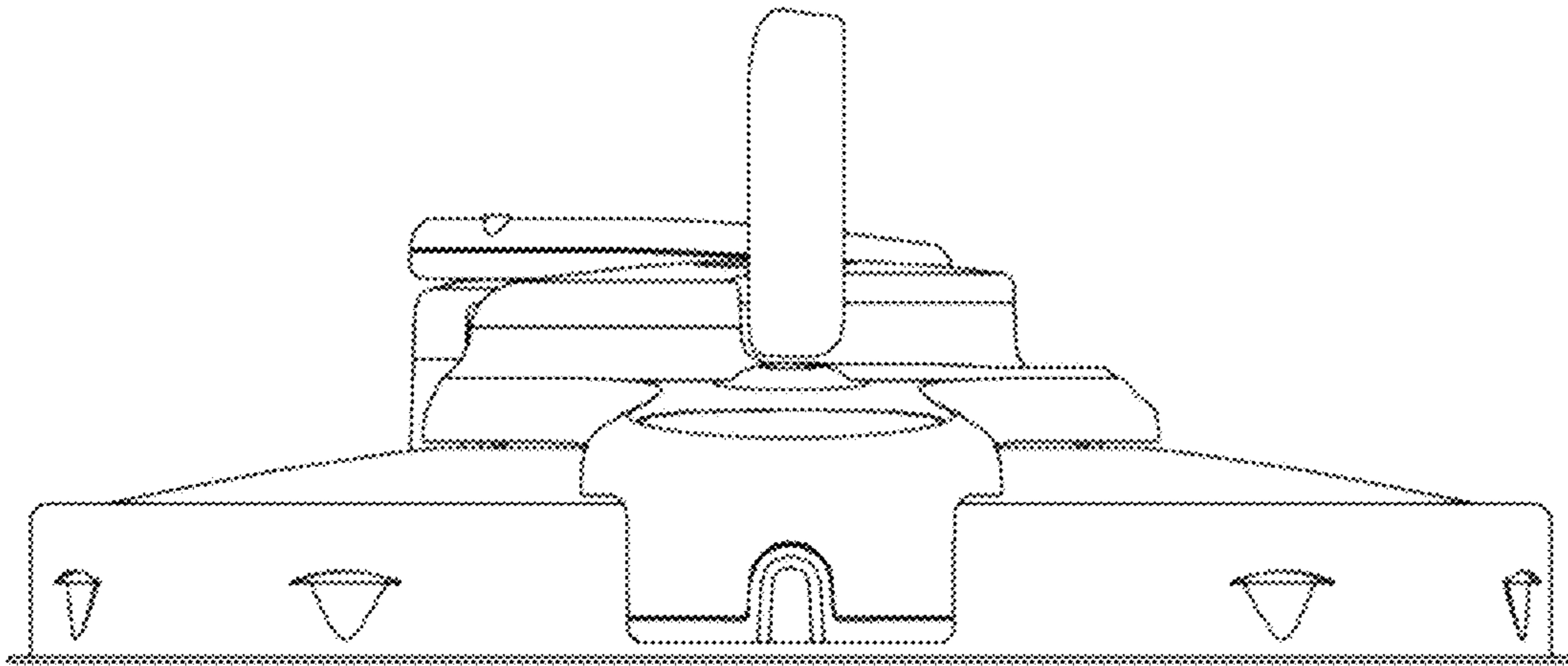
1.31



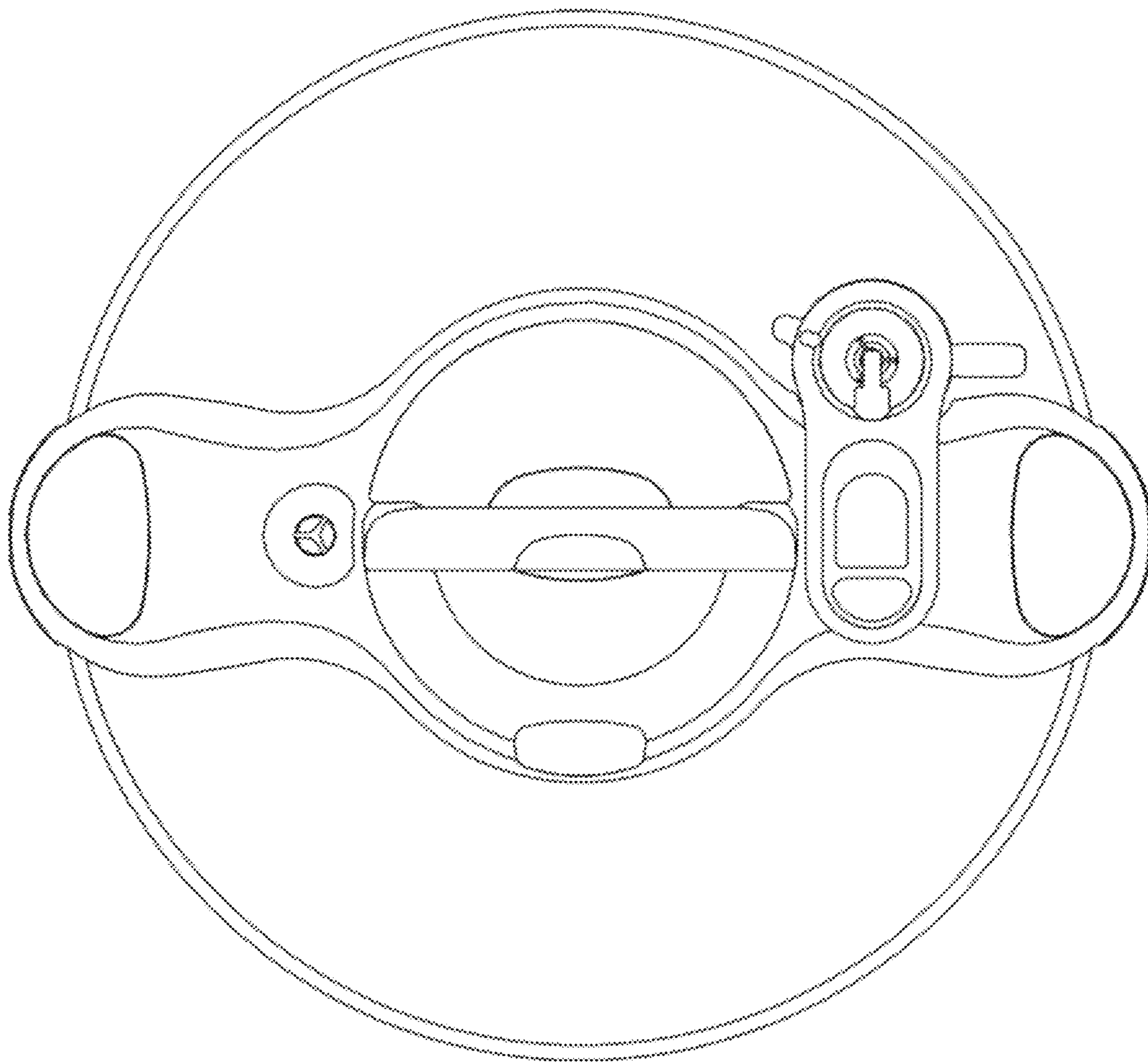
1.32



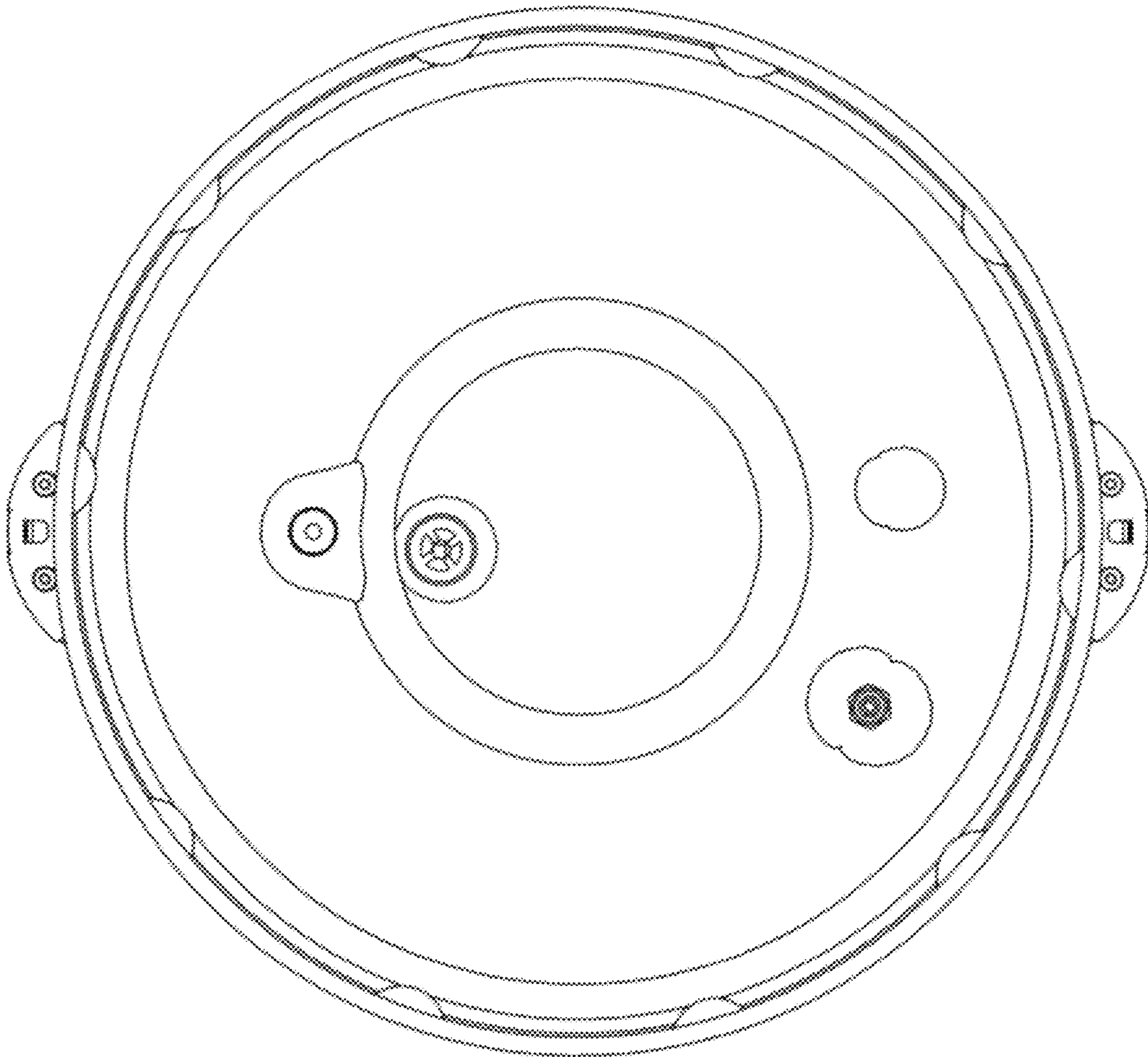
1.33



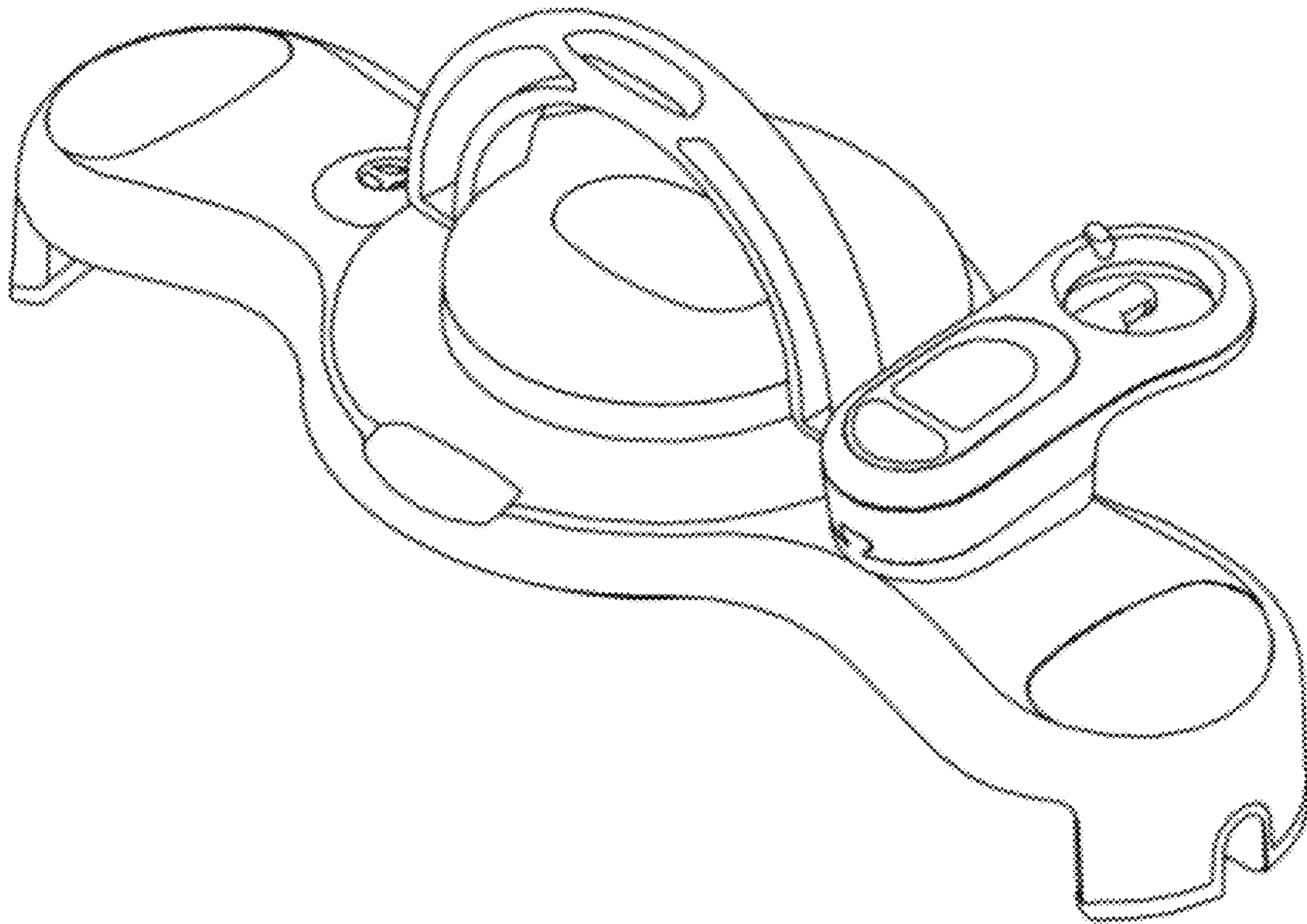
1.34



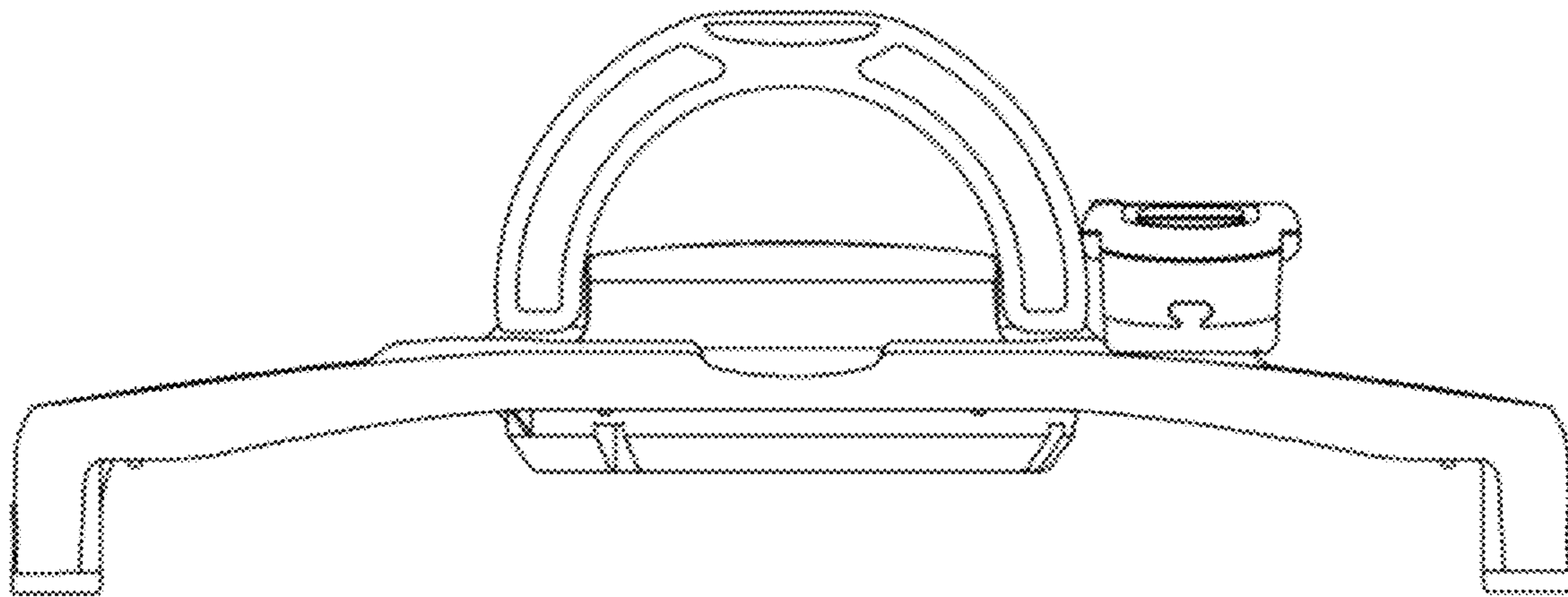
1.35



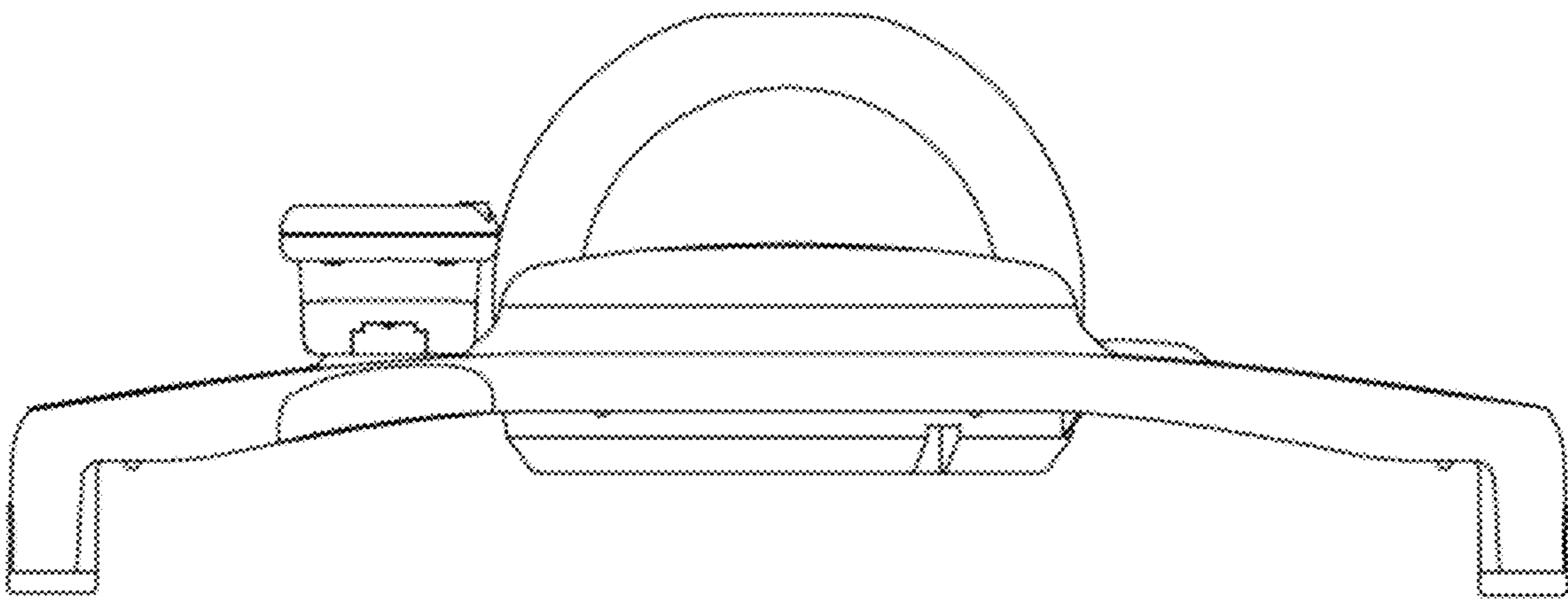
1.36



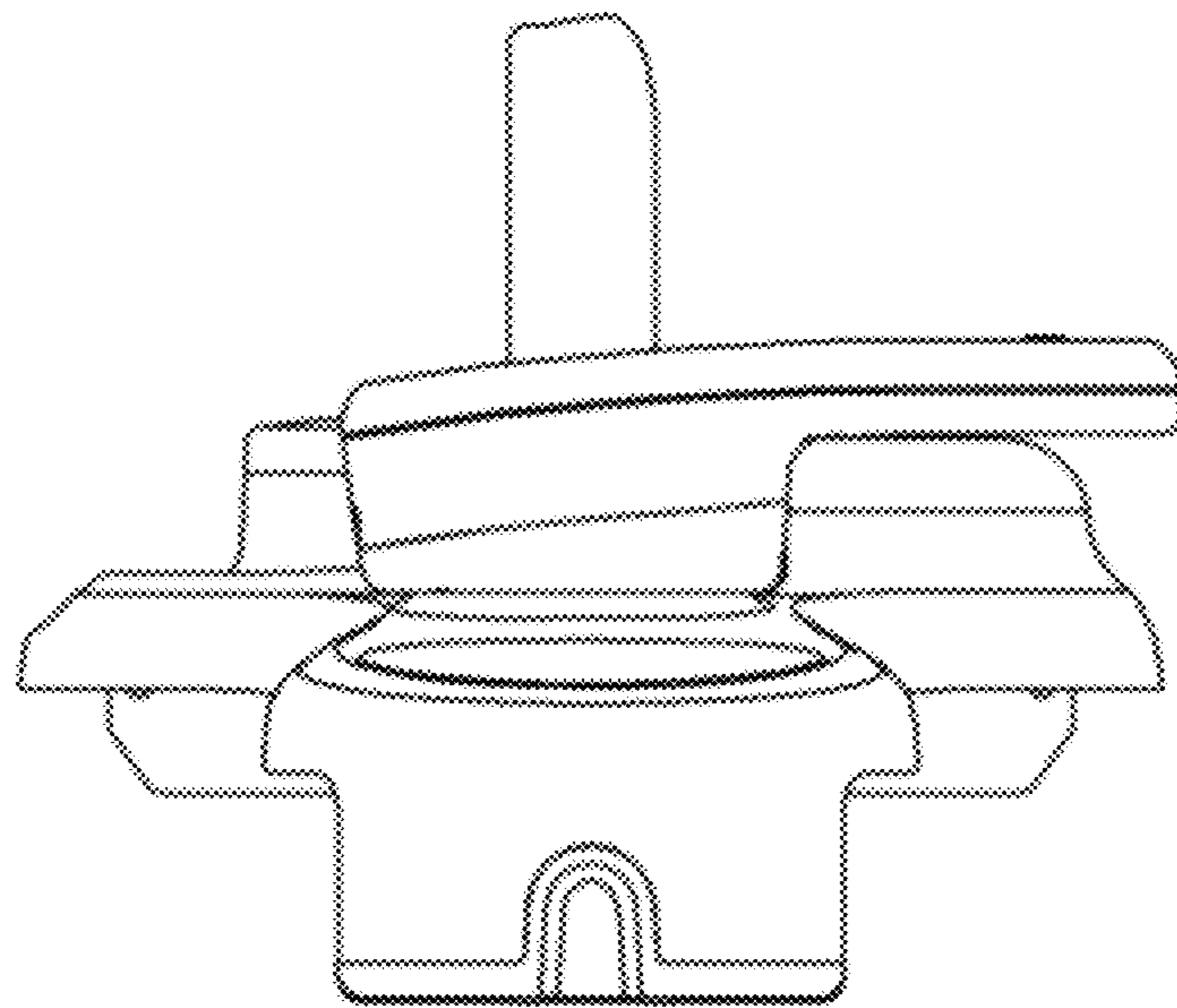
1.37



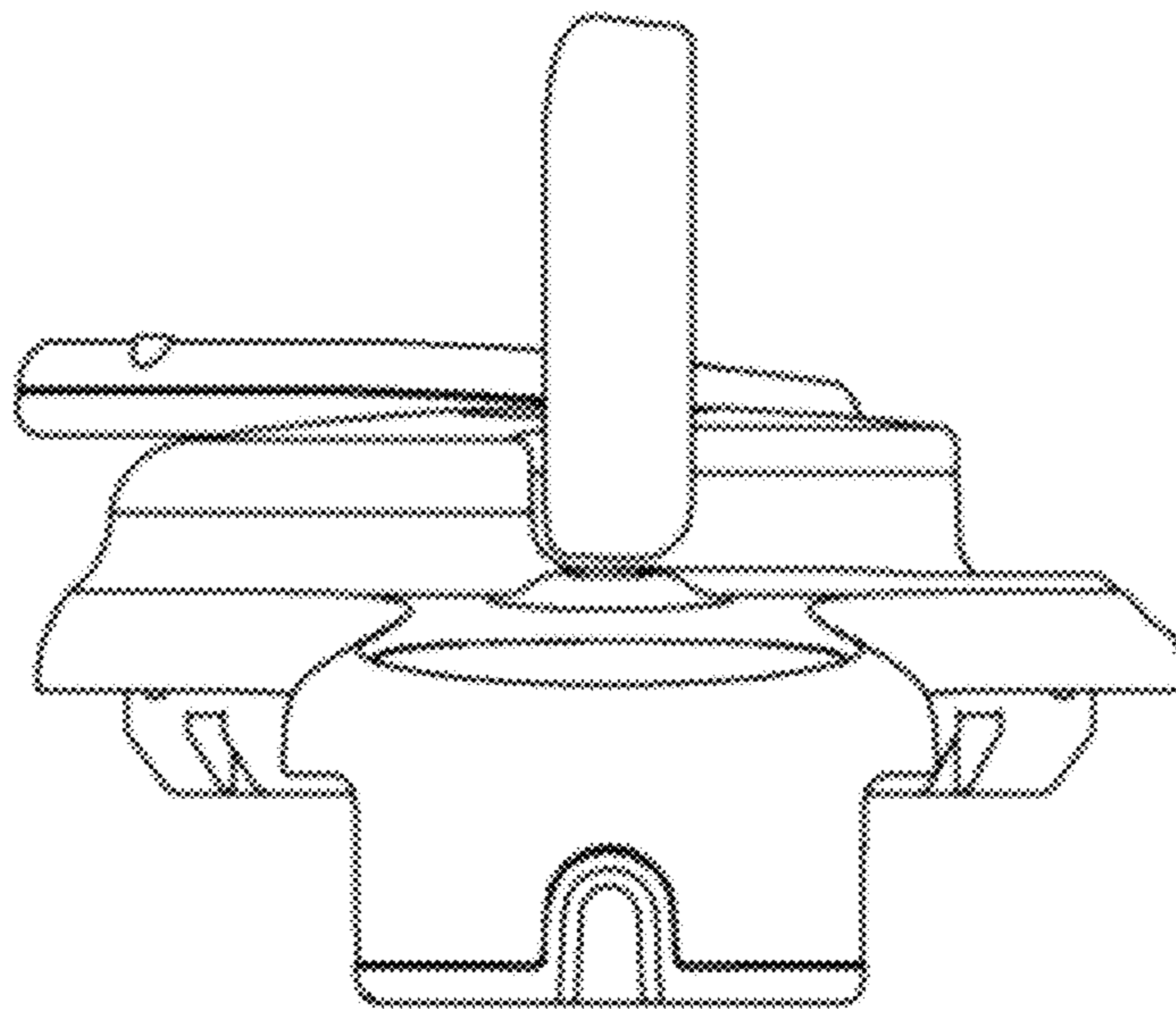
1.38



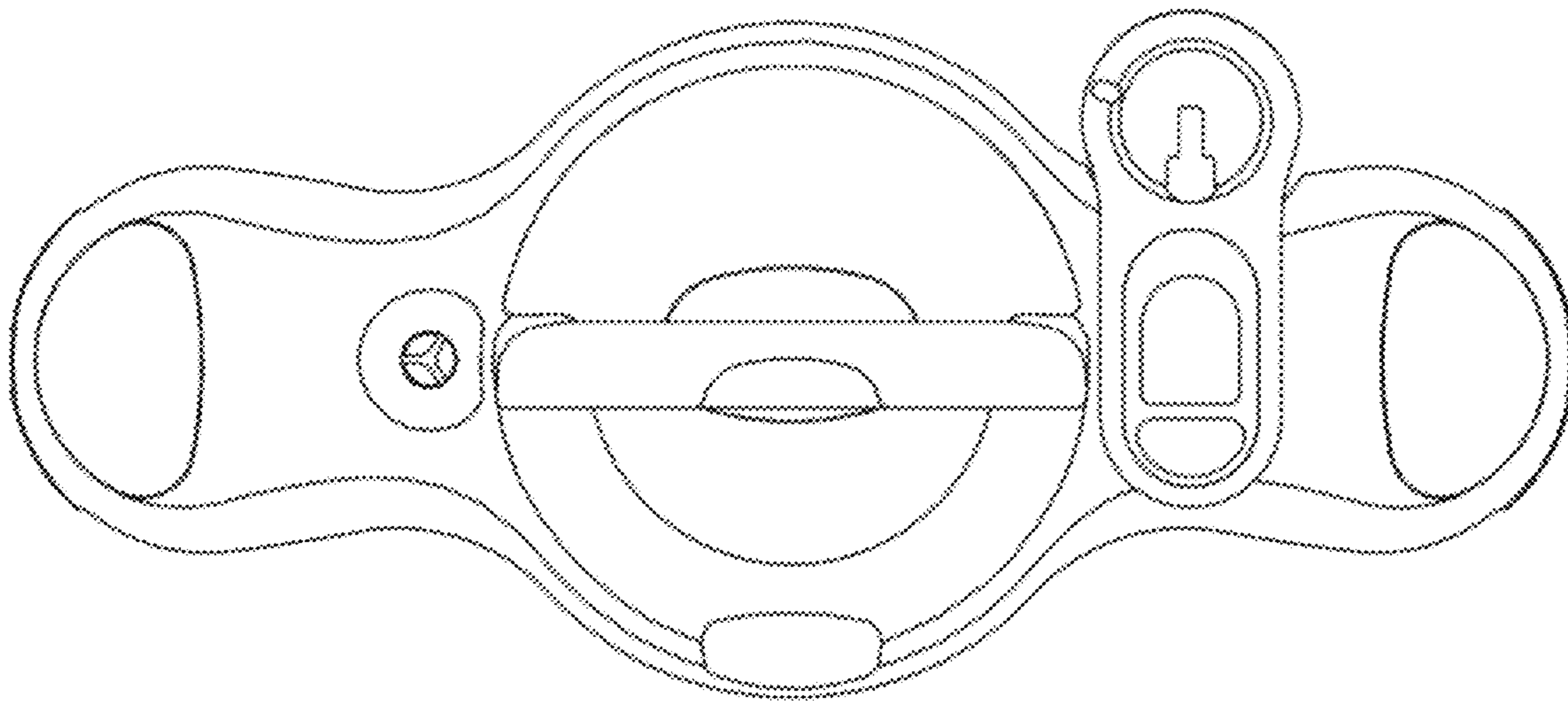
1.39



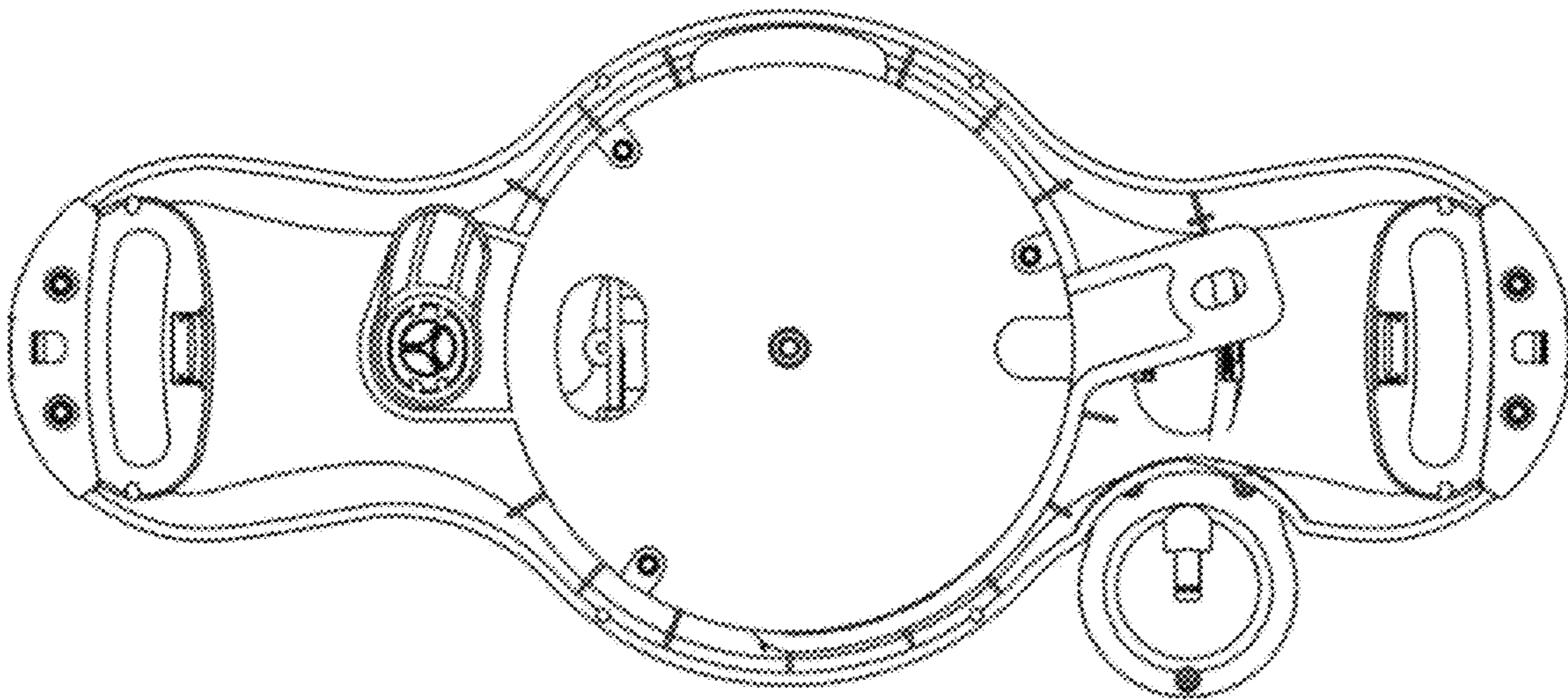
1.40



1.41



1.42



UNITED STATES PATENT AND TRADEMARK OFFICE
CERTIFICATE OF CORRECTION

PATENT NO. : D830,108 S
APPLICATION NO. : 35/502542
DATED : October 9, 2018
INVENTOR(S) : Azumi

Page 1 of 1

It is certified that error appears in the above-identified patent and that said Letters Patent is hereby corrected as shown below:

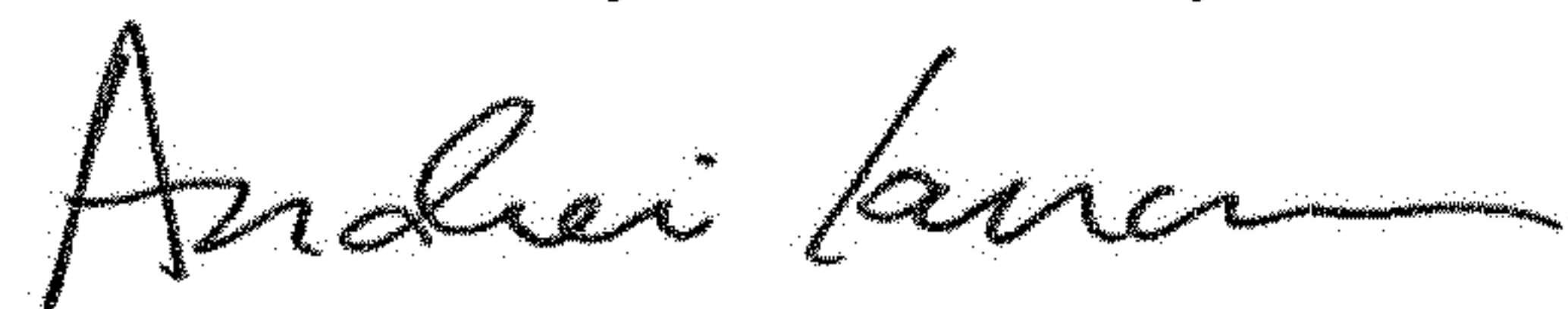
On the Title Page

ADD:

(73) Assignee: TEFAL, Ecully (FR)

(74) Attorney, Agent, or Firm: The Webb Law Firm

Signed and Sealed this
Twelfth Day of February, 2019



Andrei Iancu
Director of the United States Patent and Trademark Office