



US00D830107S

(12) **United States Design Patent**  
**Zhang**

(10) **Patent No.:** **US D830,107 S**

(45) **Date of Patent:** **\*\* Oct. 9, 2018**

(54) **SLOW COOKER**

(71) Applicant: **FOSHAN SHUNDE MIDEA  
ELECTRICAL HEATING  
APPLIANCES MANUFACTURING  
CO., LIMITED**, Guangdong (CN)

(72) Inventor: **Mengmeng Zhang**, Guangdong (CN)

(73) Assignee: **FOSHAN SHUNDE MIDEA  
ELECTRICAL HEATING  
APPLIANCES MANUFACTURING  
CO., LIMITED**, Foshan, Guangdong  
(CN)

(\*\*) Term: **15 Years**

(21) Appl. No.: **29/616,757**

(22) Filed: **Sep. 8, 2017**

(51) **LOC (11) Cl.** ..... **07-02**

(52) **U.S. Cl.**  
USPC ..... **D7/358; D7/354; D7/357**

(58) **Field of Classification Search**  
USPC ..... D7/323, 354-361, 391, 393, 406  
CPC ..... A47J 27/00; A47J 27/002; A47J 27/004;  
A47J 27/08; A47J 27/0802; A47J  
27/0804; A47J 27/0811; A47J 27/0813;  
A47J 27/0815; A47J 27/0817; A47J  
27/084; A47J 27/09; A47J 27/092; A47J  
36/025; A47J 36/06; A47J 36/08; A47J  
37/12; A47J 37/1204; A47J 37/1209;  
A47J 45/07; A47J 45/071; A47J 45/074;  
A47J 45/08; B01D 2201/345; B01J 3/03;  
B01J 3/04; F01P 2011/0247; F01P  
2011/0252; H05B 6/00; H05B 6/02;  
H05B 6/06

See application file for complete search history.

(56) **References Cited**

**U.S. PATENT DOCUMENTS**

D549,517 S \* 8/2007 Moran ..... D7/358  
7,291,812 B2 \* 11/2007 Kaney ..... A47J 27/004  
219/432

D568,676 S \* 5/2008 Steiner ..... D7/354  
D635,818 S \* 4/2011 Tse ..... D7/354  
D641,204 S \* 7/2011 Baumgartner ..... D7/354  
D642,856 S \* 8/2011 Bock ..... D7/354  
D649,831 S \* 12/2011 Romandy ..... D7/393  
D682,009 S \* 5/2013 Day ..... D7/354  
D697,750 S \* 1/2014 Ye ..... D7/354  
D698,595 S \* 2/2014 Kunz ..... D7/354  
D701,416 S \* 3/2014 Day ..... D7/354

(Continued)

*Primary Examiner* — Ricky Pham

(74) *Attorney, Agent, or Firm* — Morgan, Lewis &  
Bockius LLP

(57) **CLAIM**

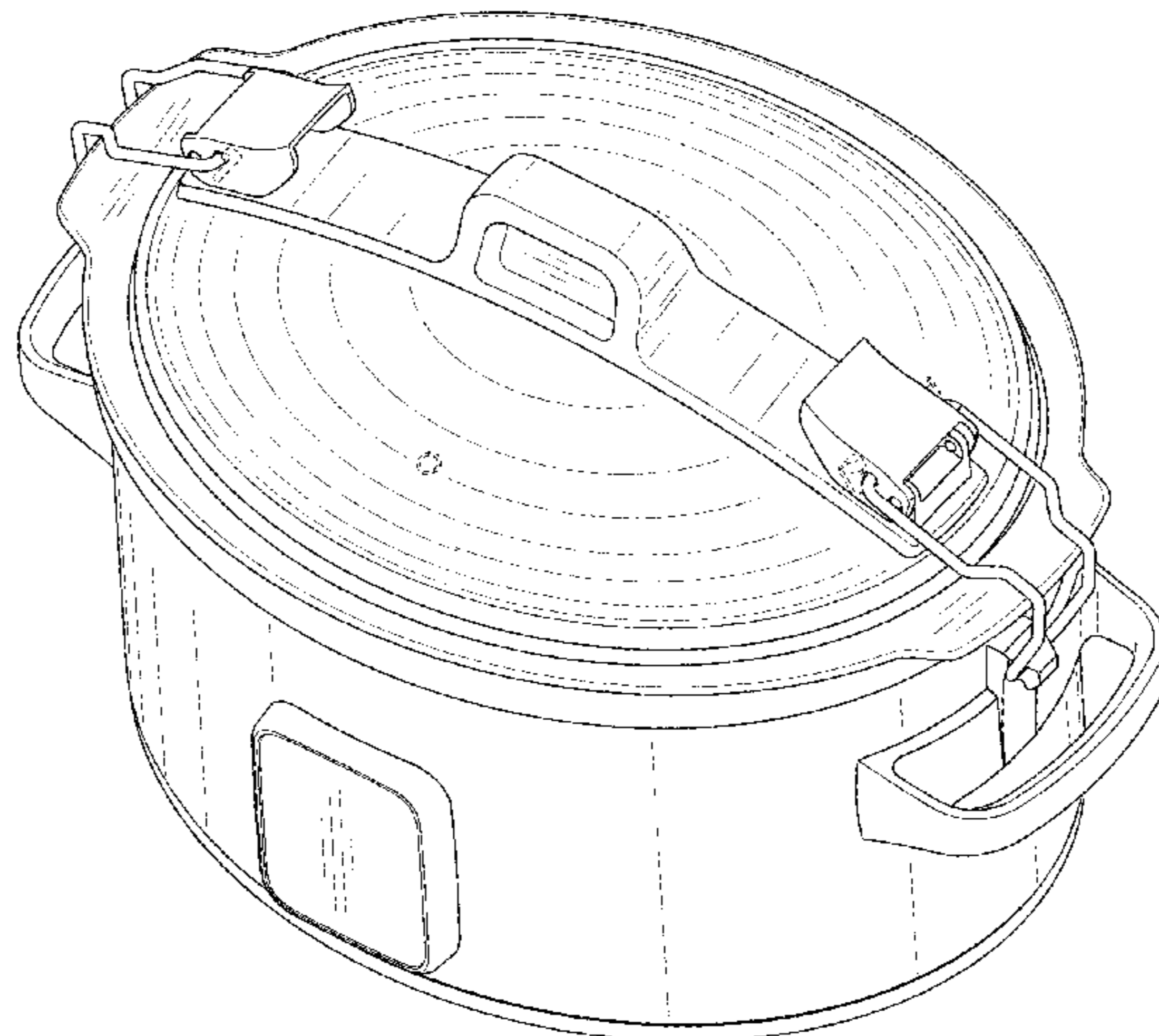
The ornamental design for a slow cooker, as shown and described.

**DESCRIPTION**

FIG. 1 is a front perspective view of a slow cooker showing my new design;  
FIG. 2 is a front elevational view of the slow cooker shown in FIG. 1;  
FIG. 3 is a rear elevational view of the slow cooker shown in FIG. 1;  
FIG. 4 is a right-side elevational view of the slow cooker shown in FIG. 1;  
FIG. 5 is a left-side elevational view of the slow cooker shown in FIG. 1;  
FIG. 6 is a top plan view of the slow cooker shown in FIG. 1; and,  
FIG. 7 is a bottom plan view of the slow cooker shown in FIG. 1.

The broken lines immediately adjacent the shaded areas represent the bounds of the claimed design while all other broken lines are directed to environment and are for illustrative purposes only; the broken lines form no part of the claimed design.

**1 Claim, 7 Drawing Sheets**



(56)

**References Cited**

U.S. PATENT DOCUMENTS

D814,846 S \* 4/2018 Hedrington ..... D7/354  
2010/0251902 A1 \* 10/2010 Schandel ..... A47J 27/004  
99/348

\* cited by examiner

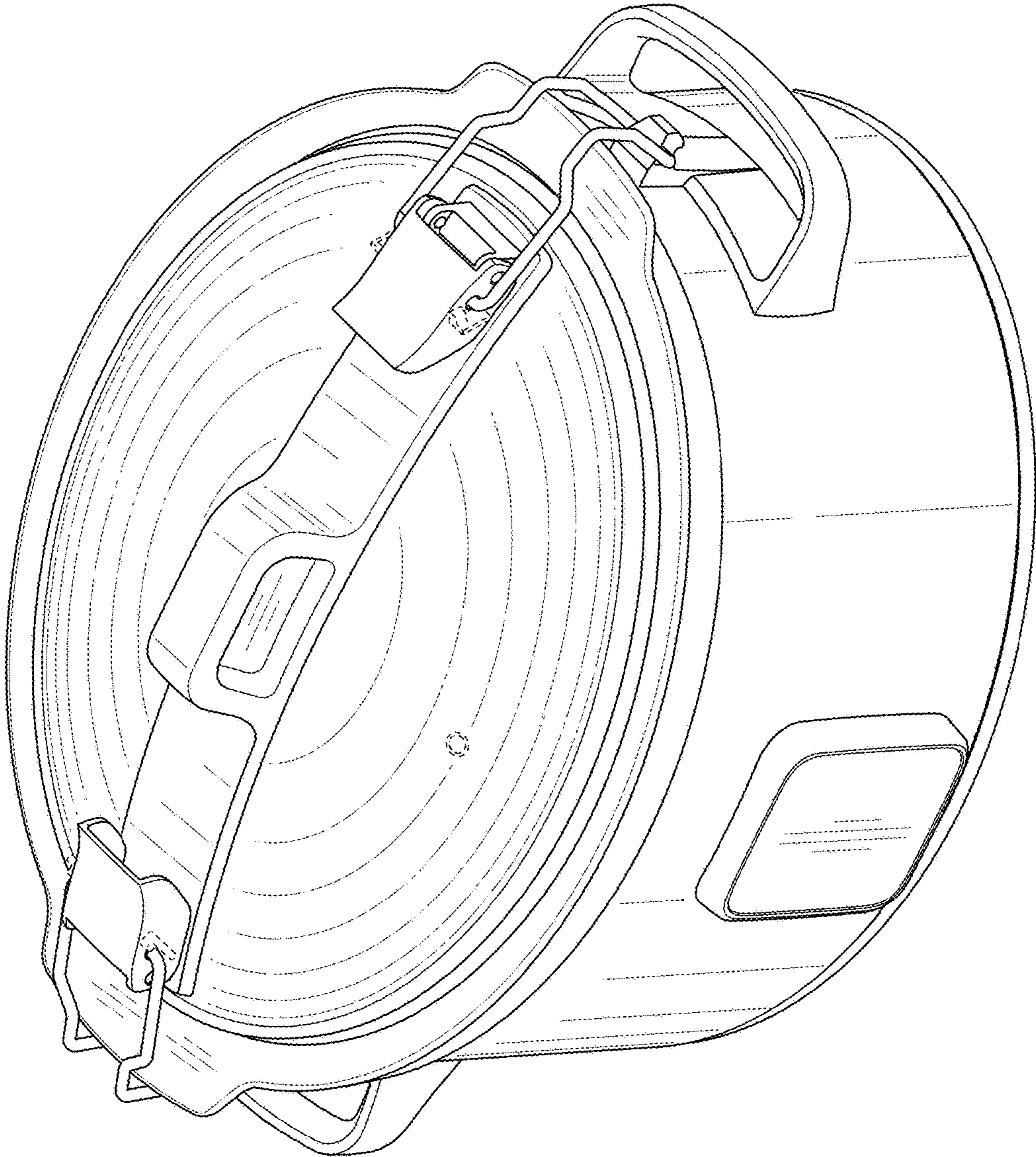


FIG. 1

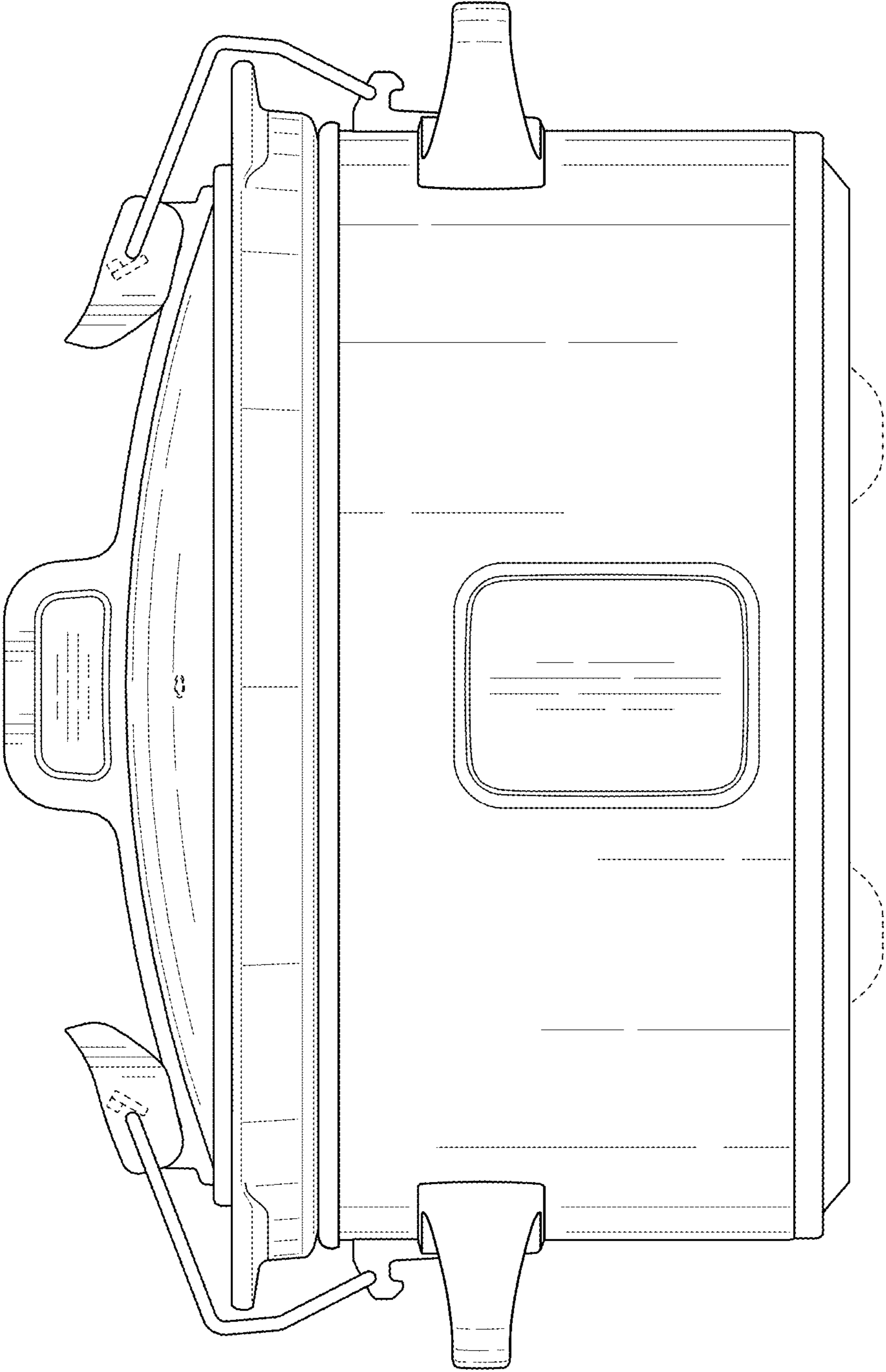


FIG. 2

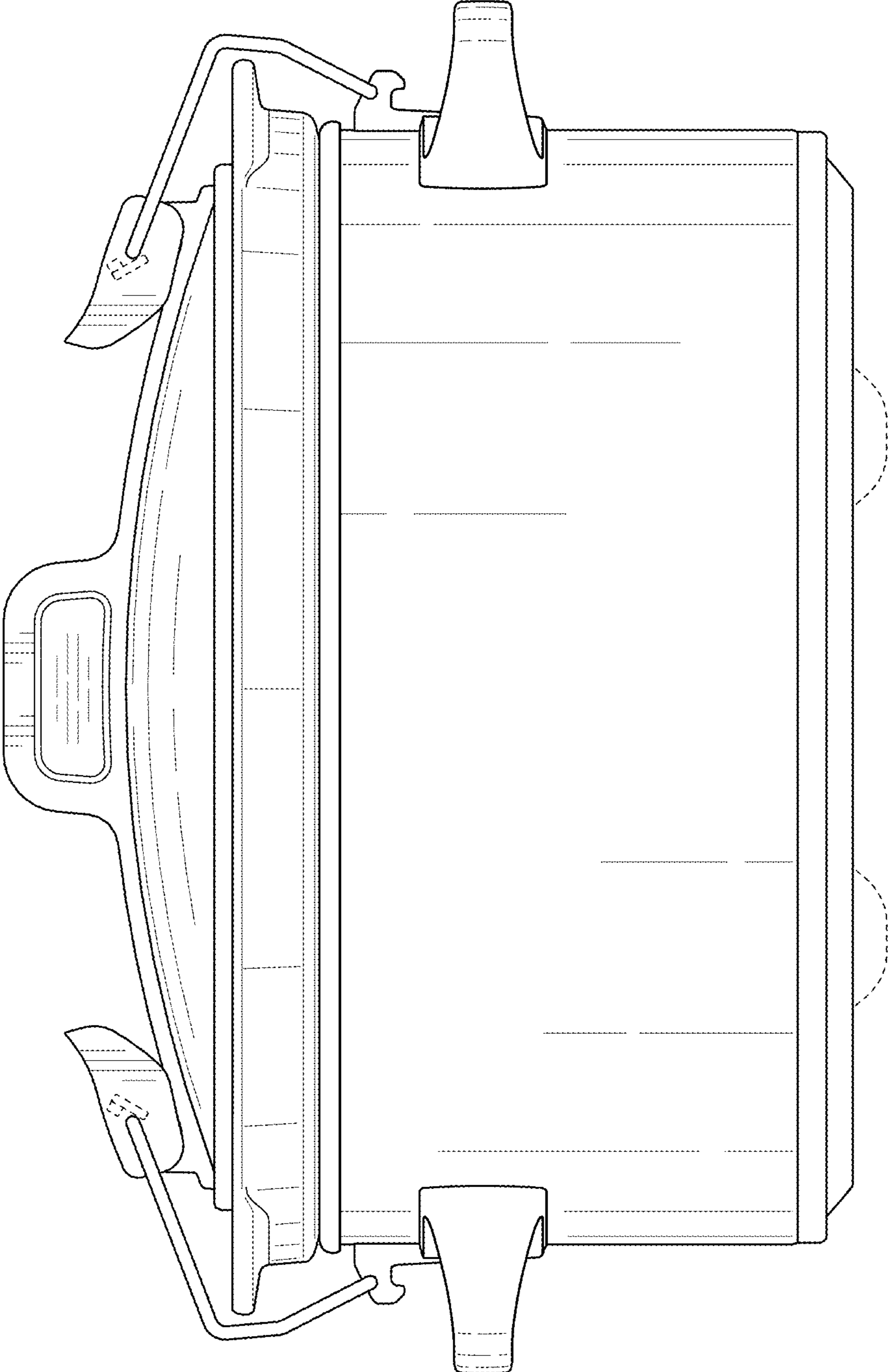


FIG. 3

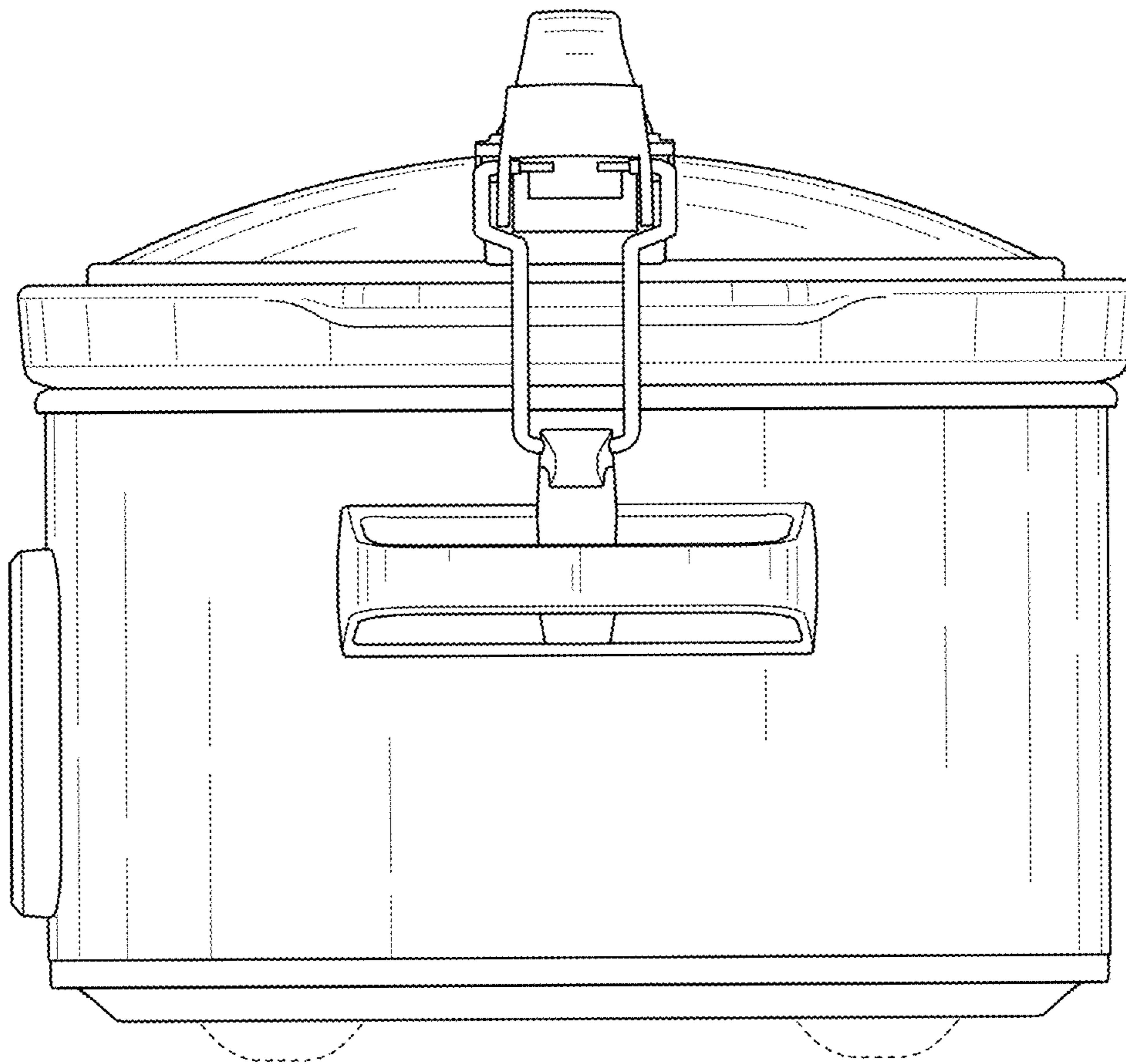


FIG. 4

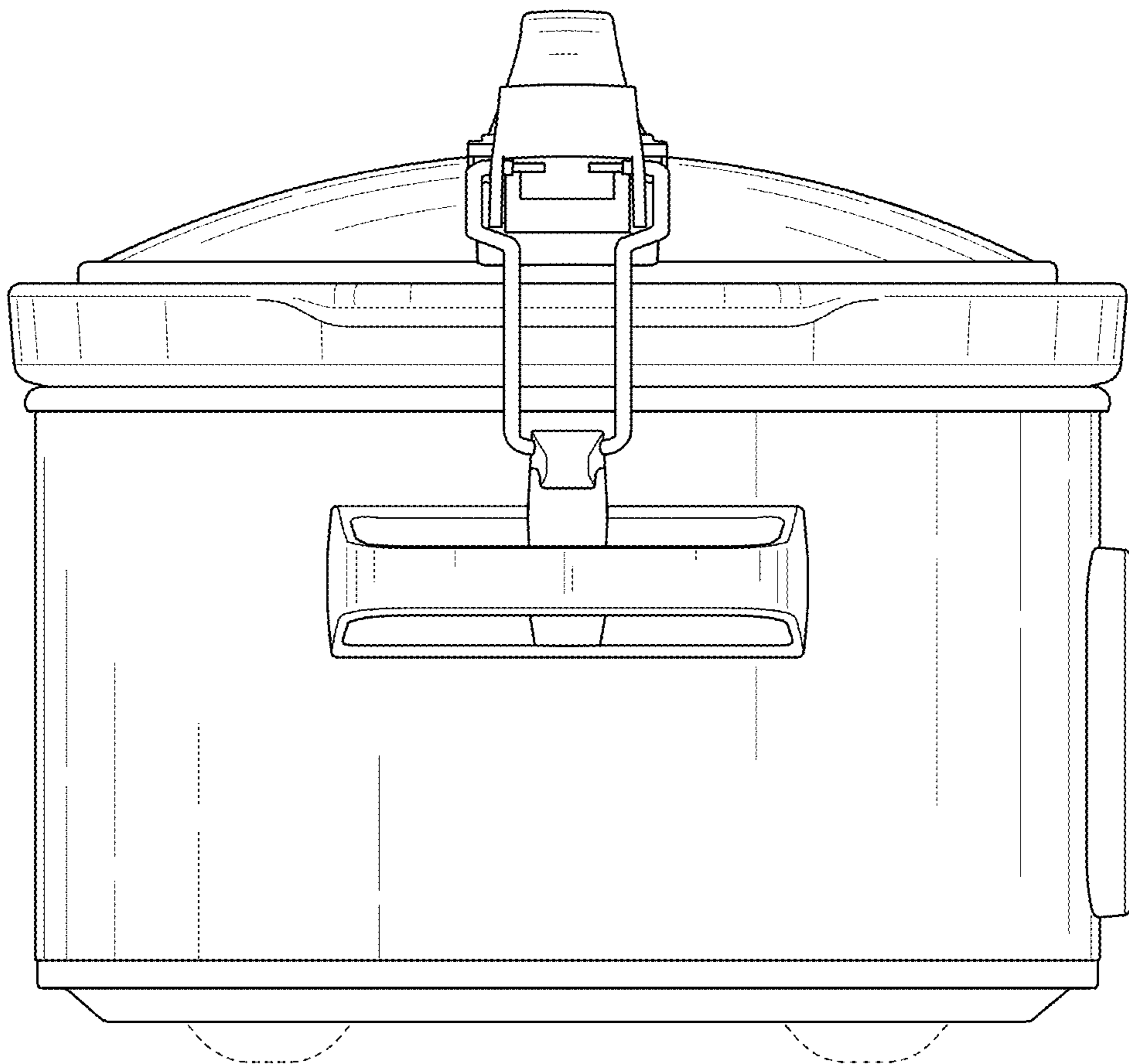


FIG. 5

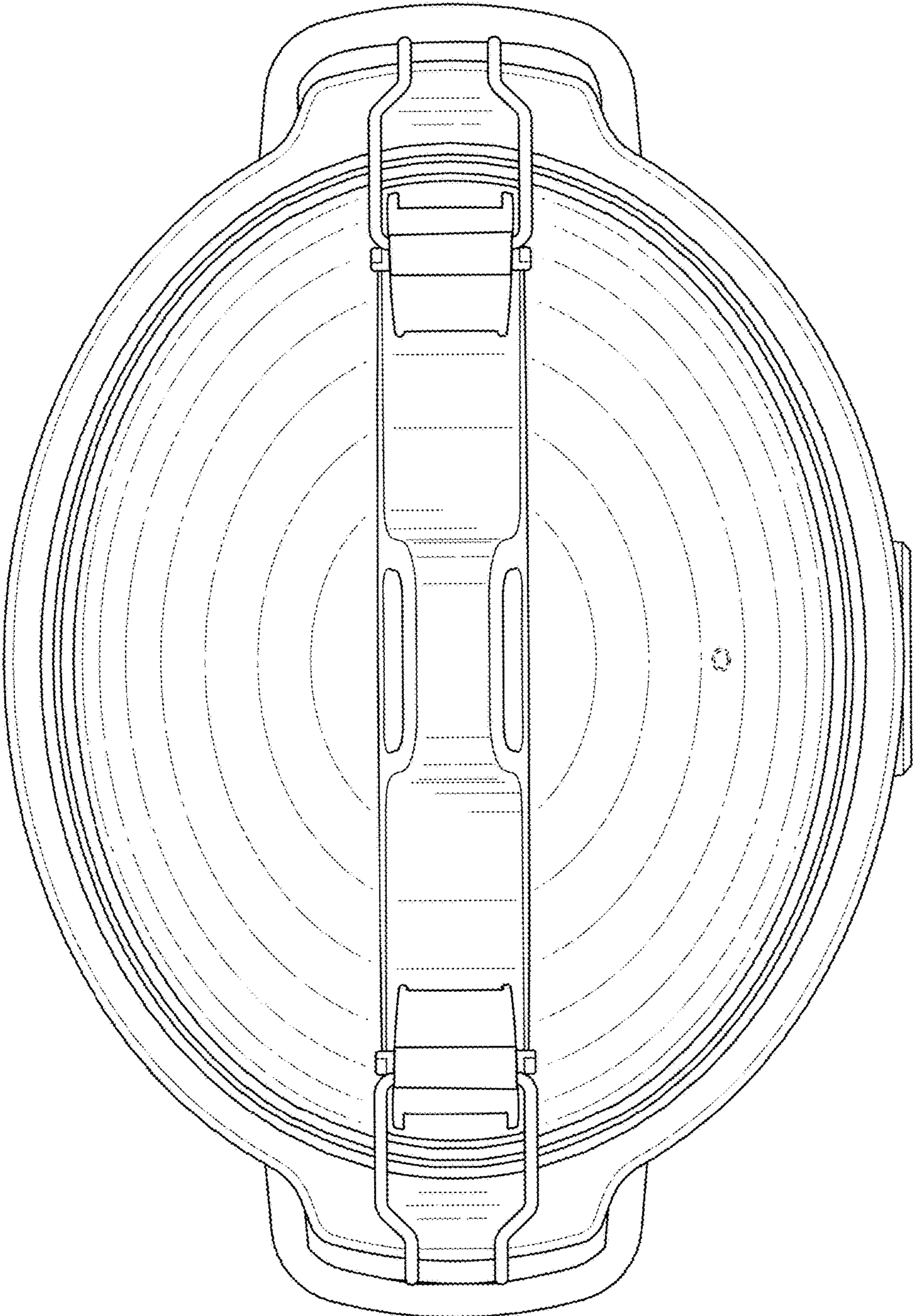


FIG. 6



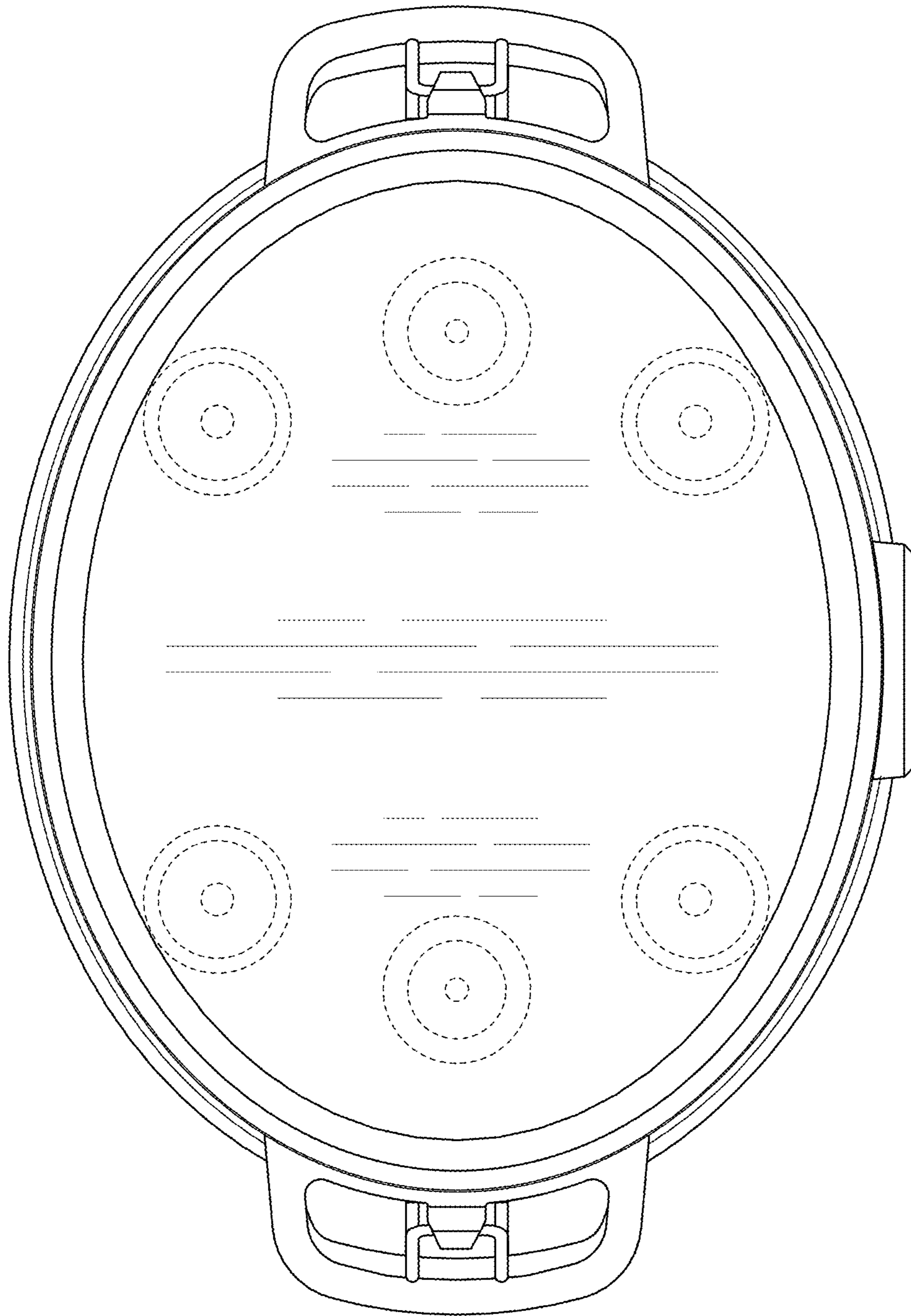


FIG. 7