

US00D830106S

(12) **United States Design Patent**
Zhang

(10) **Patent No.:** **US D830,106 S**

(45) **Date of Patent:** **** Oct. 9, 2018**

(54) **SLOW COOKER**

(71) Applicant: **FOSHAN SHUNDE MIDEA
ELECTRICAL HEATING
APPLIANCES MANUFACTURING
CO., LIMITED, Guangdong (CN)**

(72) Inventor: **Mengmeng Zhang, Guangdong (CN)**

(73) Assignee: **FOSHAN SHUNDE MIDEA
ELECTRICAL HEATING
APPLIANCES MANUFACTURING
CO., LIMITED, Foshan, Guangdong
(CN)**

(**) Term: **15 Years**

(21) Appl. No.: **29/617,942**

(22) Filed: **Sep. 18, 2017**

(51) **LOC (11) Cl.** **07-02**

(52) **U.S. Cl.**
USPC **D7/357; D7/354**

(58) **Field of Classification Search**
USPC D7/323, 354-361, 391, 393, 406
CPC A47J 27/00; A47J 27/002; A47J 27/004;
A47J 27/08; A47J 27/0802; A47J
27/0804; A47J 27/0811; A47J 27/0813;
A47J 27/0815; A47J 27/0817; A47J
27/084; A47J 27/09; A47J 27/092; A47J
36/025; A47J 36/06; A47J 36/08; A47J
37/12; A47J 37/1204; A47J 37/1209;
A47J 45/07; A47J 45/071; A47J 45/074;
A47J 45/08; B01D 2201/345; B01J 3/03;
B01J 3/04; F01P 2011/0247; F01P
2011/0252; H05B 6/00; H05B 6/02;
H05B 6/06

See application file for complete search history.

(56) **References Cited**

U.S. PATENT DOCUMENTS

D429,596 S * 8/2000 Hlava D7/360
D433,869 S * 11/2000 Wong D7/360

D537,670 S * 3/2007 Genslak D7/354
D556,504 S * 12/2007 Averty D7/360
D568,676 S * 5/2008 Steiner D7/354
D635,818 S * 4/2011 Tse D7/354
D644,476 S * 9/2011 Gregory D7/354
D646,114 S * 10/2011 Wong D7/354
D657,993 S * 4/2012 Pantaleo D7/354
D697,363 S * 1/2014 Tu D7/354
D698,595 S * 2/2014 Kunz D7/354

(Continued)

Primary Examiner — Ricky Pham

(74) *Attorney, Agent, or Firm* — Morgan, Lewis & Bockius LLP

(57) **CLAIM**

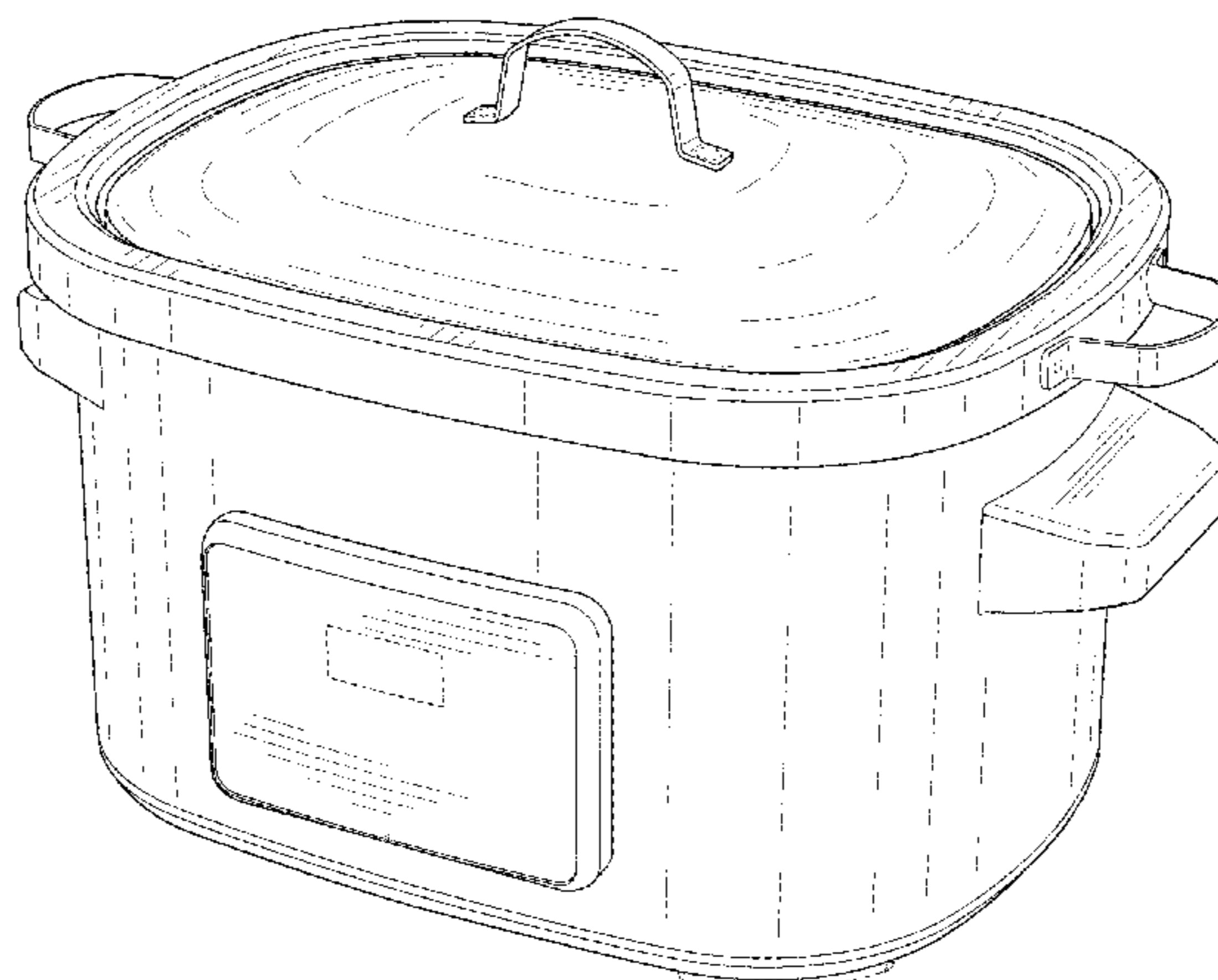
The ornamental design for a slow cooker, as shown and described.

DESCRIPTION

FIG. 1 is a front perspective view of a slow cooker showing my new design;
FIG. 2 is a front elevational view of the slow cooker shown in FIG. 1;
FIG. 3 is a rear elevational view of the slow cooker shown in FIG. 1;
FIG. 4 is a left-side elevational view of the slow cooker shown in FIG. 1;
FIG. 5 is a right-side elevational view of the slow cooker shown in FIG. 1;
FIG. 6 is a top plan view of the slow cooker shown in FIG. 1; and,
FIG. 7 is a bottom plan view of the slow cooker shown in FIG. 1.

The broken lines immediately adjacent the shaded areas represent the bounds of the claimed design while all other broken lines are directed to environment and are for illustrative purposes only; the broken lines form no part of the claimed design.

1 Claim, 7 Drawing Sheets



(56)

References Cited

U.S. PATENT DOCUMENTS

D701,416 S * 3/2014 Day D7/354
2007/0210062 A1 * 9/2007 Gaynor A47J 27/004
219/442

* cited by examiner

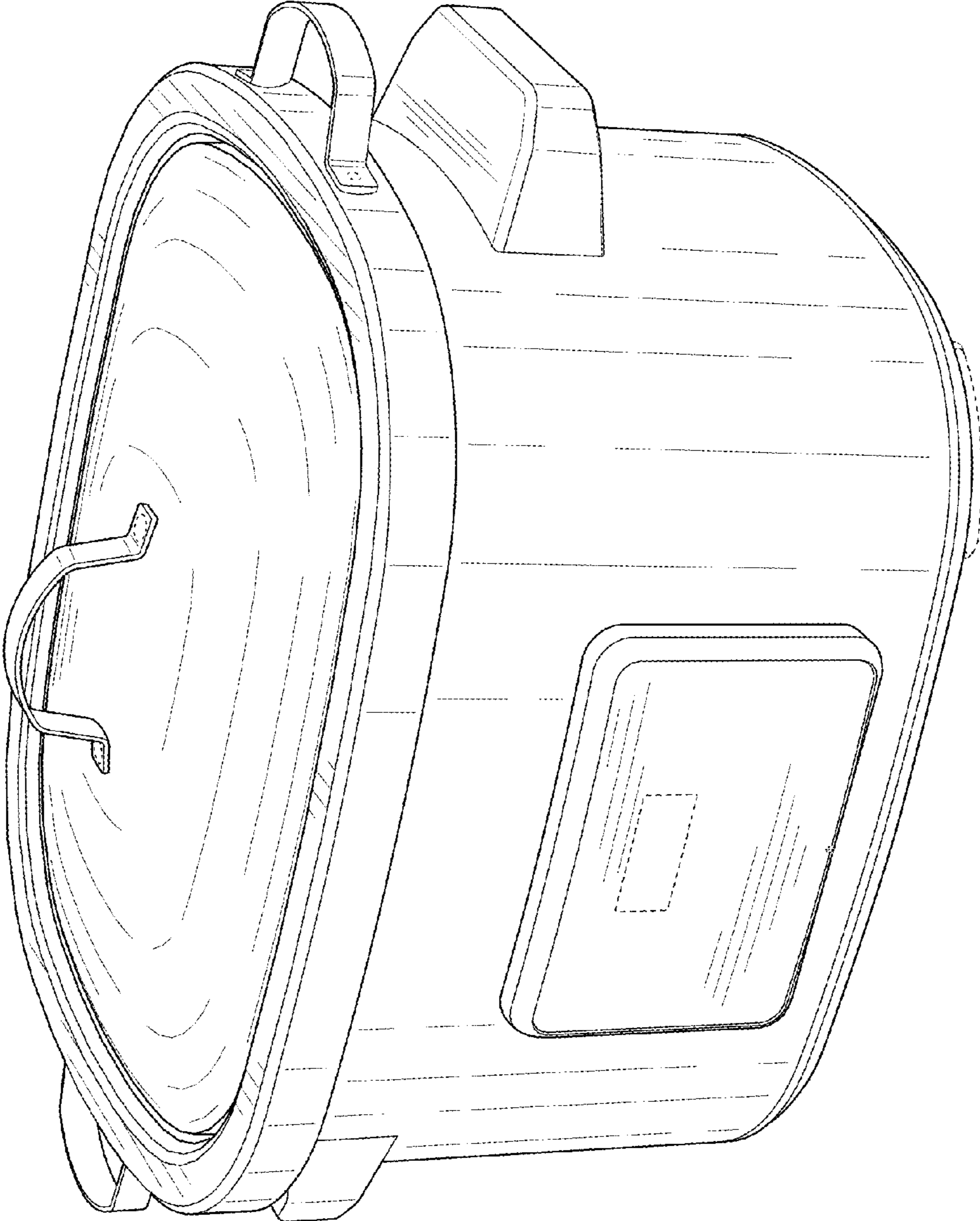


FIG. 1

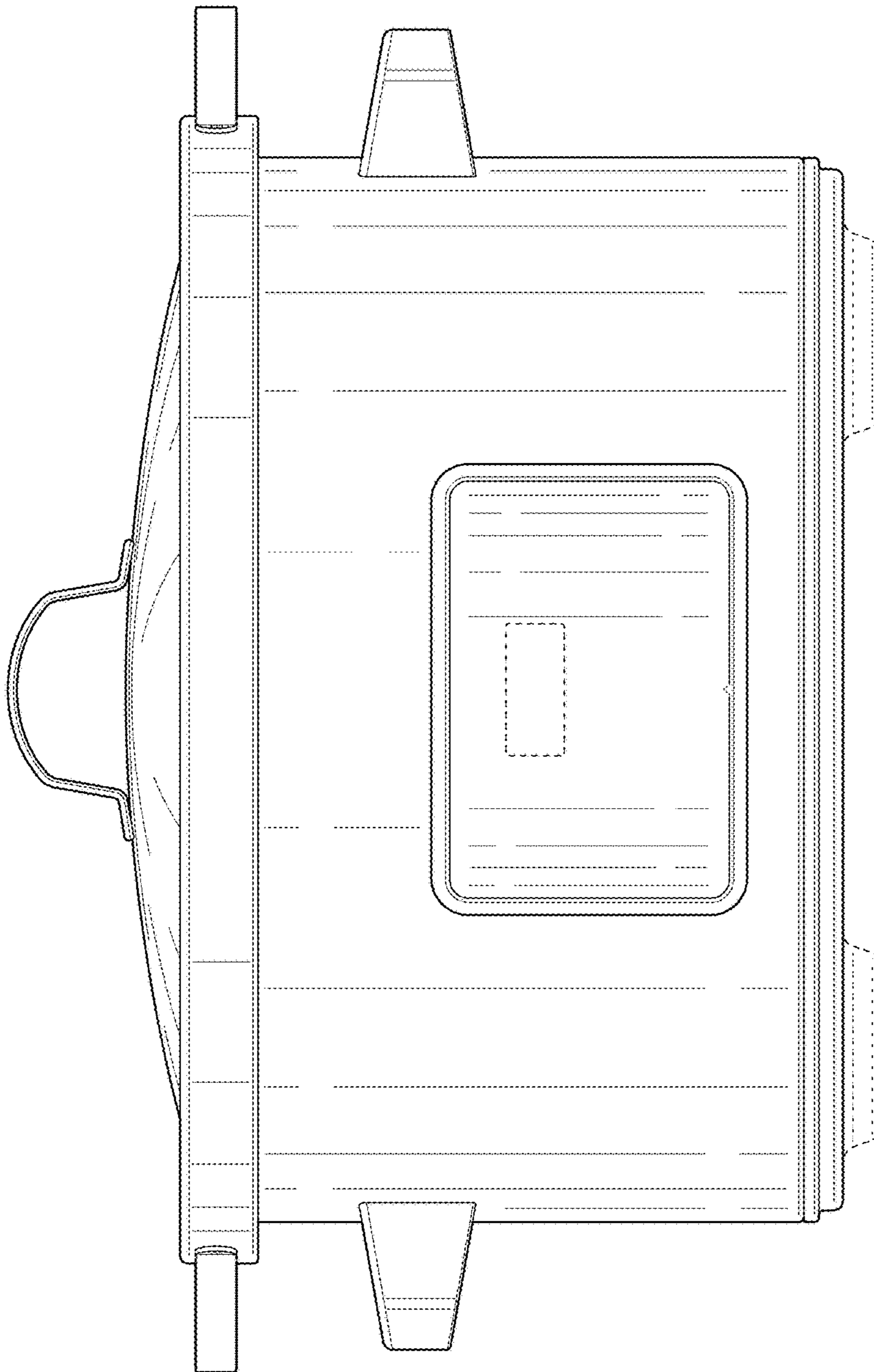


FIG. 2

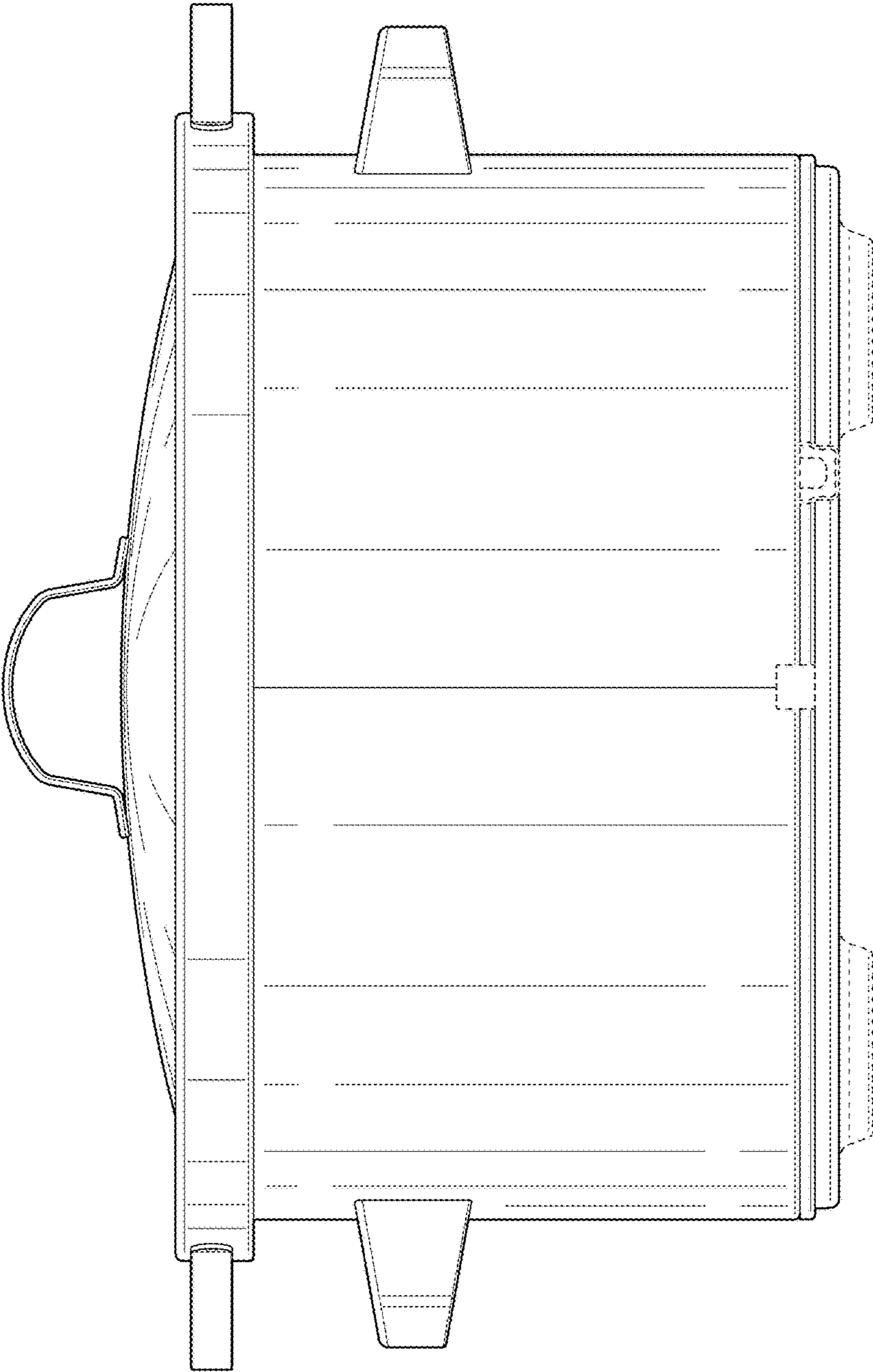


FIG. 3

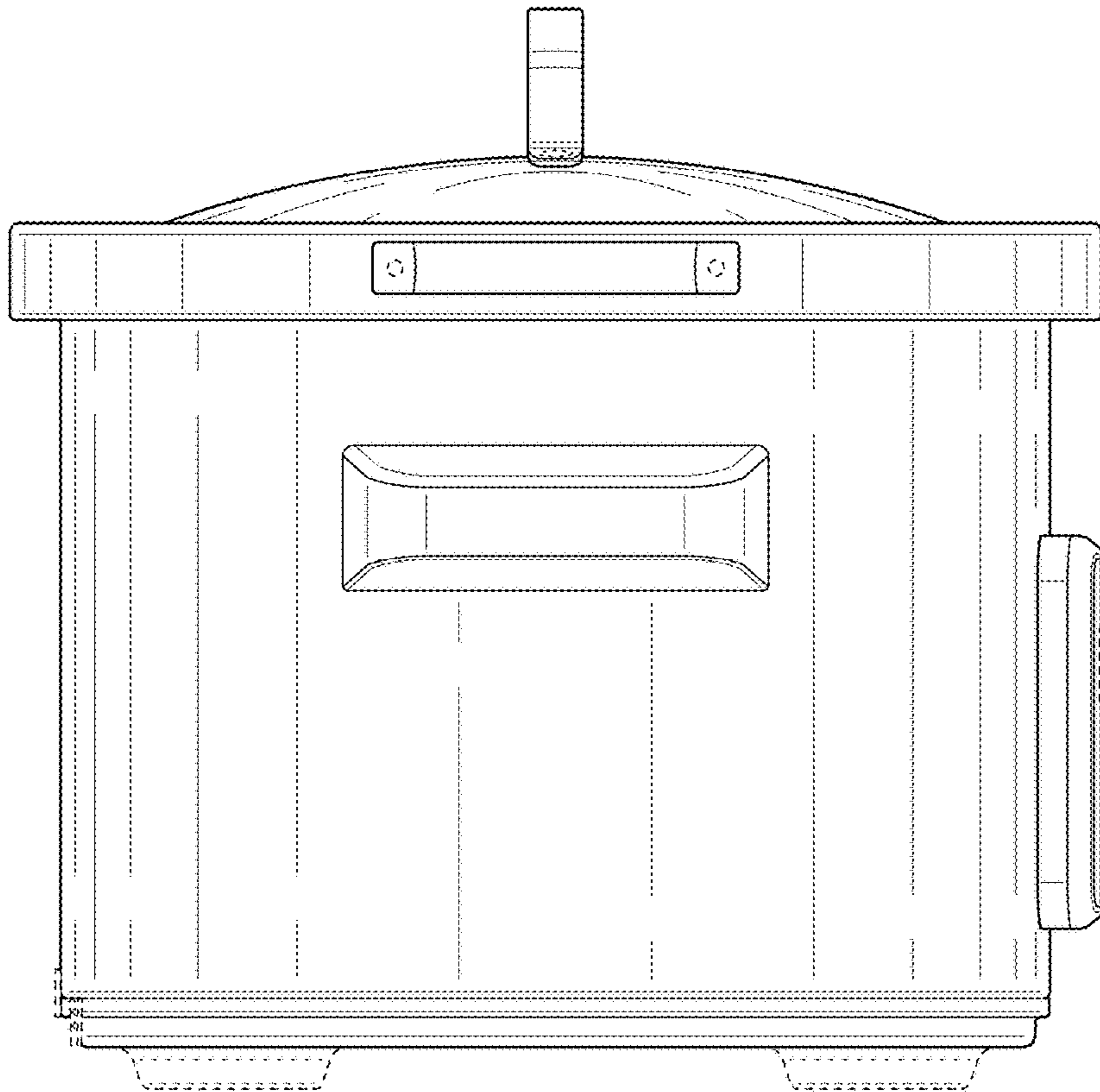


FIG. 4

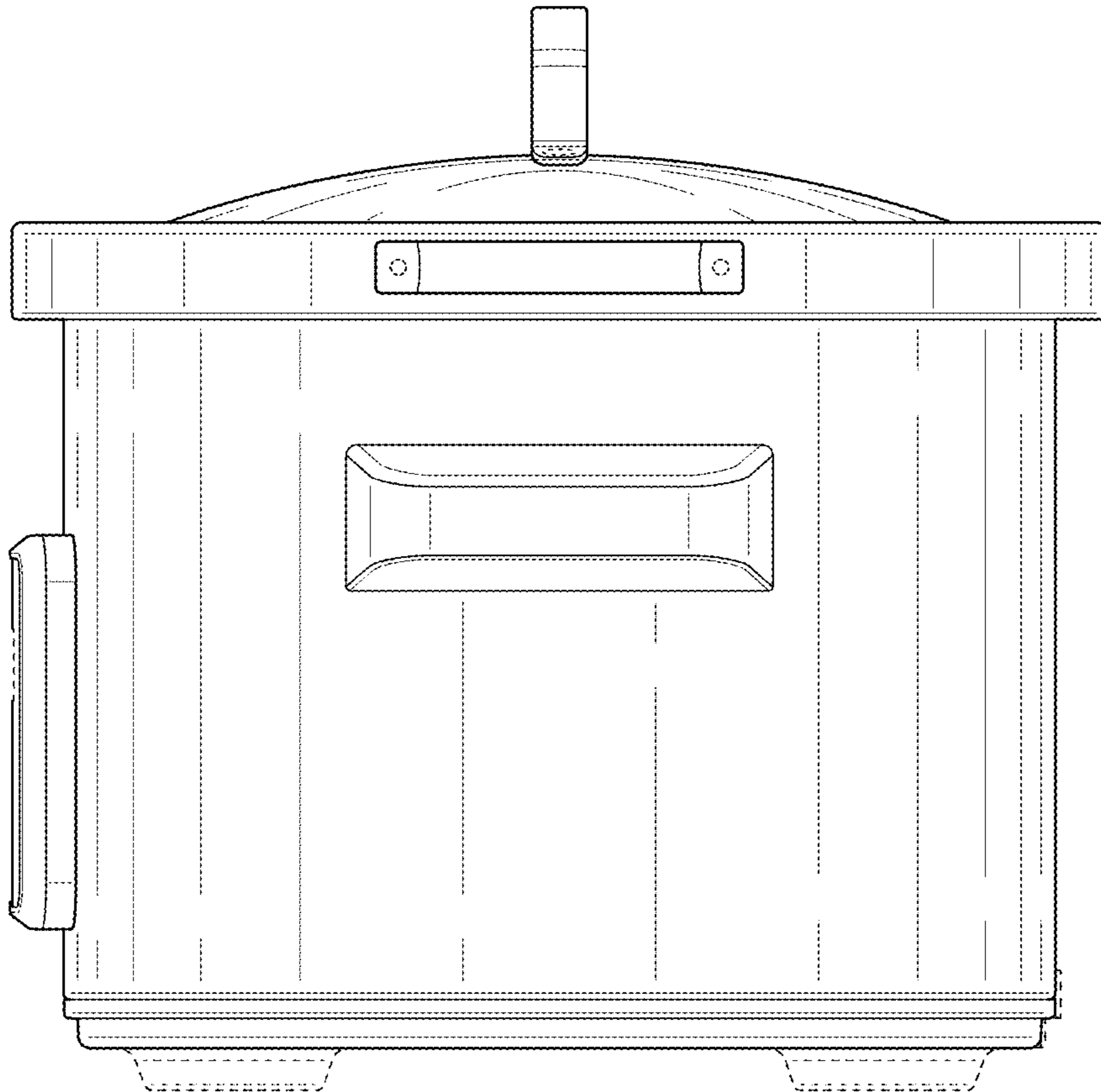


FIG. 5

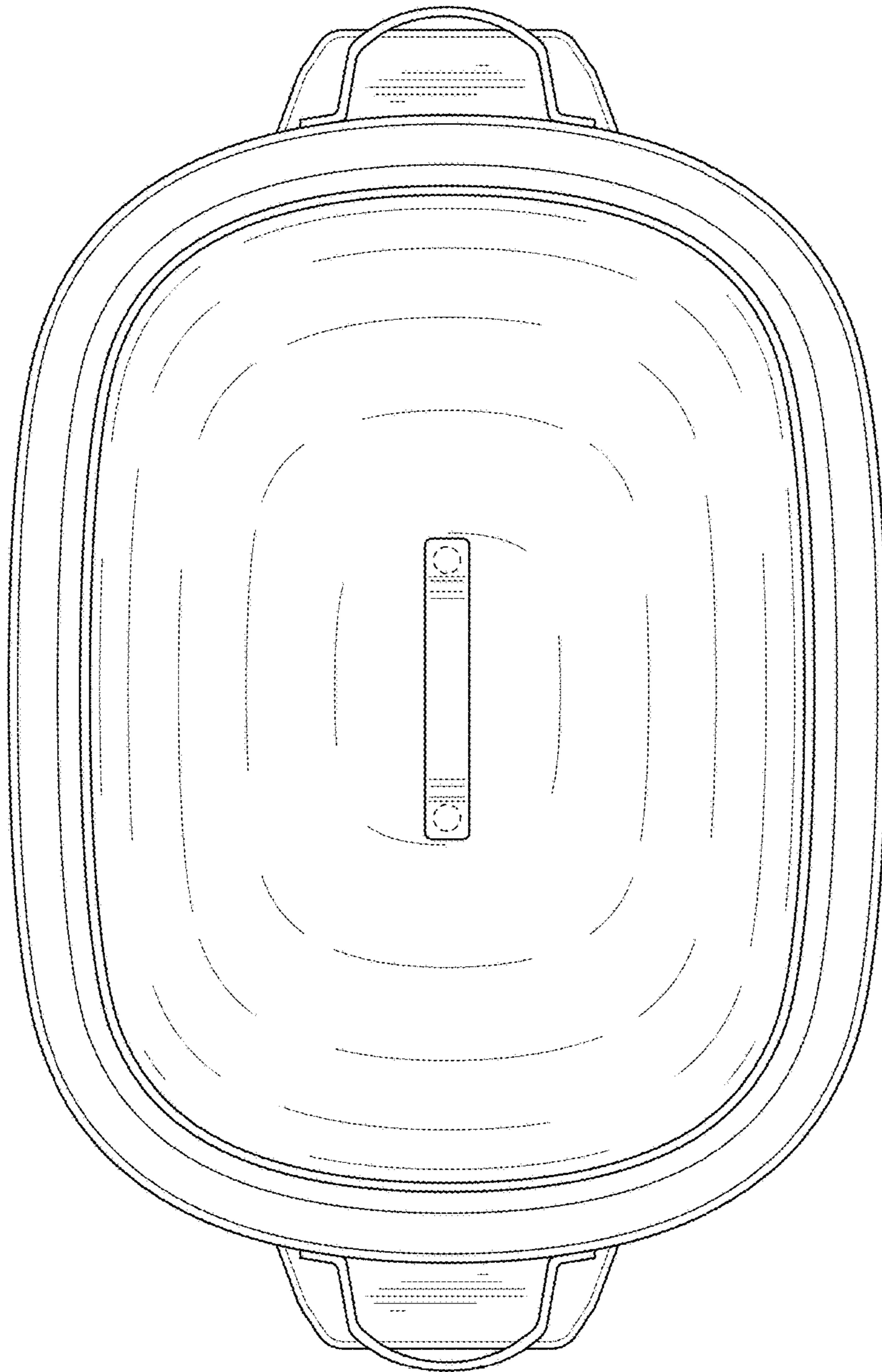


FIG. 6

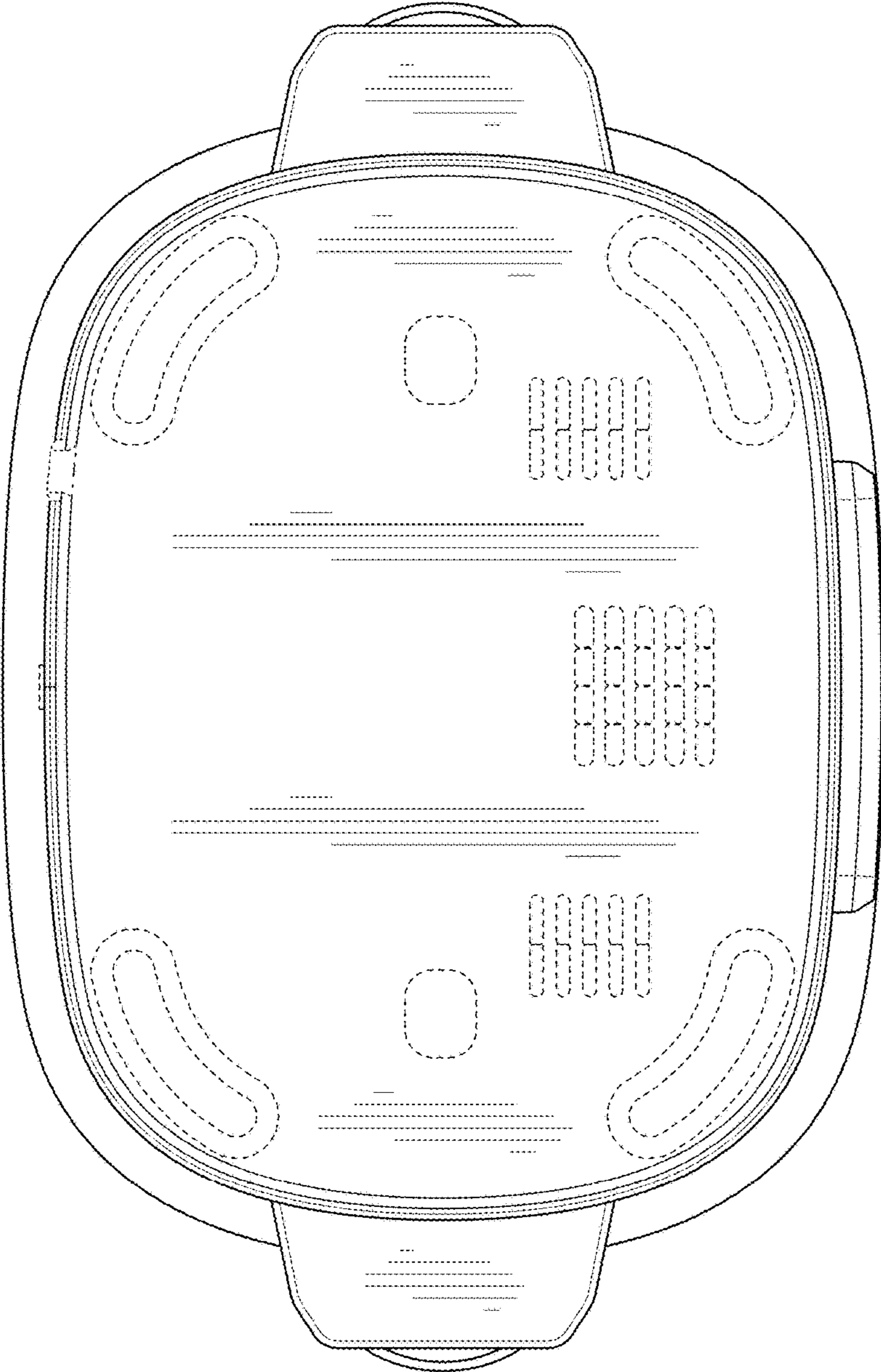


FIG. 7