



US00D830104S

(12) **United States Design Patent**
Miyawaki et al.

(10) **Patent No.:** **US D830,104 S**
(45) **Date of Patent:** **** Oct. 9, 2018**

- (54) **ELECTRIC RICE COOKER**
- (71) Applicant: **IRIS OHYAMA INC.**, Sendai-shi,
Miyagi (JP)
- (72) Inventors: **Masayuki Miyawaki**, Kakuda (JP);
Shohei Tokoi, Kakuda (JP)
- (73) Assignee: **IRIS OHYAMA INC.**, Sendai-shi (JP)

D475,570 S *	6/2003	Josancy	D7/354
D505,293 S *	5/2005	Jung	D7/354
D604,092 S *	11/2009	Kotani	D7/354
D637,452 S *	5/2011	Nakatani	D7/354
D641,586 S *	7/2011	Martin	D7/354
D684,806 S *	6/2013	Nakatani	D7/354
D698,593 S *	2/2014	Ishikawa	D7/354
D698,594 S *	2/2014	Ishikawa	D7/354
D712,695 S *	9/2014	Horimoto	D7/354
D715,090 S *	10/2014	Lin	D7/354
D765,460 S *	9/2016	Akiyama	D7/354

(**) Term: **15 Years**

* cited by examiner

(21) Appl. No.: **29/618,247**

Primary Examiner — Ricky Pham

(22) Filed: **Sep. 20, 2017**

(74) *Attorney, Agent, or Firm* — Studebaker & Brackett
PC

(30) **Foreign Application Priority Data**

Apr. 25, 2017 (JP) 2017-008835

(51) **LOC (11) Cl.** **07-02**

(52) **U.S. Cl.**
USPC **D7/354**

(58) **Field of Classification Search**
USPC D7/323, 354–361
CPC .. A47J 27/00; A47J 27/04; A47J 27/05; A47J
27/08; A47J 27/09; A47J 27/092; A47J
36/025; A47J 36/06; A47J 36/08; A47J
36/10; A47J 36/12; A47J 37/12; A47J
37/1204; A47J 37/1209; H05B 6/02;
H05B 6/06; H05B 6/12
See application file for complete search history.

(56) **References Cited**

U.S. PATENT DOCUMENTS

D330,825 S *	11/1992	Sekita	D7/354
D410,815 S *	6/1999	Oger	D7/354

(57) **CLAIM**

The ornamental design for an electric rice cooker, as shown and described.

DESCRIPTION

FIG. 1 is a front, top and right-side perspective view of an electric rice cooker showing our new design;
FIG. 2 is a front view thereof;
FIG. 3 is a rear view thereof;
FIG. 4 is a top view thereof;
FIG. 5 is a bottom view thereof;
FIG. 6 is a right-side view thereof;
FIG. 7 is a left-side view thereof; and,
FIG. 8 is a cross-sectional view taken along line A-A in FIG. 2.

The broken lines shown represent unclaimed subject matter of the electric rice cooker and form no part of the claimed design. The dot-dash broken lines define boundaries of the claimed design and form no part thereof.

1 Claim, 8 Drawing Sheets



FIG. 1



FIG. 2

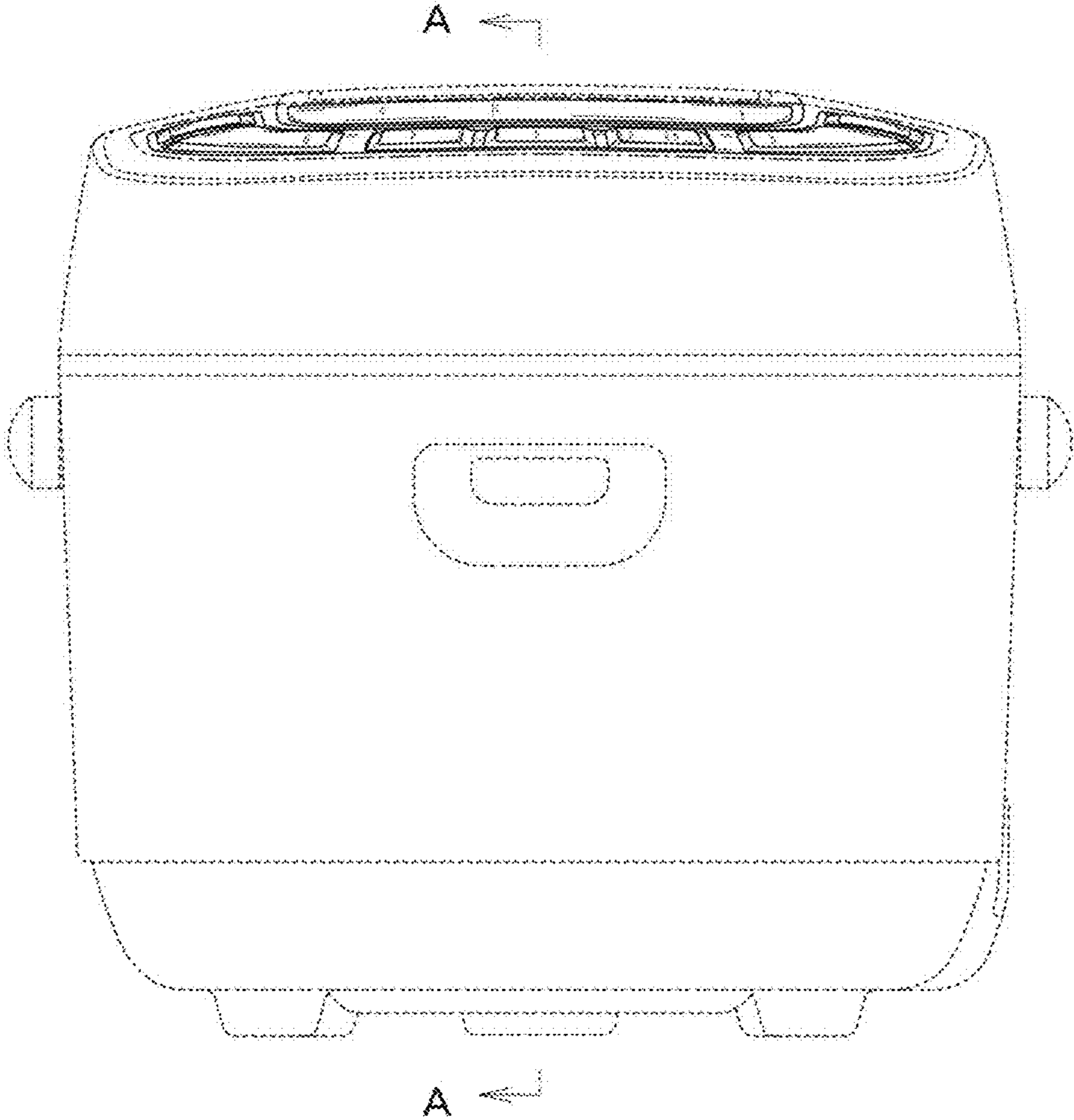


FIG. 3

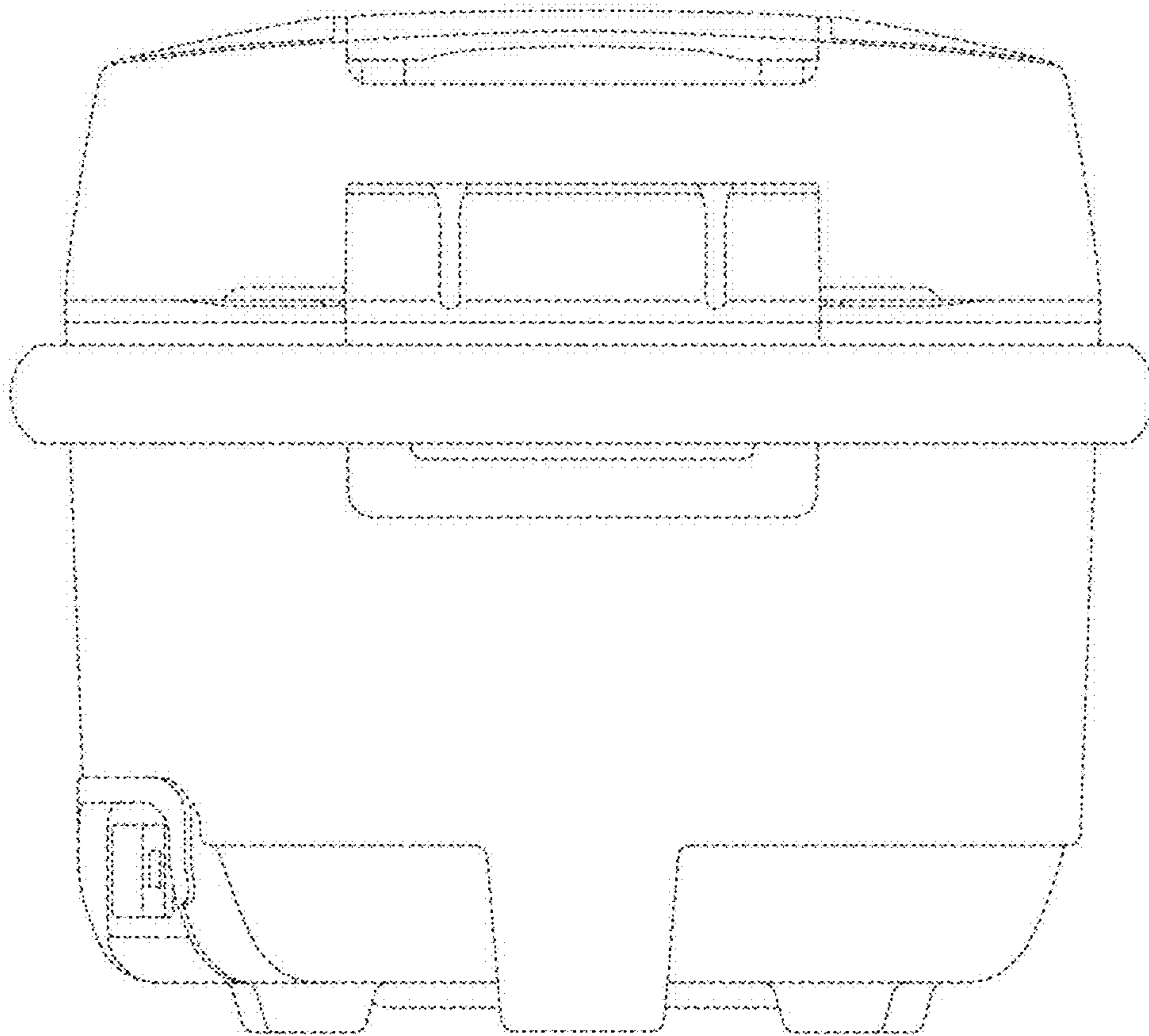


FIG. 4

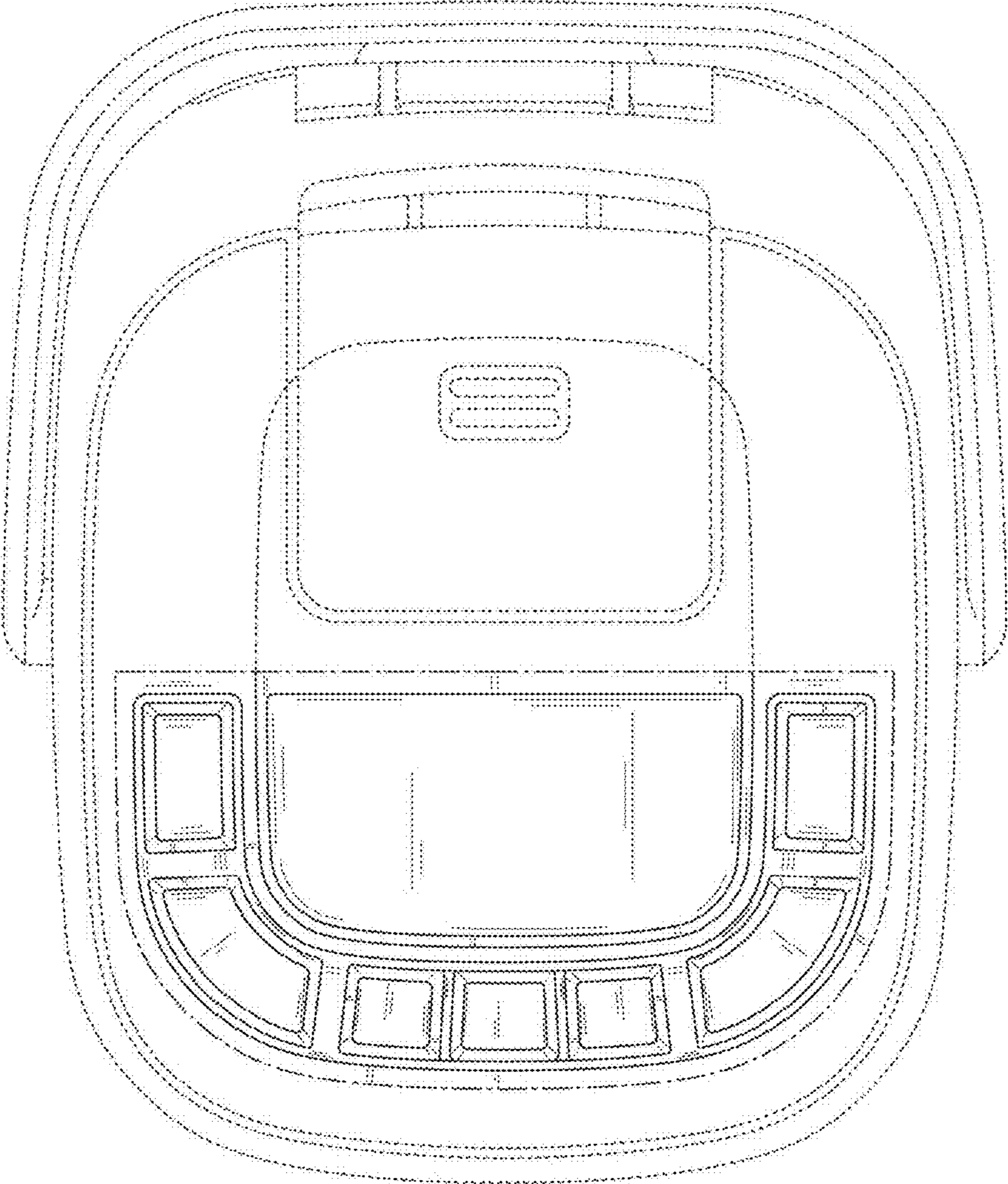


FIG. 5

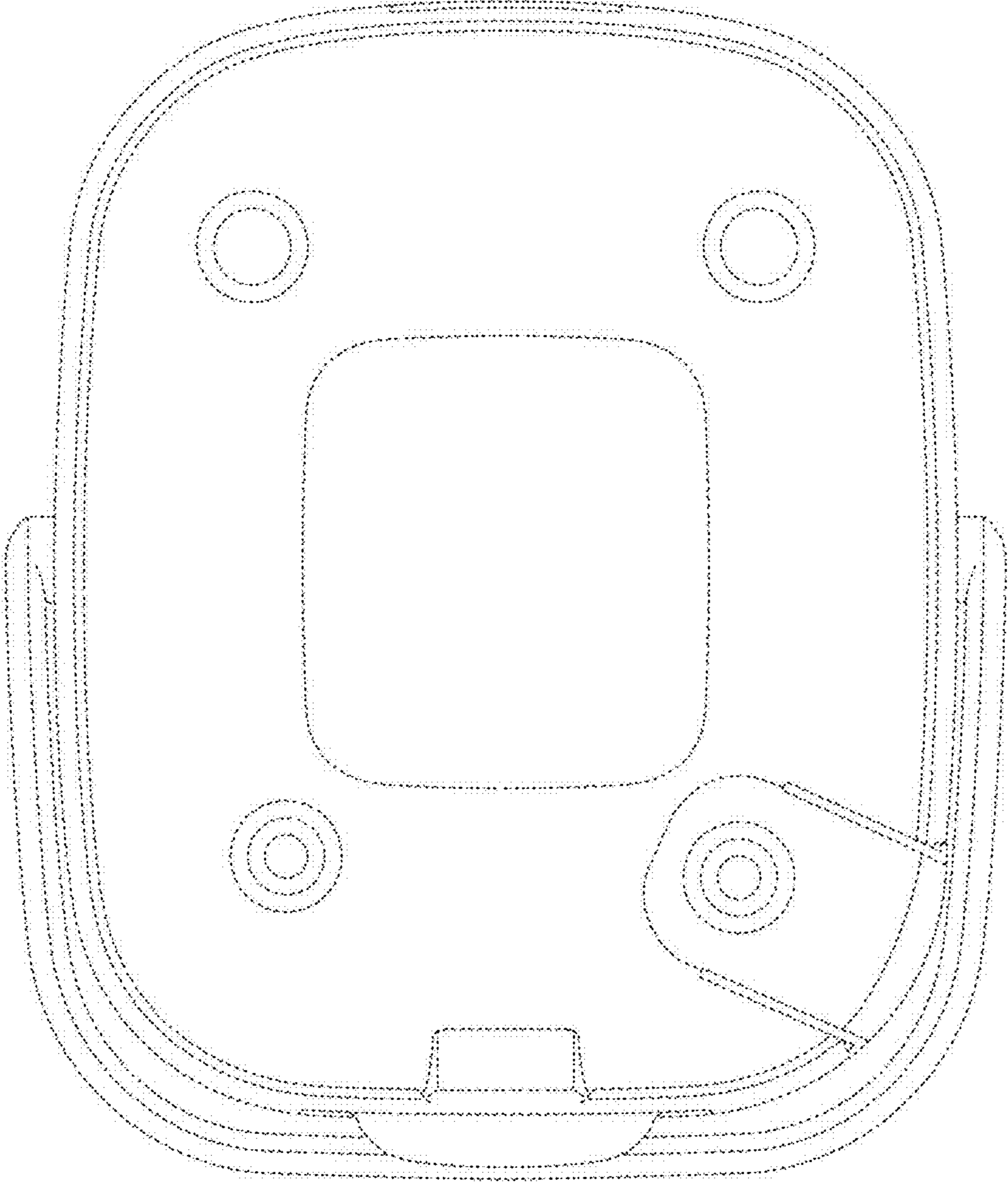


FIG. 6

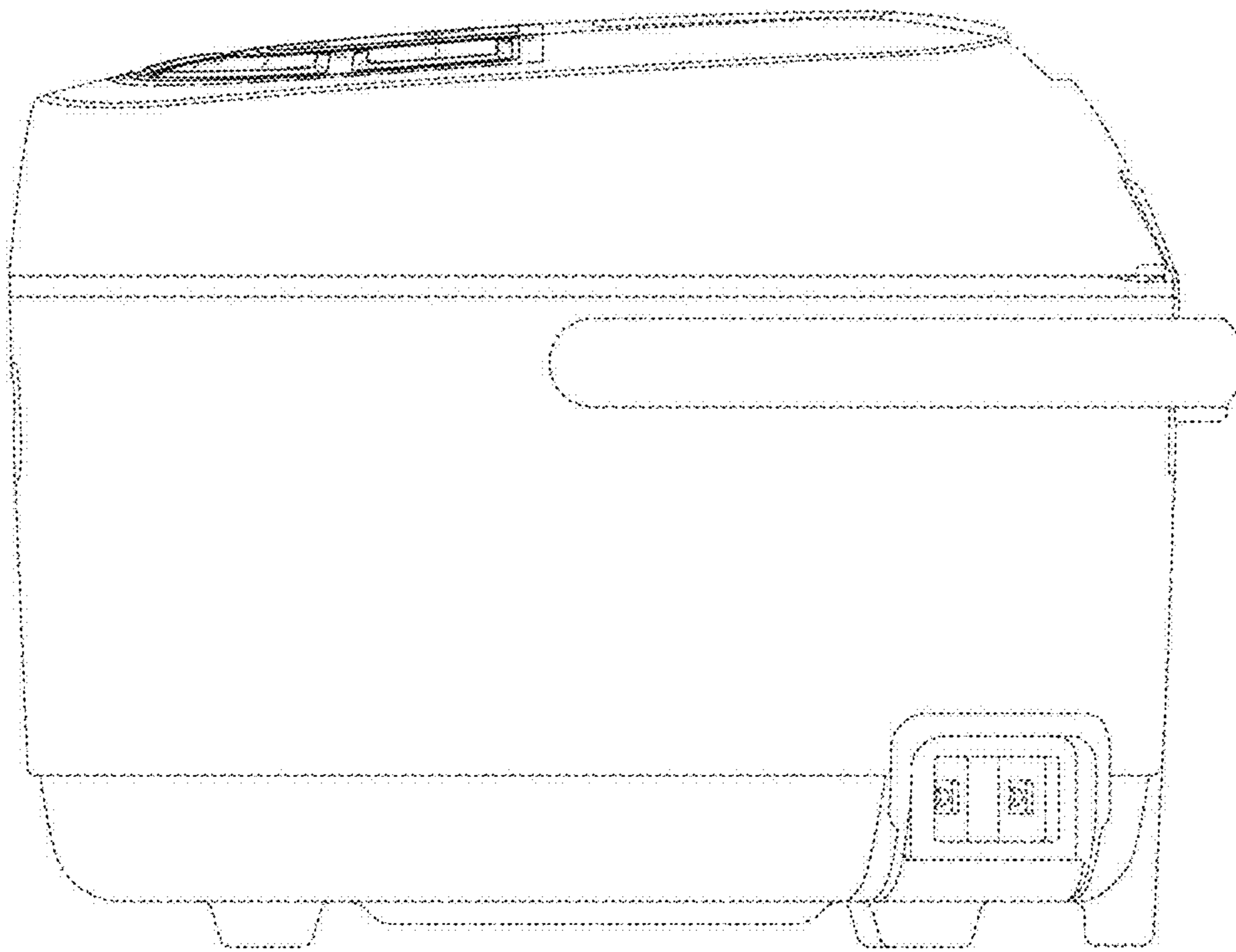


FIG. 7

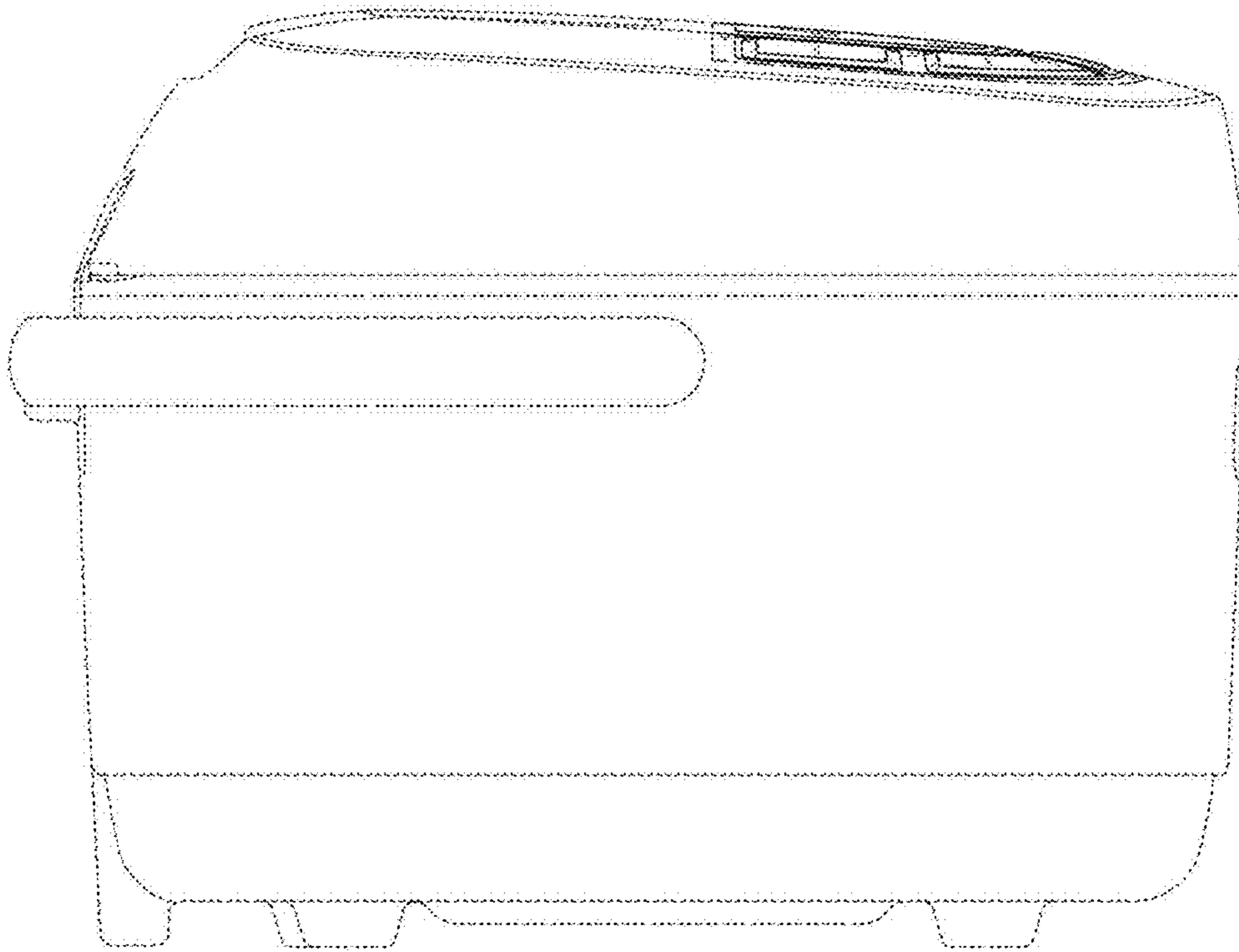


FIG. 8

