



US00D830102S

(12) **United States Design Patent** (10) **Patent No.:** **US D830,102 S**
Corlay (45) **Date of Patent:** **** Oct. 9, 2018**

(54) **ELECTRIC FRYER**
(71) Applicant: **SEB, Selongey (FR)**
(72) Inventor: **Florent Corlay, Dijon (FR)**
(73) Assignee: **SEB, Selongey (FR)**
(**) Term: **15 Years**

D374,588 S 10/1996 Federico
D386,646 S 11/1997 Wurth
D387,243 S 12/1997 Bumoux
D395,786 S 7/1998 Rossi
D433,267 S 11/2000 Werts
D455,600 S 4/2002 Barrena
D474,937 S 5/2003 Josancy
(Continued)

(21) Appl. No.: **29/610,600**
(22) Filed: **Jul. 13, 2017**

FOREIGN PATENT DOCUMENTS

CN 3675138 8/2007
CN 300749747 2/2008
(Continued)

(51) **LOC (11) Cl.** **07-02**
(52) **U.S. Cl.**
USPC **D7/354; D7/360**
(58) **Field of Classification Search**
USPC D7/323, 350.2, 354-361, 381, 402, 560
CPC A23L 1/01; A23L 1/0107; A23L 1/0114;
A47J 27/00; A47J 27/08; A47J 27/09;
A47J 27/092; A47J 36/025; A47J 36/06;
A47J 36/08; A47J 36/10; A47J 36/12;
A47J 36/165; A47J 36/18; A47J 36/20;
A47J 36/22; A47J 37/00; A47J 37/12;
A47J 37/1204; A47J 37/1209; A47J
37/1214; A47J 37/1219; A47J 37/1266;
A47J 37/1285; A47J 37/129; A47J
37/1295; G07F 17/0064; G07F 17/0078;
G07F 17/0085; H05B 6/02; H05B 6/06;
H05B 6/12

OTHER PUBLICATIONS

T-Fal Triple Basket Deep Fryer: Announced Feb. 26, 2013 [online],
site visited [Mar. 16, 2017]. Available from Internet URL:https://www.amazon.com/product-reviews/B01GG03DW4/ref=cm_cr_arpd_pagination_btm.

Primary Examiner — Ricky Pham
(74) *Attorney, Agent, or Firm* — Loeb & Loeb LLP

See application file for complete search history.

(57) **CLAIM**

The ornamental design for an electric fryer, as shown and described.

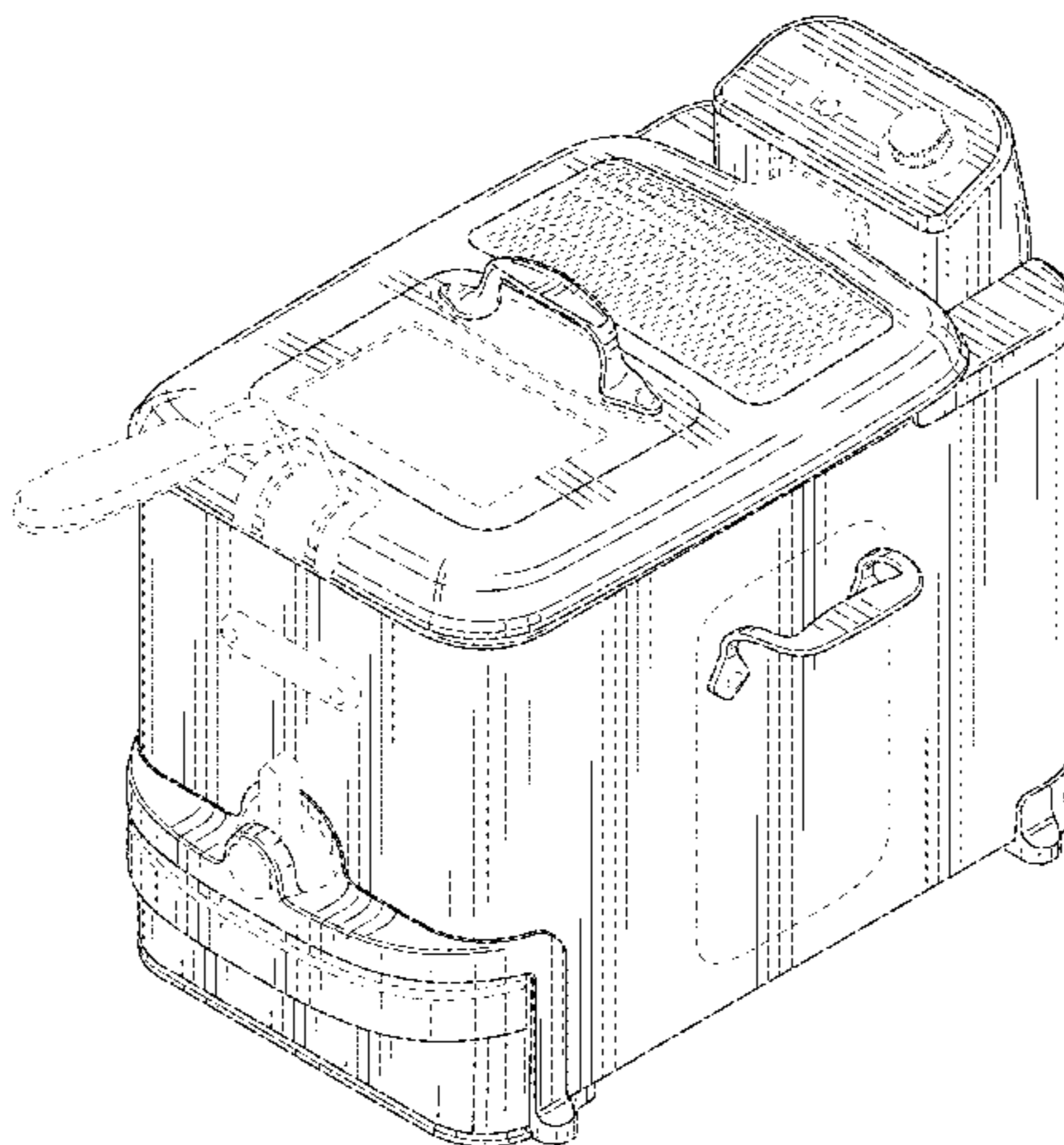
DESCRIPTION

FIG. 1 is a perspective view of an electric fryer showing my new design;
FIG. 2 is a front elevational view thereof;
FIG. 3 is a back elevational view thereof;
FIG. 4 is a right side elevational view thereof;
FIG. 5 is a left side elevational view thereof;
FIG. 6 is a top view thereof; and,
FIG. 7 is a bottom view thereof.
The broken lines shown in the drawings are for the purpose of illustrating portions of the electric fryer that form no part of the claimed design.

(56) **References Cited**
U.S. PATENT DOCUMENTS

D169,876 S 6/1953 Wagner
D272,034 S 1/1984 Beugnot
D279,854 S 7/1985 Miller
D305,971 S * 2/1990 Janssens D7/360
D308,000 S * 5/1990 Slany D7/354
D316,650 S * 5/1991 Slany D7/354
D369,270 S 4/1996 Payen
D369,505 S 5/1996 Philippe
5,520,094 A 5/1996 Lu

1 Claim, 7 Drawing Sheets



(56)

References Cited

U.S. PATENT DOCUMENTS

D475,570	S	6/2003	Josancy	
D489,935	S	5/2004	Choi	
D522,799	S *	6/2006	Kassenaar	D7/350.2
D528,853	S	9/2006	Lloyd	
D539,599	S	4/2007	De'Longhi	
D542,095	S *	5/2007	Orent	D7/560
D582,719	S *	12/2008	Kaposi	D7/378
D588,860	S	3/2009	Tienor et al.	
D604,093	S *	11/2009	Moussu	D7/360
D606,800	S *	12/2009	Bodum	D7/354
D655,971	S	3/2012	Reiner	
D677,112	S	3/2013	Piret	
D677,527	S *	3/2013	Brega	D7/402
D680,800	S	4/2013	Berge	
D680,801	S	4/2013	Seymour	
D680,802	S	4/2013	Seymour	
D700,471	S	3/2014	Jozancy	
D709,731	S	7/2014	Jozancy	
D710,149	S	8/2014	Josancy	
D715,087	S	10/2014	Nguyen	
D715,089	S	10/2014	Jozancy	
D716,600	S	11/2014	Dutruel	
D747,133	S	1/2016	Dutruel	
D750,418	S	3/2016	Allende	
D760,017	S	6/2016	Berge	
D796,894	S *	9/2017	Piret	D7/354
2004/0154474	A1	8/2004	Chan	
2009/0205511	A1	8/2009	Tienor	

FOREIGN PATENT DOCUMENTS

CN	300758661	3/2008
CN	301032868	10/2009

* cited by examiner

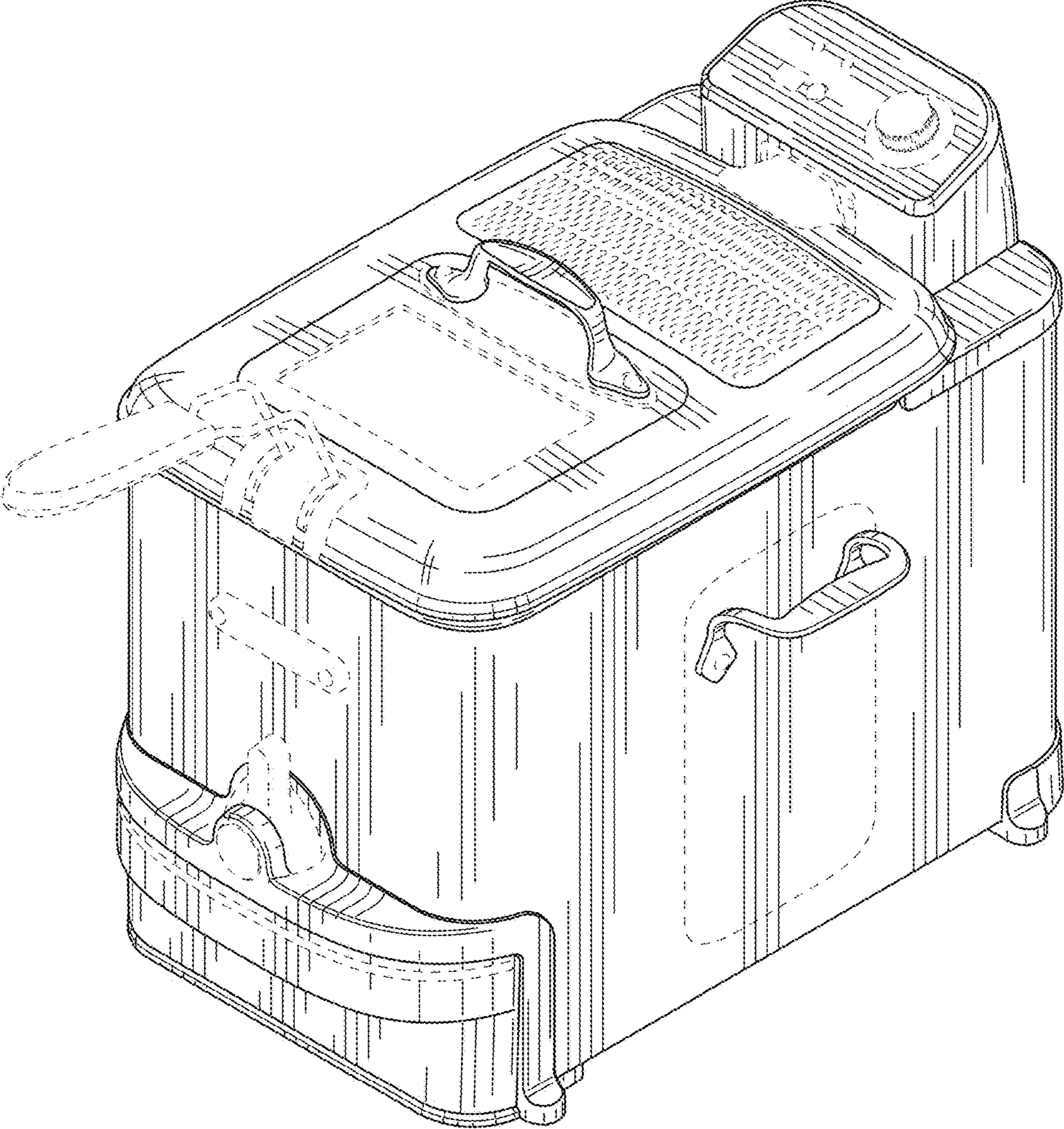


FIG. 1

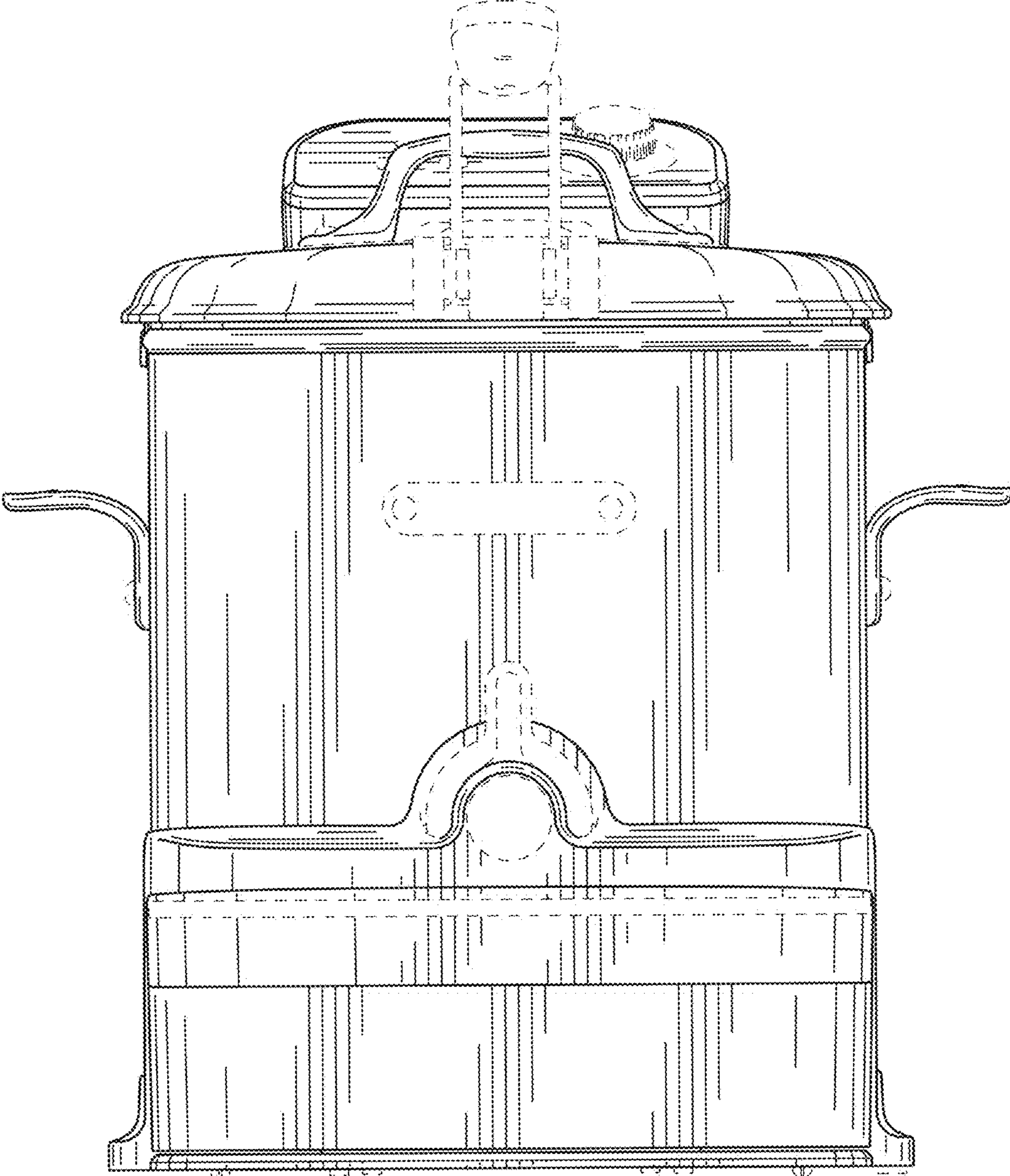


FIG. 2

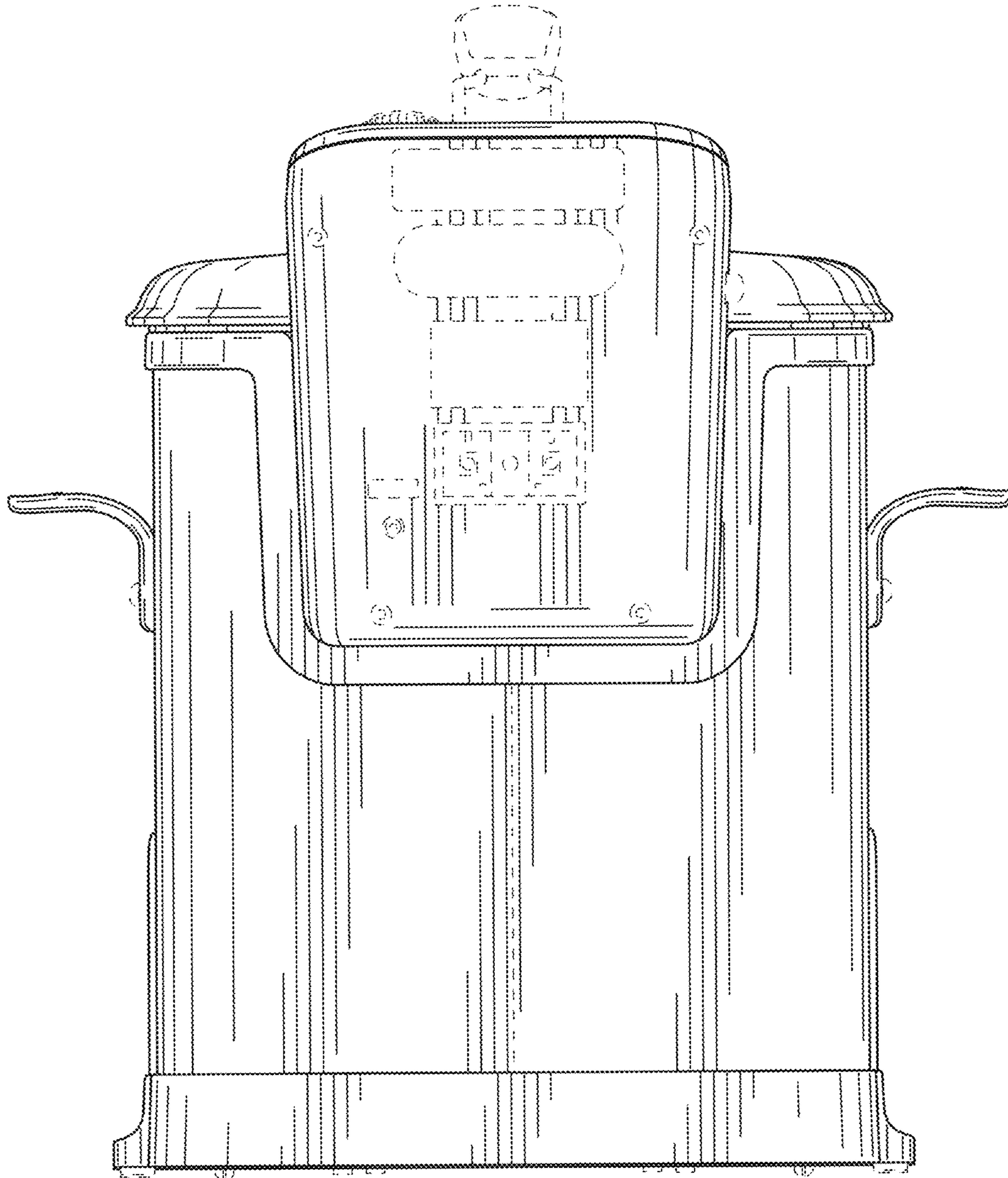


FIG. 3

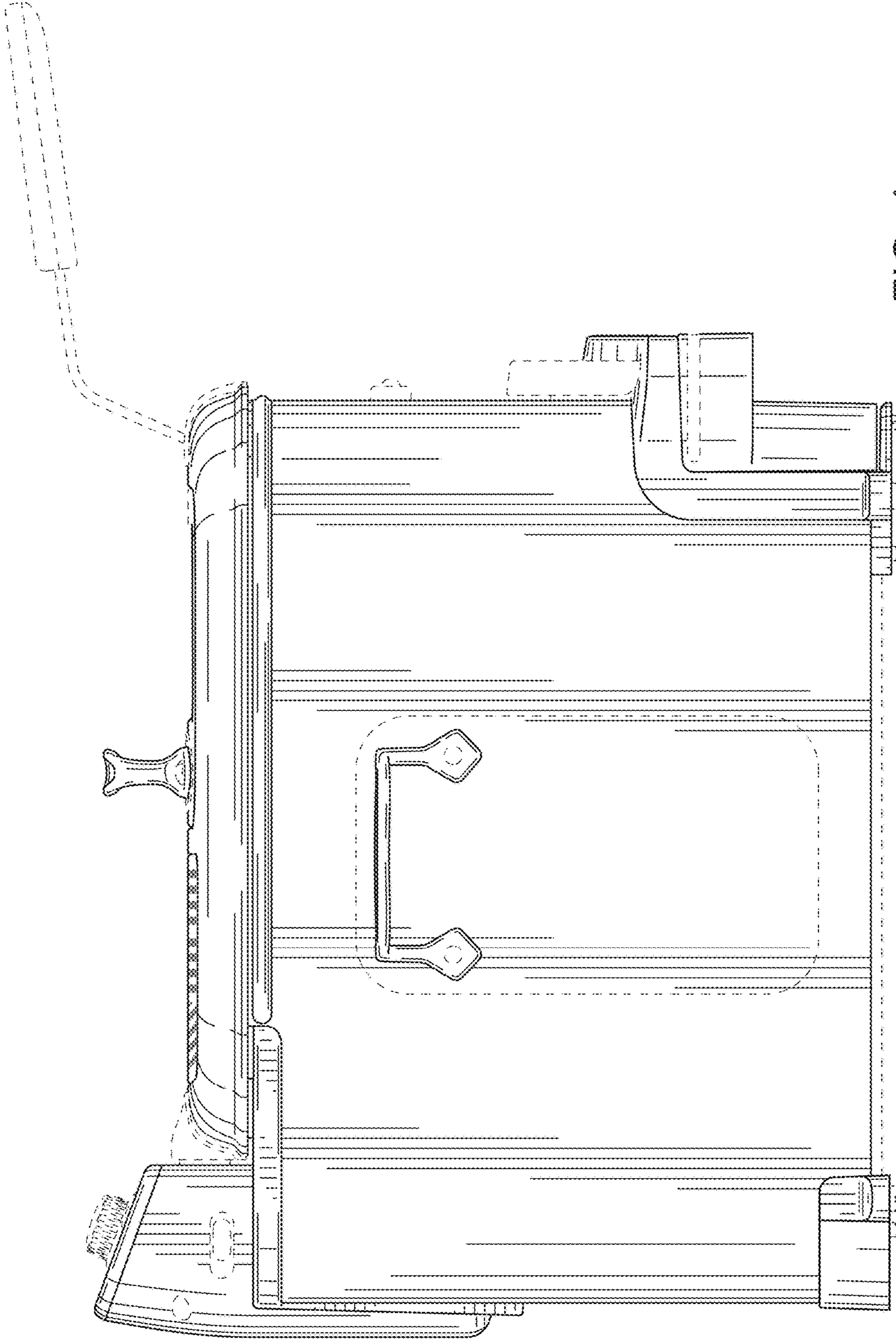


FIG. 4

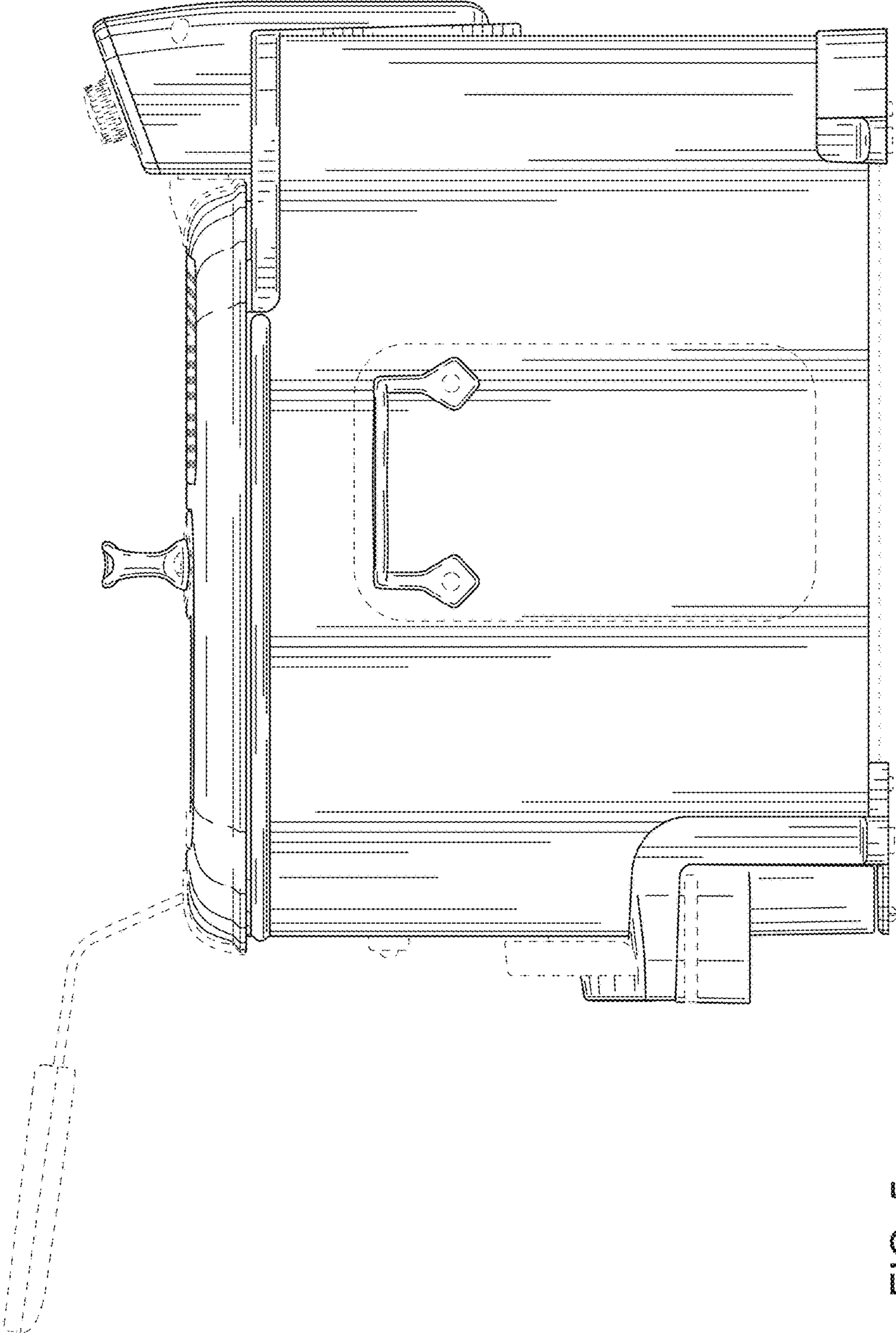


FIG. 5

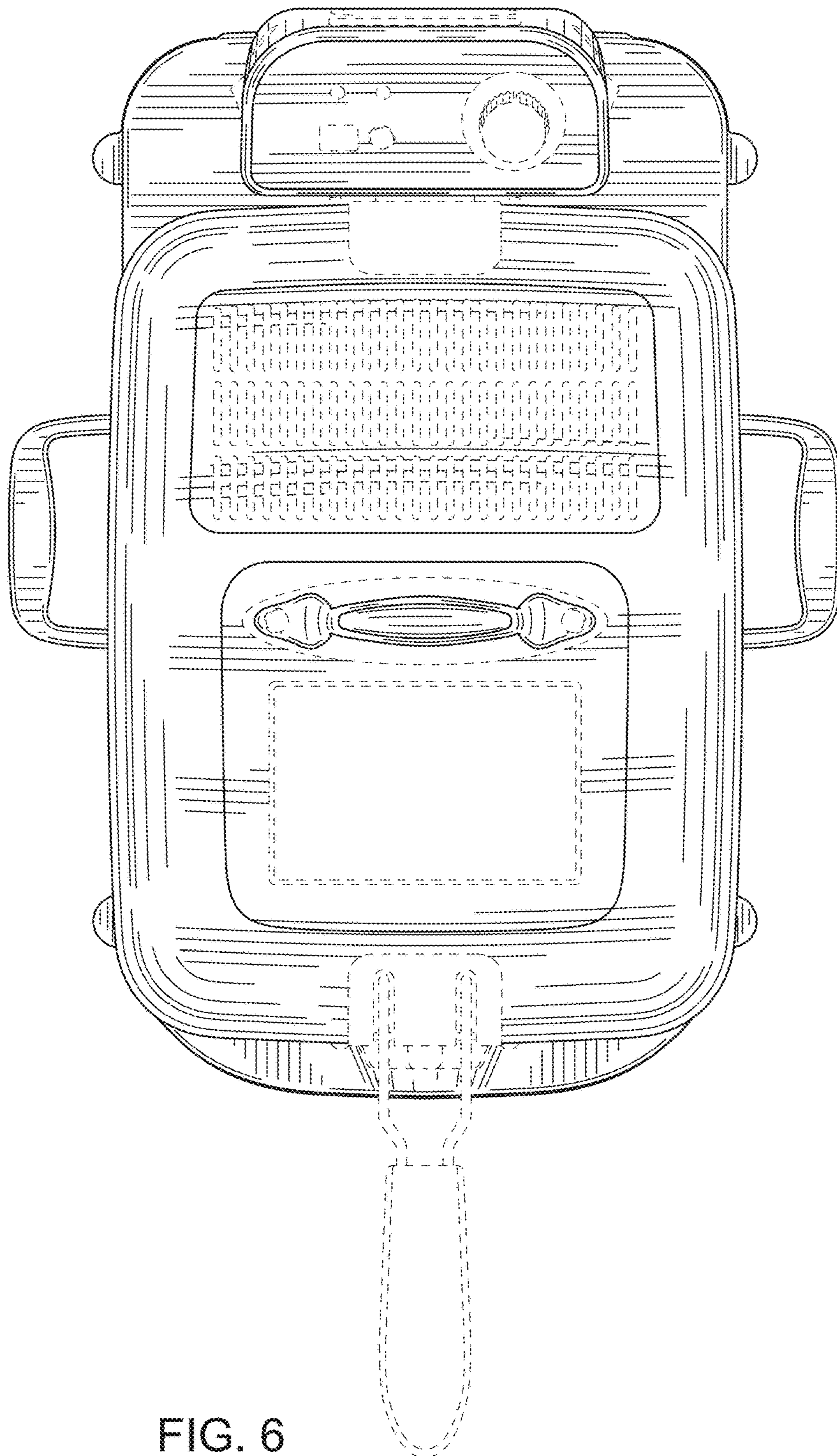


FIG. 6

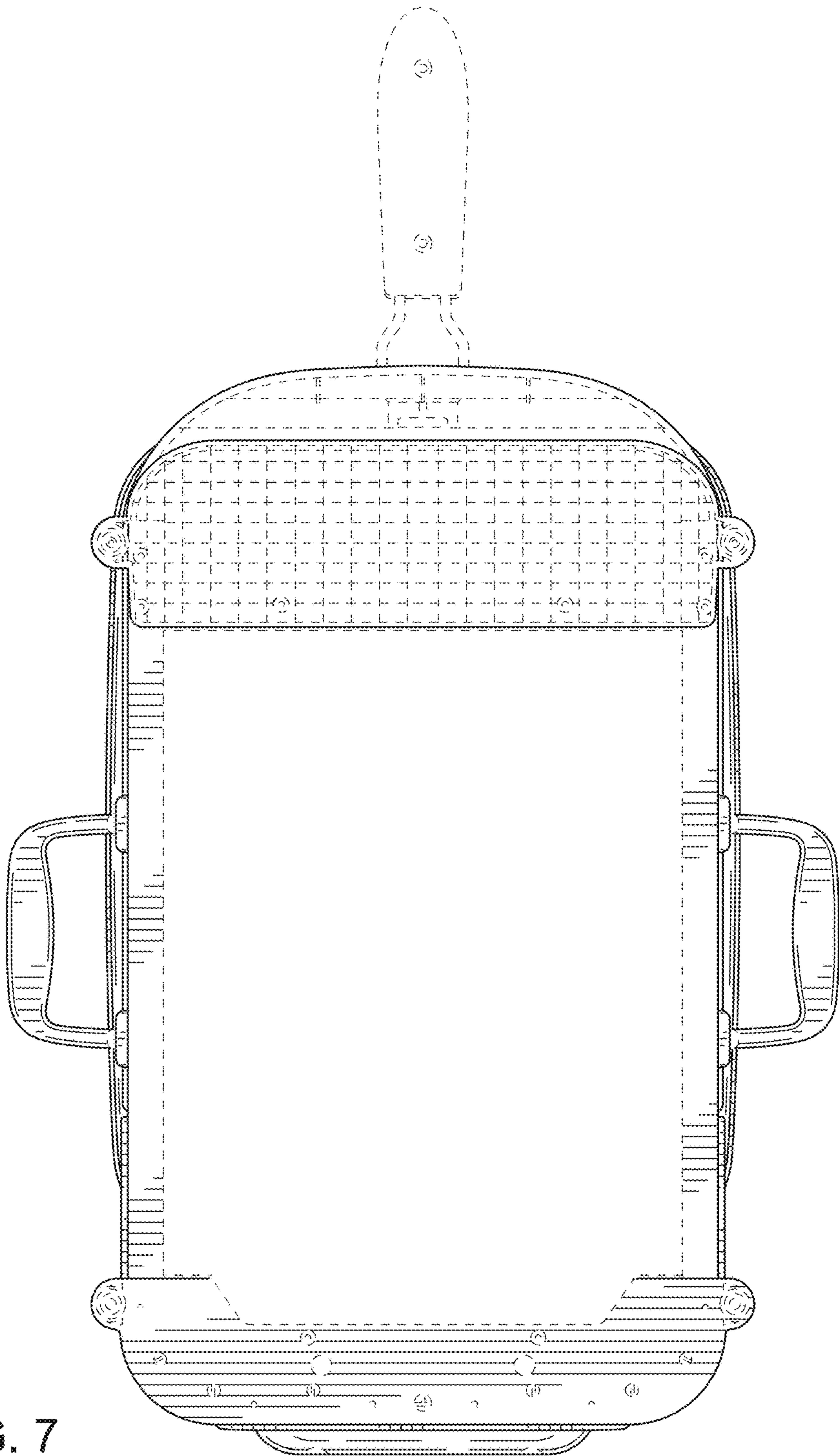


FIG. 7