



US00D830100S

(12) **United States Design Patent** (10) **Patent No.:** **US D830,100 S**
Mirchandani et al. (45) **Date of Patent:** **** Oct. 9, 2018**

(54) **COOKING APPARATUS**

- (71) Applicant: **Tristar Products, Inc.**, Fairfield, NJ (US)
- (72) Inventors: **Keith Mirchandani**, Fairfield, NJ (US);
Paul McGrath, Flanders, NJ (US);
James Mitrik, Long Pond, PA (US);
Alejandro G. Lozano, Guttenberg, NJ (US)
- (73) Assignee: **TRISTAR PRODUCTS, INC.**, Fairfield, NJ (US)
- (**) Term: **15 Years**
- (21) Appl. No.: **29/596,499**
- (22) Filed: **Mar. 8, 2017**

Related U.S. Application Data

- (63) Continuation-in-part of application No. 29/596,037, filed on Mar. 3, 2017, and a continuation-in-part of application No. 29/596,038, filed on Mar. 3, 2017.
- (51) **LOC (11) Cl.** **07-02**
- (52) **U.S. Cl.**
USPC **D7/354; D7/409**
- (58) **Field of Classification Search**
USPC D7/323, 354-361, 543, 545, 549, 550.1, D7/553.1-553.8, 554.1-554.4, 555, 584, D7/586, 667; D9/430-433, 454-456, D9/737, 756-762; D26/22
CPC A01K 1/0114; A21B 1/02; A21B 3/00; A21B 3/13; A21B 3/15; A21B 3/134; A21B 3/135; A21B 3/137; A21B 5/00; A21B 5/02; A47G 23/03; A47J 27/04; A47J 36/022; A47J 36/025; A47J 36/027; A47J 36/04; A47J 37/00; A47J 37/04; A47J 37/0786; A47J 43/20; B22C 9/06; B28B 7/168; B65D 1/22; B65D 1/24; B65D 1/34; B65D 1/36; B65D 81/343; B65D 85/36

See application file for complete search history.

(56) **References Cited**

U.S. PATENT DOCUMENTS

559,788 A *	5/1896	Perrottet	A21B 3/137 100/910
572,509 A *	12/1896	Wilson	B28B 7/168 249/144
854,592 A *	5/1907	Nelson	A21B 3/137 249/170
1,154,972 A *	9/1915	Carlson	B22C 9/06 24/16 R
1,518,973 A *	12/1924	Edwards	A21B 3/13 249/170

(Continued)

Primary Examiner — Ricky Pham

(74) *Attorney, Agent, or Firm* — Adler Pollock & Sheehan P.C.; Daniel J. Holmander, Esq.

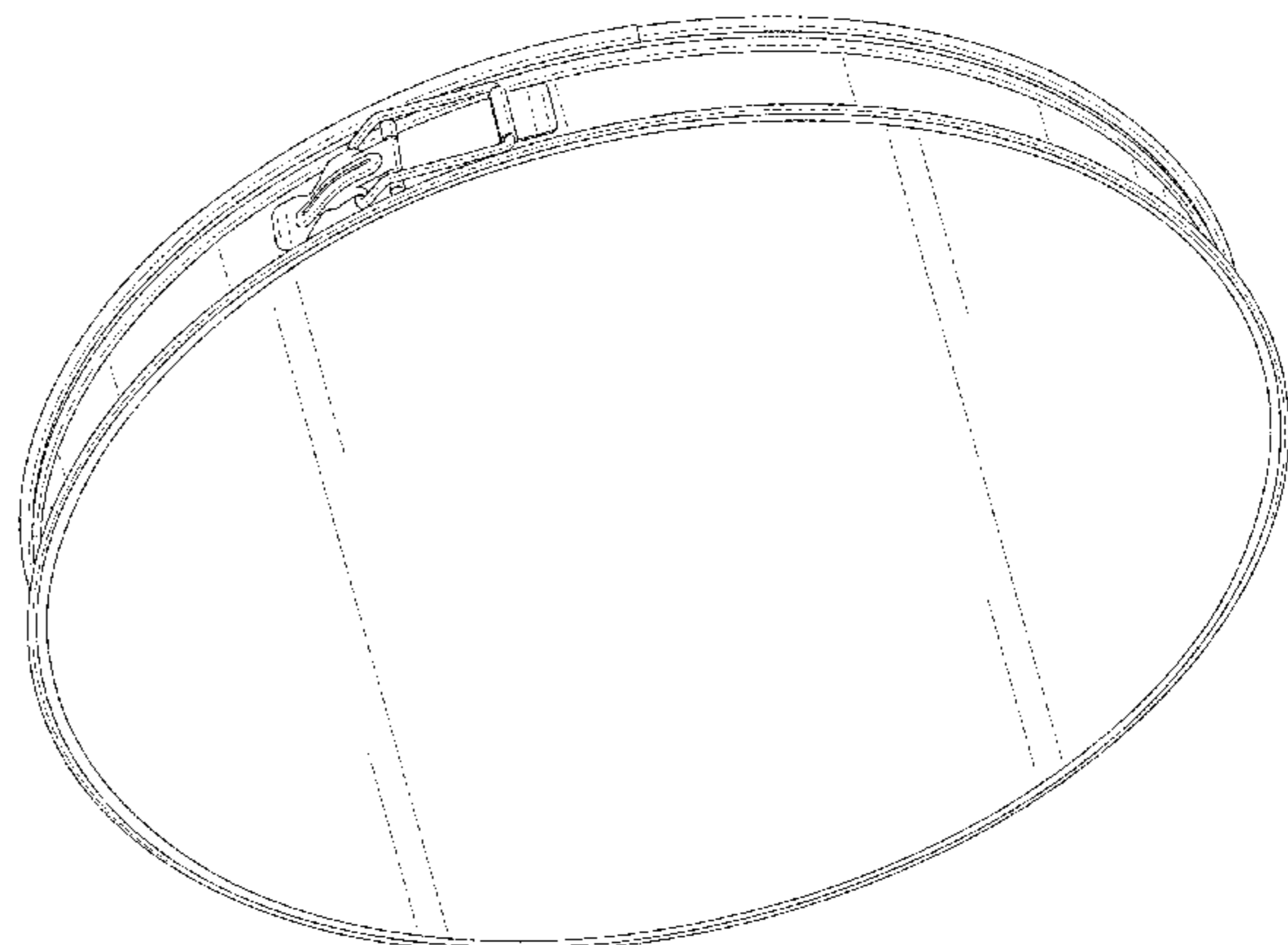
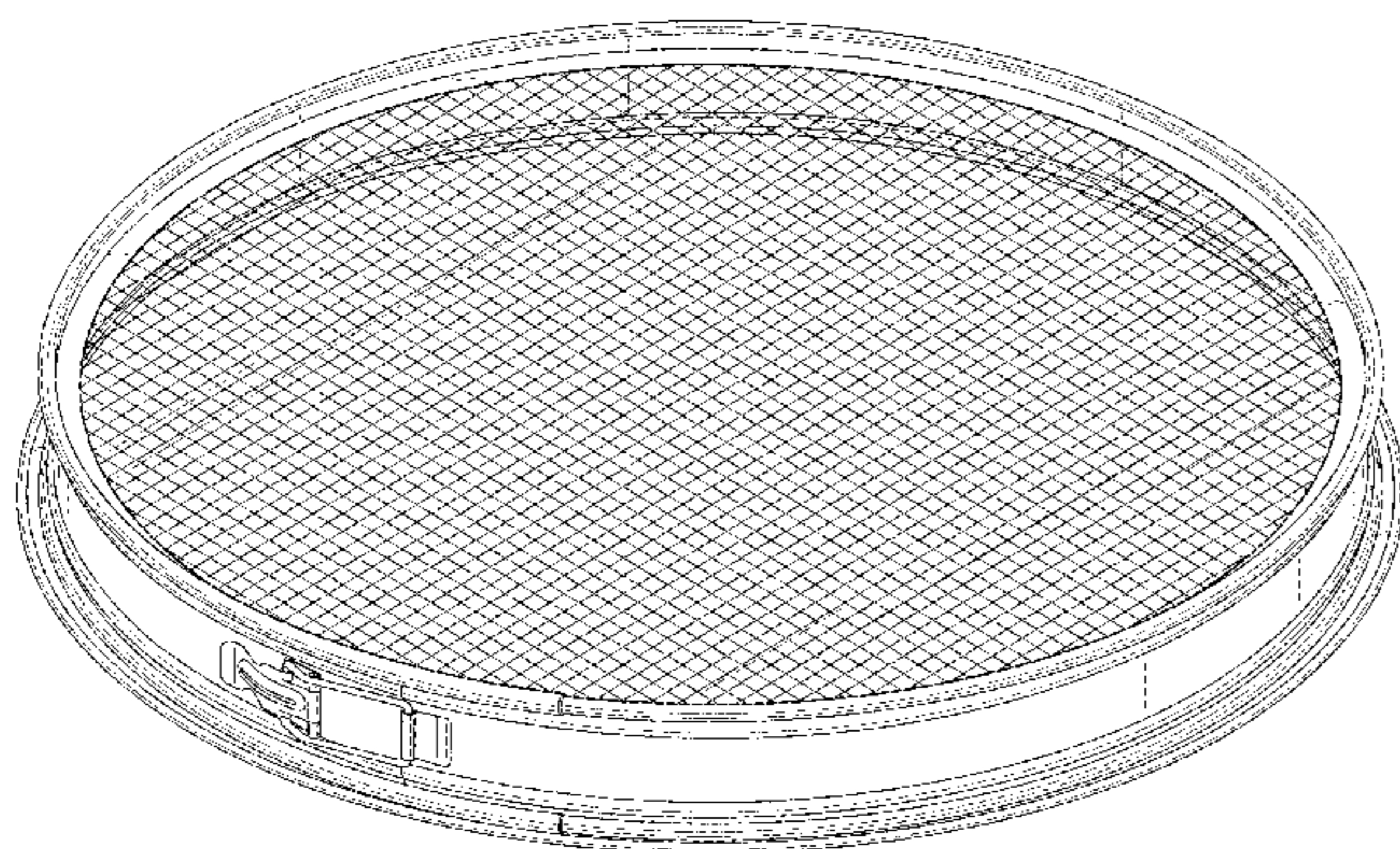
(57) **CLAIM**

The ornamental design for a cooking apparatus, as shown and described.

DESCRIPTION

FIG. 1 is a front perspective view of a cooking apparatus in accordance with the subject disclosure.
 FIG. 2 is a top view of the cooking apparatus of FIG. 1.
 FIG. 3 is bottom view of the cooking apparatus of FIG. 1.
 FIG. 4 is a front view of the cooking apparatus of FIG. 1.
 FIG. 5 is a rear view of the cooking apparatus of FIG. 1.
 FIG. 6 is a top perspective view of the cooking apparatus of FIG. 1.
 FIG. 7 is a bottom perspective view of the cooking apparatus of FIG. 1.
 FIG. 8 is a left side view of the cooking apparatus of FIG. 1; and,
 FIG. 9 is a right side view of the cooking apparatus of FIG. 1.

1 Claim, 9 Drawing Sheets



US D830,100 S

Page 2

(56)

References Cited

U.S. PATENT DOCUMENTS

1,567,234	A *	12/1925	Brucker	A21B 3/13 206/804
2,259,854	A *	10/1941	Langel	A47J 43/20 249/135
3,268,198	A *	8/1966	Swett	A47G 23/03 248/346.11
4,197,832	A *	4/1980	Thomas	A21B 3/13 126/390.1
4,226,255	A *	10/1980	Tarrer	A47J 37/0786 126/25 R
4,644,858	A *	2/1987	Liotto	A21B 3/137 219/725
4,793,324	A *	12/1988	Caferro	A21B 1/02 126/369
5,582,389	A *	12/1996	Greene	A47J 36/022 229/235
5,678,475	A *	10/1997	Villar Otero	A21B 3/137 249/DIG. 1
5,768,980	A *	6/1998	Degen	A21B 3/137 99/353
D420,864	S *	2/2000	Kenney	D7/667
7,114,459	B2 *	10/2006	Schmidt	A01K 1/0114 119/161
D622,539	S *	8/2010	Simon	D7/354
9,107,421	B2 *	8/2015	Campbell	A21B 3/135
9,220,277	B1 *	12/2015	Allen	A47J 36/04
D777,034	S *	1/2017	Sill	D9/454
9,532,676	B1 *	1/2017	Winfield	A47J 27/04
D790,088	S *	6/2017	Yeffet	D26/22
2008/0111050	A1 *	5/2008	Hamblin	A21B 3/137 249/61
2011/0088566	A1 *	4/2011	Doxie	A21B 3/137 99/426
2012/0024865	A1 *	2/2012	Riedl	A21B 3/137 220/573.1

* cited by examiner

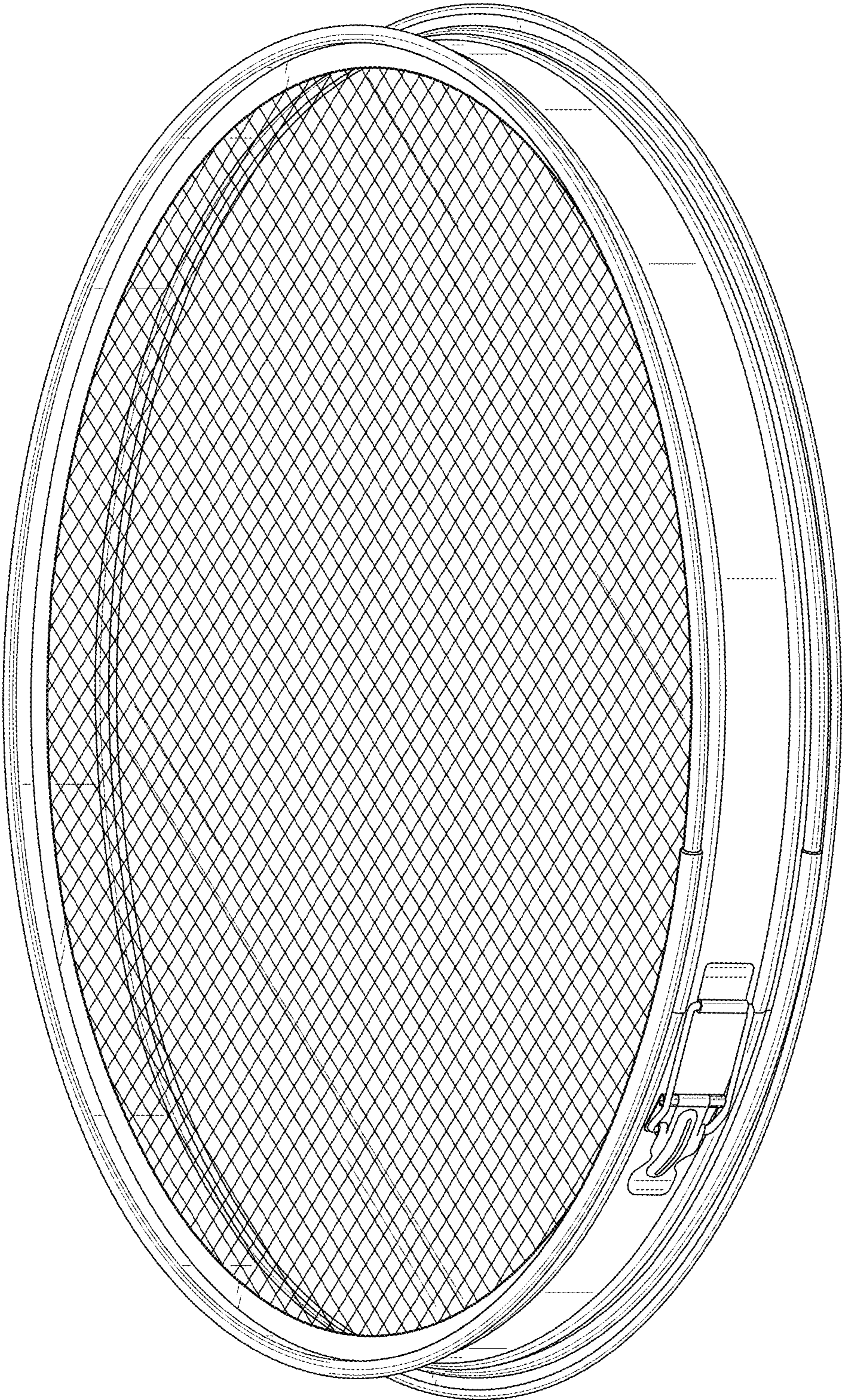


FIG. 1

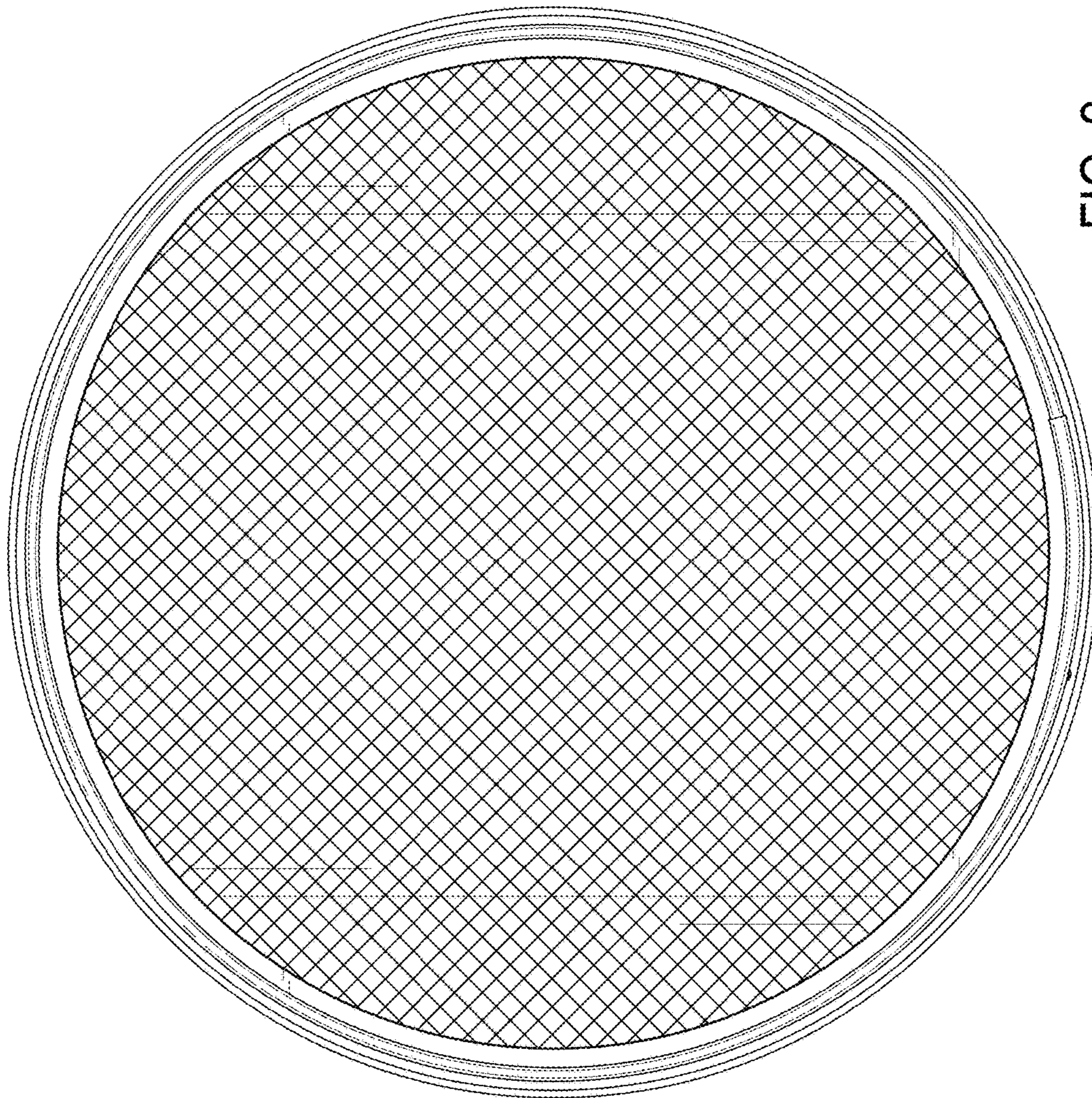


FIG. 2

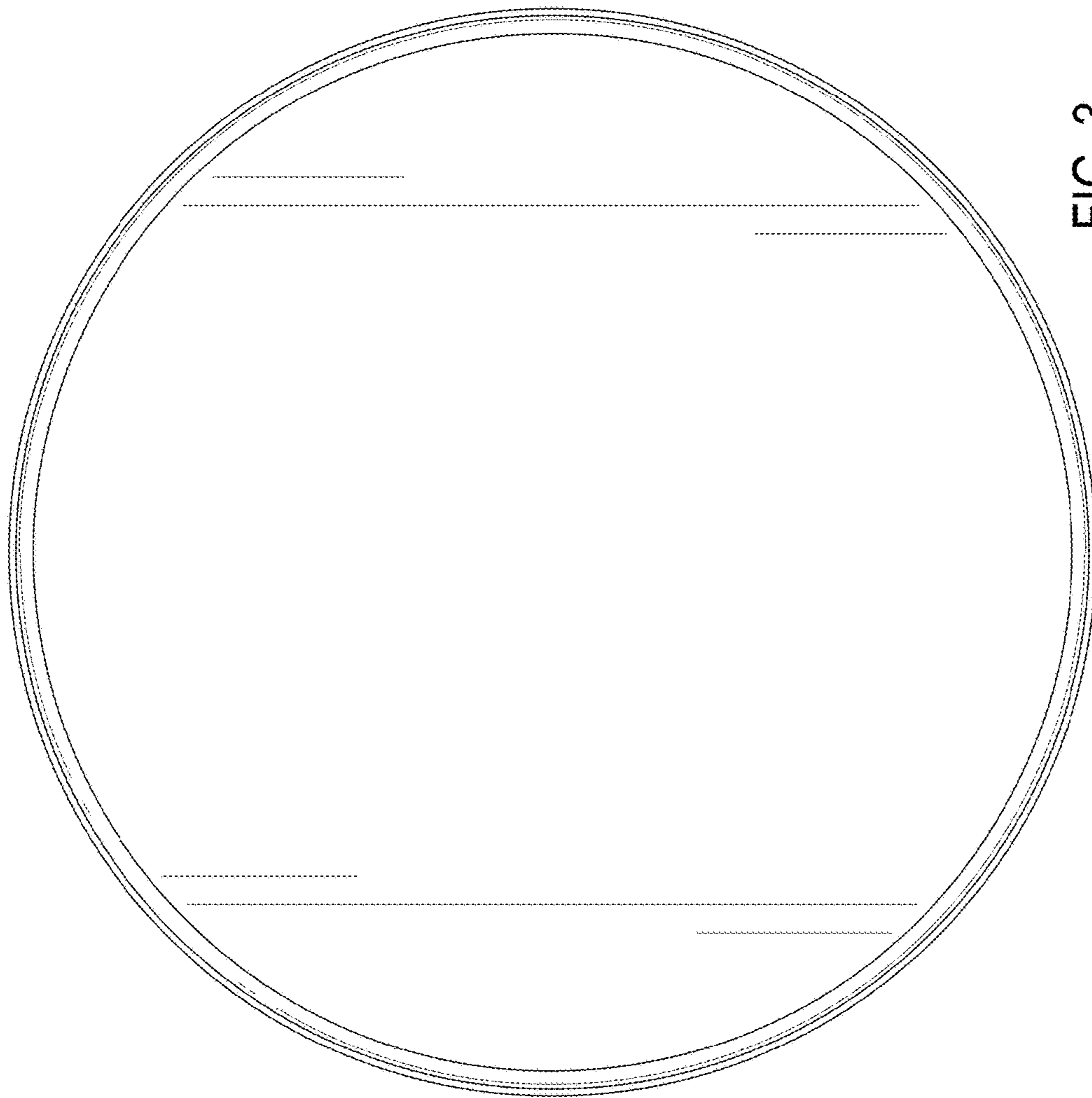


FIG. 3

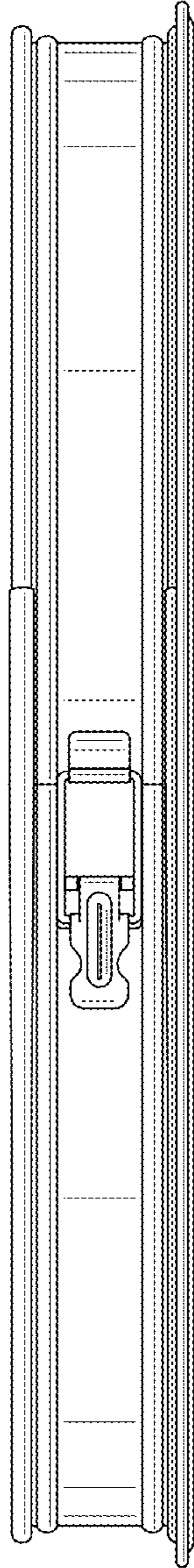


FIG. 4

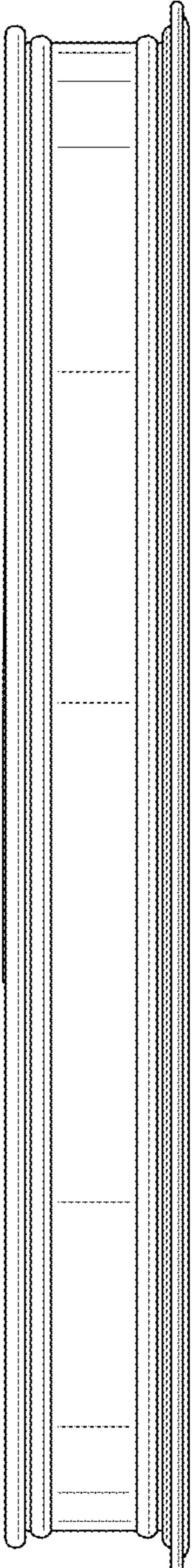


FIG. 5

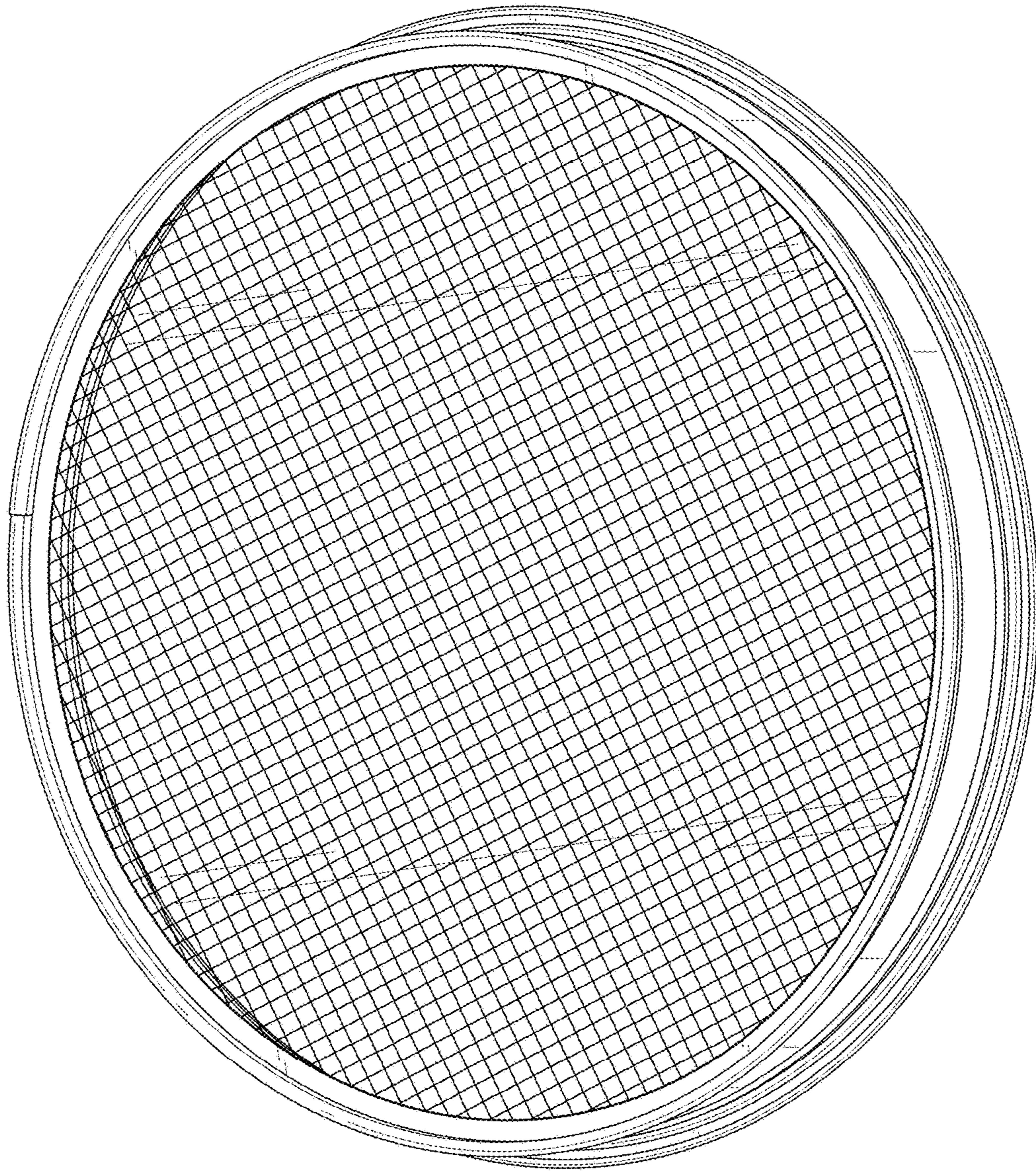


FIG. 6

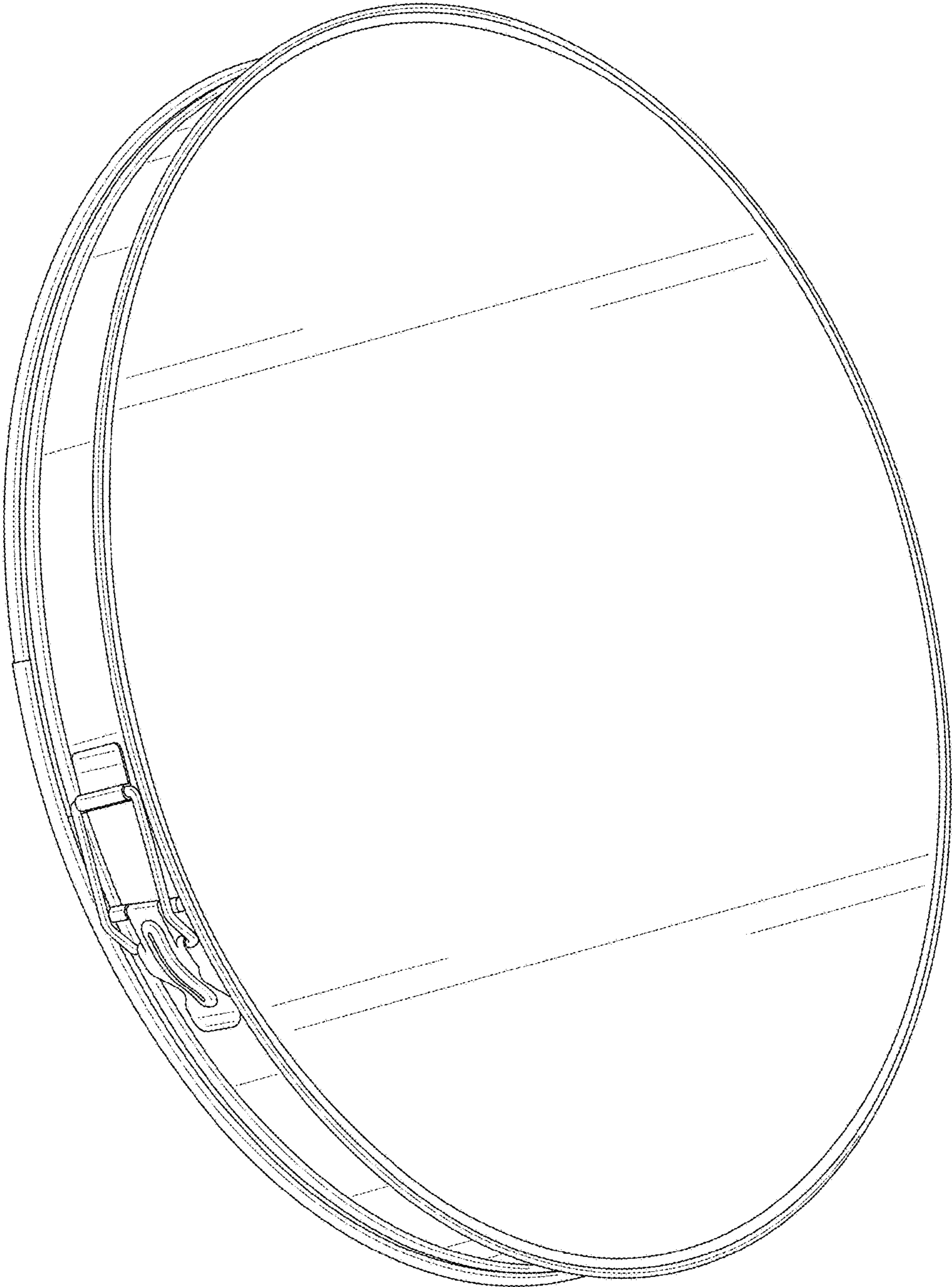


FIG. 7

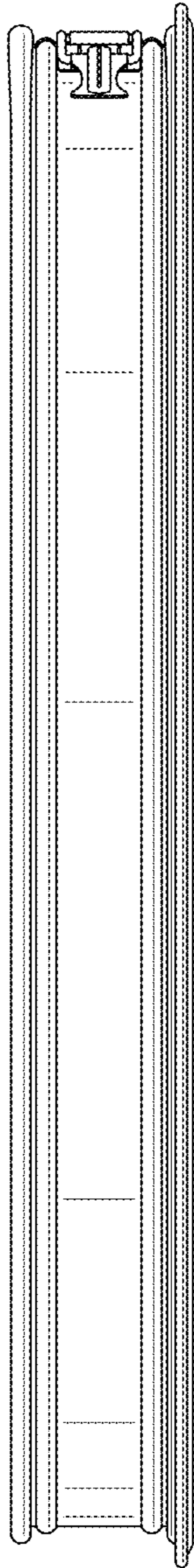


FIG. 8

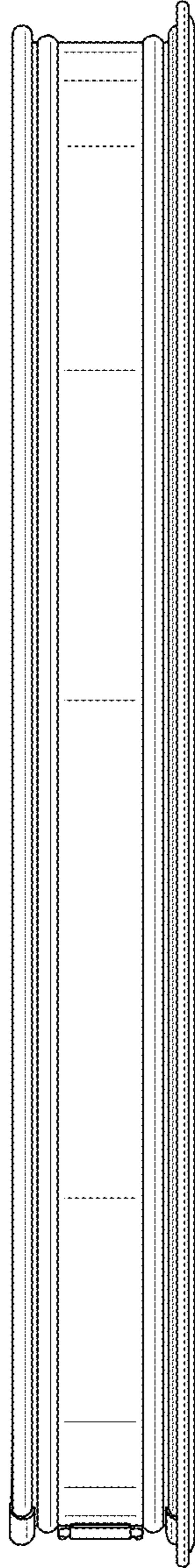


FIG. 9