

US00D830099S

(12) **United States Design Patent**  
**Mirchandani et al.**

(10) **Patent No.:** **US D830,099 S**  
(45) **Date of Patent:** **\*\* \*Oct. 9, 2018**

(54) **COOKING APPARATUS**

1/34; B65D 1/36; B65D 77/2056; B65D  
81/343; B65D 85/36

See application file for complete search history.

(71) Applicant: **Tristar Products, Inc.**, Fairfield, NJ  
(US)

(56) **References Cited**

(72) Inventors: **Keith Mirchandani**, Fairfield, NJ (US);  
**Paul McGrath**, Flanders, NJ (US);  
**James Mitrik**, Long Pond, PA (US);  
**Alejandro G. Lozano**, Guttenberg, NJ  
(US)

U.S. PATENT DOCUMENTS

1,671,450 A 5/1928 Ross  
3,765,595 A \* 10/1973 Bernhardt ..... B65D 77/2056  
206/515

4,014,451 A 3/1977 Cannon et al.  
(Continued)

(73) Assignee: **TRISTAR PRODUCTS, INC.**,  
Fairfield, NJ (US)

FOREIGN PATENT DOCUMENTS

CA 99505 A 6/1906  
CN 203776009 U 8/2014

(Continued)

(\* ) Notice: This patent is subject to a terminal dis-  
claimer.

*Primary Examiner* — Ricky Pham

(74) *Attorney, Agent, or Firm* — Adler Pollock &  
Sheehan P.C.; Daniel J. Holmader, Esq.

(\*\*) Term: **15 Years**

(57) **CLAIM**

(21) Appl. No.: **29/595,966**

The ornamental design for a cooking apparatus, as shown  
and described.

(22) Filed: **Mar. 3, 2017**

**DESCRIPTION**

(51) **LOC (11) Cl.** ..... **07-02**

The file of this patent contains at least one drawing executed  
in color. Copies of this patent with color drawings will be  
provided by the Office upon request and payment of the  
necessary fee.

(52) **U.S. Cl.**

USPC ..... **D7/354**; D7/359

FIG. 1 is a front perspective view of a cooking apparatus in  
accordance with the subject disclosure.

(58) **Field of Classification Search**

USPC ..... D3/304; D7/323, 354–361, 391, 543,  
D7/545, 549, 550.1, 553.1–553.8,  
D7/554.1–554.4, 555, 584, 586, 602, 629;  
D9/425, 430–433, 455–456, 730, 737,  
D9/756–762

FIG. 2 is a right side view of the cooking apparatus of FIG.  
1.

FIG. 3 is a left side view of the cooking apparatus of FIG.  
1.

CPC .... A21B 3/00; A21B 3/13; A21B 3/15; A21B  
3/134; A21B 5/00; A21B 5/02; A47J  
36/022; A47J 36/025; A47J 36/027; A47J  
37/00; A47J 37/04; A47J 45/062; B29C  
45/14; B65D 1/22; B65D 1/24; B65D

FIG. 4 is a front view of the cooking apparatus of FIG. 1.

FIG. 5 is a rear view of the cooking apparatus of FIG. 1.

FIG. 6 is a top view of the cooking apparatus of FIG. 1.

FIG. 7 is a bottom view of the cooking apparatus of FIG. 1.

FIG. 8 is a top perspective view of the cooking apparatus of  
FIG. 1; and,

(Continued)

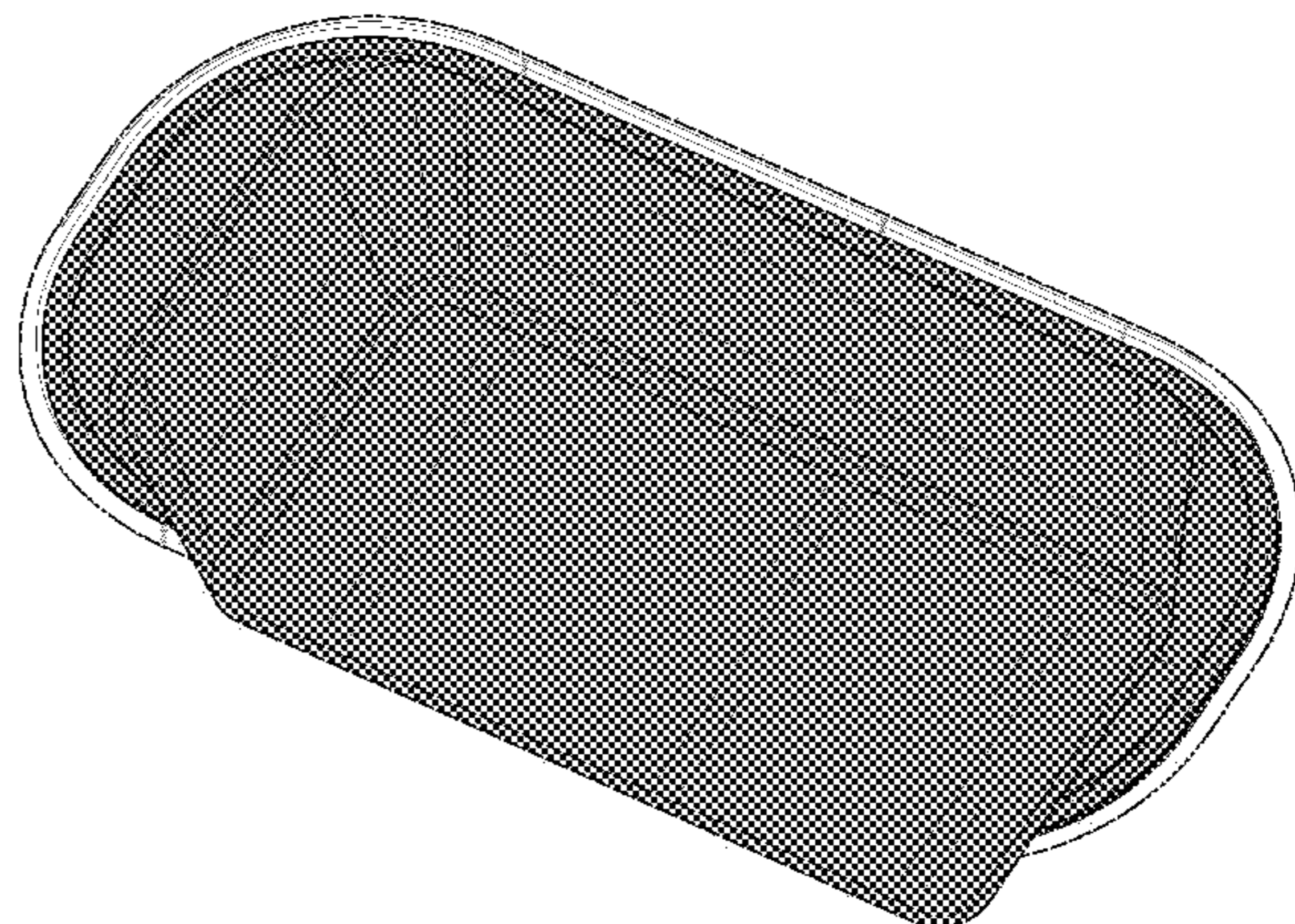
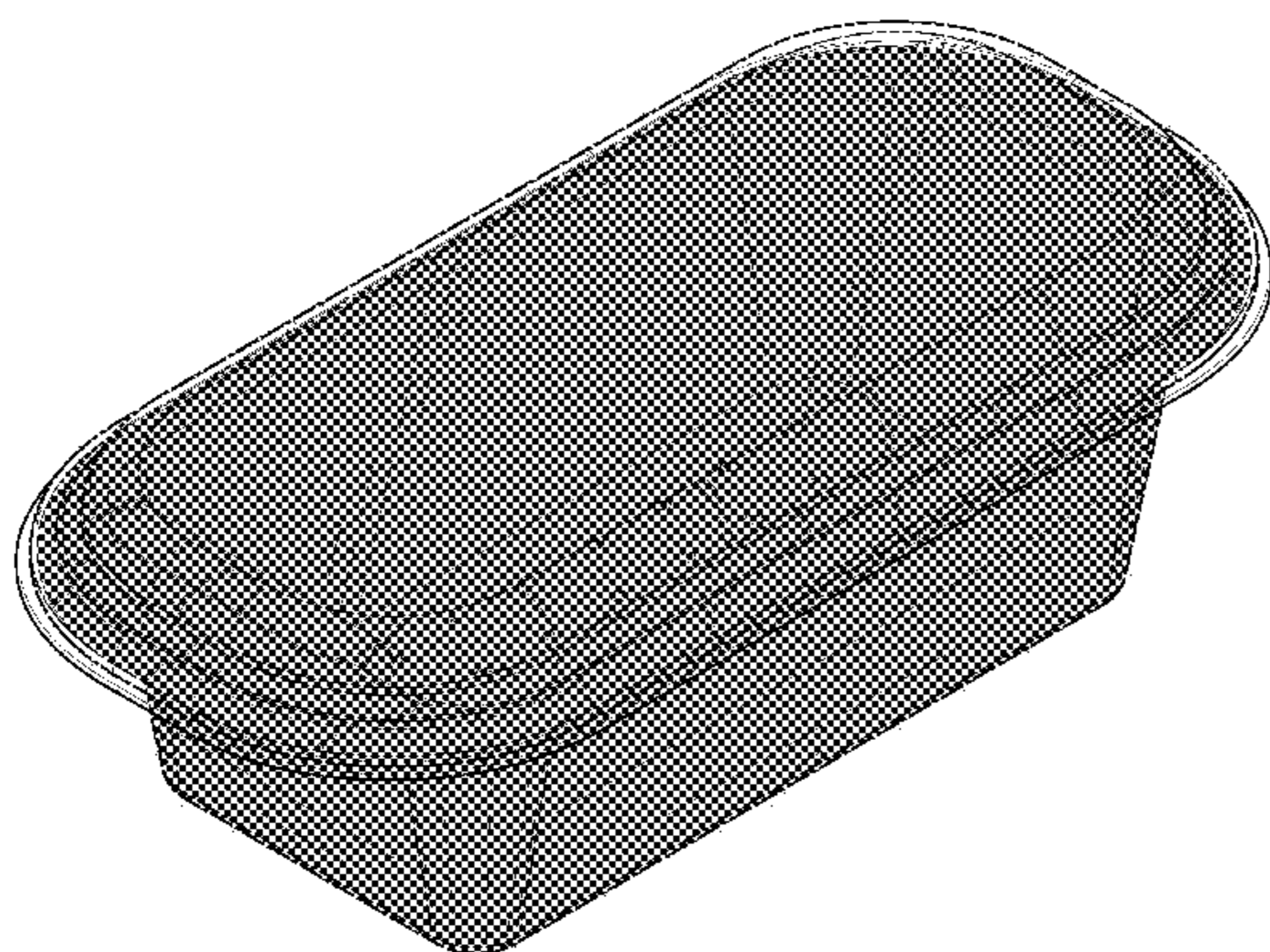


FIG. 9 is a bottom perspective view of the cooking apparatus of FIG. 1.

**1 Claim, 9 Drawing Sheets  
(9 of 9 Drawing Sheet(s) Filed in Color)**

(56) **References Cited**

U.S. PATENT DOCUMENTS

4,106,486	A	8/1978	Lee	
4,195,747	A	4/1980	Hare	
4,865,858	A	9/1989	Petcavich	
D384,555	S	10/1997	Bradley	
5,800,853	A	9/1998	Wang	
D437,180	S	2/2001	Emrich	
D439,159	S *	3/2001	Chen	D9/425
D445,633	S	7/2001	Bradley	
D466,758	S	12/2002	Bradley	
6,546,850	B1	4/2003	Akiyama-Warren	
D528,376	S	9/2006	Munson et al.	
D559,621	S	1/2008	Raichlen et al.	
D569,169	S	5/2008	Munson	
D583,615	S *	12/2008	Simon	D7/354
D584,112	S	1/2009	Ehrenhaus et al.	
D588,859	S	3/2009	Simon et al.	
D606,812	S *	12/2009	Wu	D7/629
D615,825	S	5/2010	Curtin	

D641,217	S	7/2011	Chen et al.	
D644,884	S *	9/2011	Samartgis	D7/602
D649,410	S *	11/2011	Segal	D7/629
D664,427	S *	7/2012	Chen	D9/425
D665,674	S *	8/2012	Wu	D7/629
D684,733	S	6/2013	Altoon	
D713,146	S *	9/2014	Ghiorghie	D3/304
D724,903	S *	3/2015	Chen	D7/629
D755,579	S *	5/2016	Wu	D7/629
D777,535	S	1/2017	Zemel et al.	
D801,104	S *	10/2017	Mirchandani	D7/354
2005/0098046	A1	5/2005	Morgan	
2009/0218356	A1 *	9/2009	Colacitti	B29C 45/14 220/574
2010/0263552	A1	10/2010	Hendrickson	
2015/0069215	A1	3/2015	Kohnen	
2015/0250189	A1	9/2015	Marin Moro	

FOREIGN PATENT DOCUMENTS

GB	802872	A	10/1958
GB	835370	A	5/1960
GB	2073582	A	10/1981
GB	2075824	A	11/1981
GB	2451496	A	2/2009
JP	2009508512	A	3/2009
WO	WO-890210	A1	1/1989
WO	WO-9533360	A1	12/1995
WO	WO-2006062527	A1	6/2006

\* cited by examiner

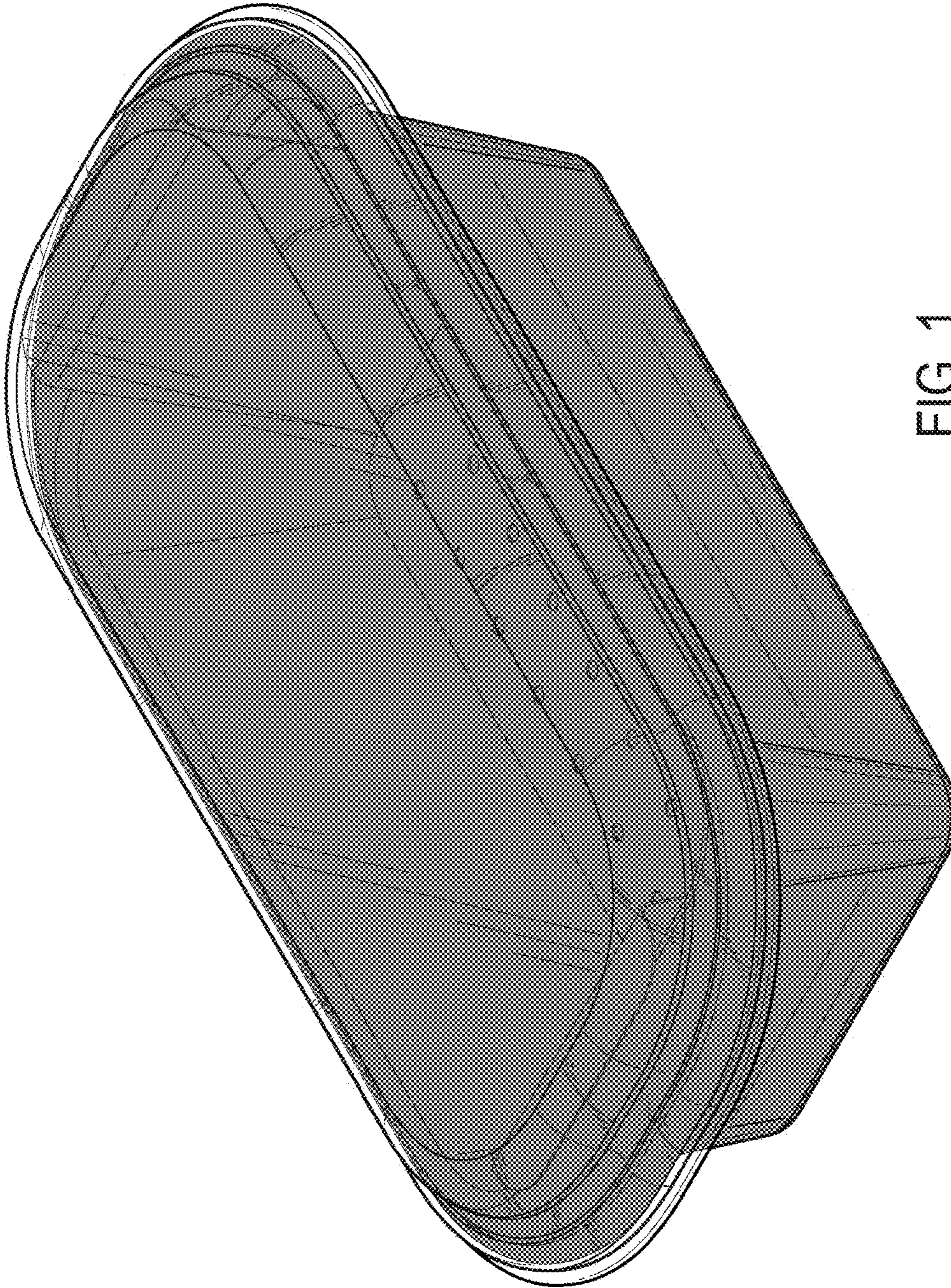


FIG. 1

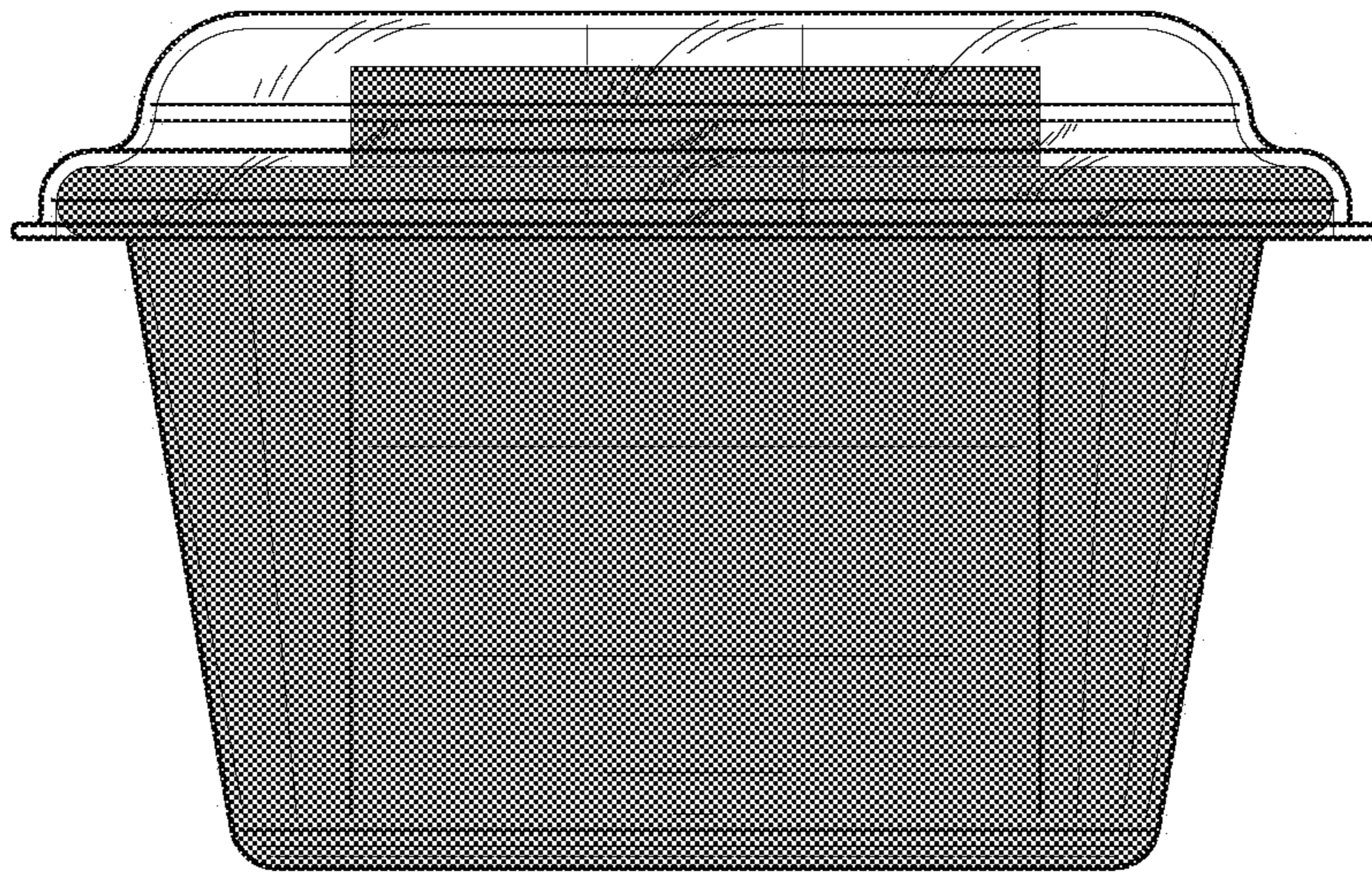


FIG. 2

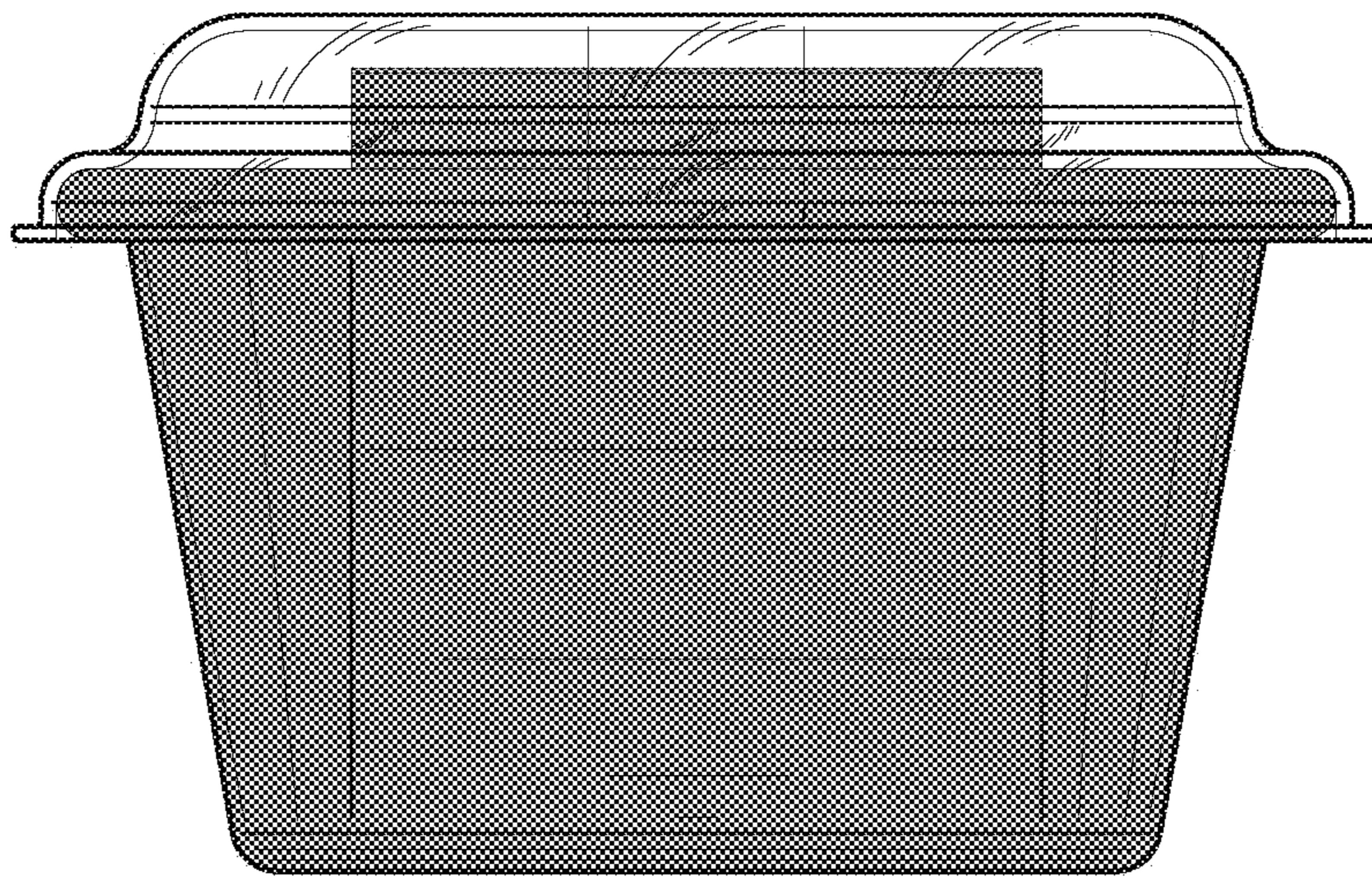


FIG. 3

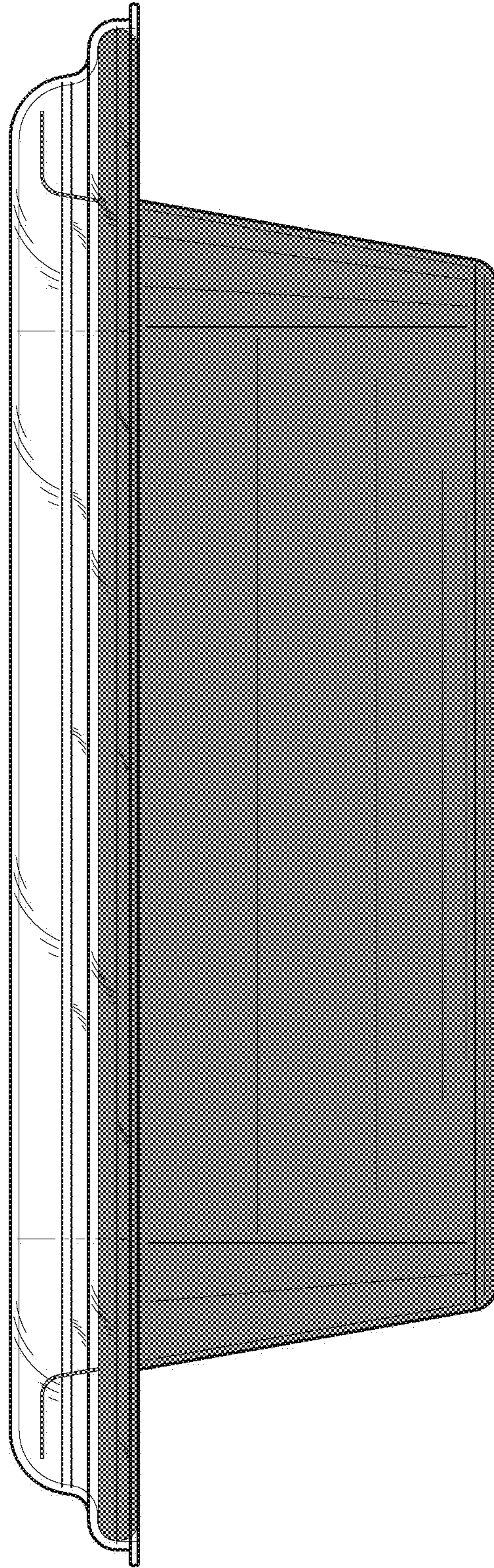


FIG. 4

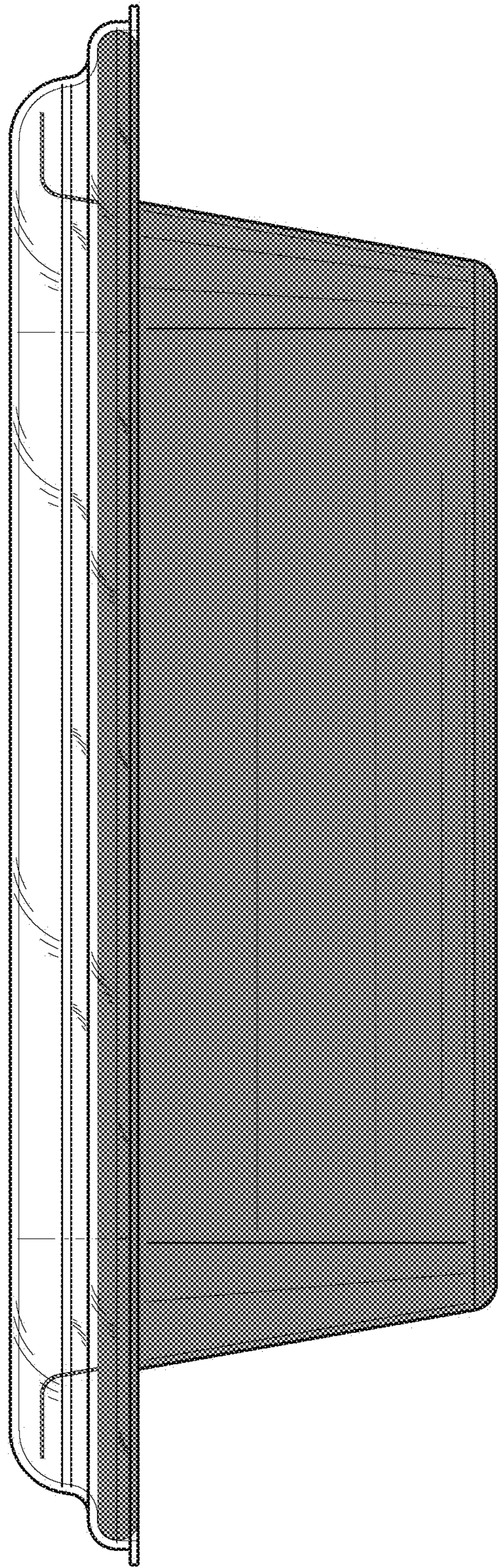


FIG. 5

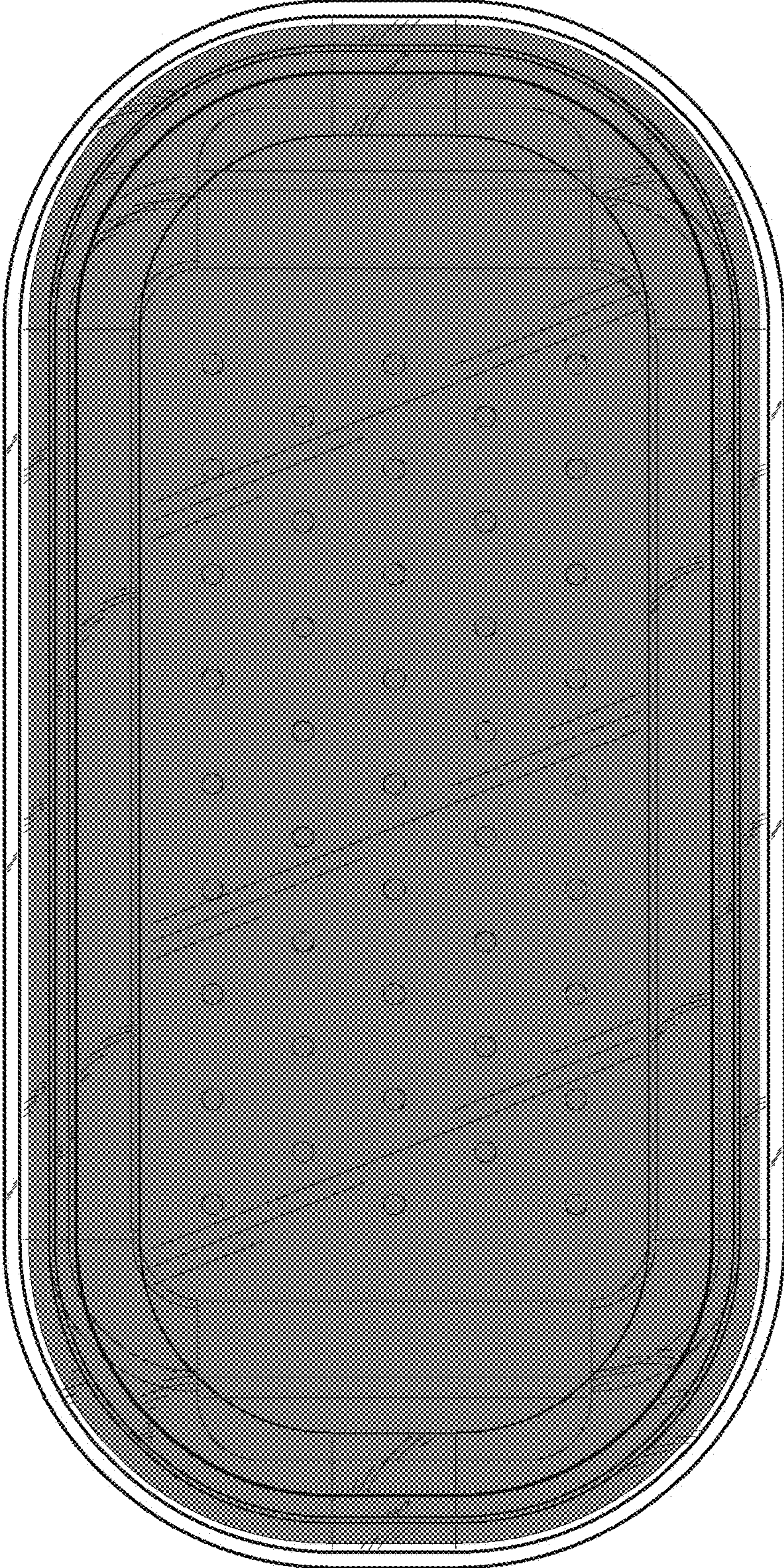


FIG. 6



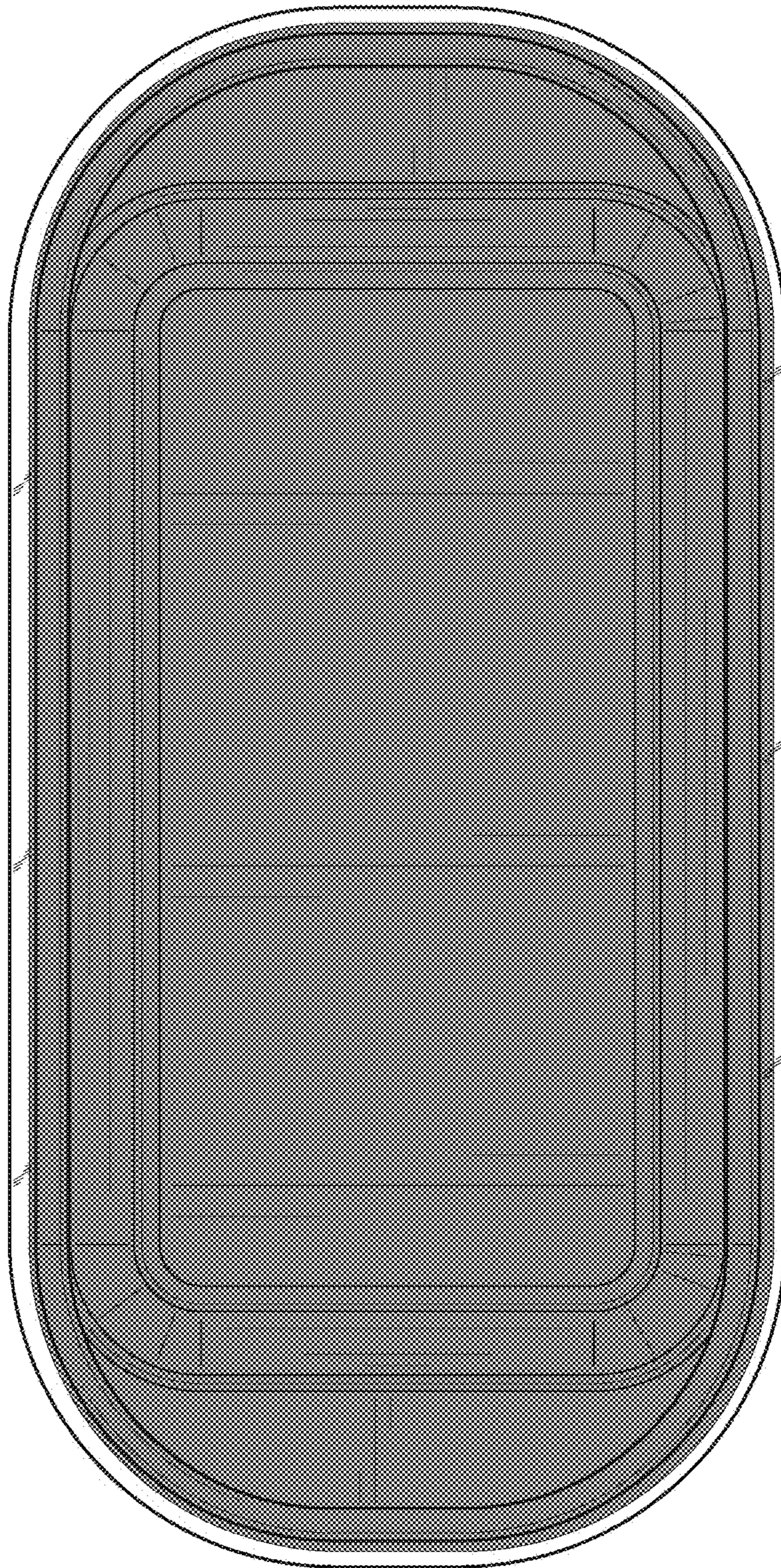


FIG. 7

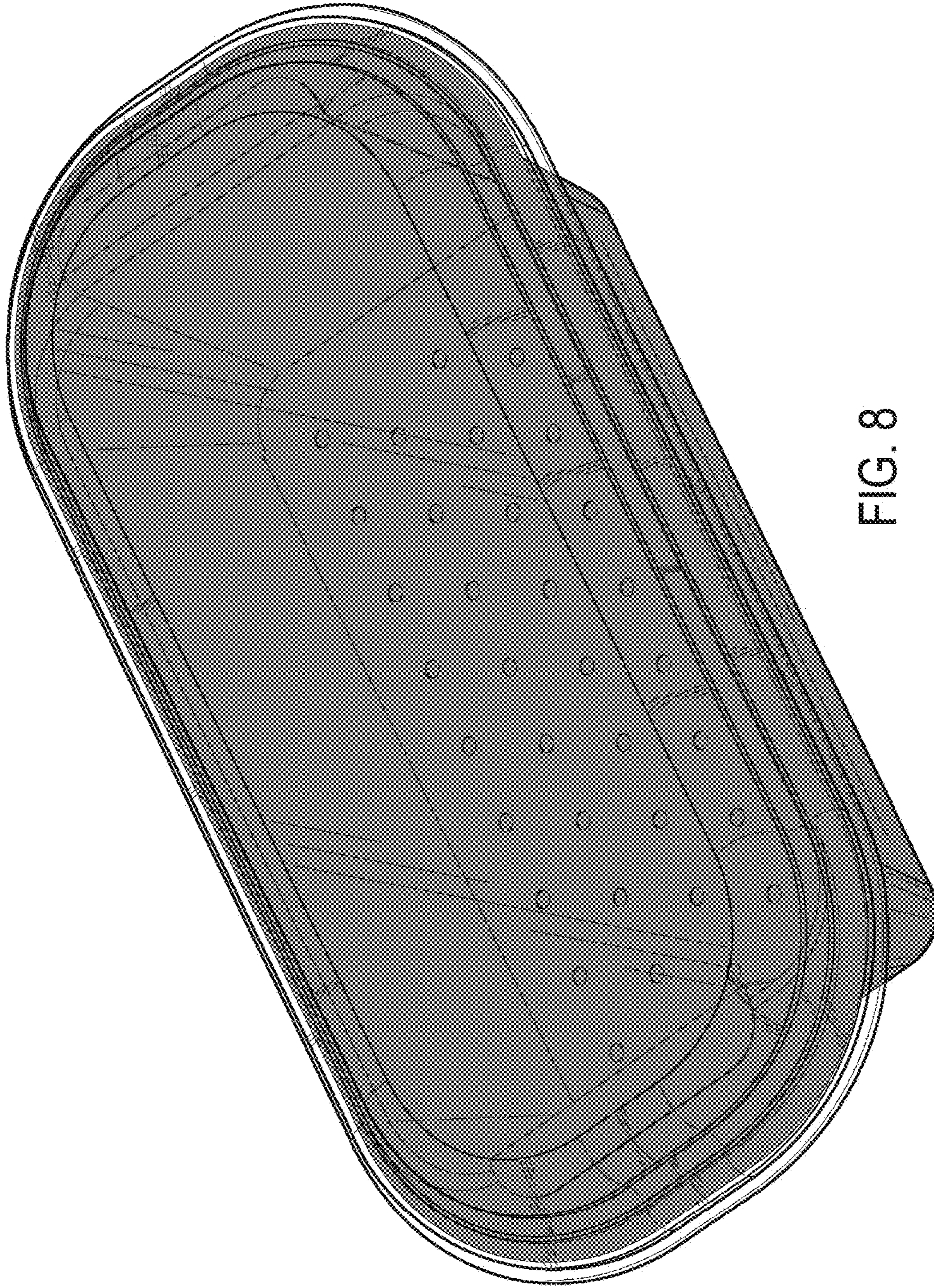


FIG. 8

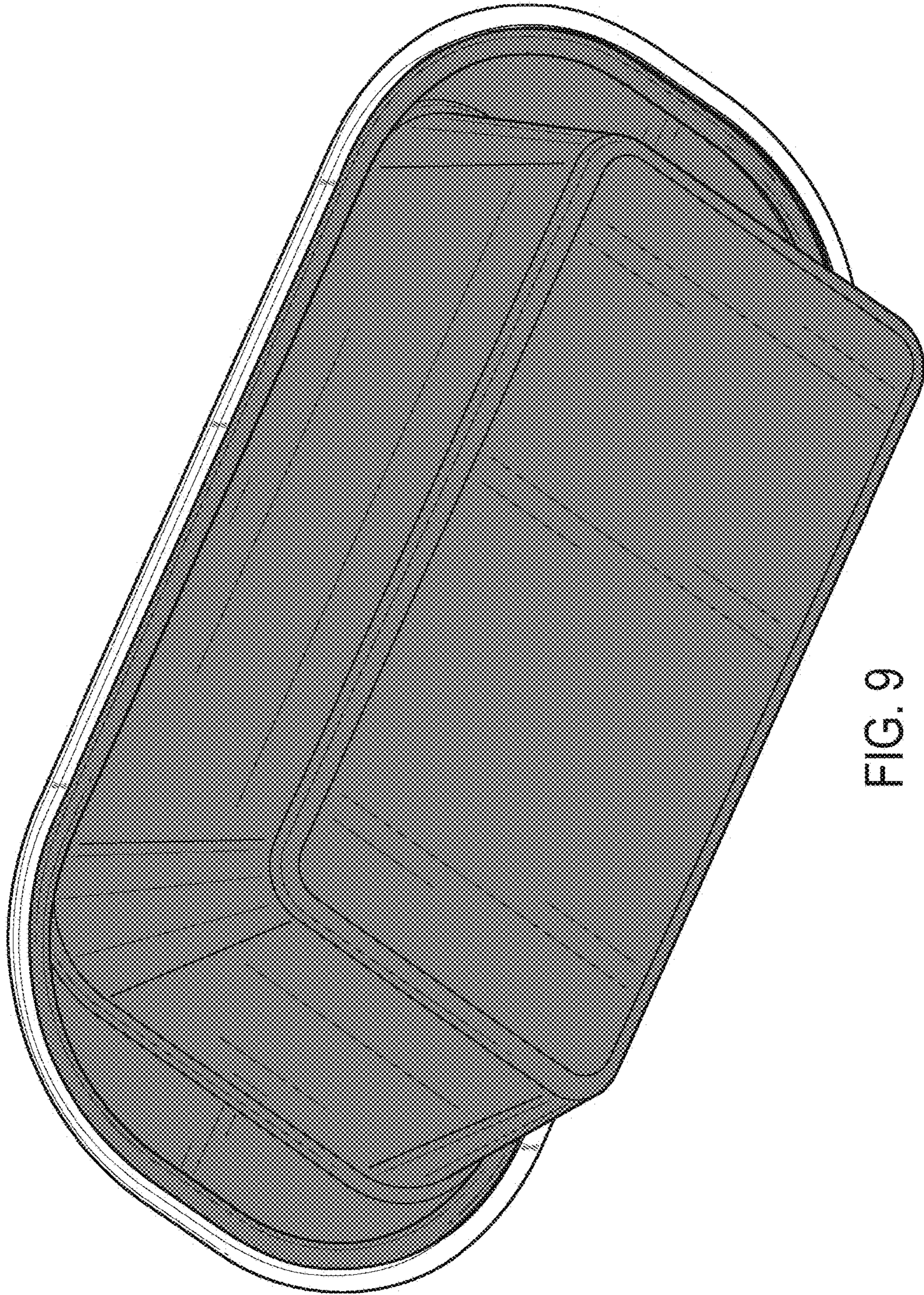


FIG. 9