



US00D830095S

(12) **United States Design Patent** (10) **Patent No.:** **US D830,095 S**
Goossens (45) **Date of Patent:** **** Oct. 9, 2018**

(54) **COOKING UNIT** 5,775,315 A * 7/1998 Baykal A47J 37/0781
126/25 R
(71) Applicant: **Creative Outdoor Products B.V.**, 6,769,906 B1 * 8/2004 Grove F23D 14/28
Roosendaal (NL) 126/519
(72) Inventor: **Hans Robert Goossens**, Laren (NL) D590,201 S * 4/2009 Zagar D7/335
D624,781 S * 10/2010 Allen D7/332
(Continued)

(73) Assignee: **Creative Outdoor Products B.V.**,
Roosendaal (NL)

(**) Term: **15 Years**

(21) Appl. No.: **29/582,296**

(22) Filed: **Oct. 26, 2016**

(30) **Foreign Application Priority Data**

May 11, 2016 (EM) 003122373-0001

(51) **LOC (11) Cl.** **07-02**

(52) **U.S. Cl.**
USPC **D7/332**

(58) **Field of Classification Search**
USPC D7/332-337, 402-411; 126/152 R, 25 R;
D23/343, 348

CPC .. A47J 37/067; A47J 37/0694; A47J 37/0786;
A47J 37/0704; A47J 37/0713; A47J
37/0781; A47J 37/0777; A47J 37/0763;
A47J 37/0611; A47J 37/0709; A47J
37/0676; F24C 15/16; F24C 1/16; F24C
5/20; F24C 3/14; F24C 7/10

See application file for complete search history.

(56) **References Cited**

U.S. PATENT DOCUMENTS

2,094,915 A * 10/1937 Dawson A47J 37/0781
108/25
D286,002 S * 10/1986 Brix D7/332
5,168,796 A * 12/1992 Porton A47J 37/0781
108/50.13
D361,467 S * 8/1995 Kabayama D7/334
D389,009 S * 1/1998 Baykal D7/335

FOREIGN PATENT DOCUMENTS

EP 2 143 362 B1 1/2010
EP 2 581 003 B1 4/2013

OTHER PUBLICATIONS

Feuerring GmbH, "Feuerring—Healthy Grilling with Swiss Grill Art", retrieved from the Internet on Jun. 12, 2015 from: <http://www.feuerring.ch/en/>. 7 pages, (Mar. 1, 2013).

(Continued)

Primary Examiner — Susan Bennett Hattan

Assistant Examiner — Brett Miller

(74) *Attorney, Agent, or Firm* — Womble Bond Dickinson (US) LLP

(57) **CLAIM**

The ornamental design for cooking unit, as shown and described.

DESCRIPTION

FIG. 1 is a perspective view of cooking unit, showing my new design;

FIG. 2 is a front view thereof;

FIG. 3 is a top view thereof;

FIG. 4 is a bottom view thereof;

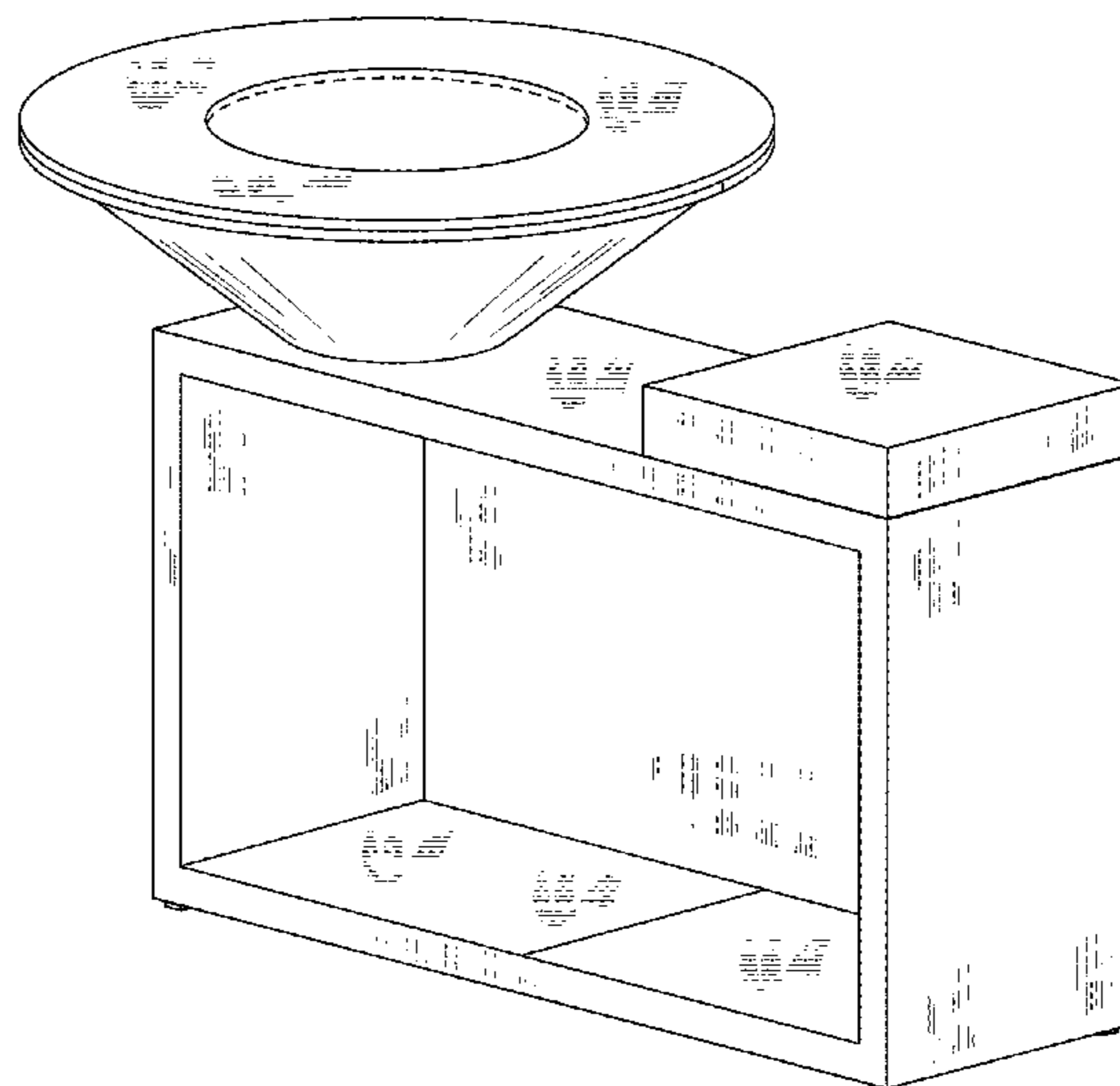
FIG. 5 is a left side view thereof;

FIG. 6 is a right side view thereof; and,

FIG. 7 is a back view thereof.

The broken lines depict portions of the cooking unit that form no part of the claim.

1 Claim, 7 Drawing Sheets



(56)

References Cited

U.S. PATENT DOCUMENTS

9,612,022 B2 * 4/2017 Chiang F24C 15/2035

OTHER PUBLICATIONS

Feuerring GmbH, "Feuerring—Firebowl, Fireplace and Accessories", retrieved from the Internet on Feb. 25, 2015 from: <http://www.feuerring.ch/en/products>, 5 pages, (prior to Nov. 18, 2014).

* cited by examiner

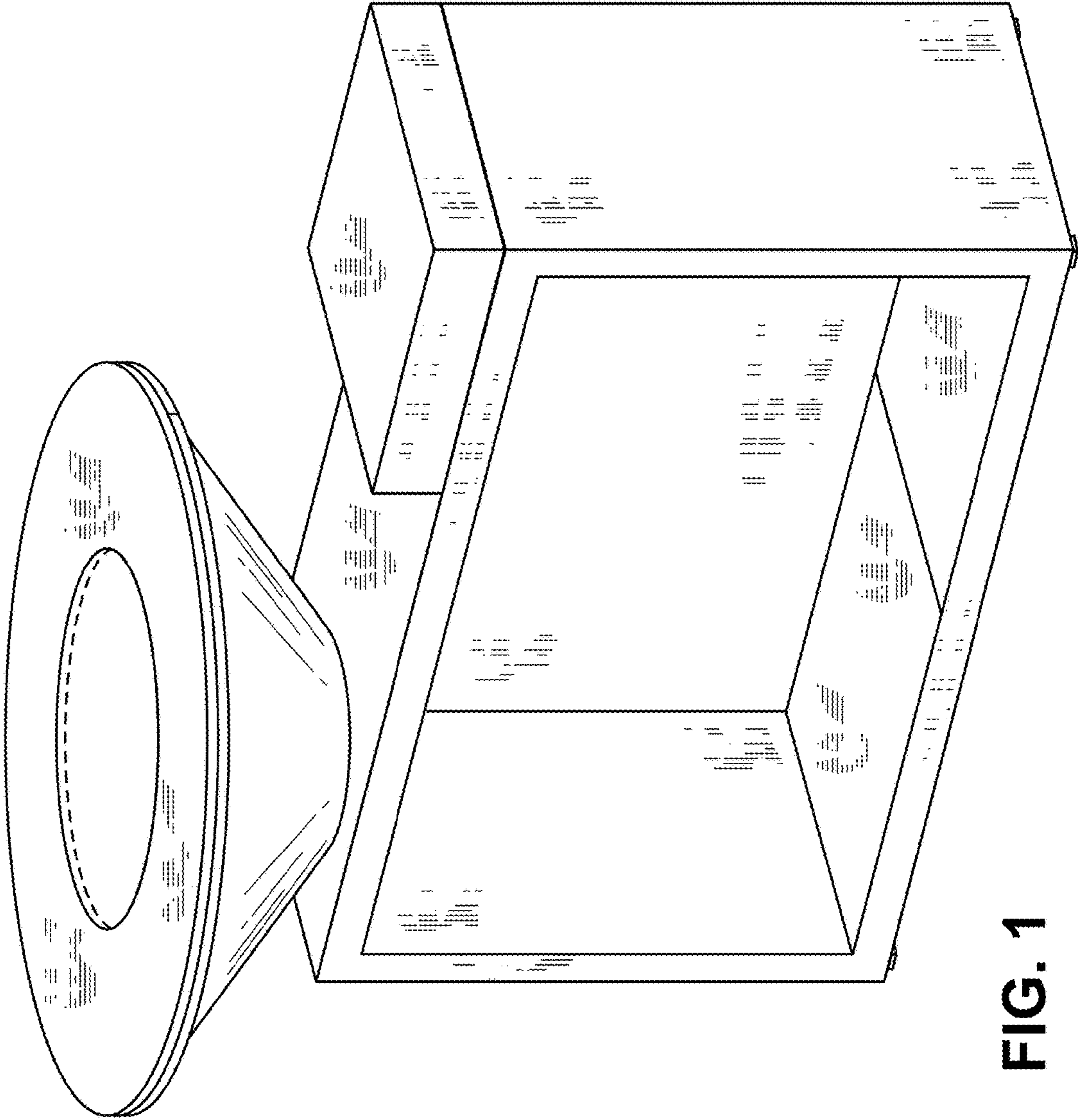


FIG. 1

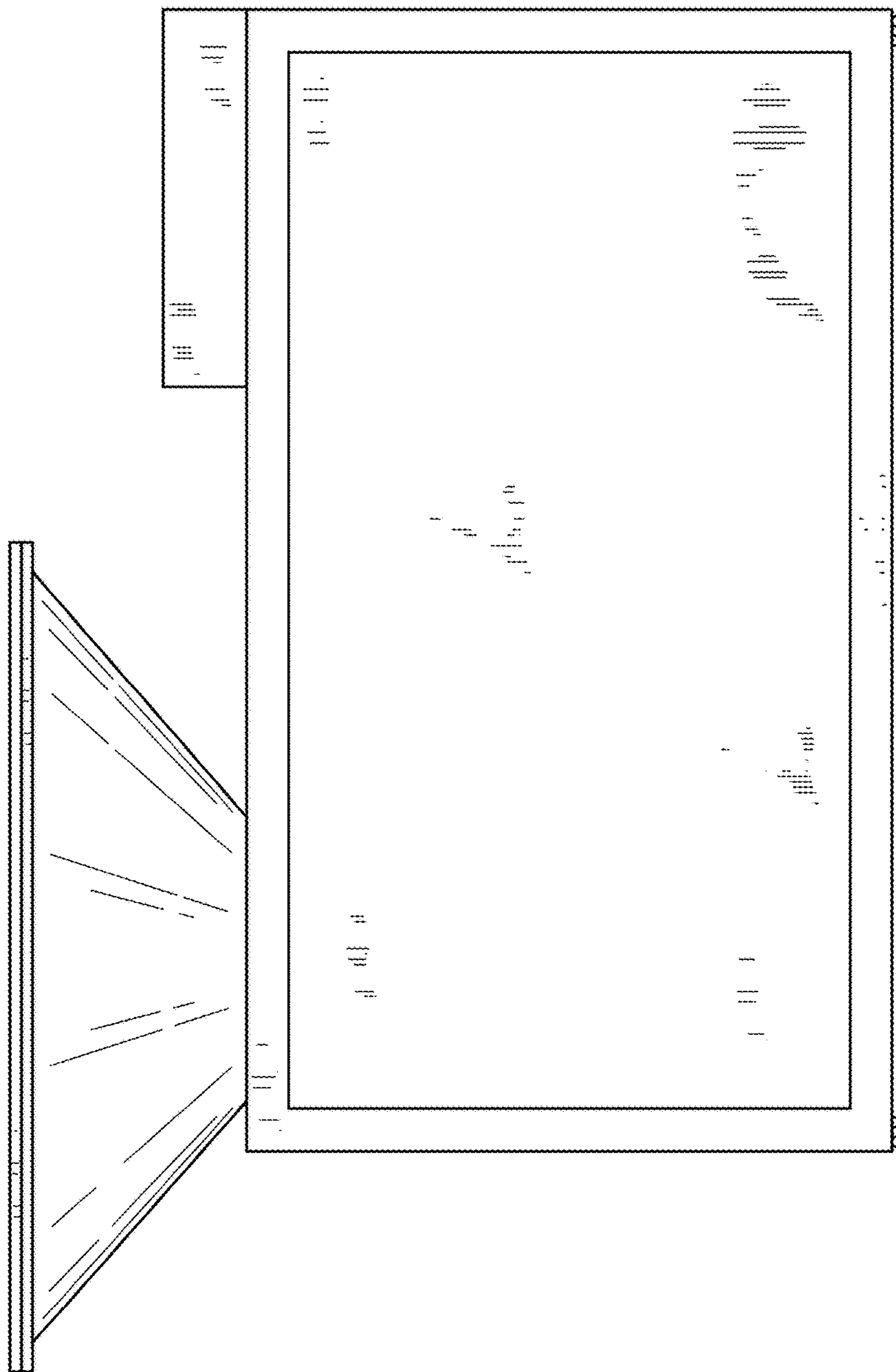


FIG. 2

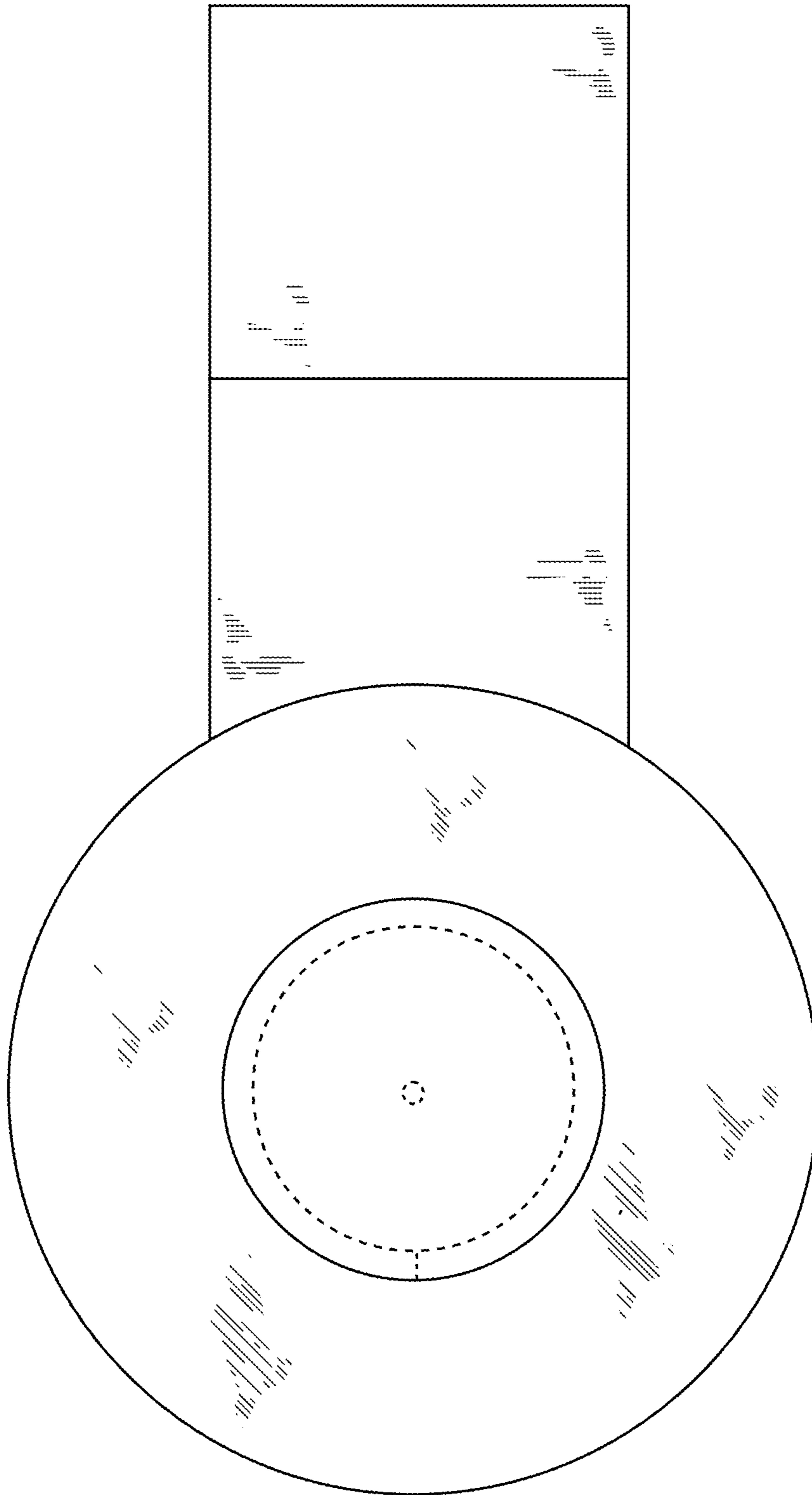


FIG. 3

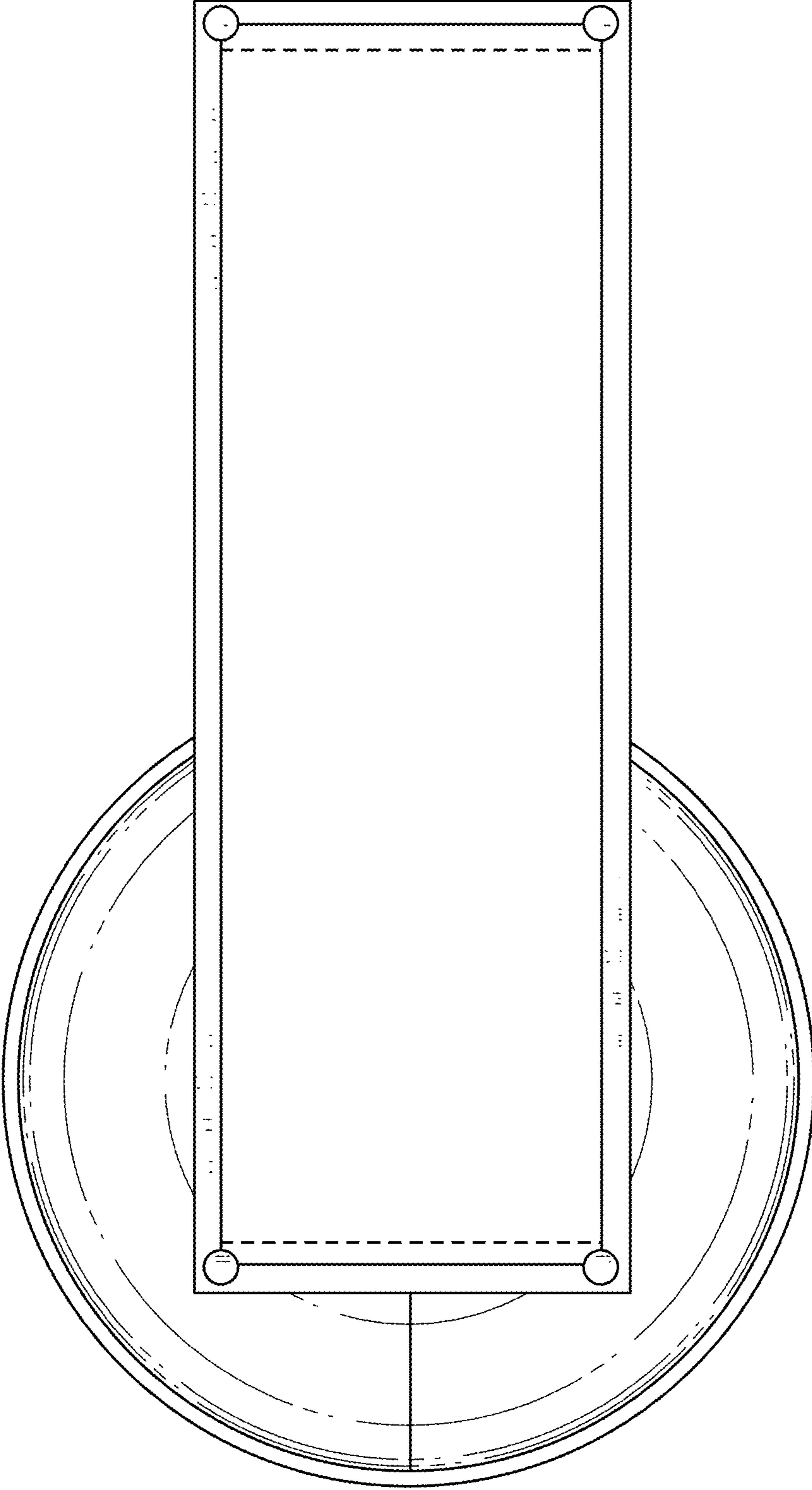


FIG. 4

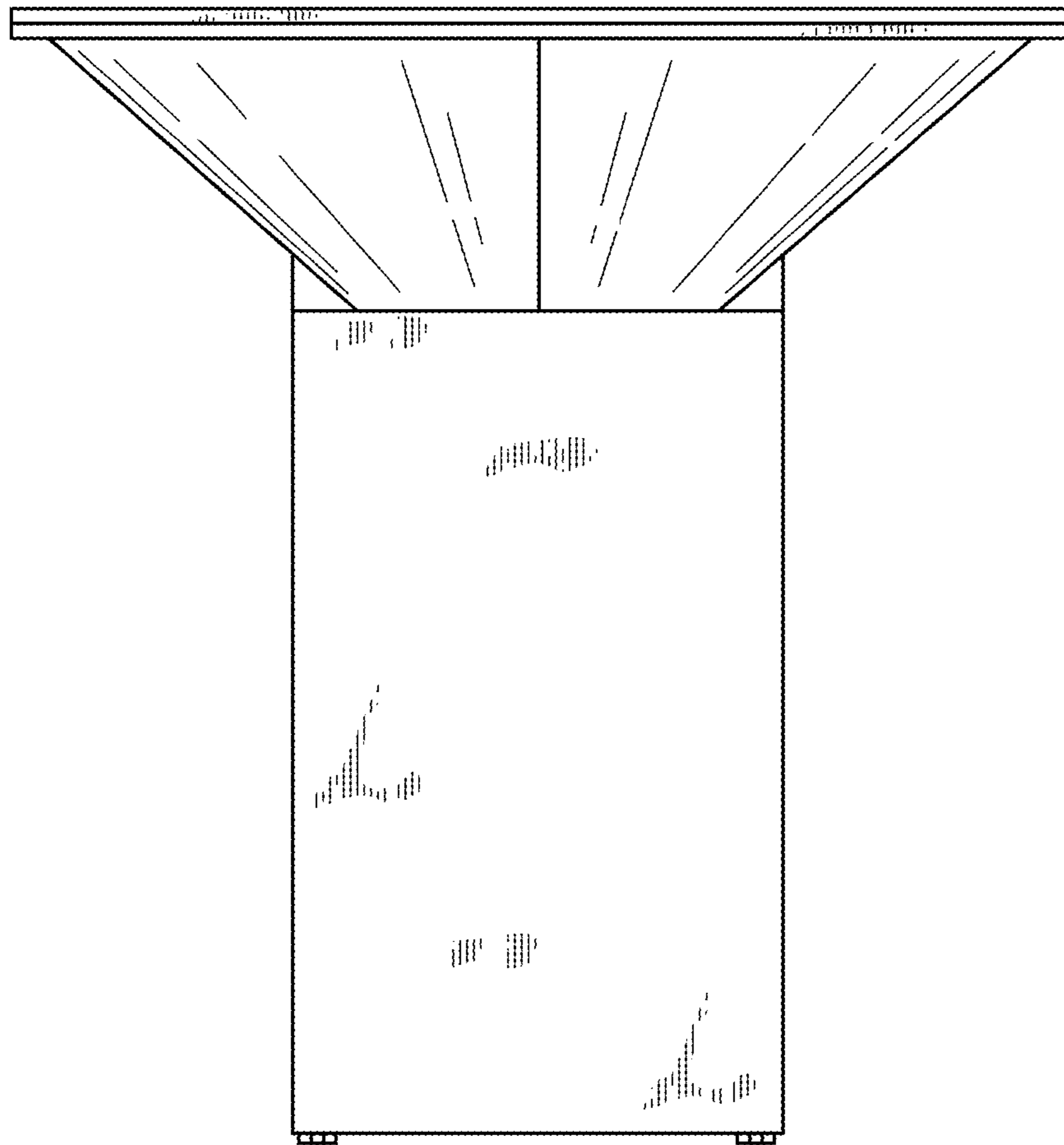


FIG. 5

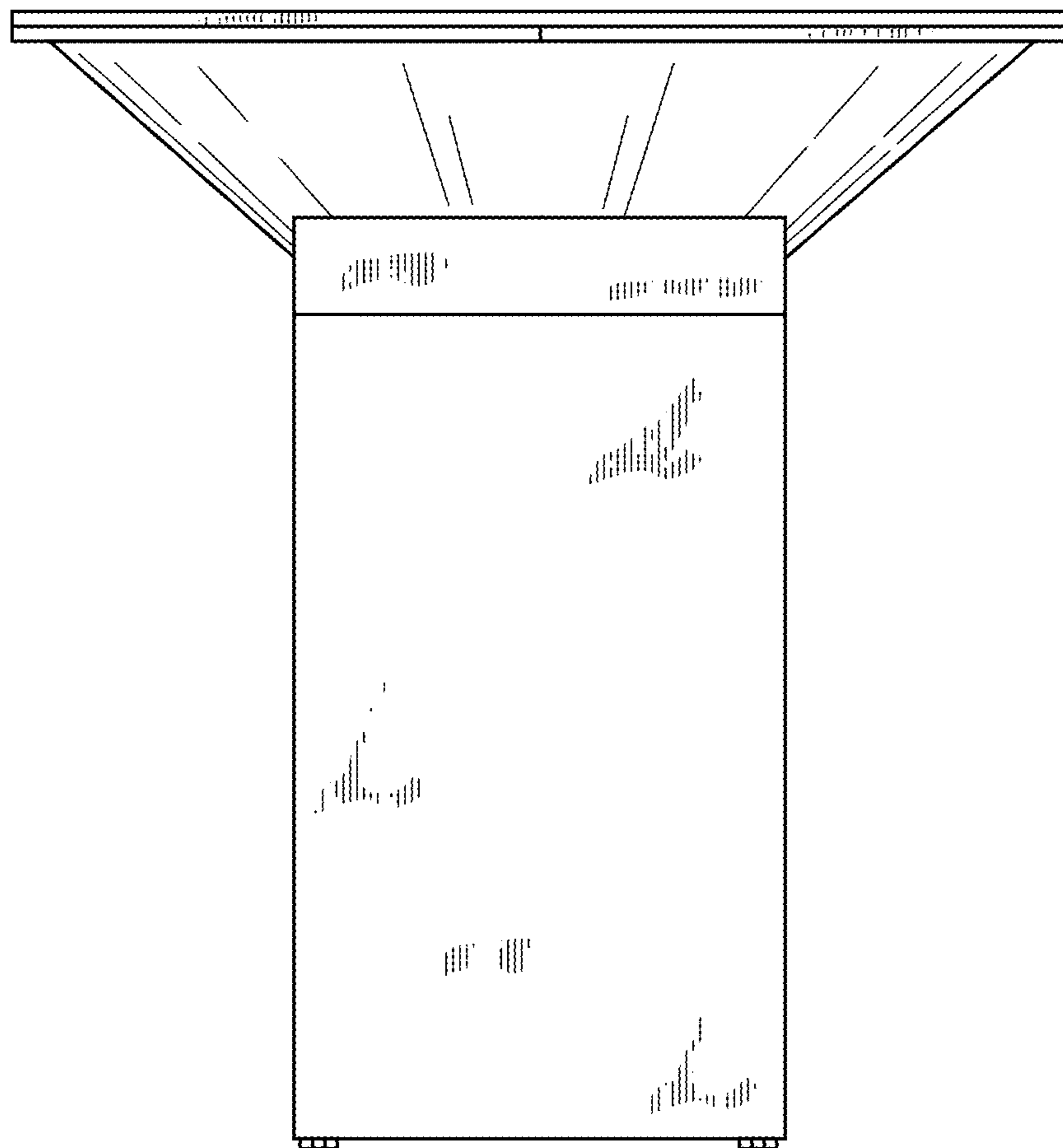


FIG. 6

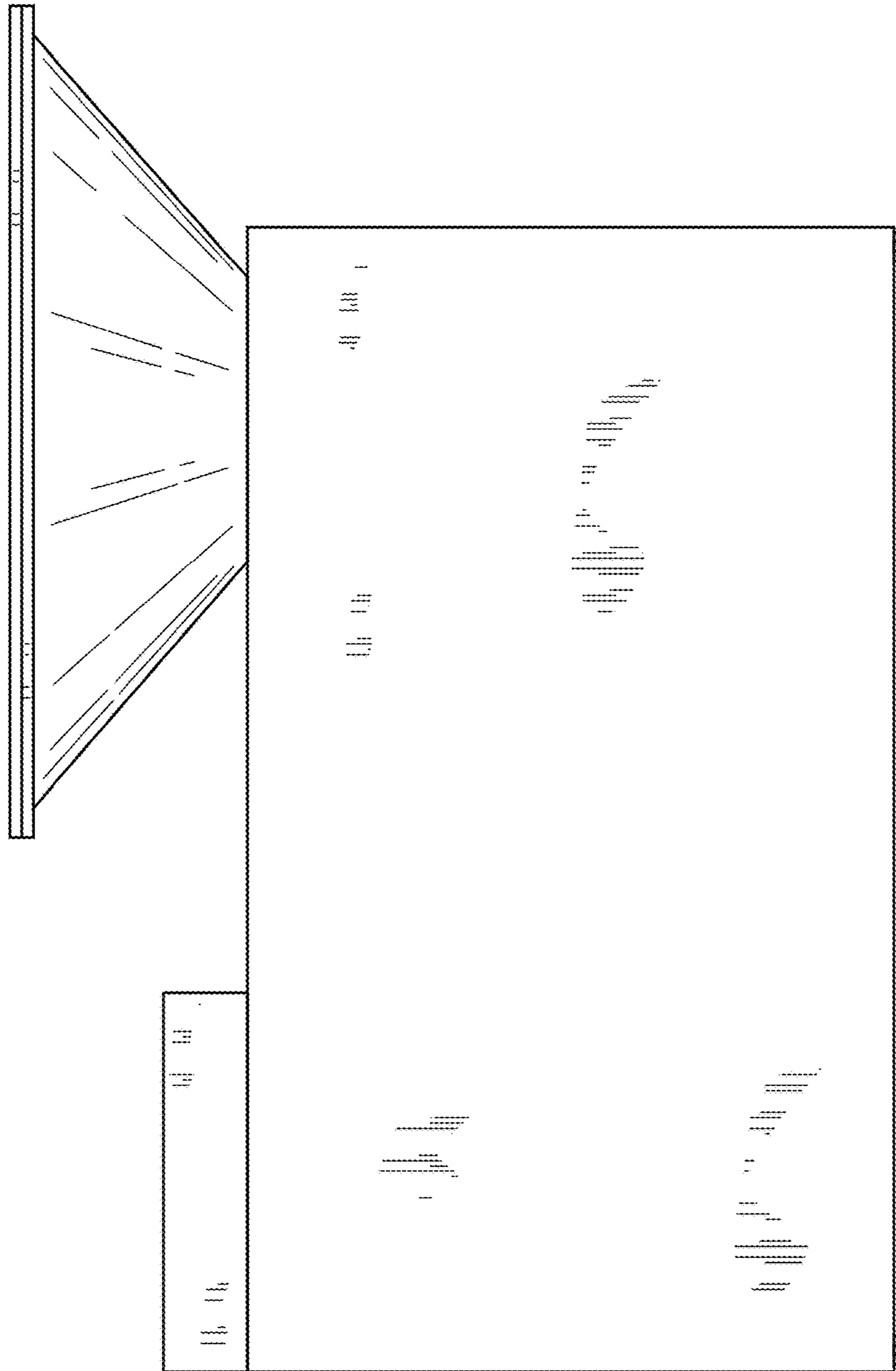


FIG. 7