



US00D830094S

(12) **United States Design Patent** (10) **Patent No.:** **US D830,094 S**  
**Barquin et al.** (45) **Date of Patent:** **\*\* Oct. 9, 2018**

- (54) **KETTLE**
- (71) Applicant: **Spectrum Brands, Inc.**, Middleton, WI (US)
- (72) Inventors: **Francisco Javier Barquin**, Madison, WI (US); **Luke Charles Bradshaw**, Kalmar (SE)
- (73) Assignee: **Spectrum Brands, Inc.**, Middleton, WI (US)
- (\*\*) Term: **15 Years**
- (21) Appl. No.: **29/628,520**
- (22) Filed: **Dec. 5, 2017**

**Related U.S. Application Data**

- (63) Continuation of application No. 29/597,421, filed on Mar. 16, 2017, now Pat. No. Des. 811,149.
- (51) **LOC (11) Cl.** ..... **07-01**
- (52) **U.S. Cl.**  
USPC ..... **D7/318**
- (58) **Field of Classification Search**  
USPC ..... D7/316-321, 378, 384, 598, 600, 619.1, D7/622; D9/544, 545, 548, 549  
CPC ..... A47J 31/00; A47G 19/22  
See application file for complete search history.

**References Cited**

**U.S. PATENT DOCUMENTS**

- D315,471 S \* 3/1991 Van Deursen ..... D7/317
- D498,638 S \* 11/2004 Morrison ..... D7/318

- D554,425 S 11/2007 Schwamkrug
- D646,520 S \* 10/2011 Collinson ..... D7/376
- 8,405,004 B2 3/2013 Li
- D714,581 S 10/2014 Shao
- D747,130 S 1/2016 Kunz
- D777,500 S 1/2017 Lee et al.
- D815,873 S \* 4/2018 Ho ..... D7/319
- D815,874 S \* 4/2018 Chung ..... D7/319

**OTHER PUBLICATIONS**

“1.7L Stainless Steel Electric Kettle,” Black and Decker; disclosure date unknown but prior to filing date of present application; <URL: <http://www.blackanddeckerappliances.com/products/coffee-and-tea/tea-kettles/KE2000SD-Electric-Kettle.aspx>>.

\* cited by examiner

*Primary Examiner* — Derrick Holland  
*Assistant Examiner* — Andrew Kerr  
(74) *Attorney, Agent, or Firm* — Banner & Witcoff, Ltd.

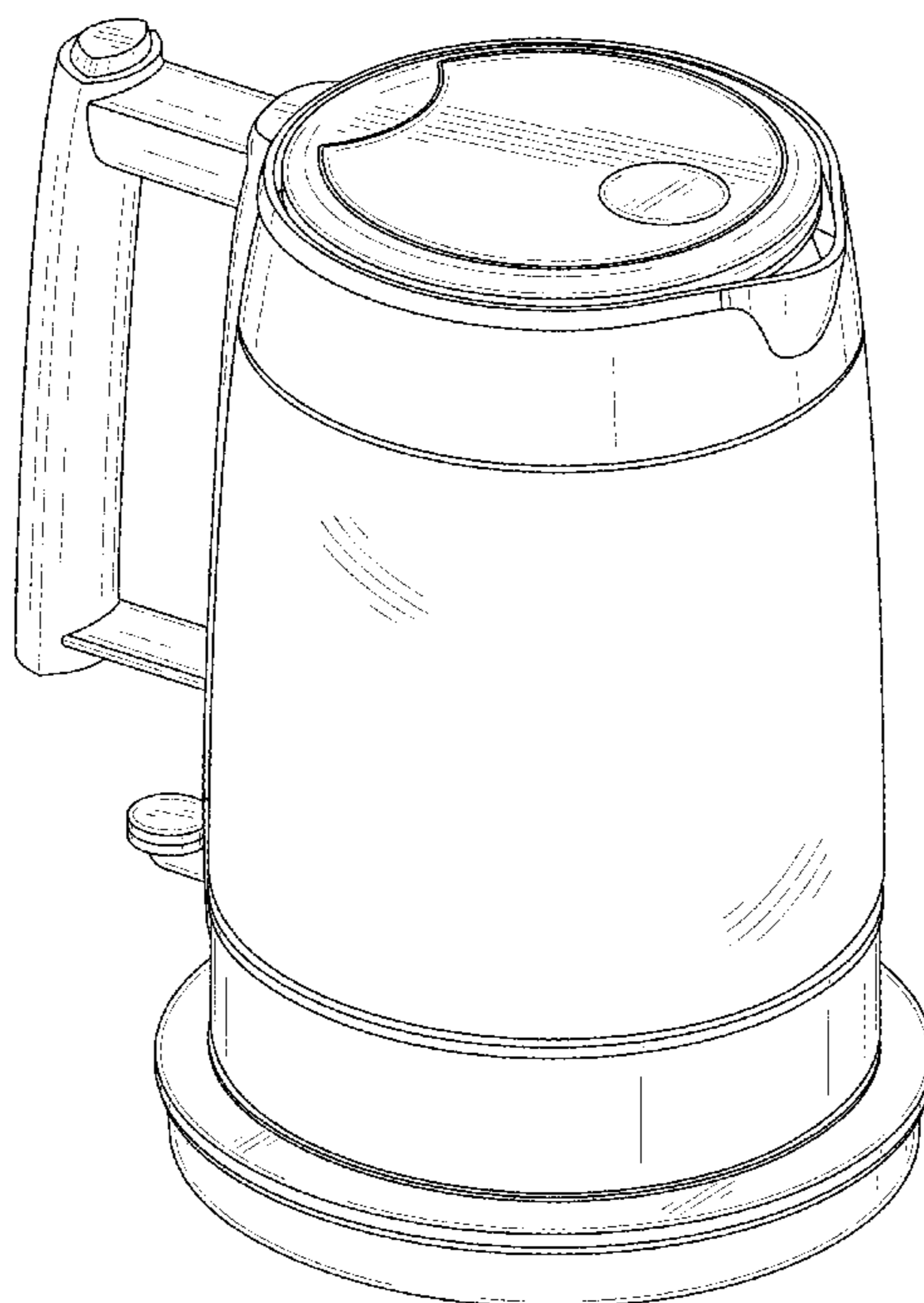
(57) **CLAIM**

The ornamental design for a kettle, as shown and described.

**DESCRIPTION**

FIG. 1 is a front perspective view of a kettle showing our new design;  
FIG. 2 is a left side view thereof;  
FIG. 3 is a right side view thereof;  
FIG. 4 is a front view thereof;  
FIG. 5 is a rear view thereof;  
FIG. 6 is a top view thereof; and,  
FIG. 7 is a bottom view thereof.  
The broken lines in the figure drawings represent environmental structure and forms no part of the claimed design.

**1 Claim, 7 Drawing Sheets**



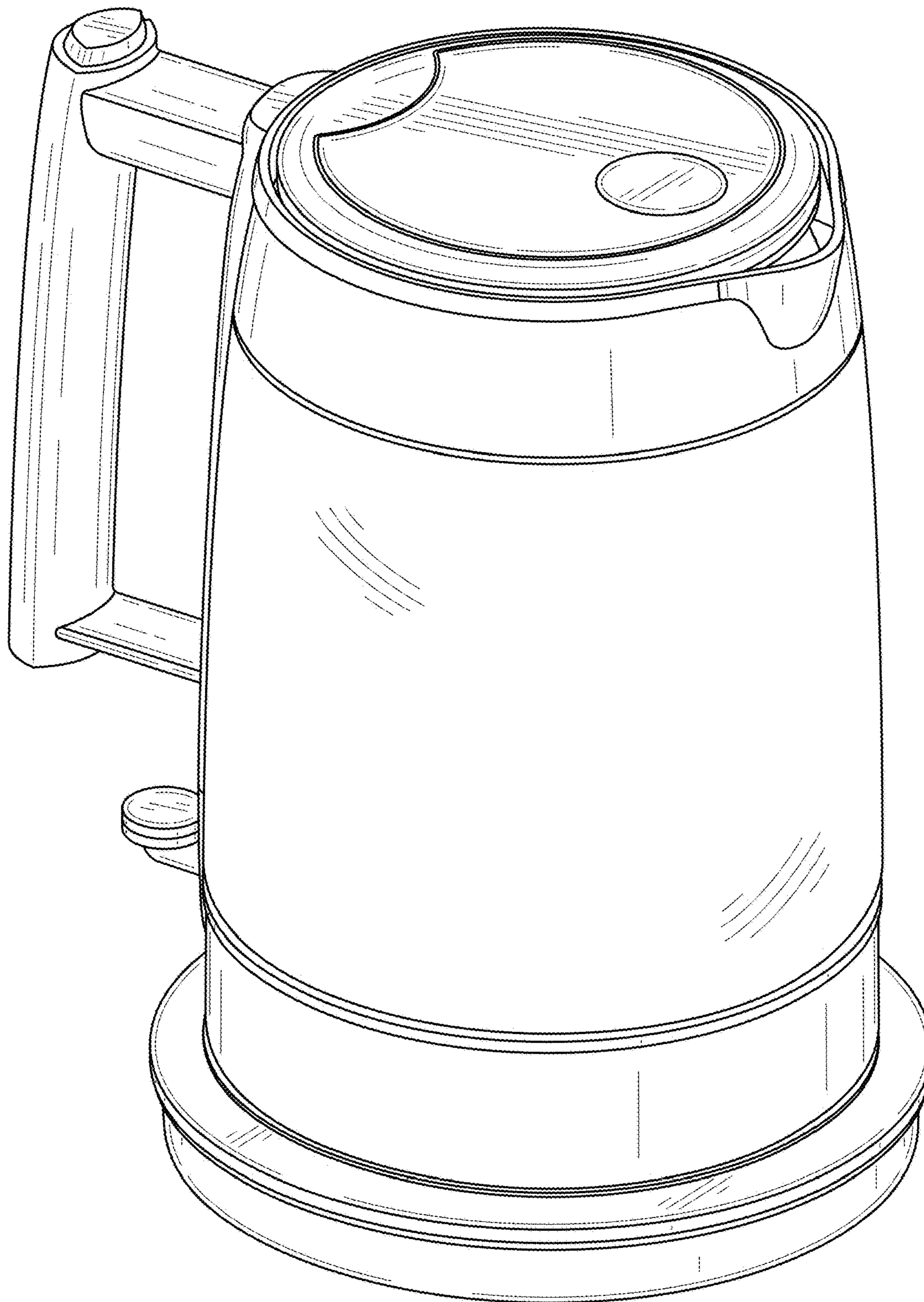


FIG. 1

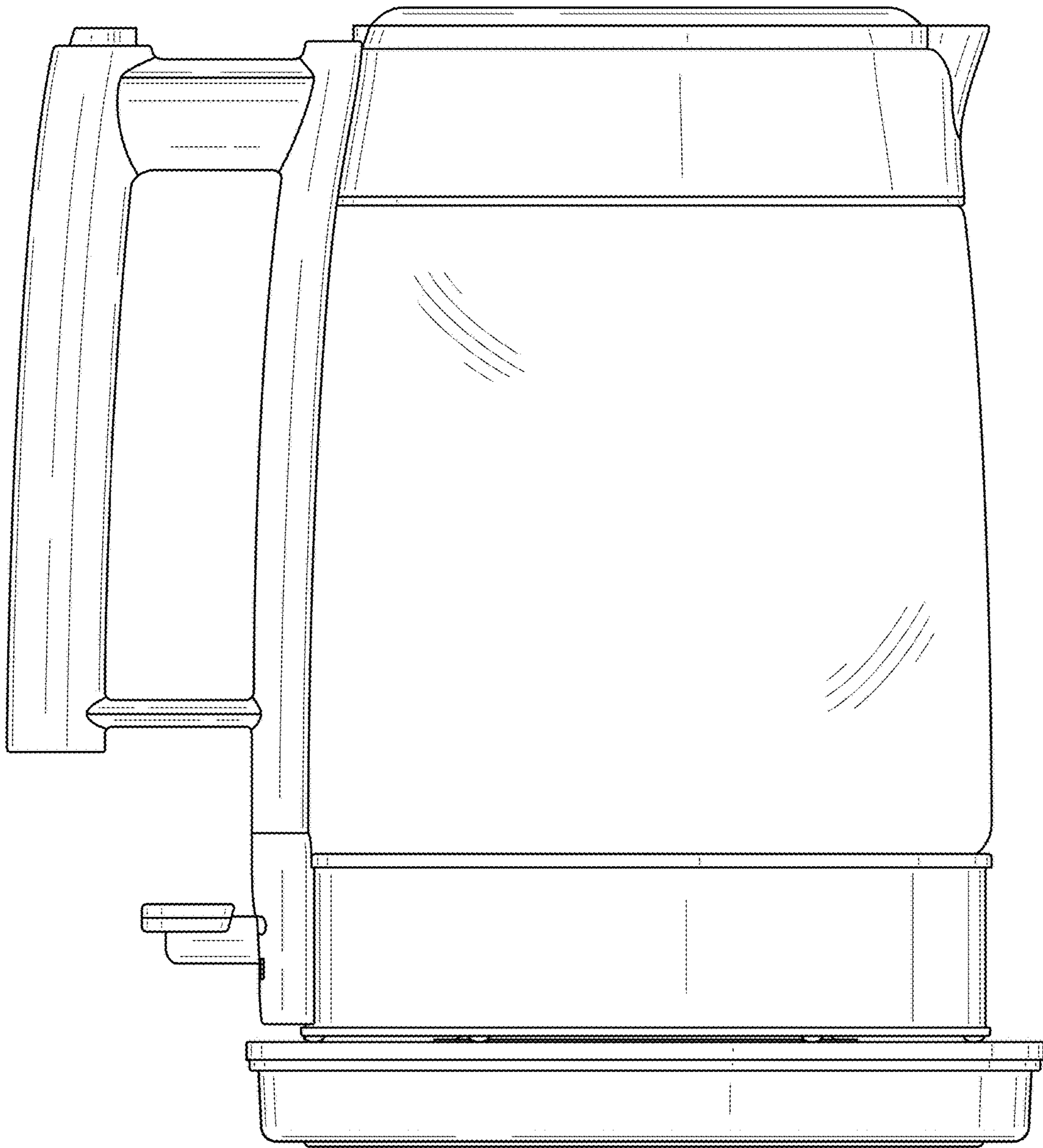


FIG. 2

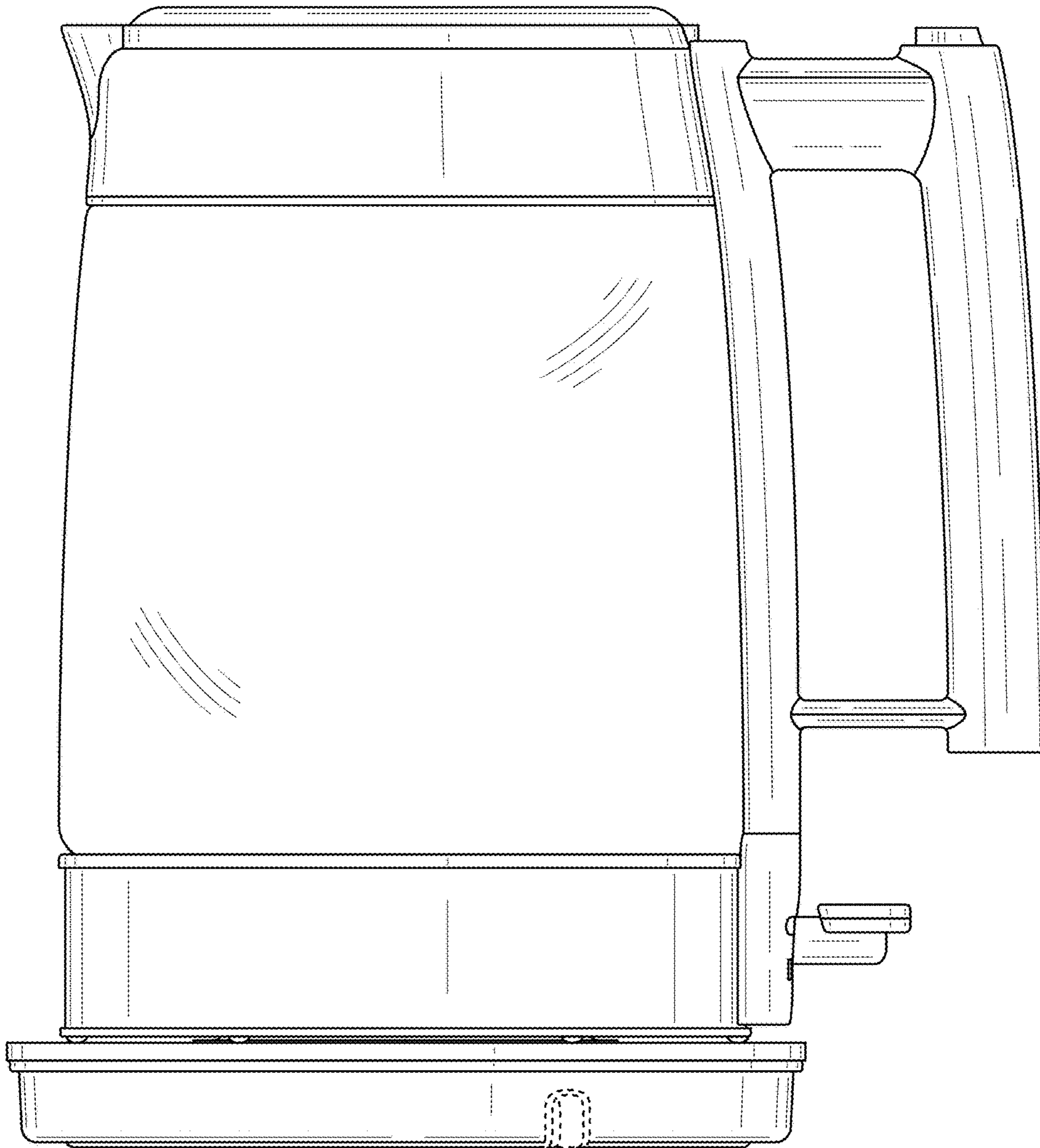


FIG. 3

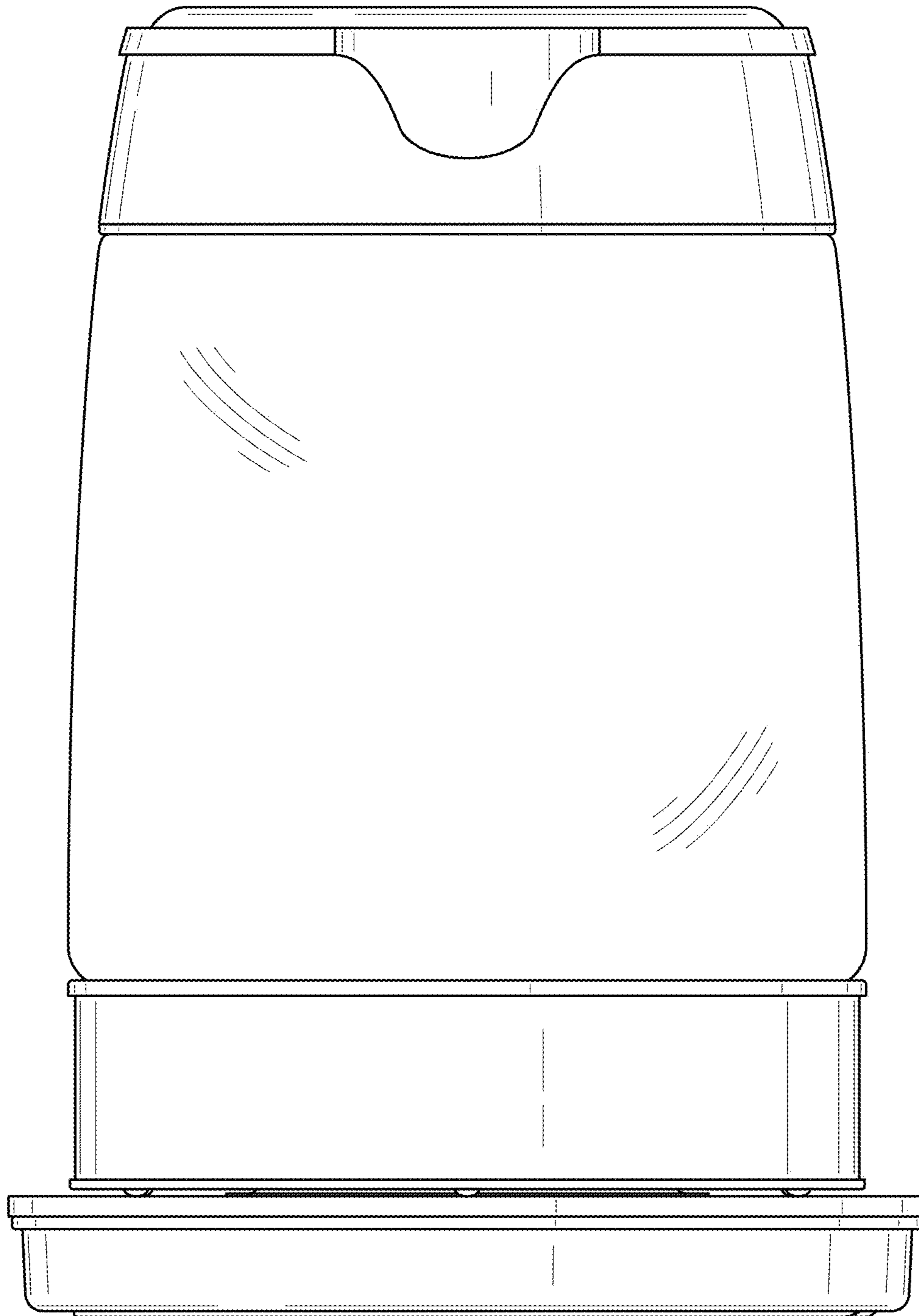


FIG. 4

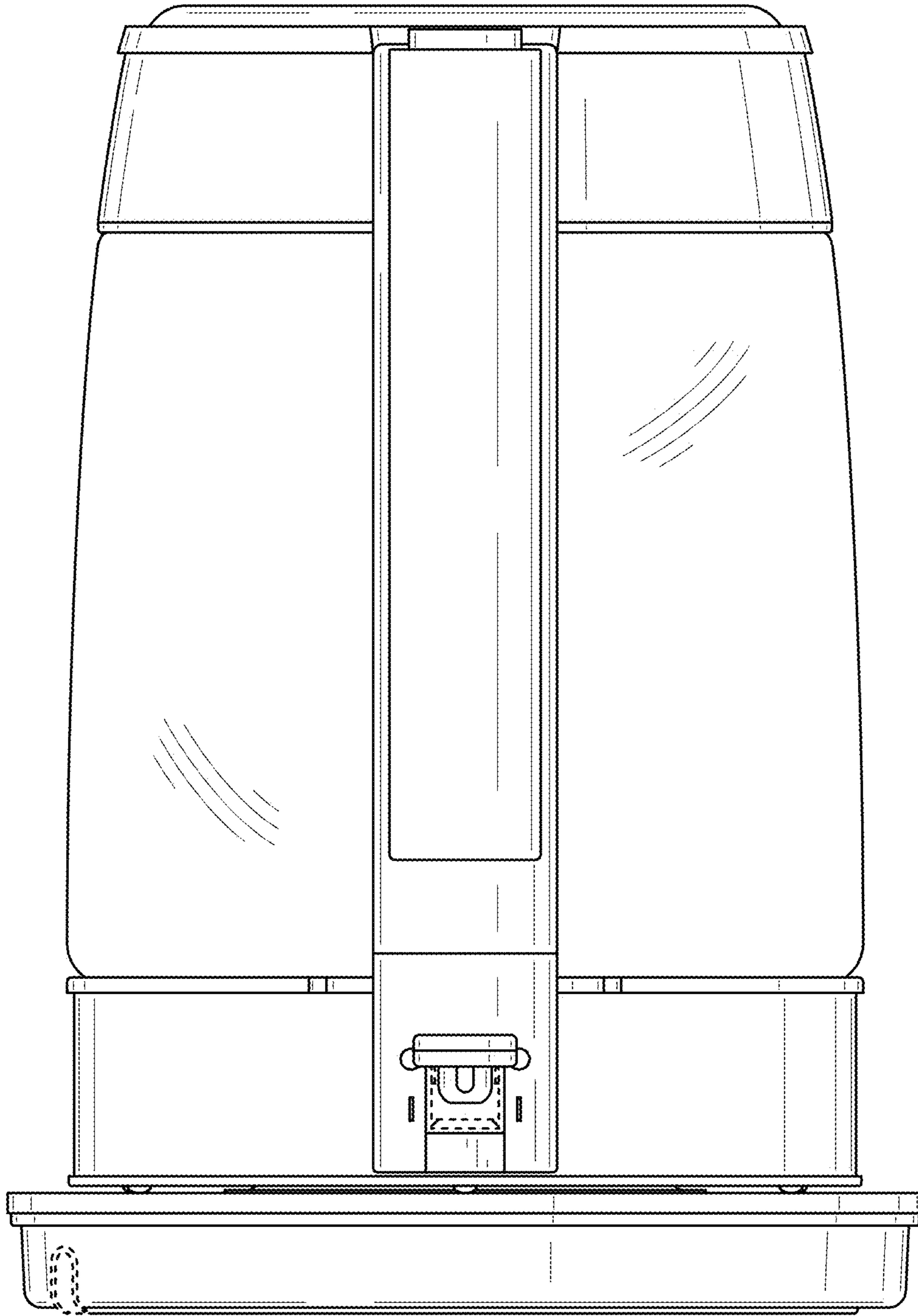


FIG. 5

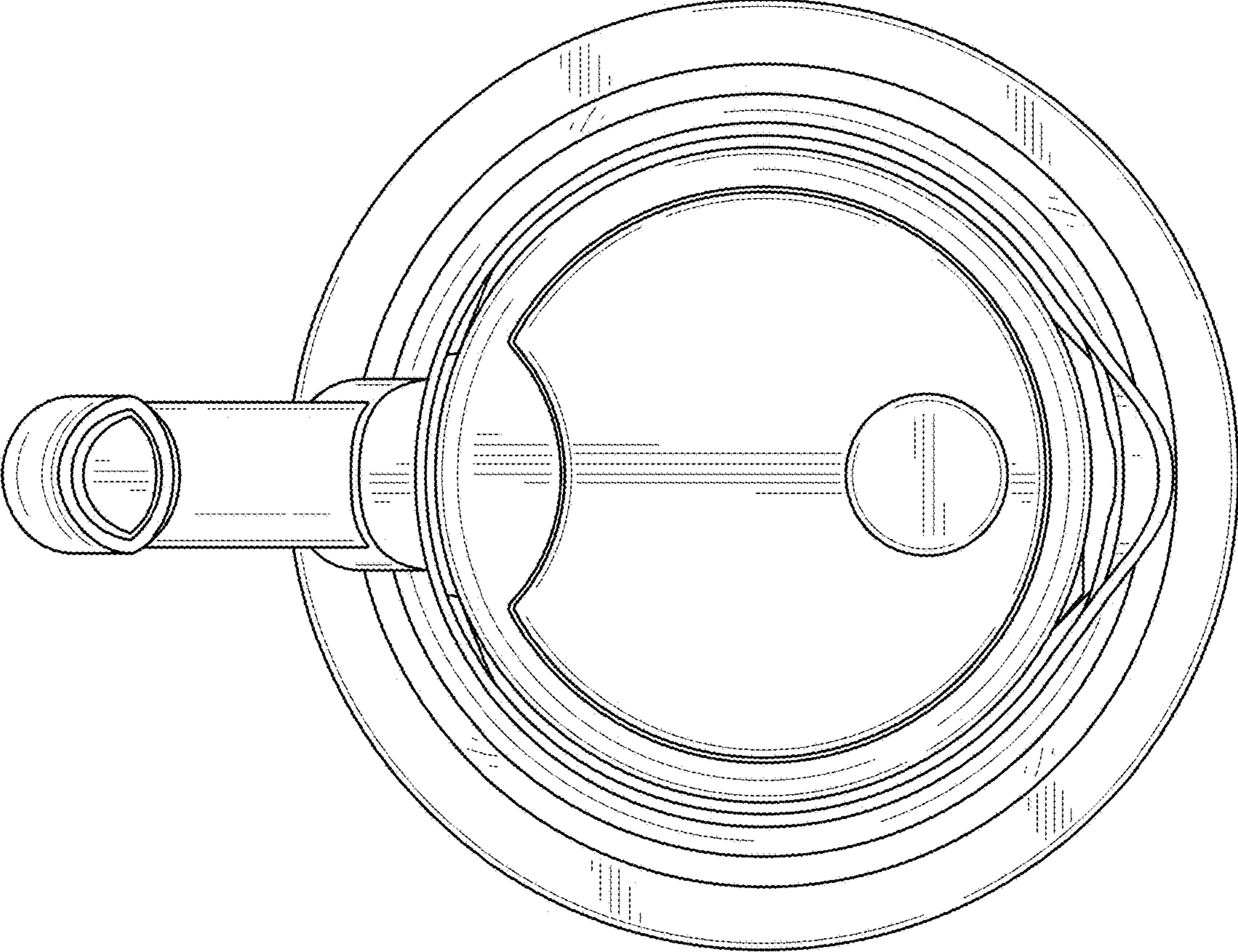


FIG. 6

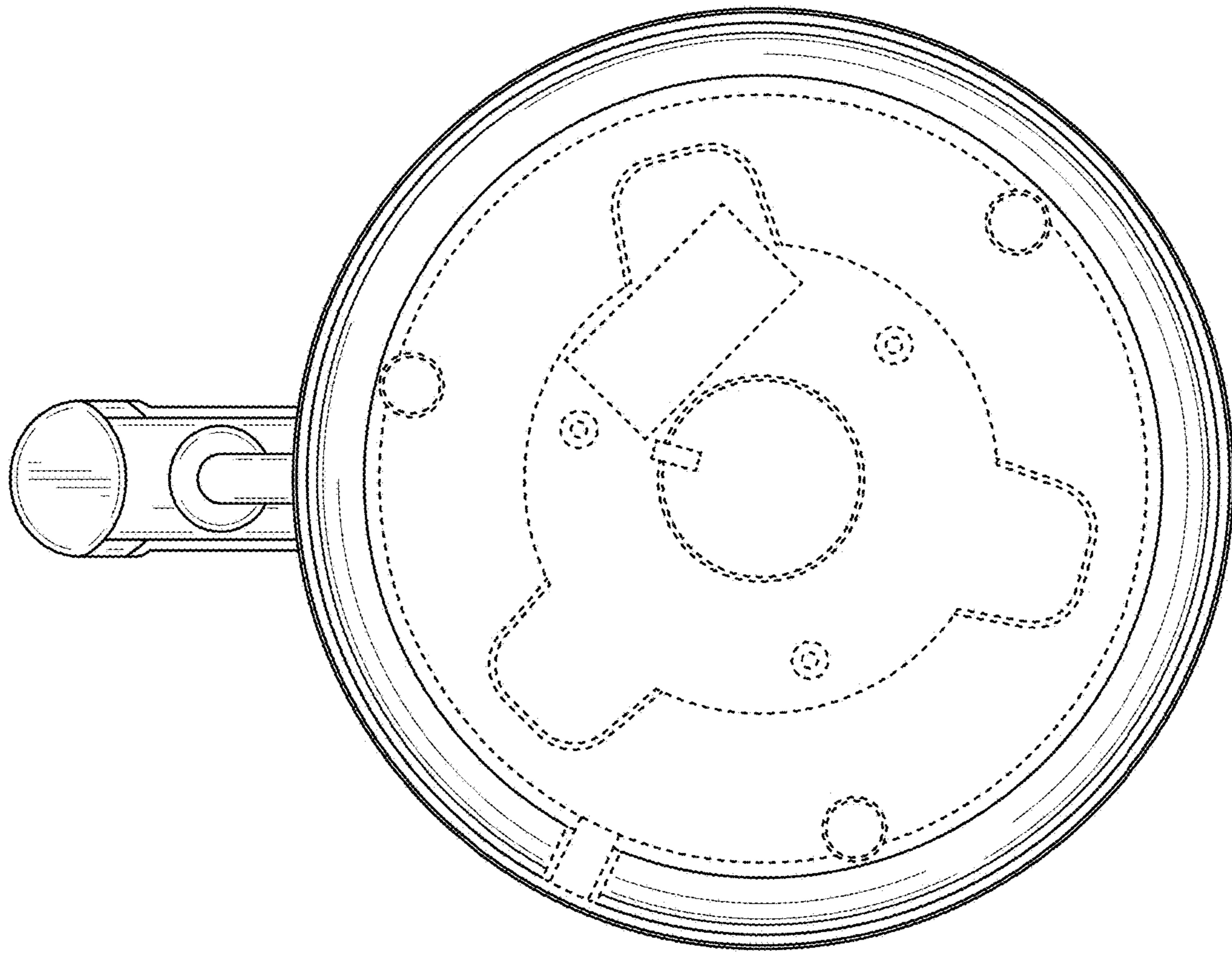


FIG. 7