



US00D830092S

(12) **United States Design Patent**
Kolberg

(10) **Patent No.:** **US D830,092 S**

(45) **Date of Patent:** **** Oct. 9, 2018**

(54) **SEAT HAVING A TEXTURED SURFACE**

(71) Applicant: **Kusch + Co. GmbH & Co. KG**,
Hallenberg (DE)

(72) Inventor: **Justus Kolberg**, Hamburg (DE)

(73) Assignee: **Kusch + Co. GmbH & Co. KG**,
Hallenberg (DE)

(**) Term: **15 Years**

(21) Appl. No.: **29/616,282**

(22) Filed: **Sep. 5, 2017**

(30) **Foreign Application Priority Data**

Mar. 8, 2017 (EP) 003790500

(51) **LOC (11) Cl.** **06-01**

(52) **U.S. Cl.**
USPC **D6/716; D6/375**

(58) **Field of Classification Search**
USPC D6/334-336, 371, 372, 373, 374, 375,
D6/376, 379, 380, 716, 716.1, 716.4
CPC A47C 3/04; A47C 4/02; A47C 4/03; A47C
3/12; A47C 5/12; A47C 7/16
See application file for complete search history.

(56) **References Cited**

U.S. PATENT DOCUMENTS

D171,208 S *	12/1953	Jones	D6/375
D171,210 S *	12/1953	Jones	D6/375
D178,880 S *	10/1956	Hauser	D6/375
D189,347 S *	11/1960	Chapman	D6/375
D228,483 S *	10/1973	Sebel	D6/375
D235,236 S *	6/1975	Prizlow	D6/375

D275,354 S *	9/1984	Kaganas	D6/375
D299,191 S *	1/1989	Frinier	D6/375
D300,189 S *	3/1989	Frineir	D6/379
D360,786 S *	8/1995	Zapf	D6/716
D663,132 S *	7/2012	Morrison	D6/375
D690,147 S *	9/2013	Meyer	D6/716
D693,139 S *	11/2013	Darrow et al.	D6/374
D715,569 S *	10/2014	Laub et al.	D6/375
D753,945 S *	4/2016	Johnson et al.	D6/716

FOREIGN PATENT DOCUMENTS

DE 202011100998 A1 9/2011

* cited by examiner

Primary Examiner — Mimosa De

(74) *Attorney, Agent, or Firm* — Kilpatrick Townsend & Stockton LLP

(57) **CLAIM**

The ornamental design for seat having a textured surface, as shown and described.

DESCRIPTION

FIG. 1 is a front perspective view of a first embodiment of the seat having a textured surface that is constructed of polyurethane;

FIG. 2 is a more detailed view of the textured surface of FIG. 1

FIG. 3 is a front view;

FIG. 4 is a back view;

FIG. 5 is a right side view;

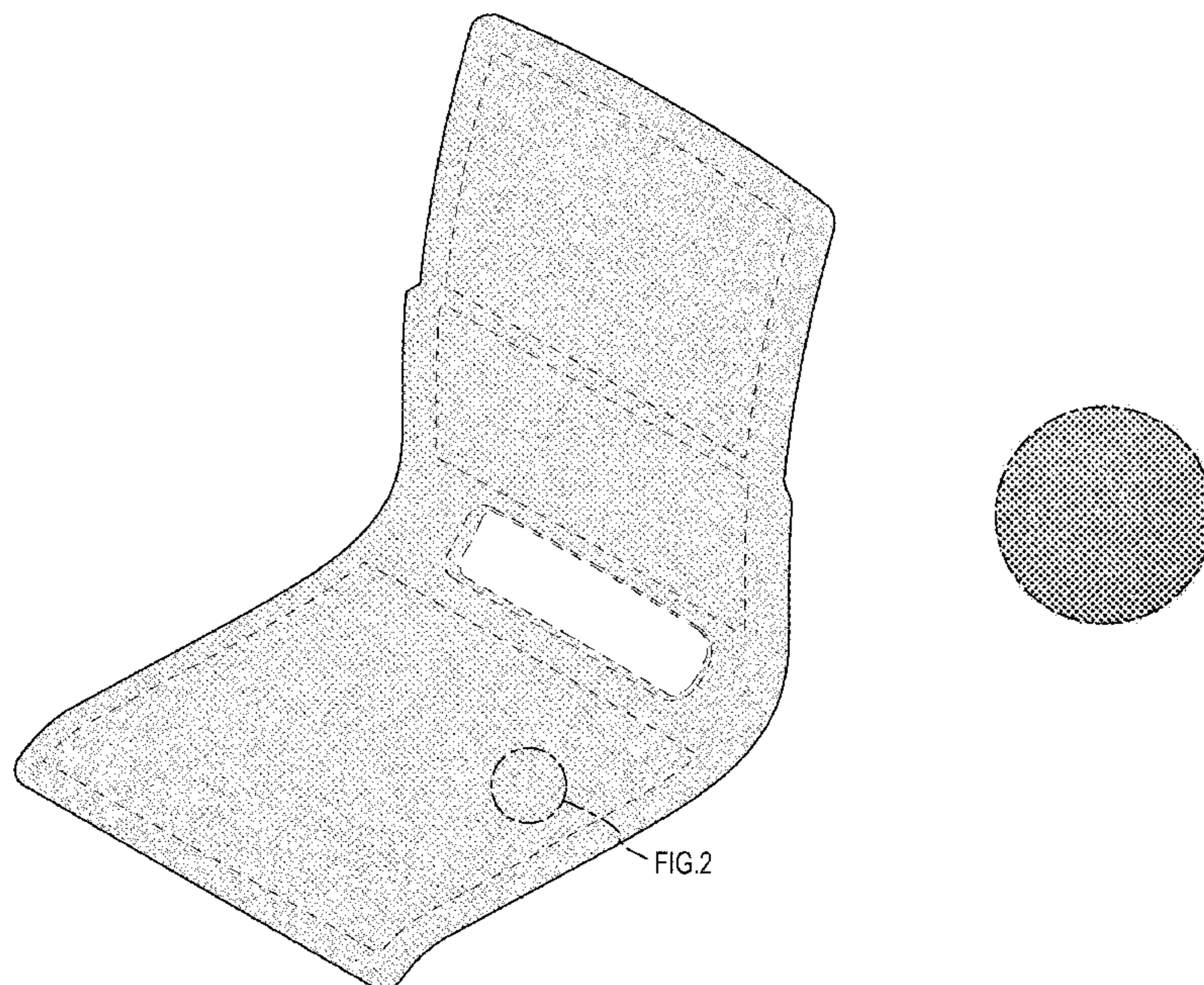
FIG. 6 is a left side view;

FIG. 7 is a top view; and,

FIG. 8 is a bottom view.

The features shown in dashed line form no part of the claimed invention.

1 Claim, 7 Drawing Sheets



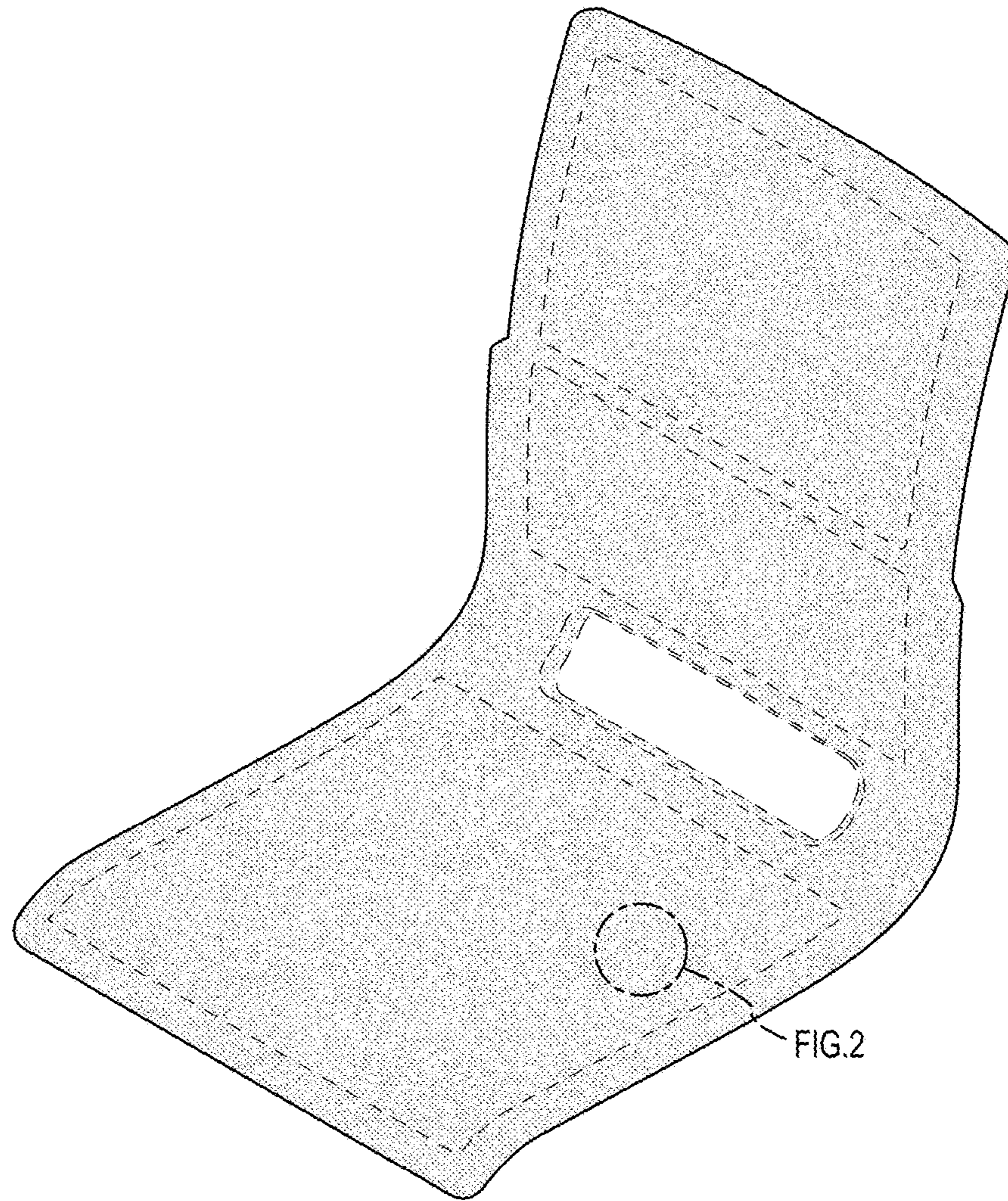
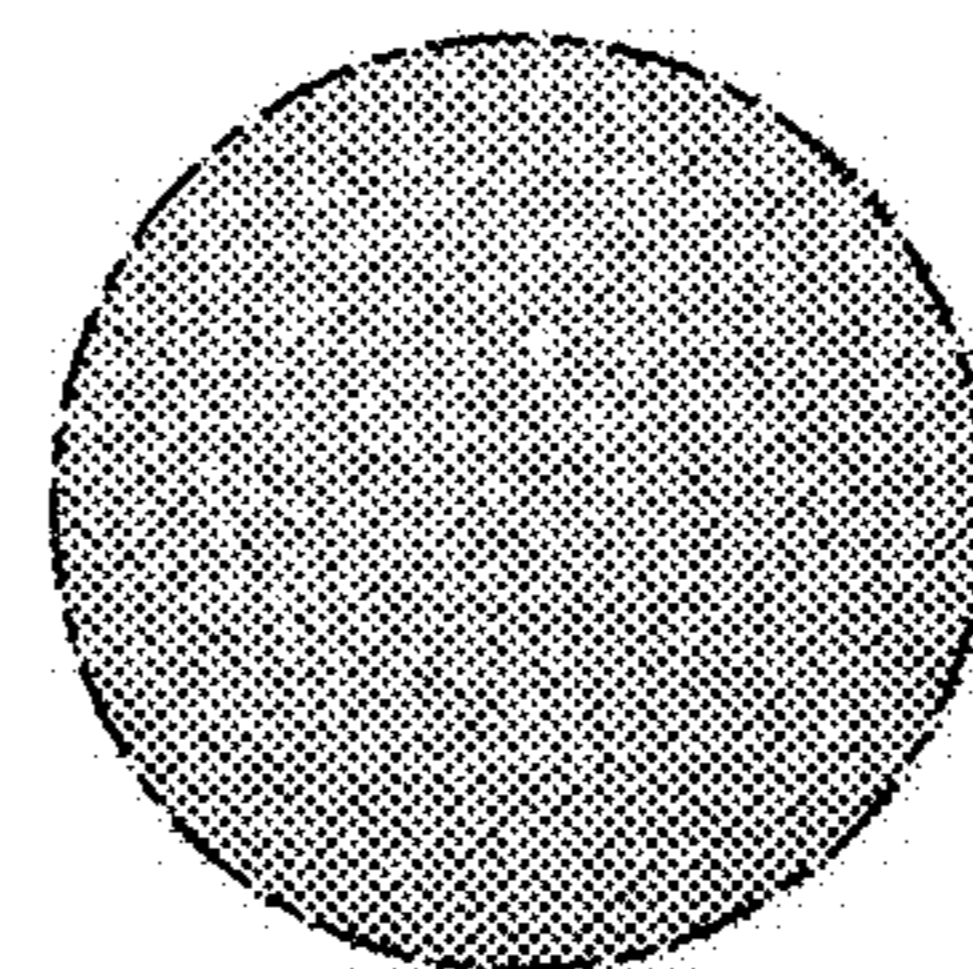


FIG.2

FIG.1

FIG.2



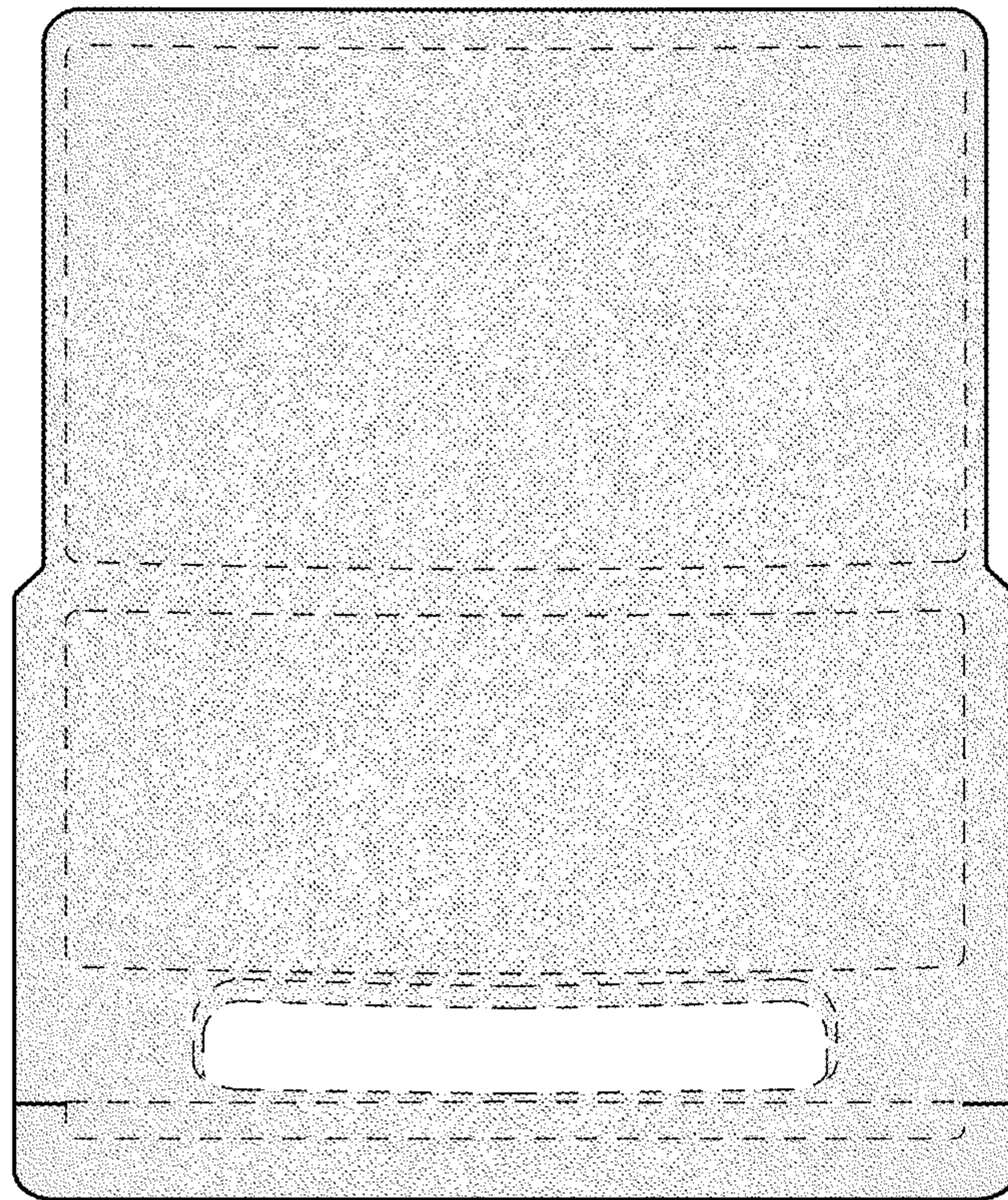


FIG.3

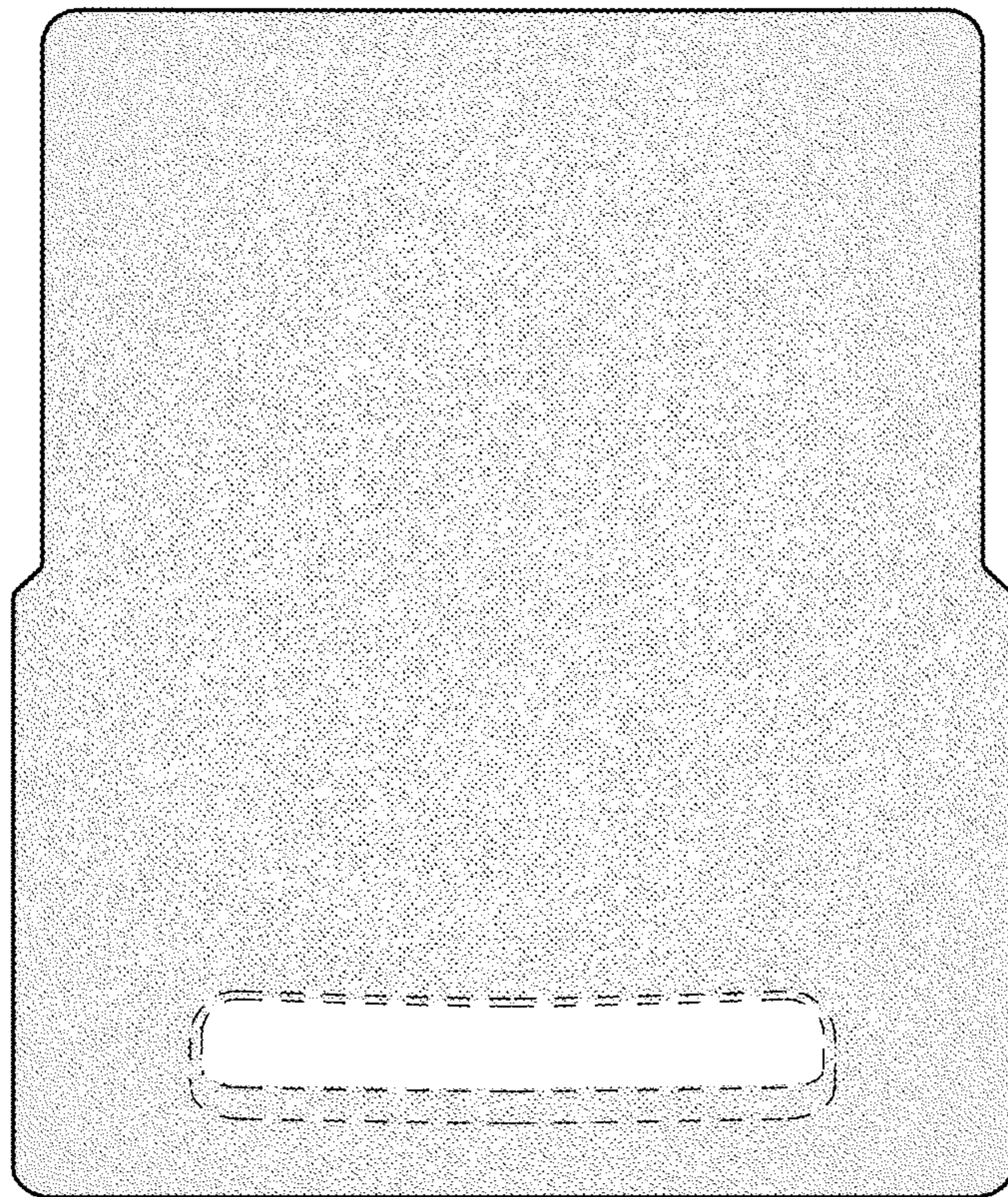


FIG. 4

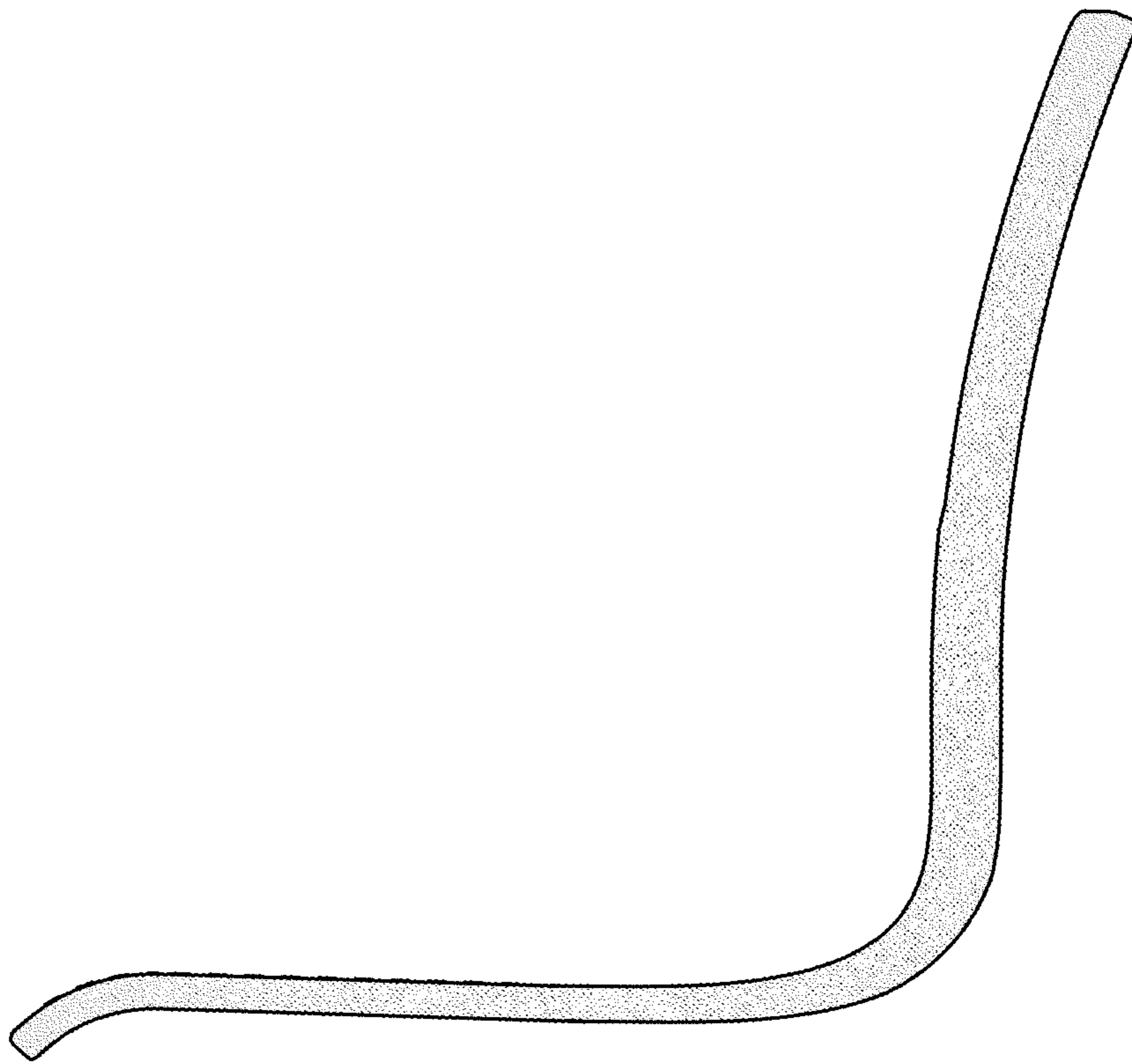


FIG.5

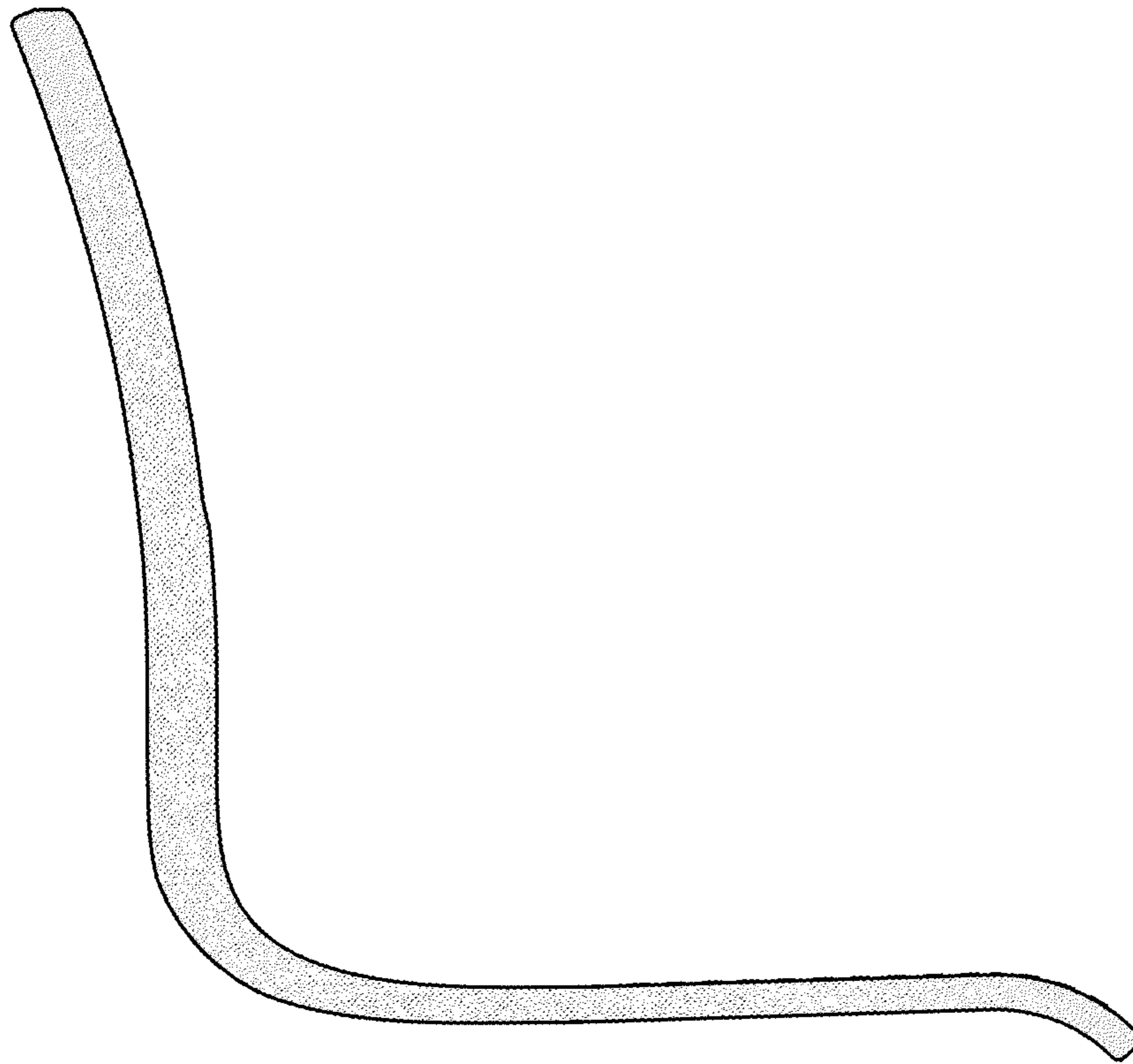


FIG.6

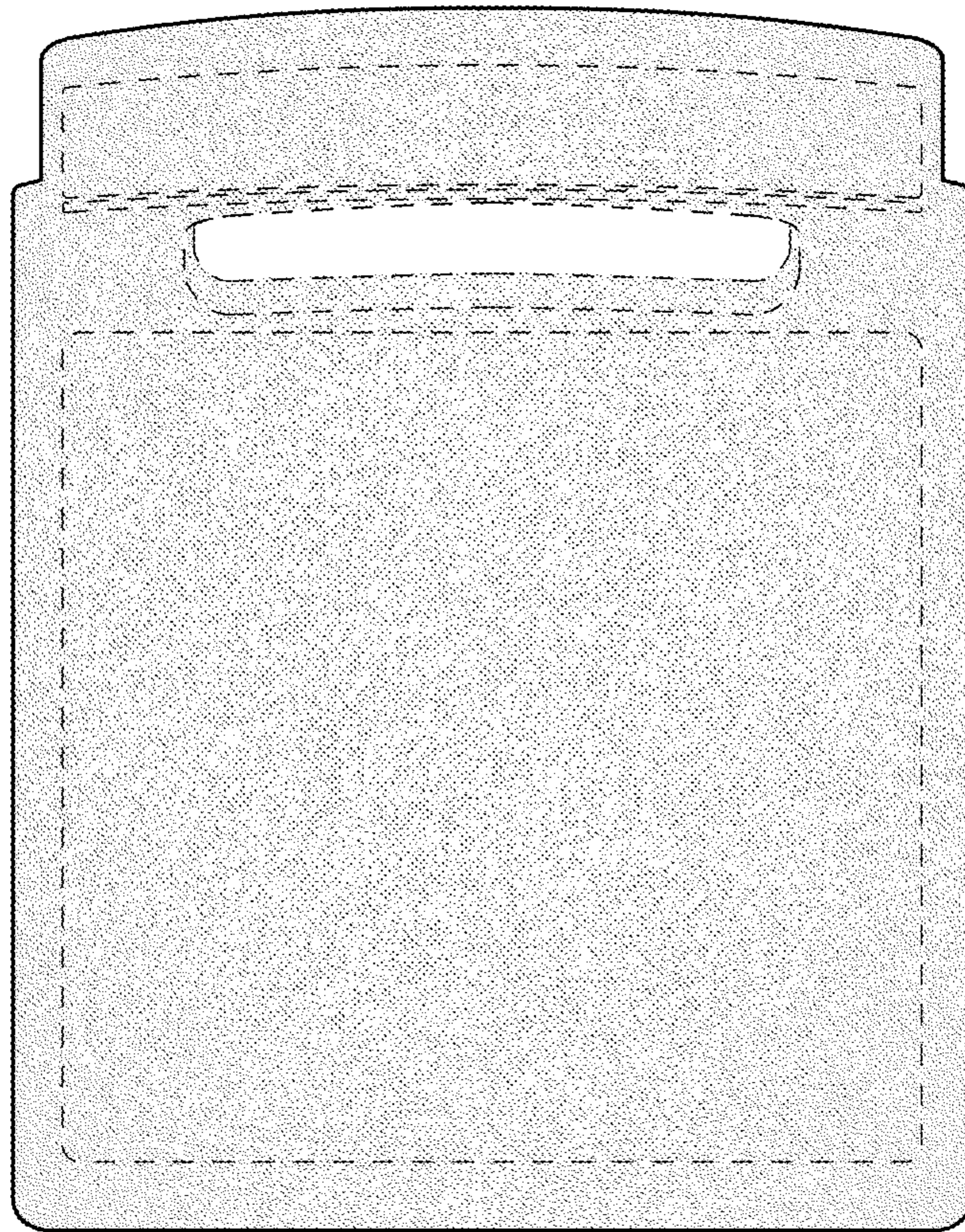


FIG.7

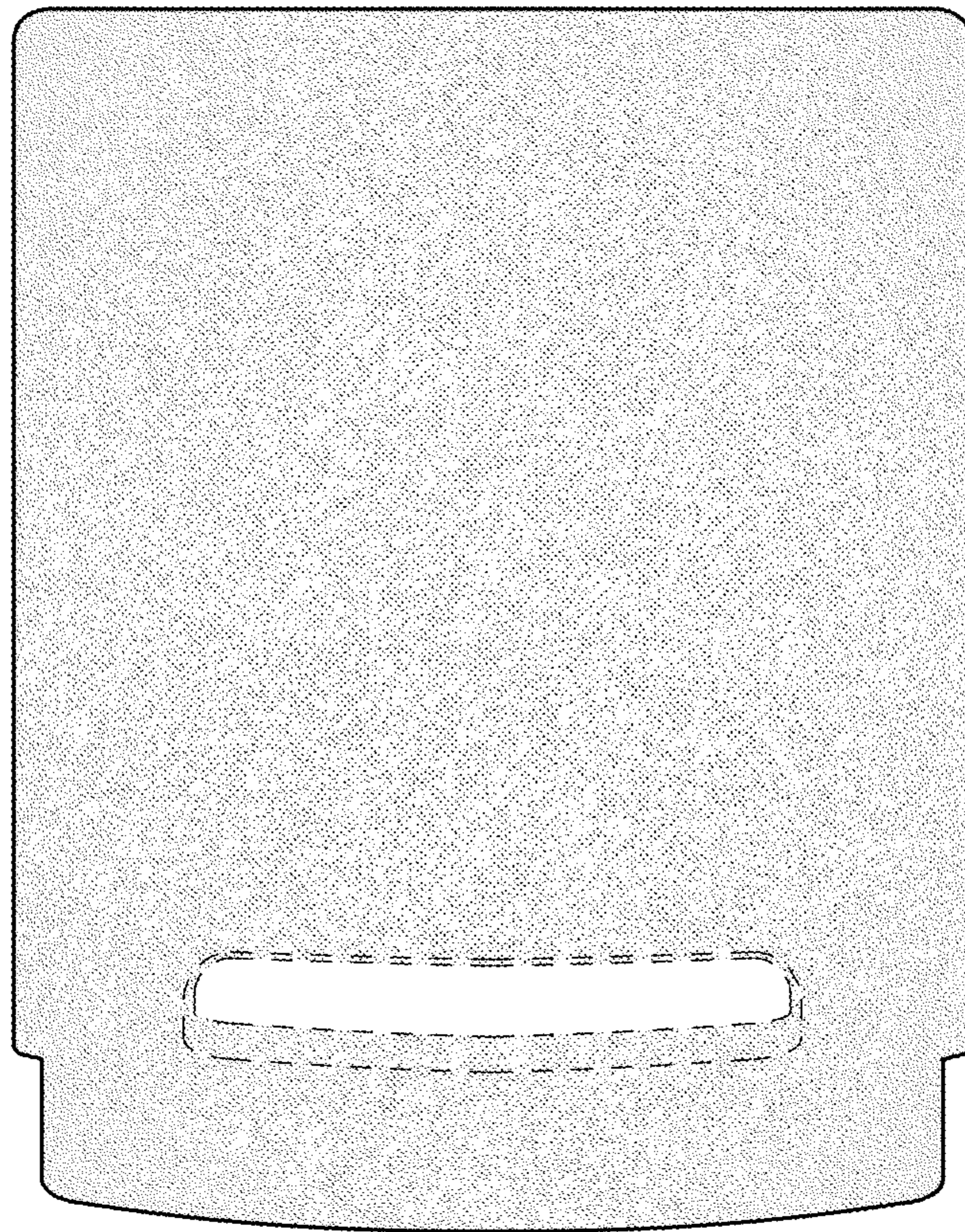


FIG.8