



US00D830091S

(12) **United States Design Patent** (10) **Patent No.:** **US D830,091 S**
Zeitounian (45) **Date of Patent:** **** Oct. 9, 2018**

(54) **TABLE BASE**

(71) Applicant: **Armen Zeitounian**, Los Angeles, CA (US)

(72) Inventor: **Armen Zeitounian**, Los Angeles, CA (US)

(**) Term: **15 Years**

(21) Appl. No.: **29/603,903**

(22) Filed: **May 12, 2017**

(51) **LOC (11) Cl.** **06-06**

(52) **U.S. Cl.**
USPC **D6/708.17**

(58) **Field of Classification Search**
USPC D6/336, 353, 368, 555, 641, 655, 655.1, D6/663, 664, 657, 672, 675, 675.1, 675.3, D6/686, 687, 688.11, 688.19, 691, 691.1, D6/691.9, 692, 692.2, 692.5, 692.6, 707, D6/707.12, 707.18, 707.19, 707.2, 708, D6/708.16, 708.17, 708.24, 709, 709.18, D6/709.19
CPC .. A47B 37/00; A47B 3/00; A47B 1/00; A47B 3/06; A47B 3/08; A47B 7/00; A47B 21/00; A47B 23/00; A47B 25/00; A47B 13/08; A47B 3/083; A47B 3/14; A47B 41/00; A47B 17/00; A47B 3/0809; A47B 3/0812; A47B 2013/026; A47B 2200/03; A47B 2200/00; A47B 2003/0821; A47C 3/045

See application file for complete search history.

(56) **References Cited**

U.S. PATENT DOCUMENTS

D166,998 S * 6/1952 Rasmussen D6/672
3,685,466 A * 8/1972 Mehnert A47B 3/06
108/156
D242,003 S * 10/1976 Faber D6/691
D265,450 S * 7/1982 Berryman D6/691

D277,351 S * 1/1985 Offredi D6/691
D277,438 S * 2/1985 Passarello D6/691
D461,071 S * 8/2002 Diaz-Azcuy D6/708
D514,356 S * 2/2006 Ng D6/691
D557,944 S * 12/2007 Cheng D6/708
D729,557 S * 5/2015 Jiang D6/691
D737,614 S * 9/2015 Legare D6/708

OTHER PUBLICATIONS

Modern table 3d, posted at Dreamstime.com, posted on Aug. 28, 2015, site visited Jun. 1, 2018. online, available from internet: https://tineye.com/search/b51932c0814b898a05be96d2c83deca82dbb2133/?sort=crawl_date&order=asc.*
T2ec16r, posted at Bonanza.com, posted on Jan. 12, 2014, site visited Jun. 1, 2018. online, available from internet: https://tineye.com/search/1916fd349ba83d516e74160e0a9f980875d79af4/?sort=crawl_date&order=asc.*

* cited by examiner

Primary Examiner — Mary Ann Calabrese
Assistant Examiner — Catherine Ho
(74) *Attorney, Agent, or Firm* — Milord A. Keshishian

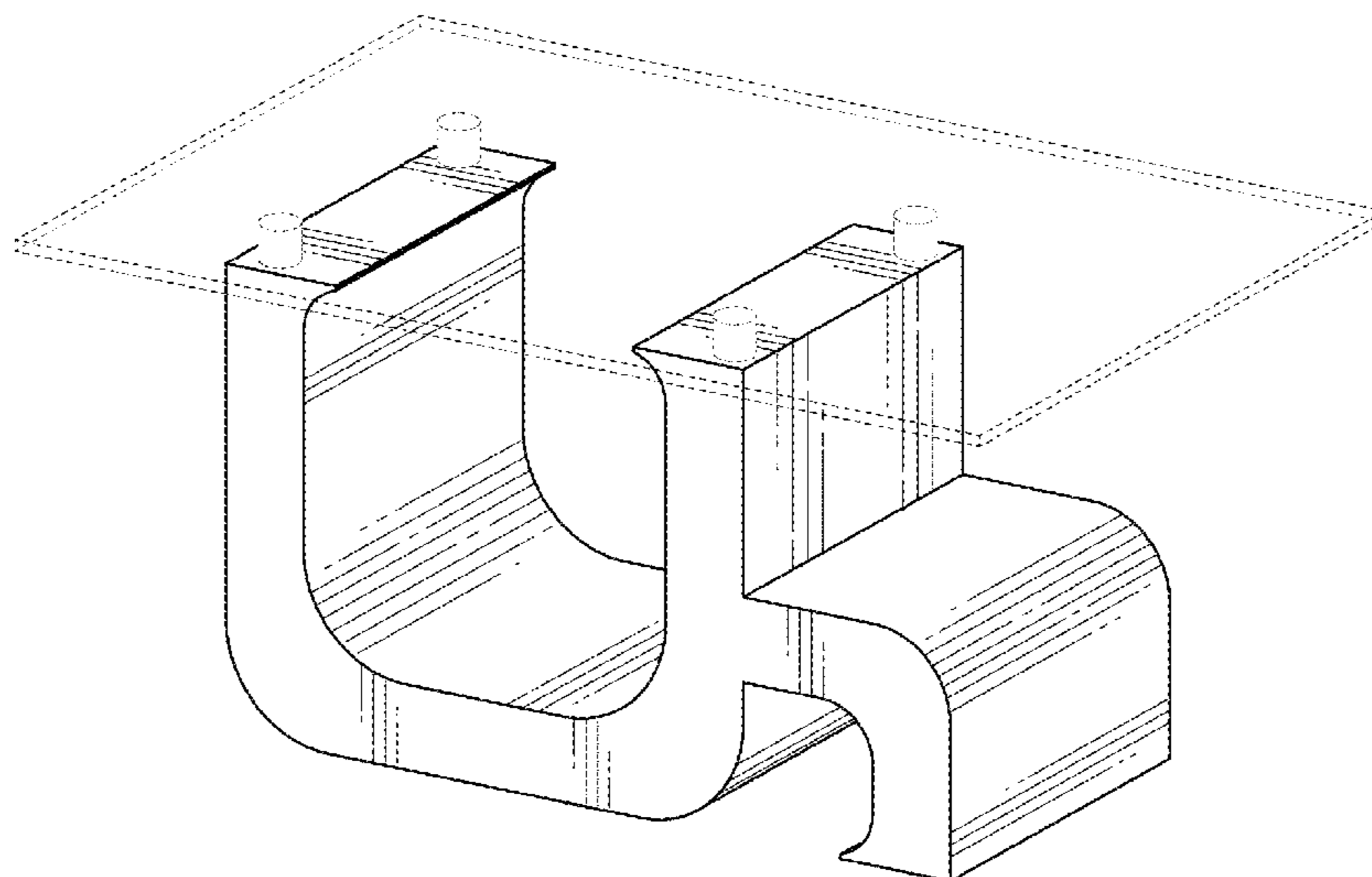
(57) **CLAIM**

The ornamental design for a table base, as shown and described.

DESCRIPTION

FIG. 1 is a perspective view showing the front, top and right sides of the table base;
FIG. 2 is a bottom plan view thereof;
FIG. 3 is a top plan view thereof;
FIG. 4 is a rear elevational view thereof;
FIG. 5 is a front elevational view thereof;
FIG. 6 is a right elevational view thereof; and,
FIG. 7 is a left elevational view thereof.
The broken lines in the figures show portions of the table base that form no part of the claimed design.

1 Claim, 4 Drawing Sheets



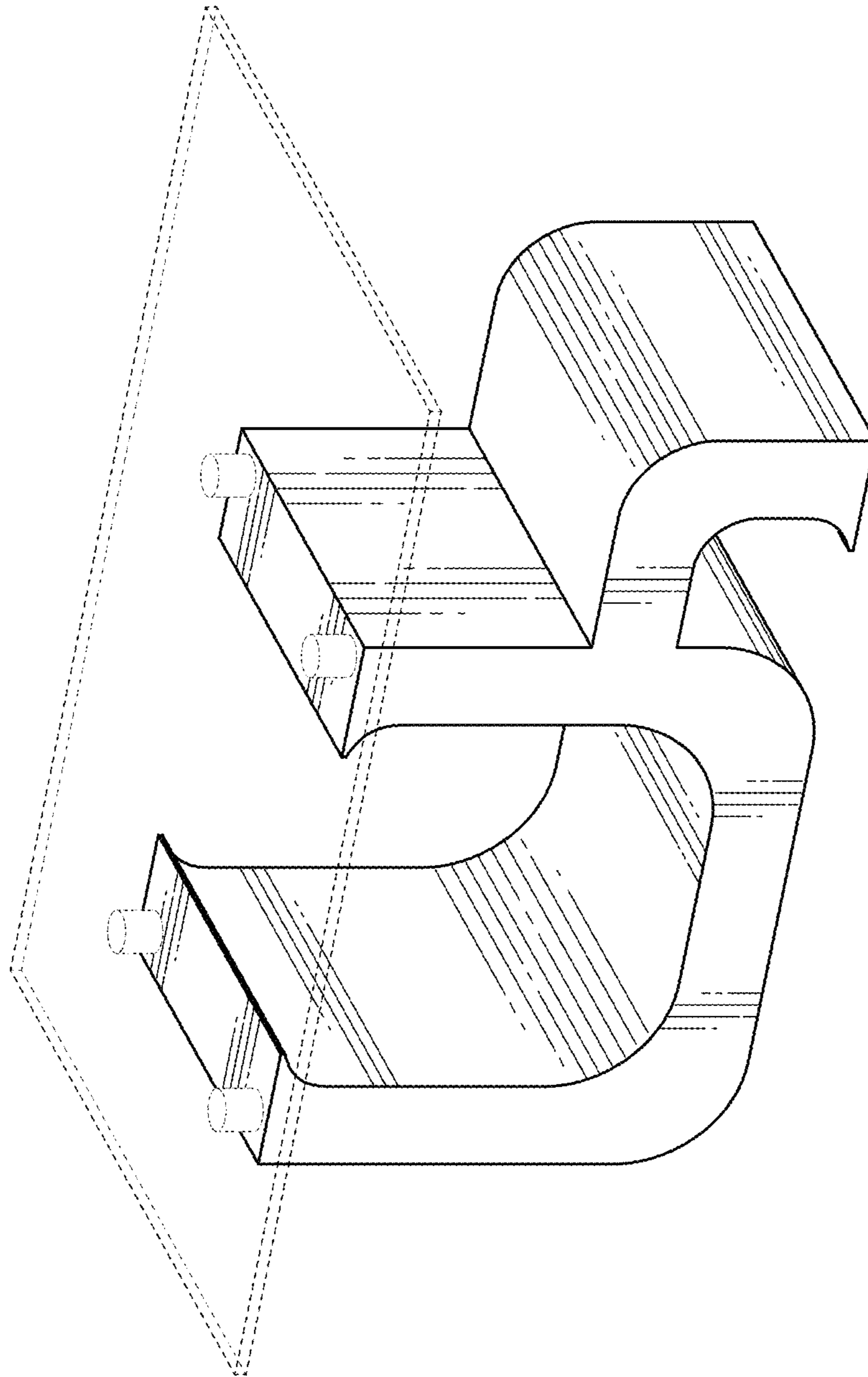


FIG. 1

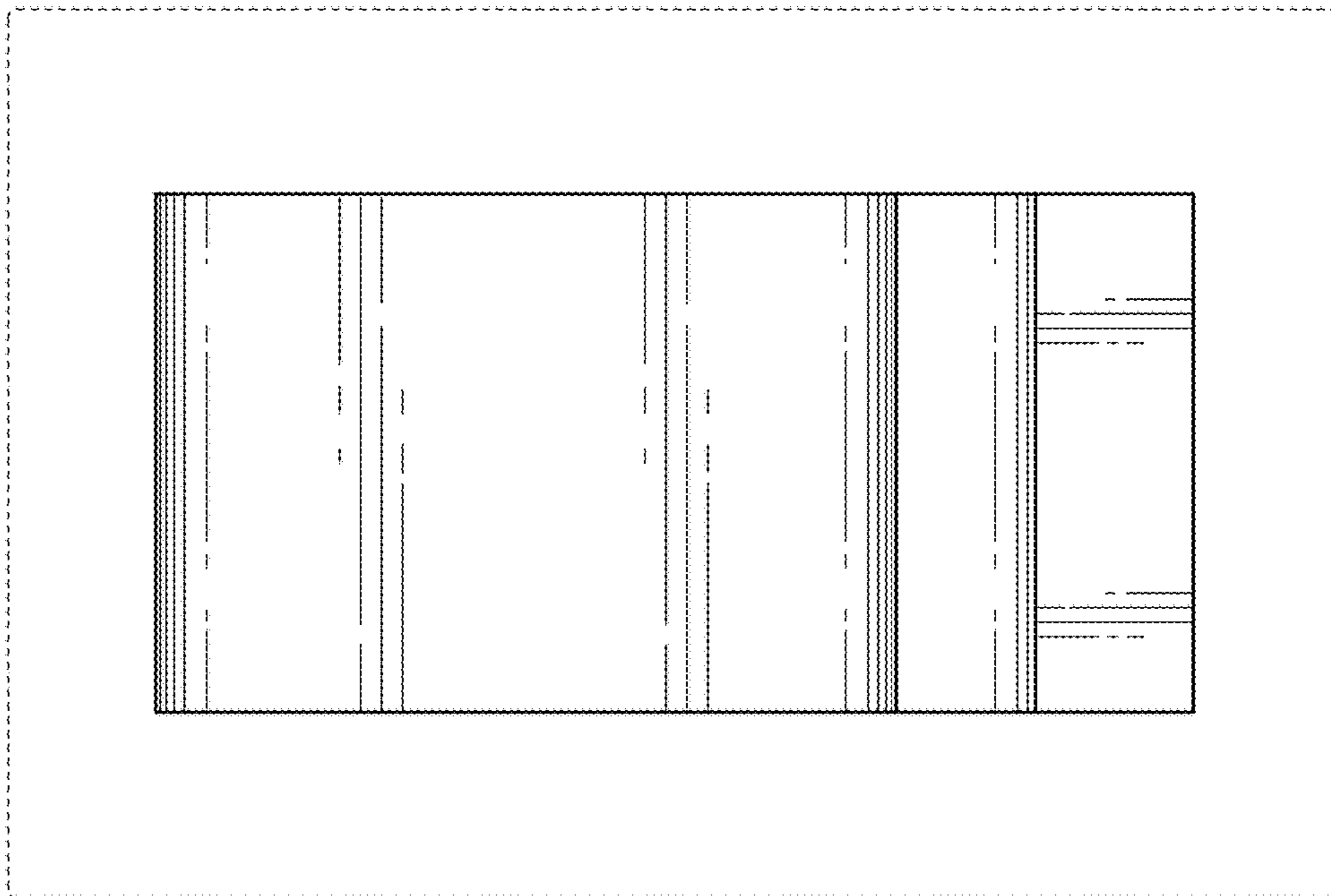


FIG. 2

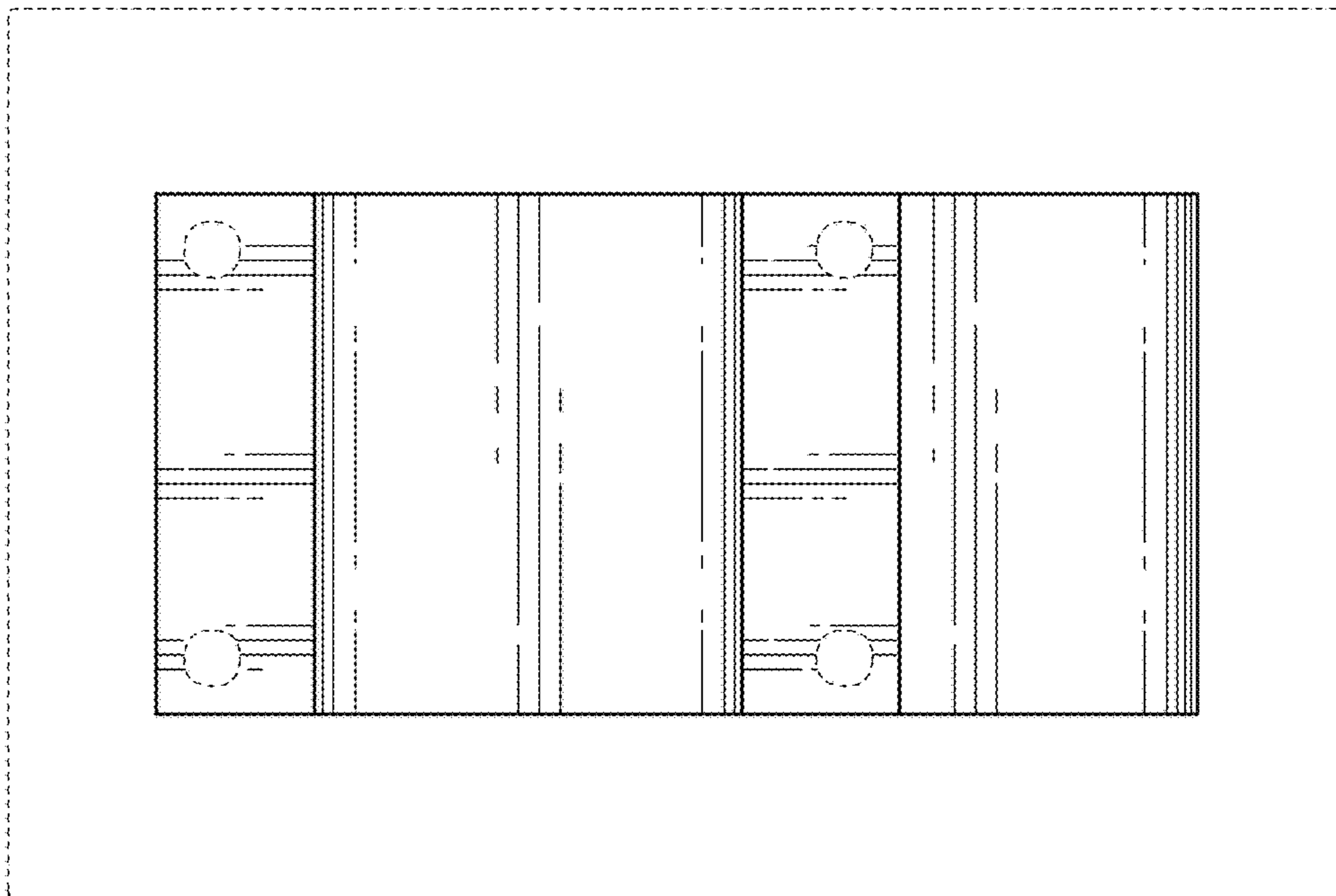


FIG. 3

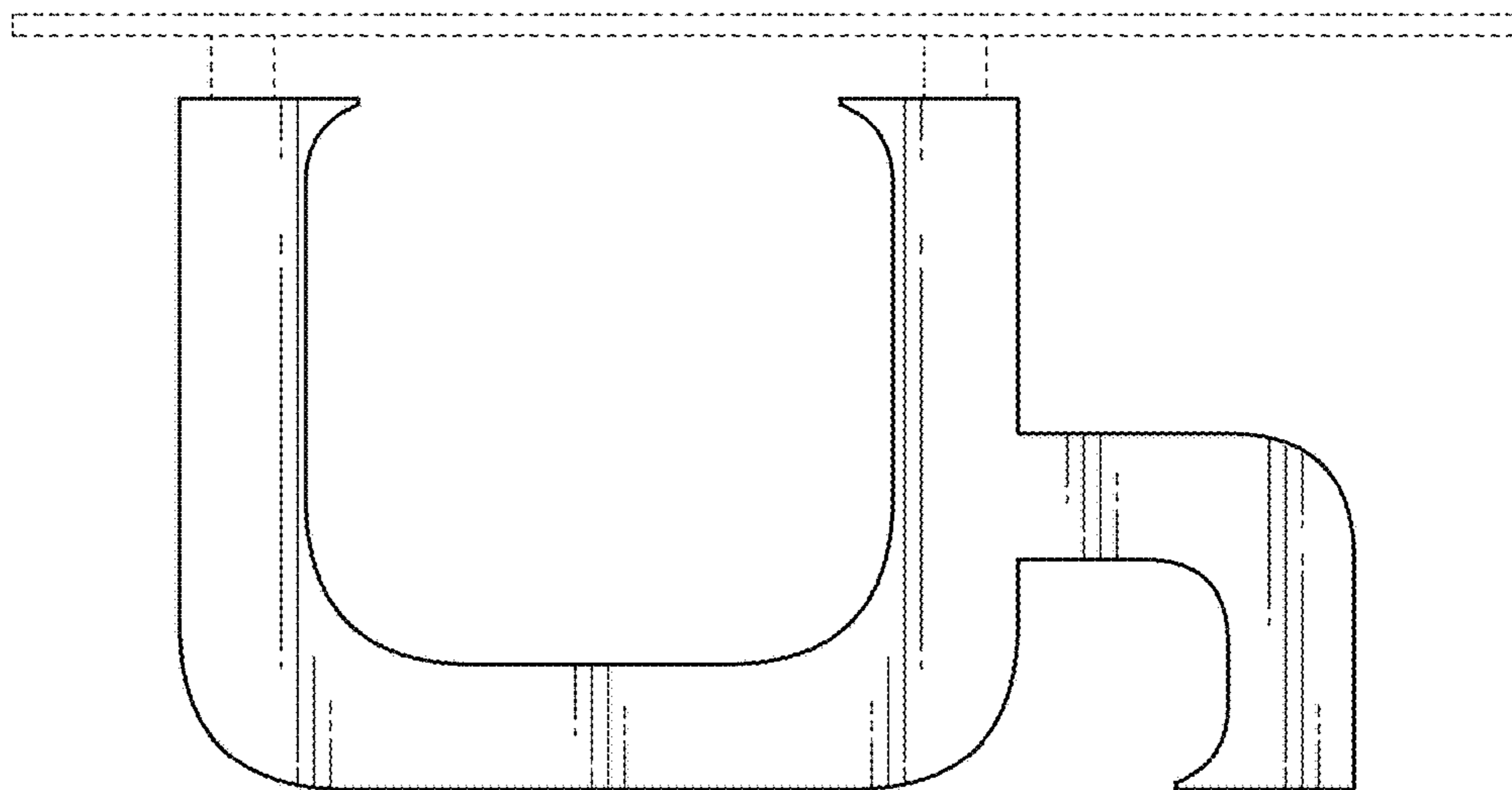


FIG. 5

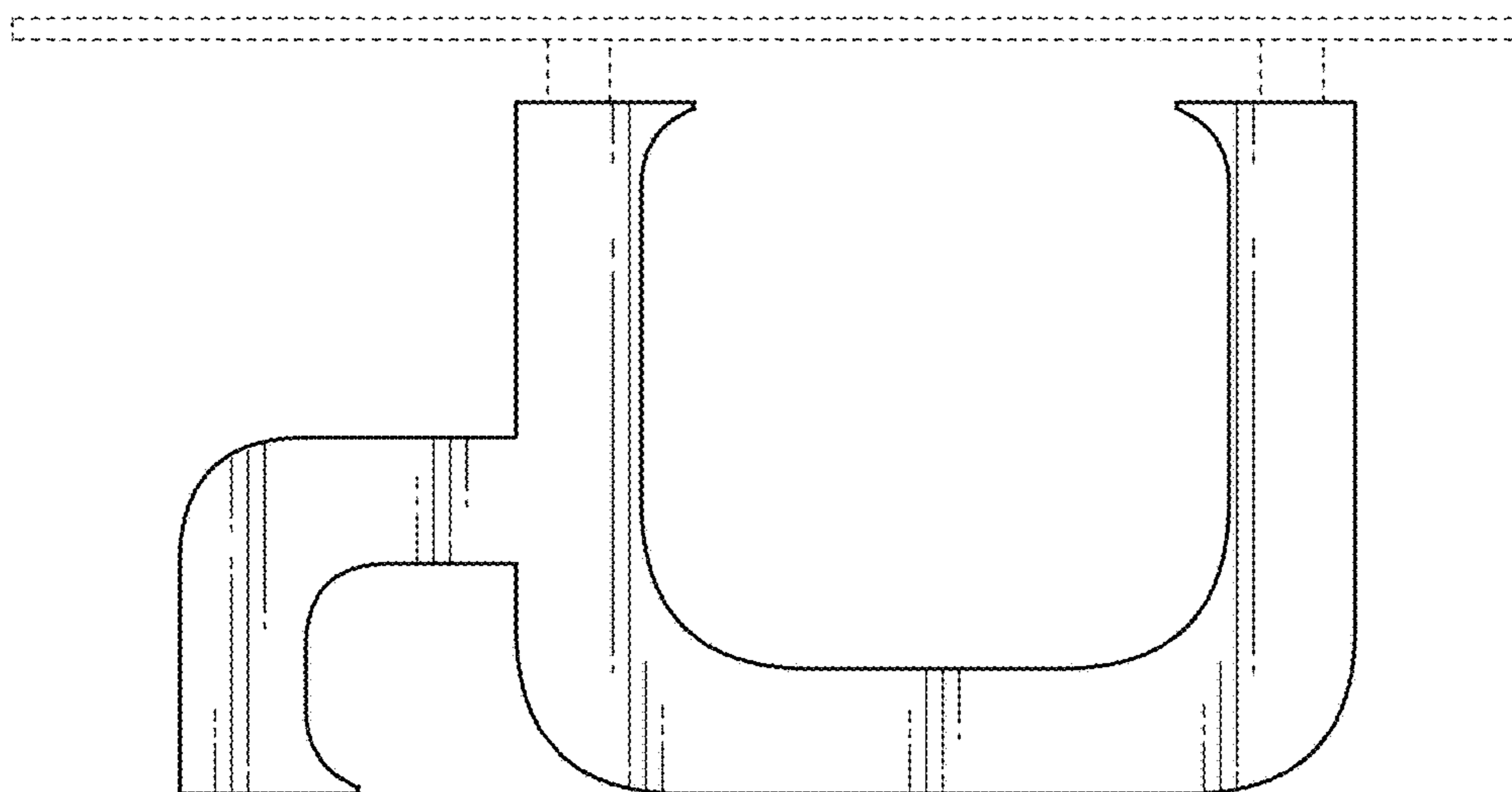


FIG. 4

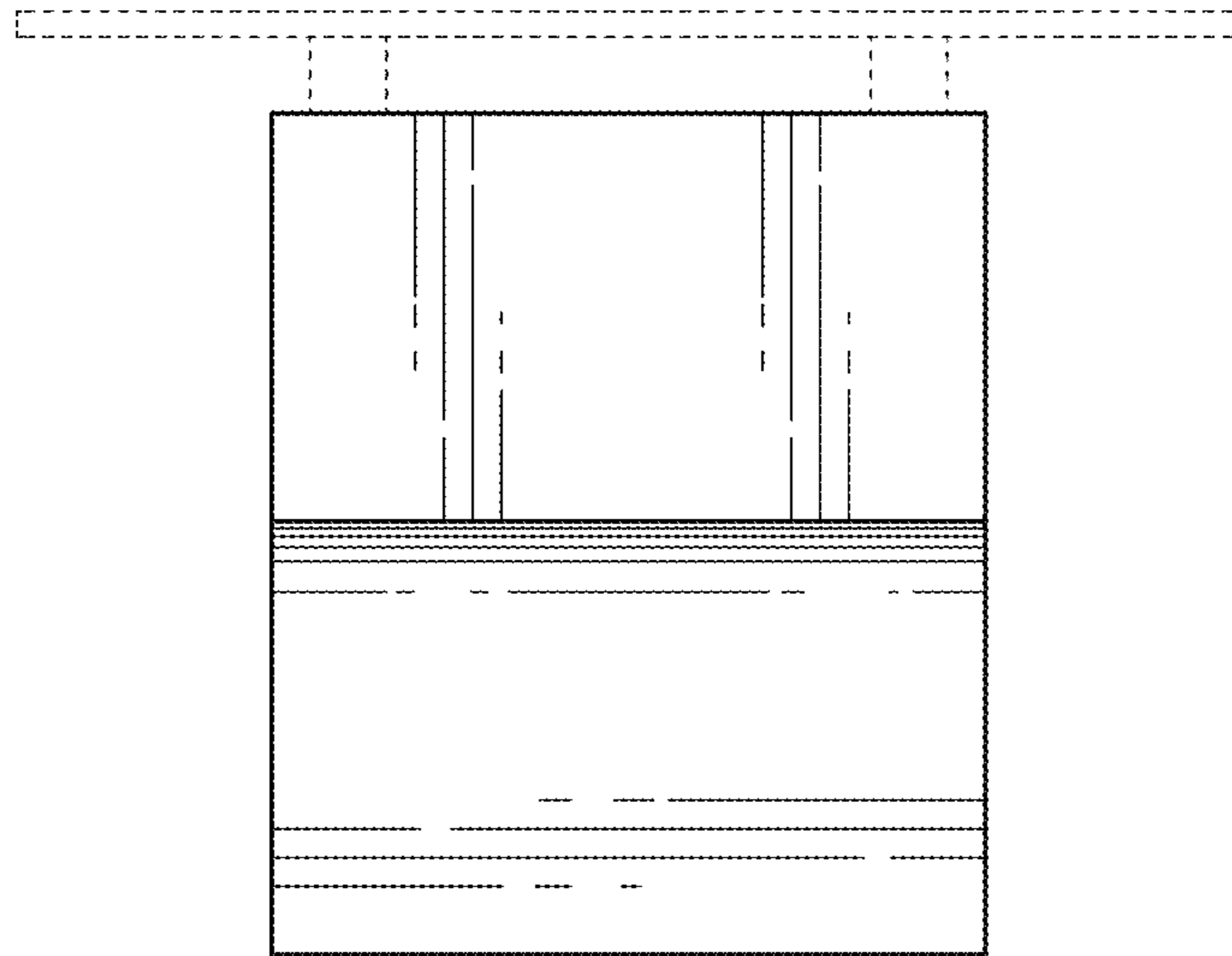


FIG. 6

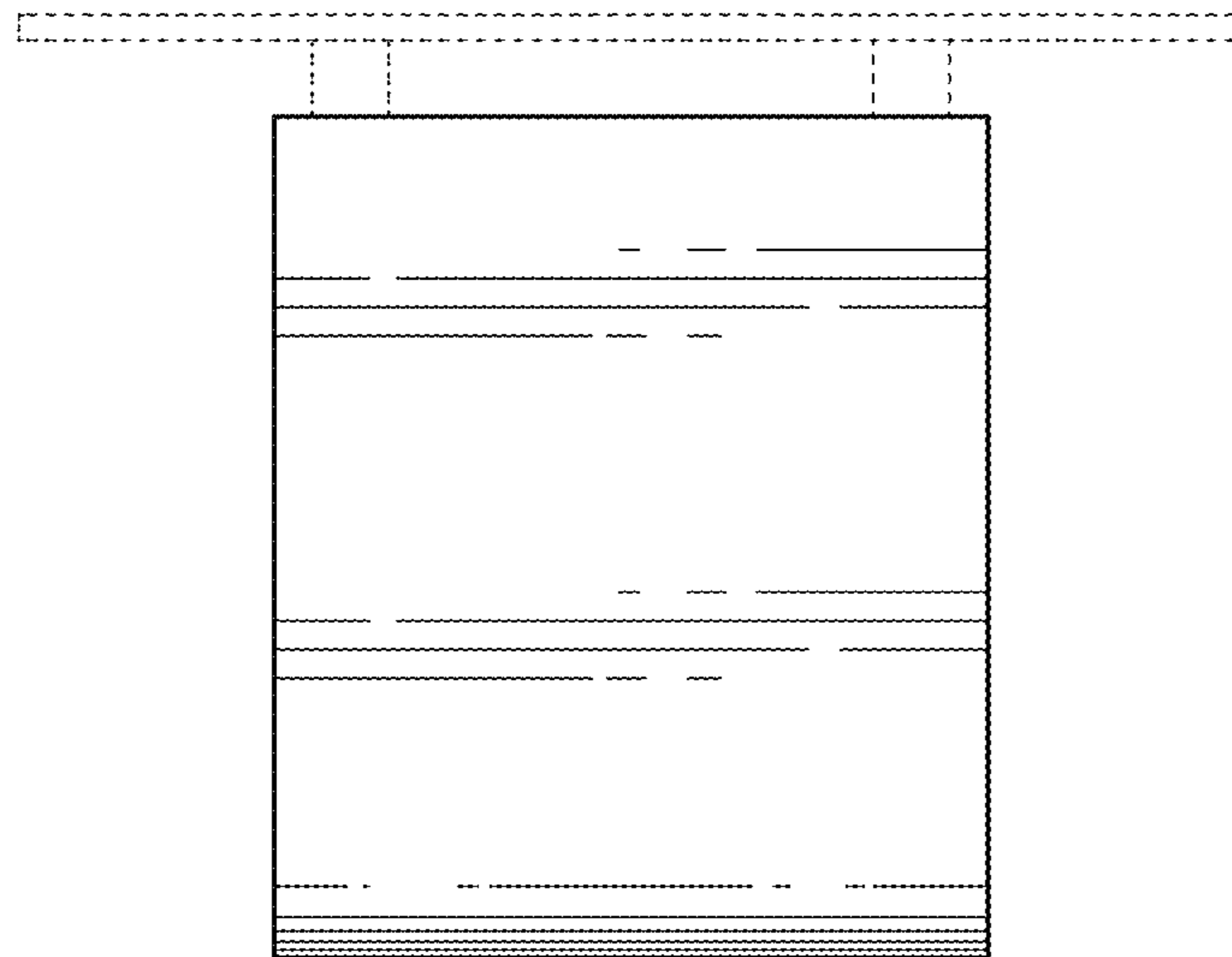


FIG. 7