



US00D830090S

(12) **United States Design Patent**
Eteläaho et al.

(10) **Patent No.:** **US D830,090 S**
(45) **Date of Patent:** **** Oct. 9, 2018**

(54) **RACK SYSTEM**

(71) Applicant: **Notta Systems Oy**, Seinäjoki (FI)

(72) Inventors: **Janne Eteläaho**, Tuomikylä (FI); **Jari Kinnari**, Laihia (FI)

(73) Assignee: **Notta Systems Oy**, Seinäjoki (FI)

(**) Term: **15 Years**

(21) Appl. No.: **29/595,472**

(22) Filed: **Feb. 28, 2017**

(30) **Foreign Application Priority Data**

Aug. 30, 2016 (EM) 003357359-0001

(51) **LOC (11) Cl.** **06-04**

(52) **U.S. Cl.**
USPC **D6/681.2**

(58) **Field of Classification Search**
USPC D6/672, 675, 675.1, 675.2, 675.3, 675.4,
D6/675.5, 678.2, 679, 680, 680.2, 680.3,
D6/681, 681.2, 681.3, 683, 683.1
CPC A47B 43/00; A47B 43/003; A47B 46/00;
A47B 46/005; A47B 47/00; A47B 49/00;
A47B 57/00; A47F 5/00; A47F 5/0018;
A47F 5/01; A47F 5/16; A47F 7/00
See application file for complete search history.

3,827,376 A * 8/1974 Solomon A47B 31/04
108/177

D242,751 S * 12/1976 Wells D6/680

D243,906 S * 4/1977 Ware D11/144

D258,790 S * 4/1981 Ovitz, III D6/682

D272,027 S * 1/1984 Hagberg D6/678.3

D272,400 S * 1/1984 Persch D6/629

D295,931 S * 5/1988 Bezzerides D6/675.2

D367,372 S * 2/1996 Eng D6/672

D400,738 S * 11/1998 Bustos D6/672

5,987,812 A * 11/1999 Knell A47G 7/041
47/18

D437,708 S * 2/2001 Bargmann D6/673

6,267,064 B1 * 7/2001 Ostertag A47B 13/021
108/108

D486,982 S * 2/2004 Hessell D6/675.4

D498,607 S * 11/2004 Hocking D6/675.2

D573,811 S * 7/2008 Weigand D6/682

D598,220 S * 8/2009 Sparkowski D6/675.2

D732,304 S * 6/2015 Nunez D6/405

D781,080 S * 3/2017 Jordan D6/675.1

D784,052 S * 4/2017 Rodriguez D6/675.2

* cited by examiner

Primary Examiner — John Windmuller
Assistant Examiner — Steven J Czyz
(74) *Attorney, Agent, or Firm* — FisherBroyles, LLP

(57) **CLAIM**

The ornamental design for a rack system, as shown and described.

DESCRIPTION

FIG. 1 is an isometric view of the rack system;
FIG. 2 is a top view of the rack system;
FIG. 3 is an isometric rear view of the rack system;
FIG. 4 is a front view of the rack system;
FIG. 5 is a rear view of the rack system;
FIG. 6 is a bottom view of the rack system; and,
FIG. 7 is an isometric bottom view of the rack system.

1 Claim, 7 Drawing Sheets

(56) **References Cited**

U.S. PATENT DOCUMENTS

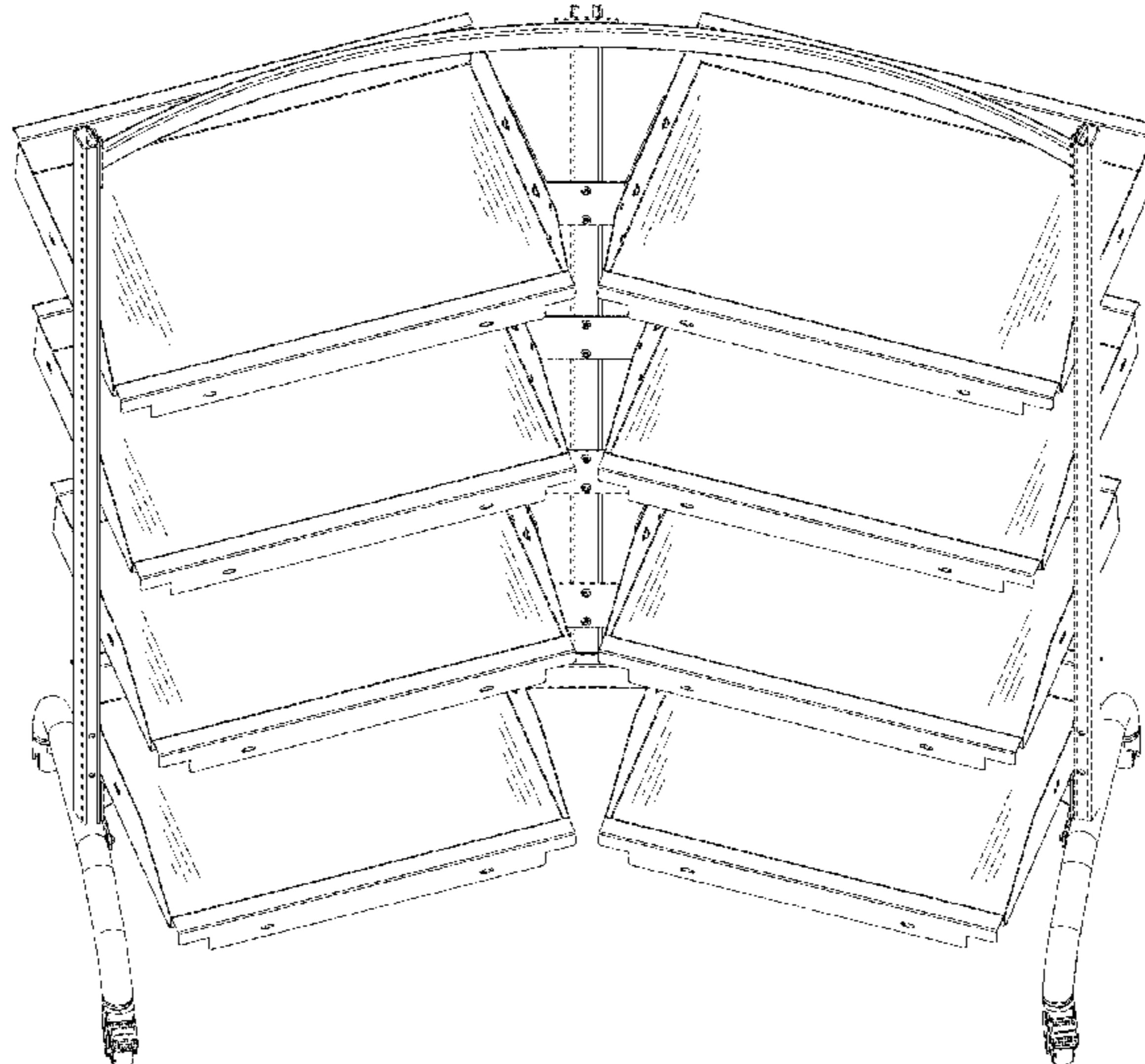
D115,103 S * 6/1939 Erickson et al. D6/675.2

D116,797 S * 9/1939 Erickson et al. D6/675.1

D196,624 S * 10/1963 Gelles et al. D6/675.1

3,538,862 A * 11/1970 Patriarca A47B 57/485
108/144.11

3,664,063 A * 5/1972 Ware A01G 9/022
108/23



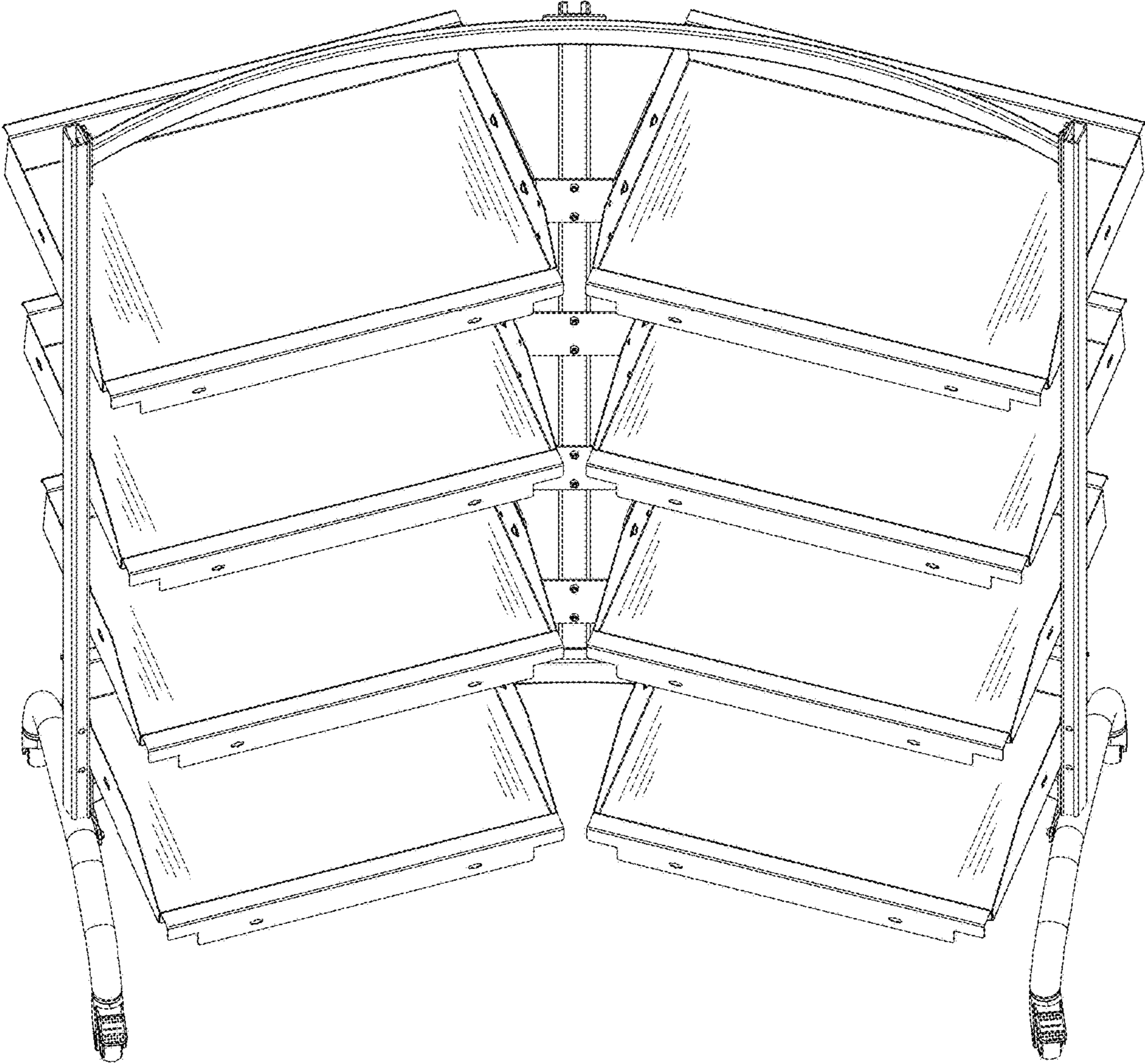


Fig. 1

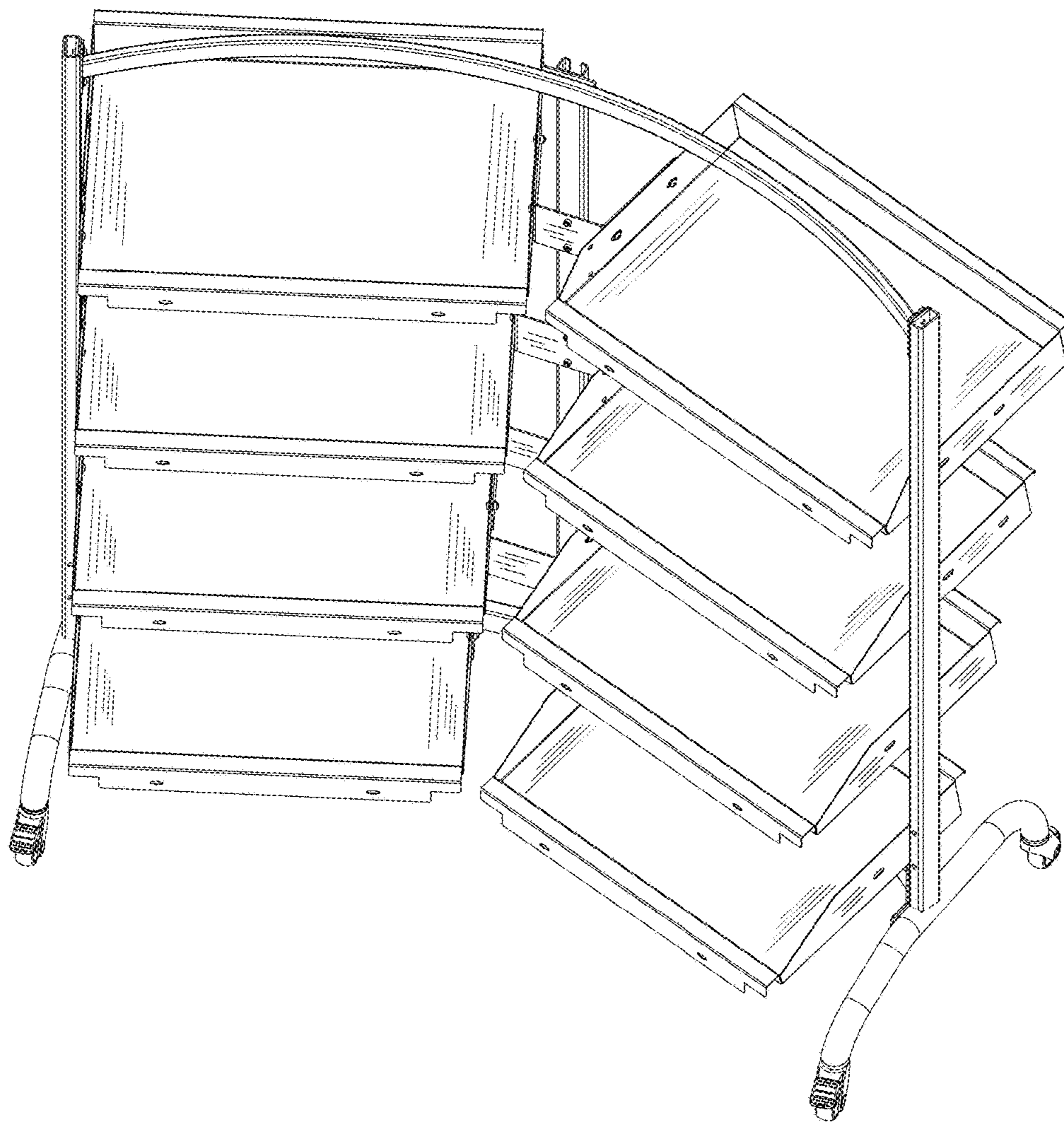


Fig. 2

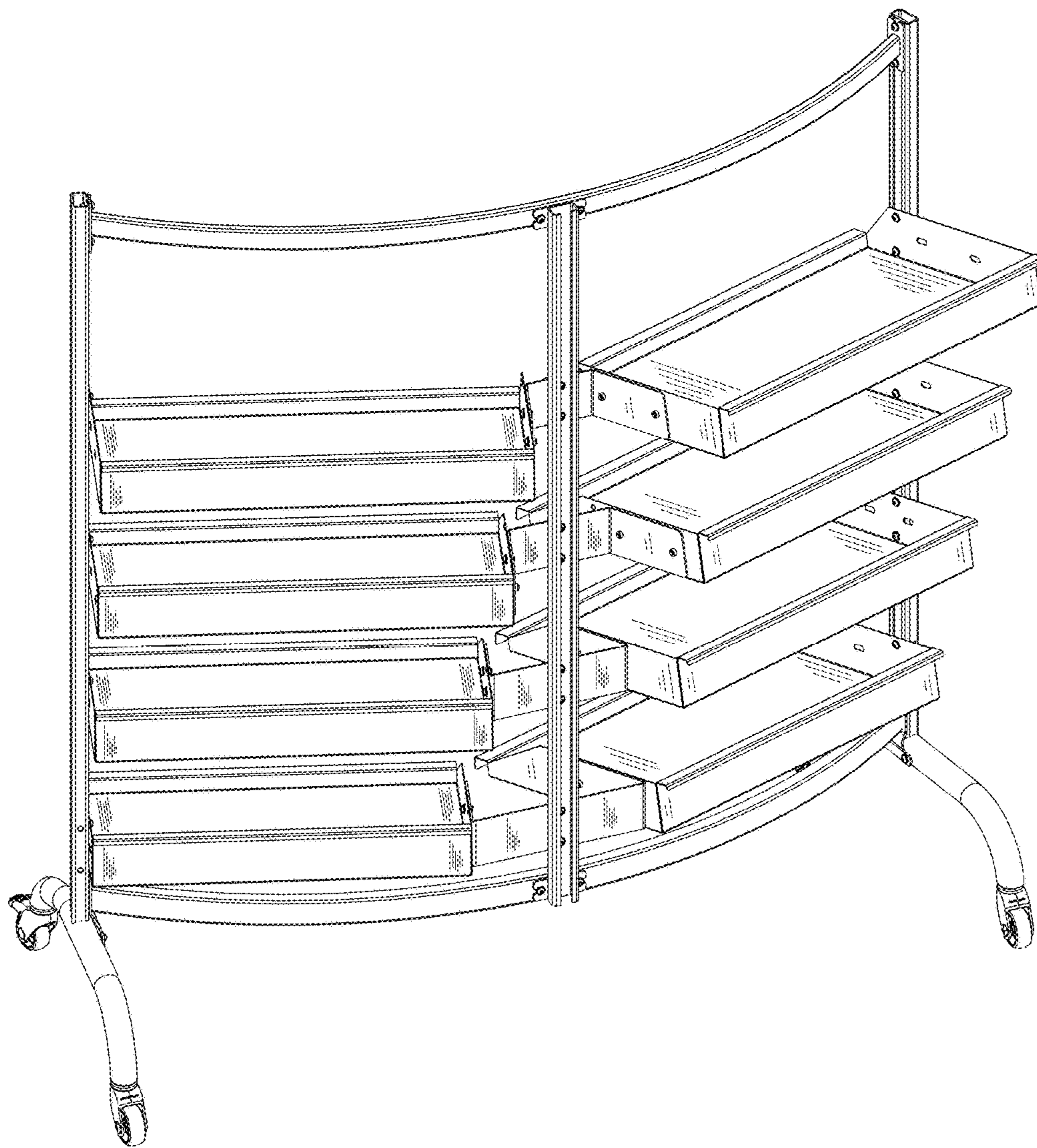


Fig. 3

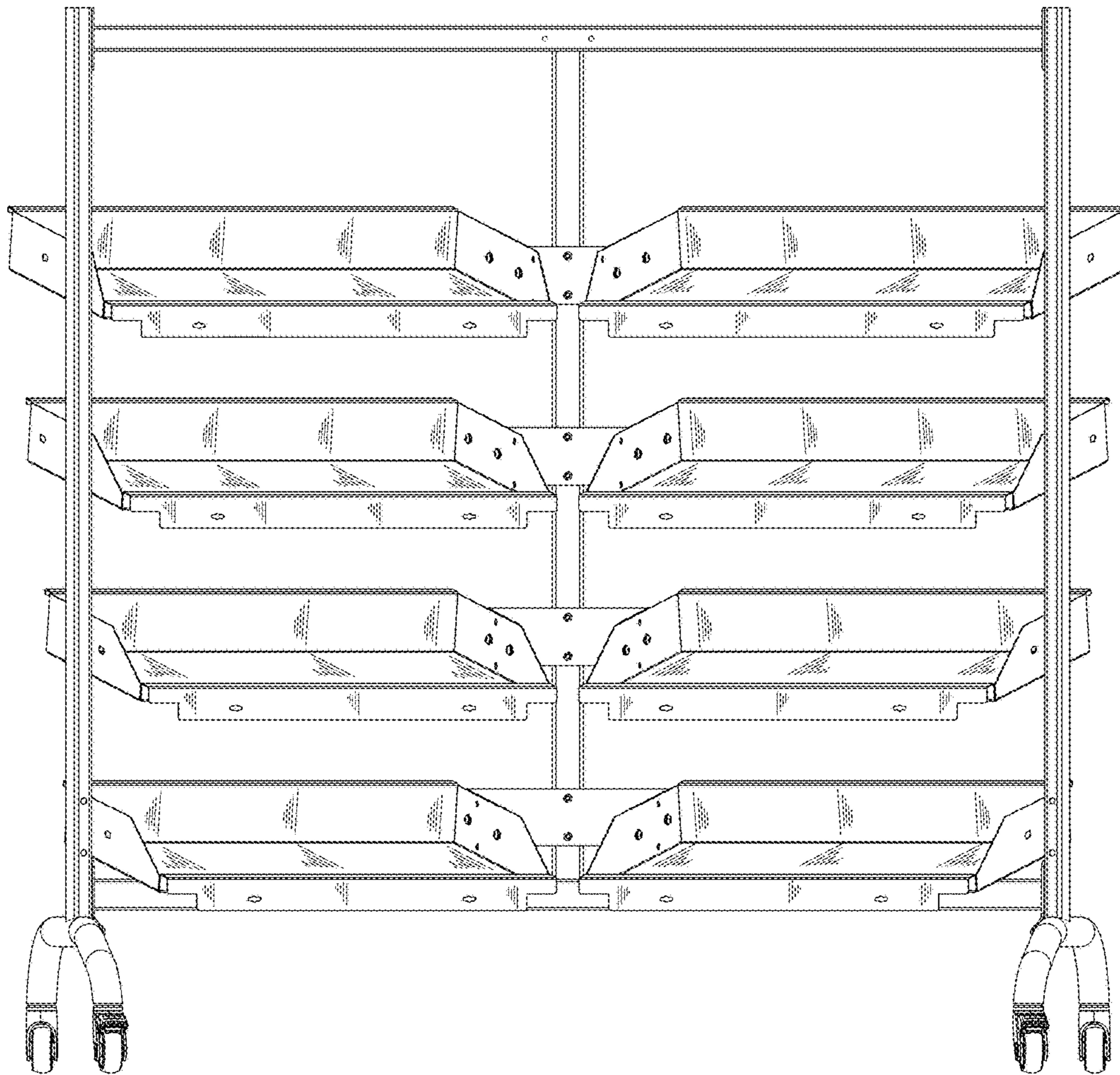


Fig. 4

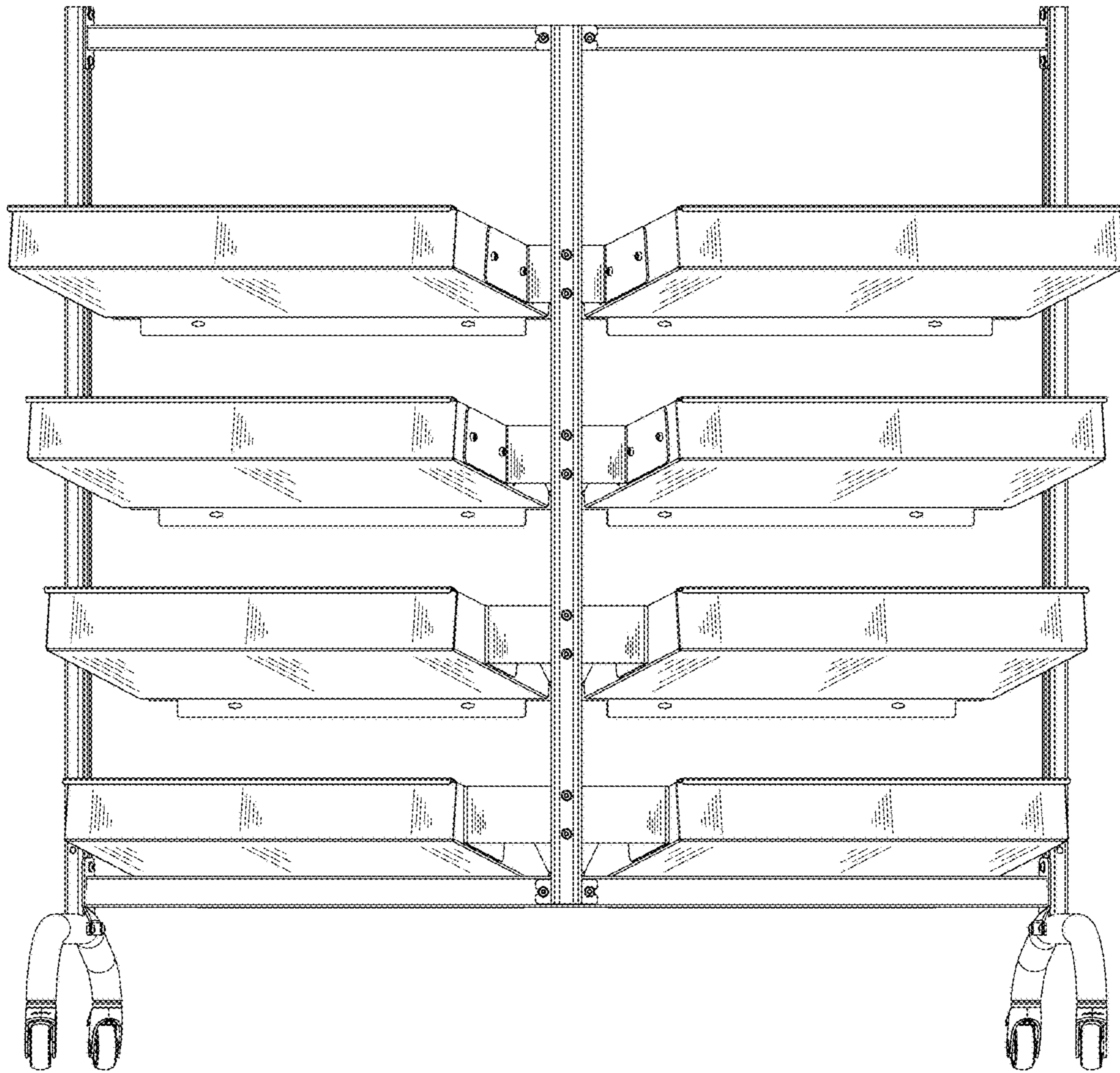


Fig. 5

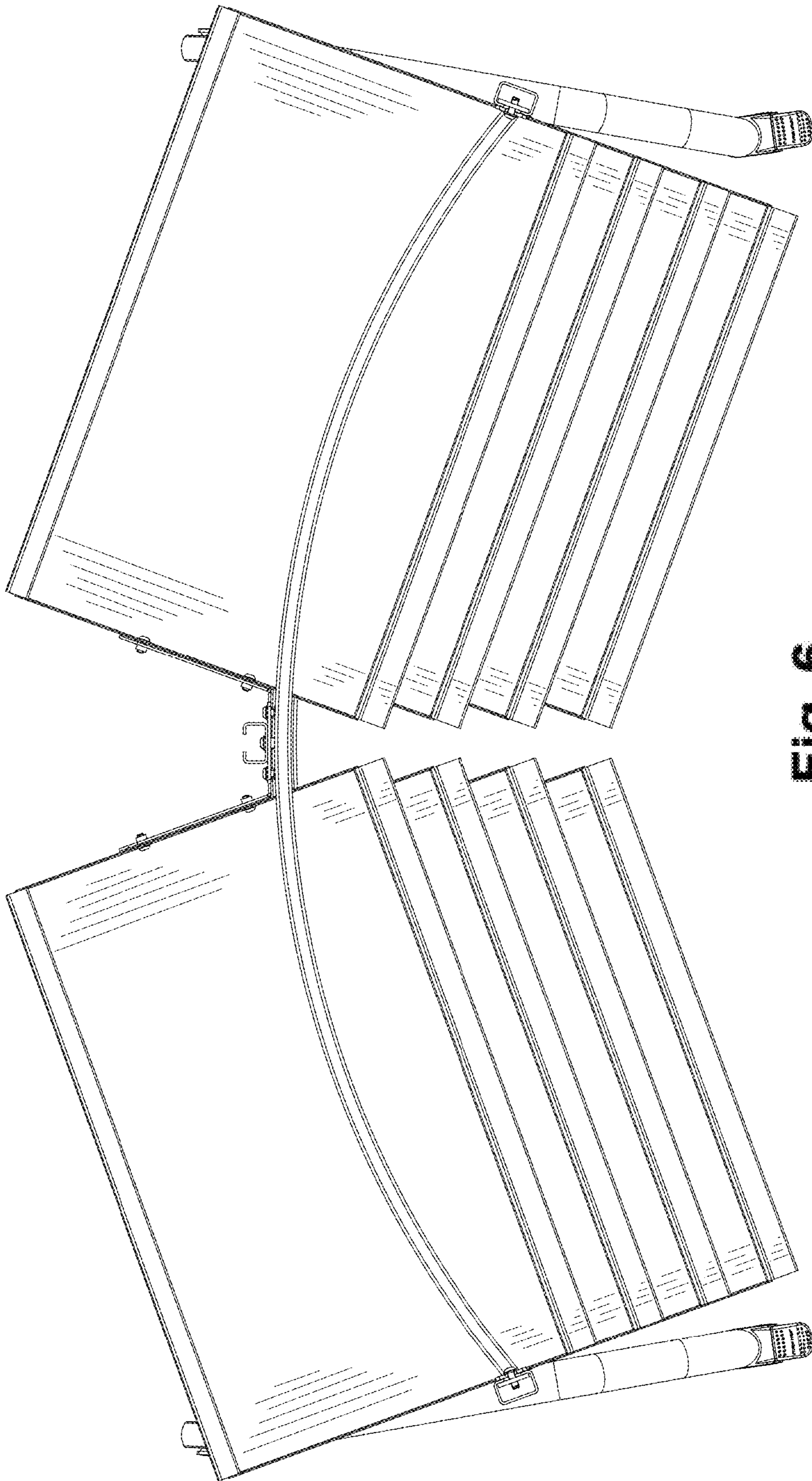


Fig. 6

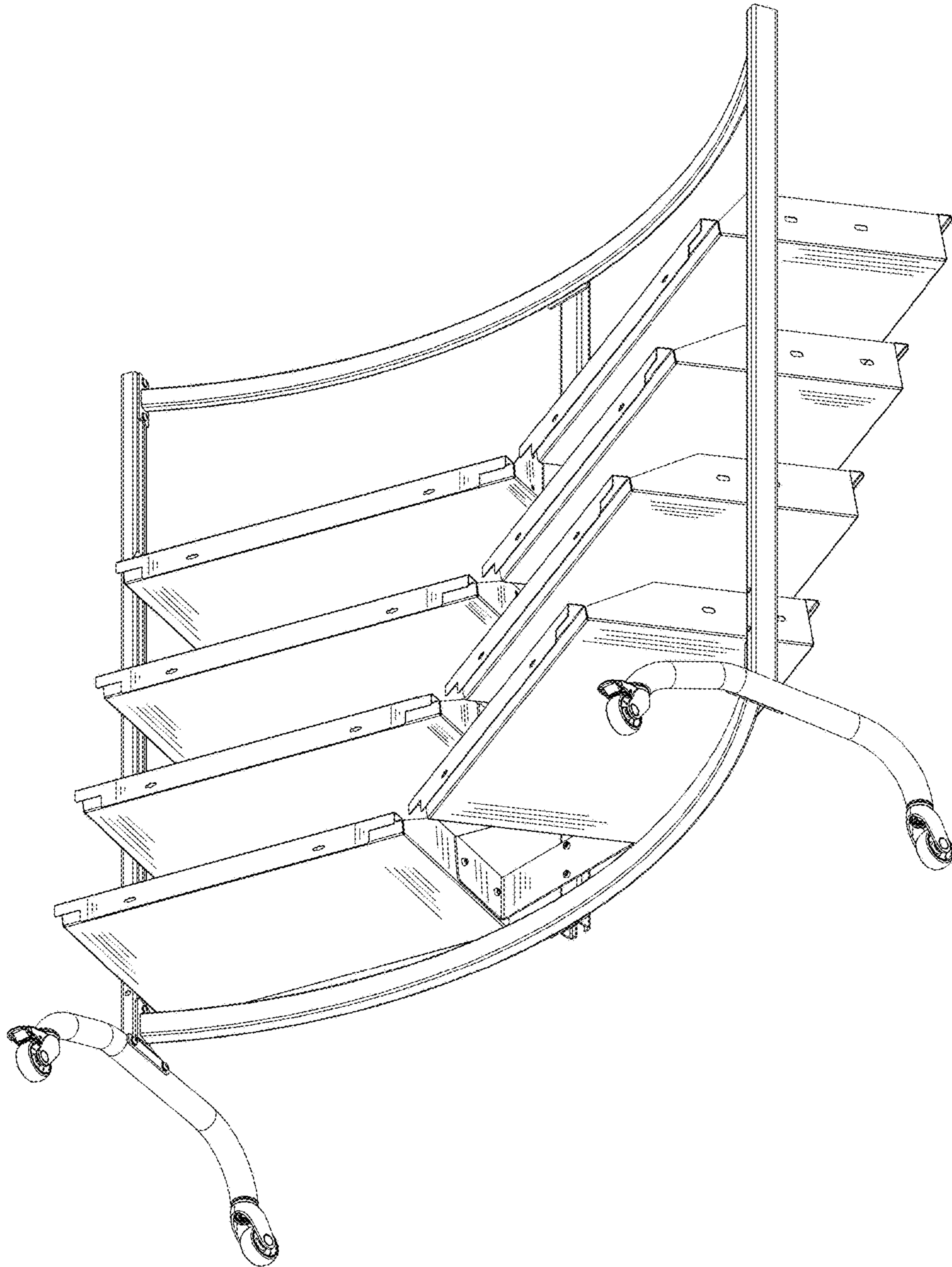


Fig. 7