



US00D830087S

(12) **United States Design Patent** (10) **Patent No.:** **US D830,087 S**
Greenspon et al. (45) **Date of Patent:** **** Oct. 9, 2018**

(54) **SHOE RACK**

(71) Applicant: **Honey-Can-Do International, LLC**,
Berkeley, IL (US)

(72) Inventors: **Steven B. Greenspon**, Berkeley, IL
(US); **Pamela S. Mical**, Berkeley, IL
(US); **Slobodan S. Zivanovic**, Berkeley,
IL (US)

(73) Assignee: **Honey-Can-Do International, LLC**,
Berkeley, IL (US)

(**) Term: **15 Years**

(21) Appl. No.: **29/589,852**

(22) Filed: **Jan. 5, 2017**

(51) **LOC (11) Cl.** **06-06**

(52) **U.S. Cl.**
USPC **D6/675**

(58) **Field of Classification Search**
USPC D6/672, 675, 675.1, 675.2, 675.3, 675.4,
D6/675.5
CPC A47F 45/00; A47F 55/00; A47F 55/02
See application file for complete search history.

(56) **References Cited**

U.S. PATENT DOCUMENTS

| | | | | |
|--------------|---------|-------------|-------|----------|
| D341,500 S * | 11/1993 | Klein | | D6/407 |
| D424,836 S * | 5/2000 | Kopala, Jr. | | D6/675.2 |
| D458,772 S * | 6/2002 | Klein | | D6/681.1 |
| D530,540 S * | 10/2006 | Stravitz | | D6/675.4 |
| D543,727 S * | 6/2007 | Thaler | | D6/678.1 |
| D602,712 S * | 10/2009 | Ho | | D6/675.2 |
| D626,356 S * | 11/2010 | Ho | | D6/675.2 |
| D696,878 S * | 1/2014 | Murphy | | D6/675.1 |
| D699,485 S * | 2/2014 | Hsu | | D6/675.1 |
| D703,467 S * | 4/2014 | Ho | | D6/675.1 |
| D704,482 S * | 5/2014 | Hsu | | D6/675.1 |
| D730,664 S * | 6/2015 | Klein | | D6/675.1 |
| D762,402 S * | 8/2016 | Hsu | | D6/675.5 |

| | | | | |
|-------------------|---------|-------|-------|-------------------------|
| D787,242 S * | 5/2017 | Hsu | | D6/675.2 |
| D802,342 S * | 11/2017 | Chang | | D6/675.5 |
| 2010/0181274 A1 * | 7/2010 | Vargo | | A47B 47/021 211/187 |
| 2011/0233164 A1 * | 9/2011 | Chang | | A47B 57/14 211/188 |
| 2011/0240571 A1 * | 10/2011 | Ho | | A47B 47/021 211/13.1 |

* cited by examiner

Primary Examiner — Kelley Donnelly

(74) *Attorney, Agent, or Firm* — Adam K. Sacharoff;
Much Shelist, P.C.

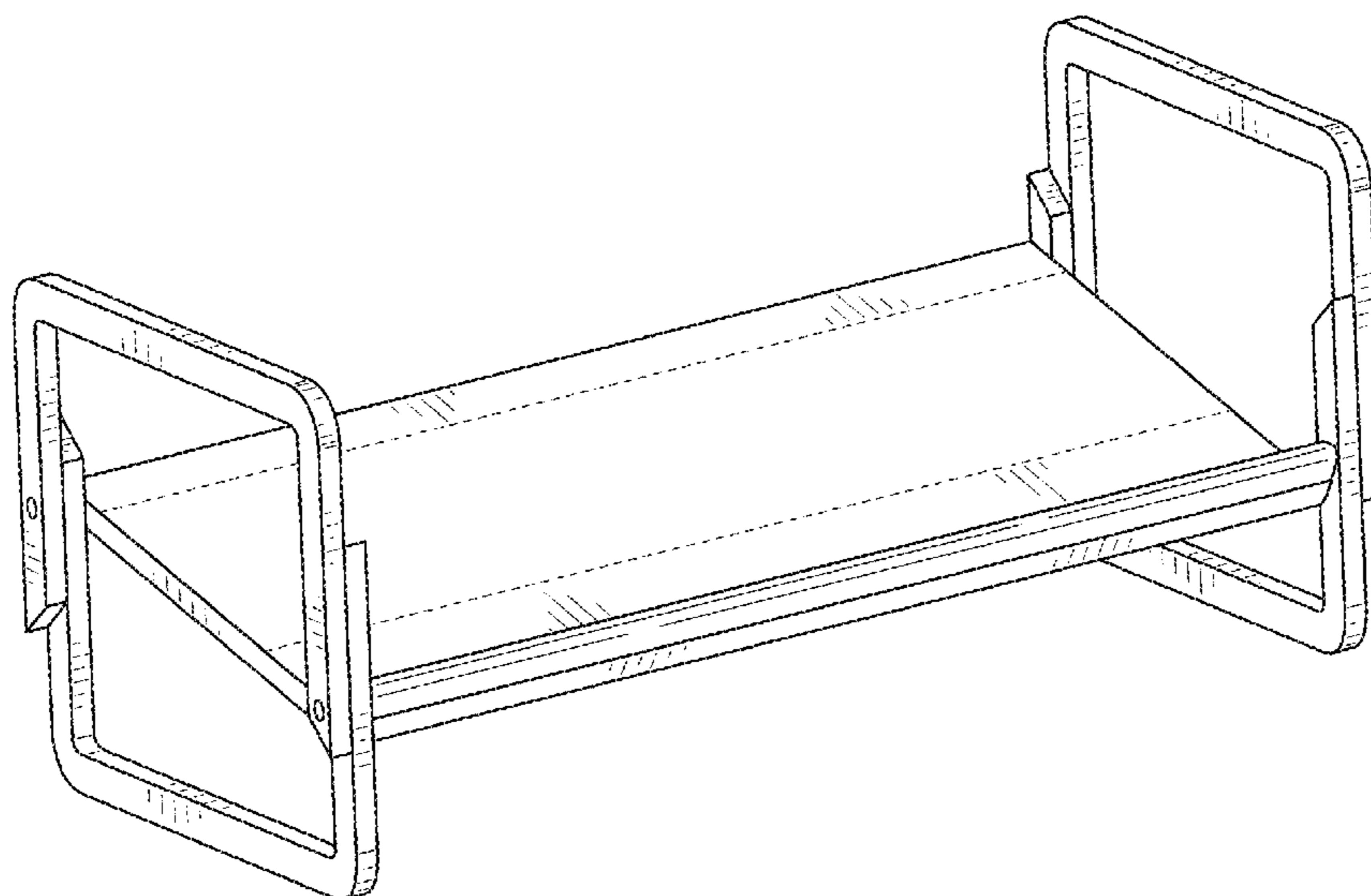
(57) **CLAIM**

The ornamental design for an shoe rack, as shown and described.

DESCRIPTION

FIG. 1 is a front perspective view of a shoe rack, showing my new design in an erect position;
FIG. 2 is a rear perspective view thereof;
FIG. 3 is a front elevation view thereof;
FIG. 4 is a rear elevation view thereof;
FIG. 5 is a left side view thereof;
FIG. 6 is a right side view thereof;
FIG. 7 is a top plan view thereof;
FIG. 8 is a bottom plan view thereof;
FIG. 9 is a front perspective view of the shoe rack from FIG. 1 illustrated in a three tiered stacked configuration;
FIG. 10 is a rear perspective view thereof;
FIG. 11 is a front elevation view thereof;
FIG. 12 is a rear elevation view thereof;
FIG. 13 is a left side view thereof;
FIG. 14 is a right side view thereof;
FIG. 15 is a top plan view thereof; and,
FIG. 16 is a bottom plan view thereof.
The broken lines in the figures depict portions of the shoe rack that form no part of the claimed design.

1 Claim, 11 Drawing Sheets



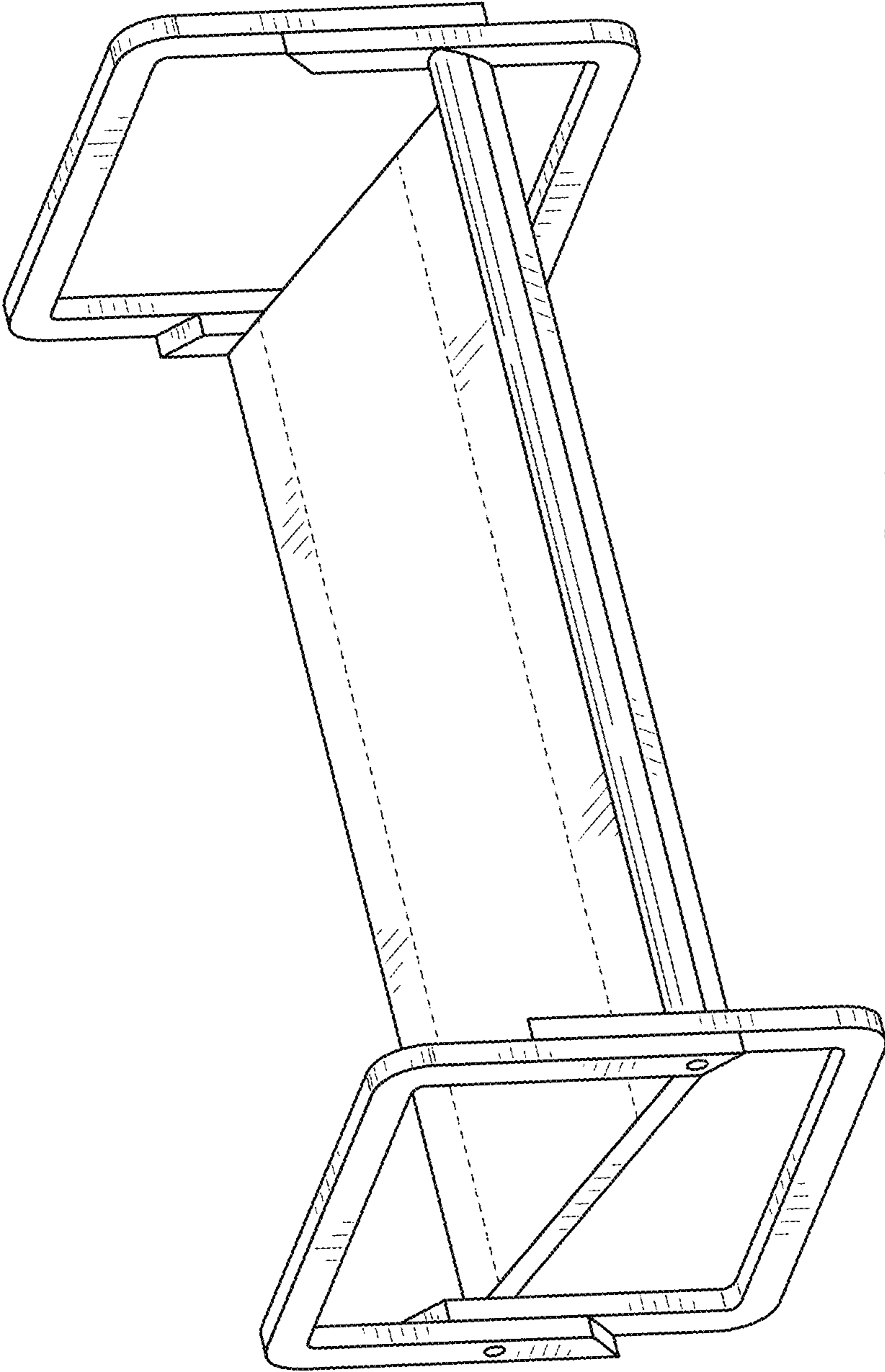


FIG. 1

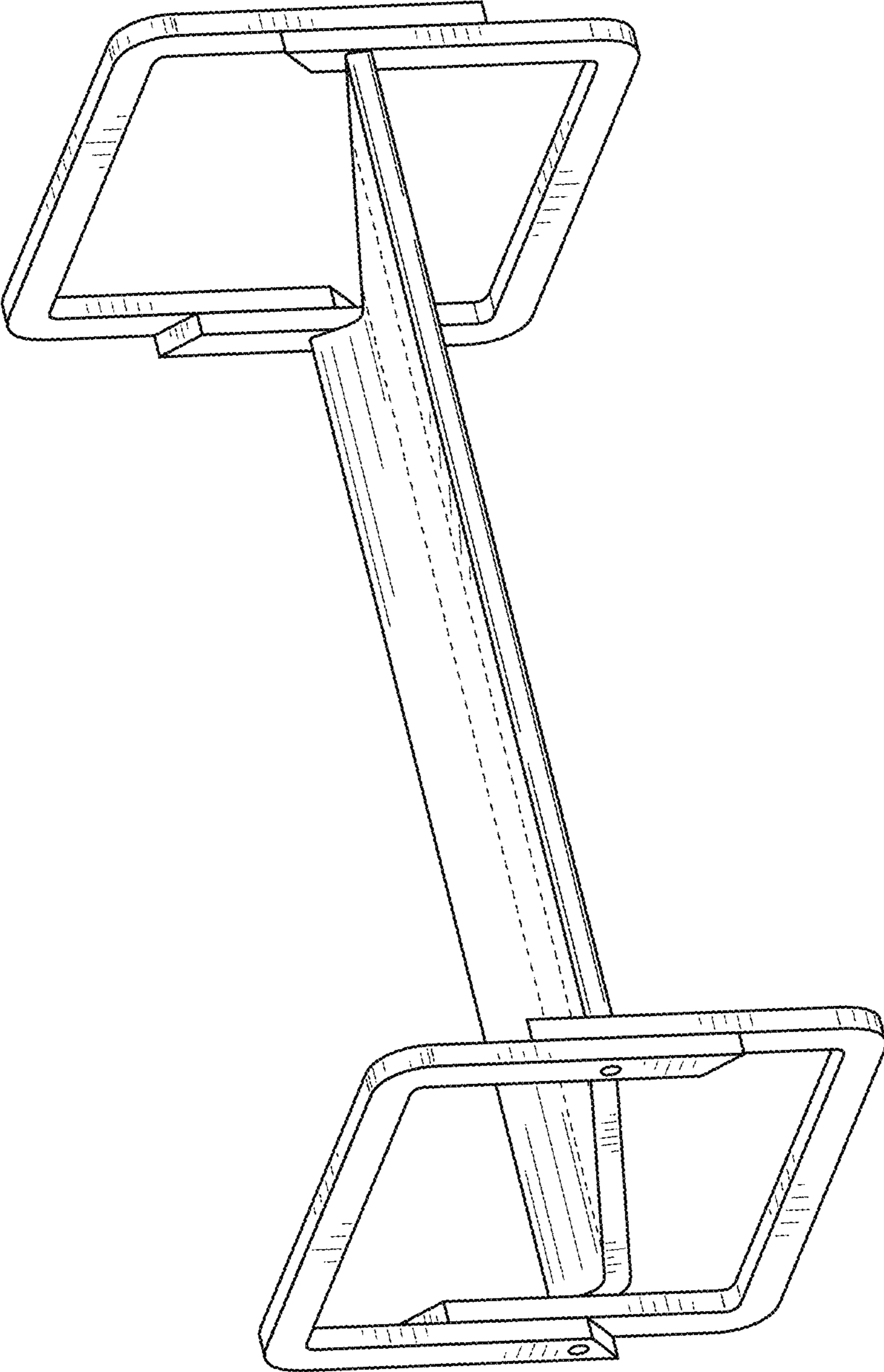


FIG. 2

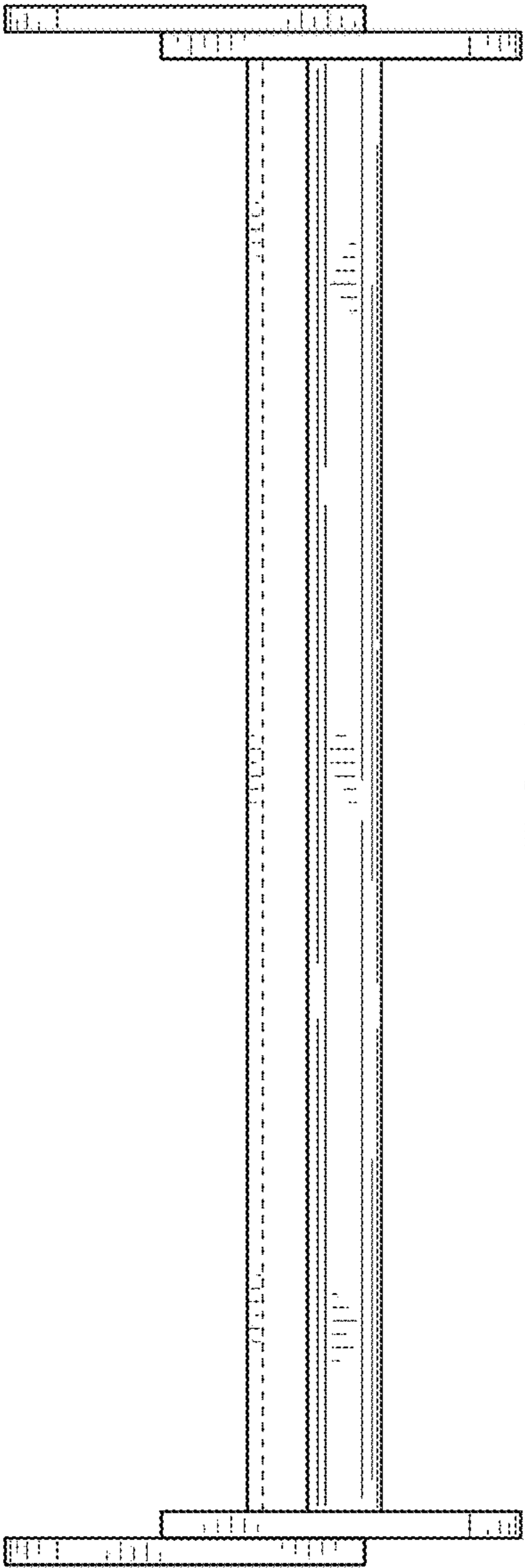


FIG. 3

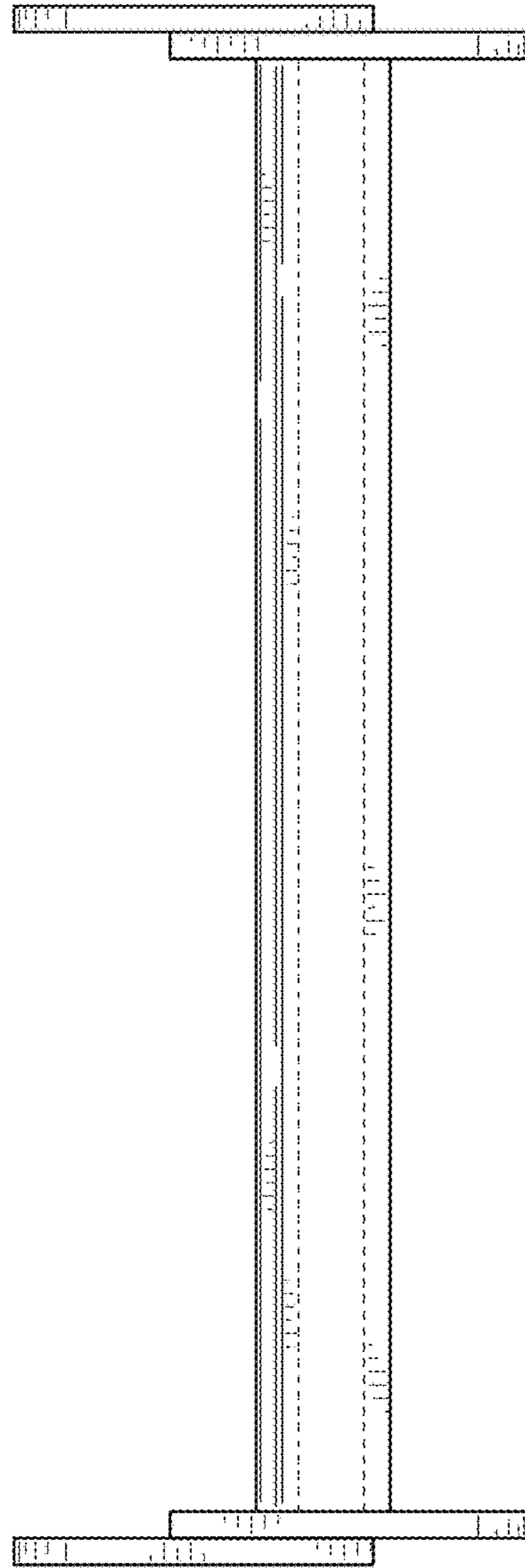


FIG. 4

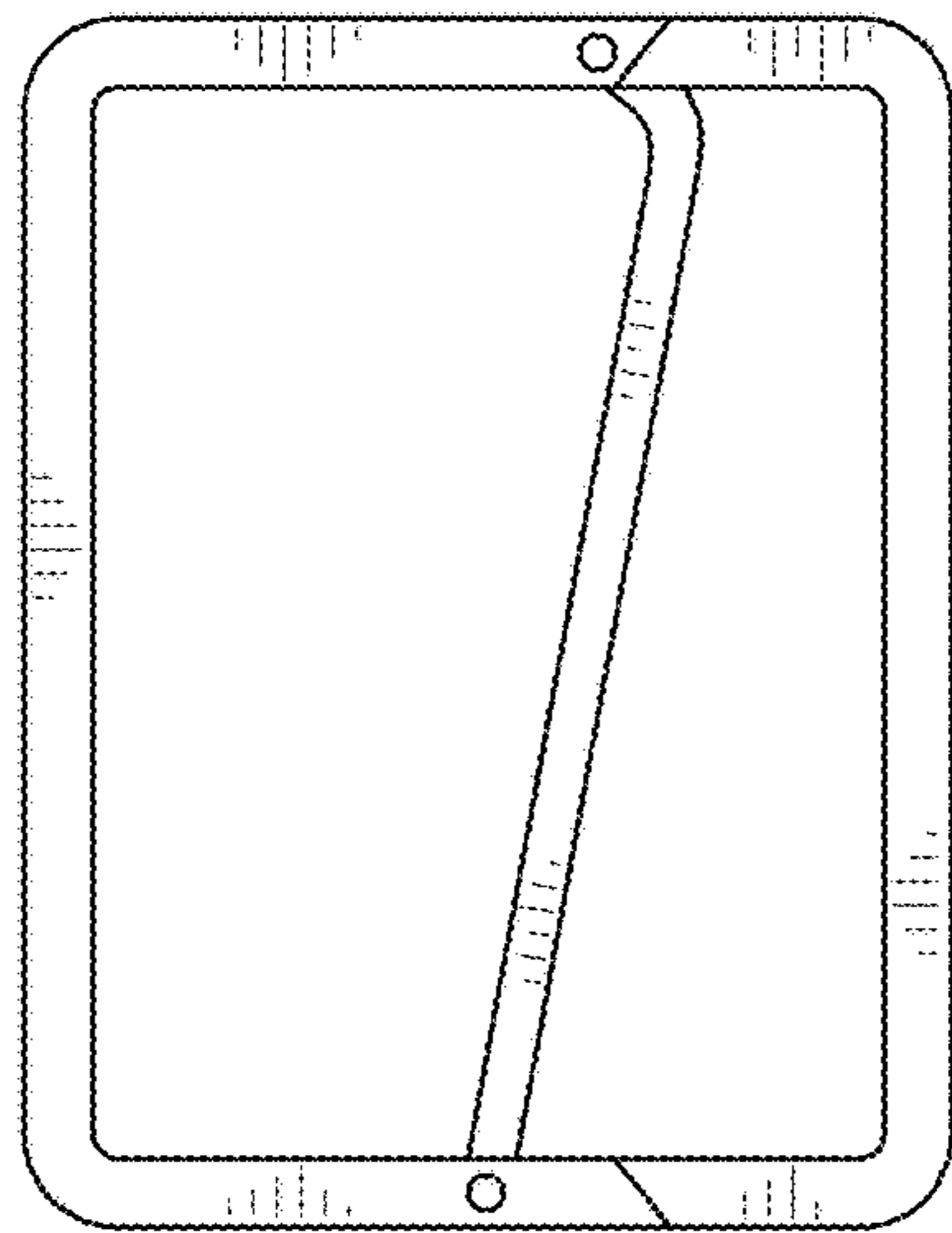


FIG. 5

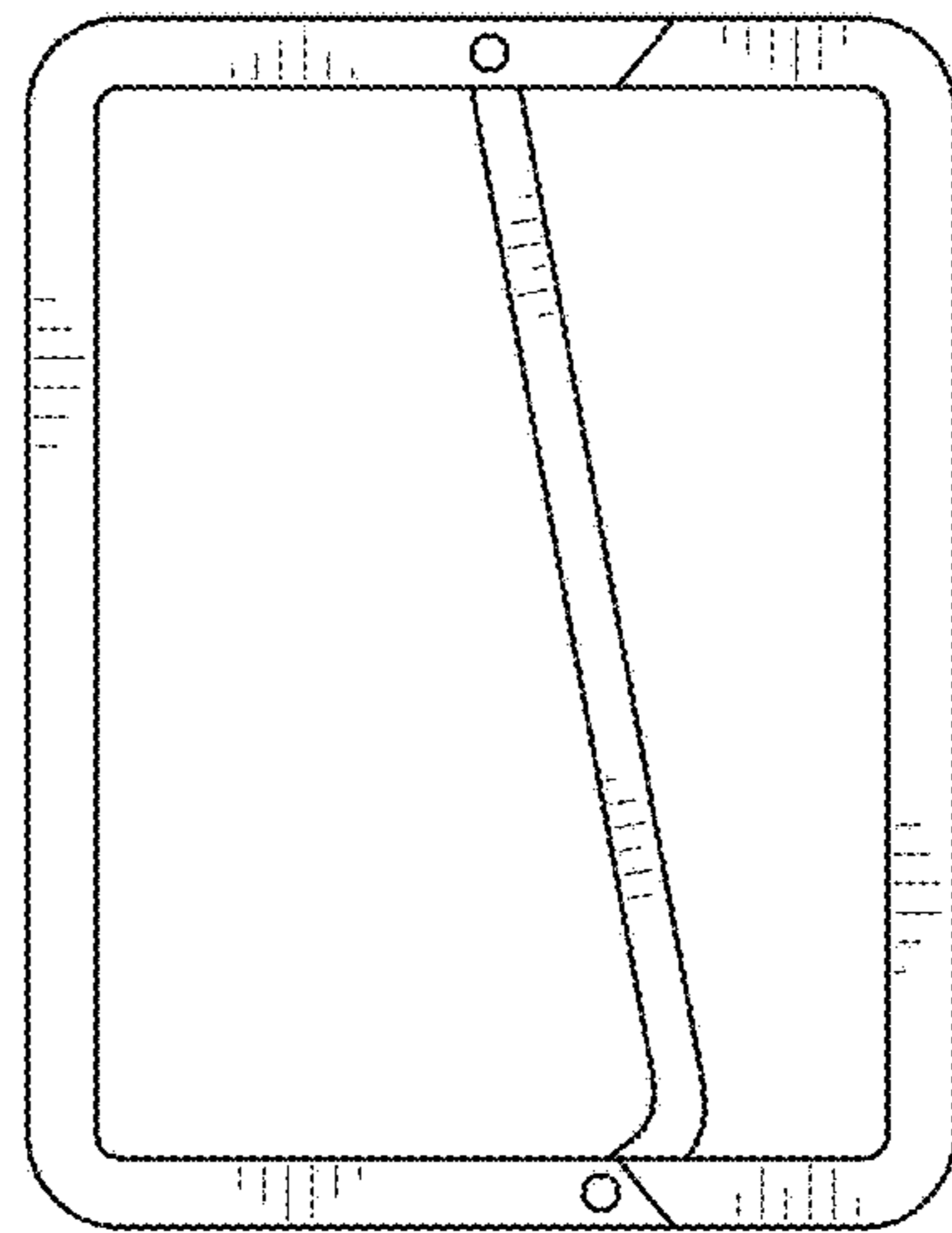


FIG. 6

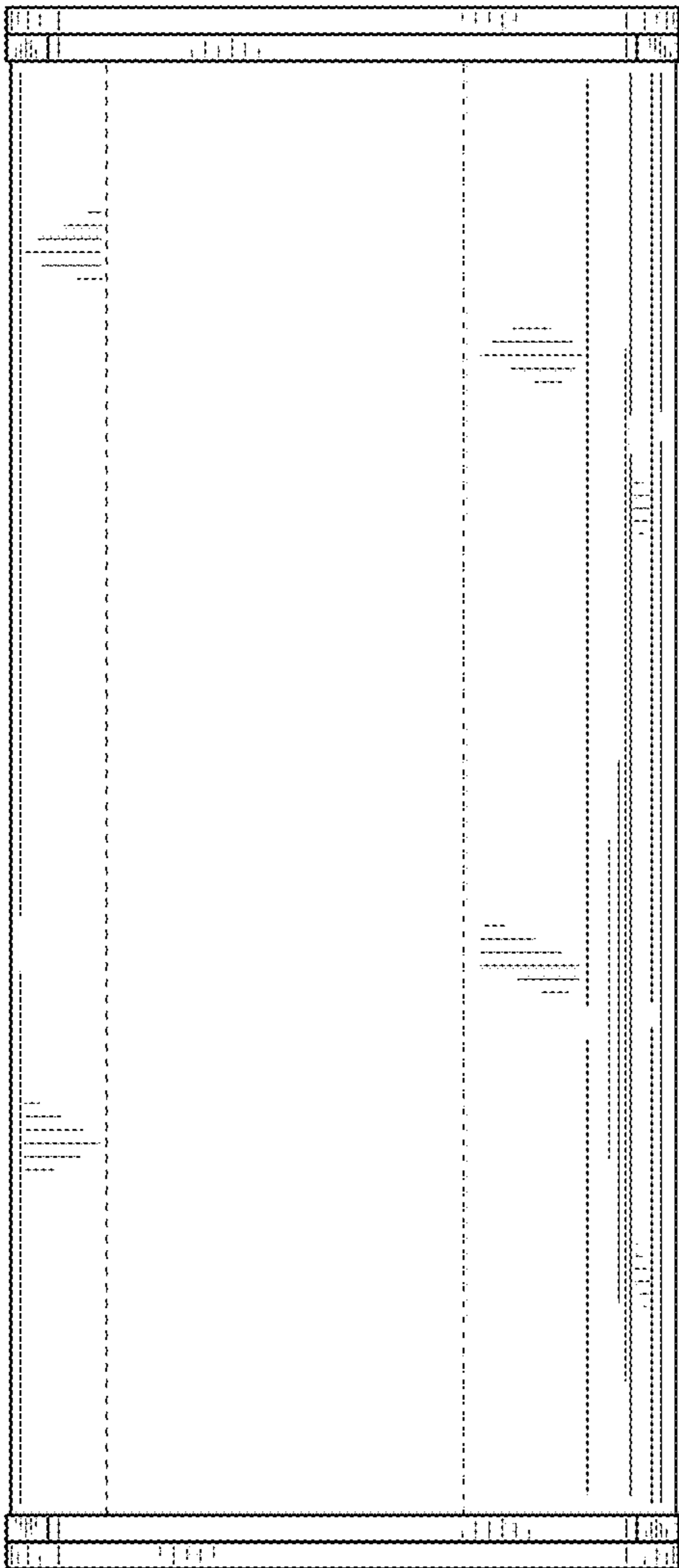


FIG. 7

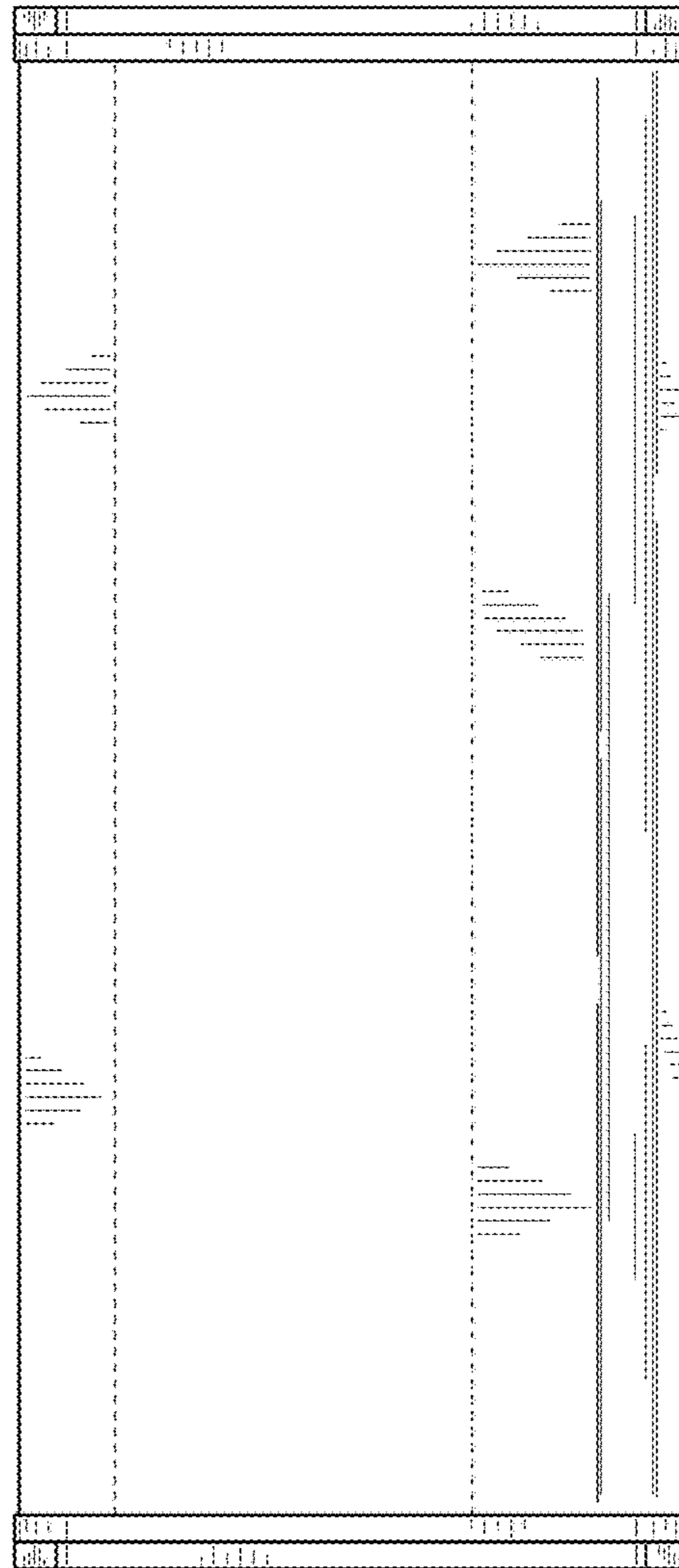


FIG. 8

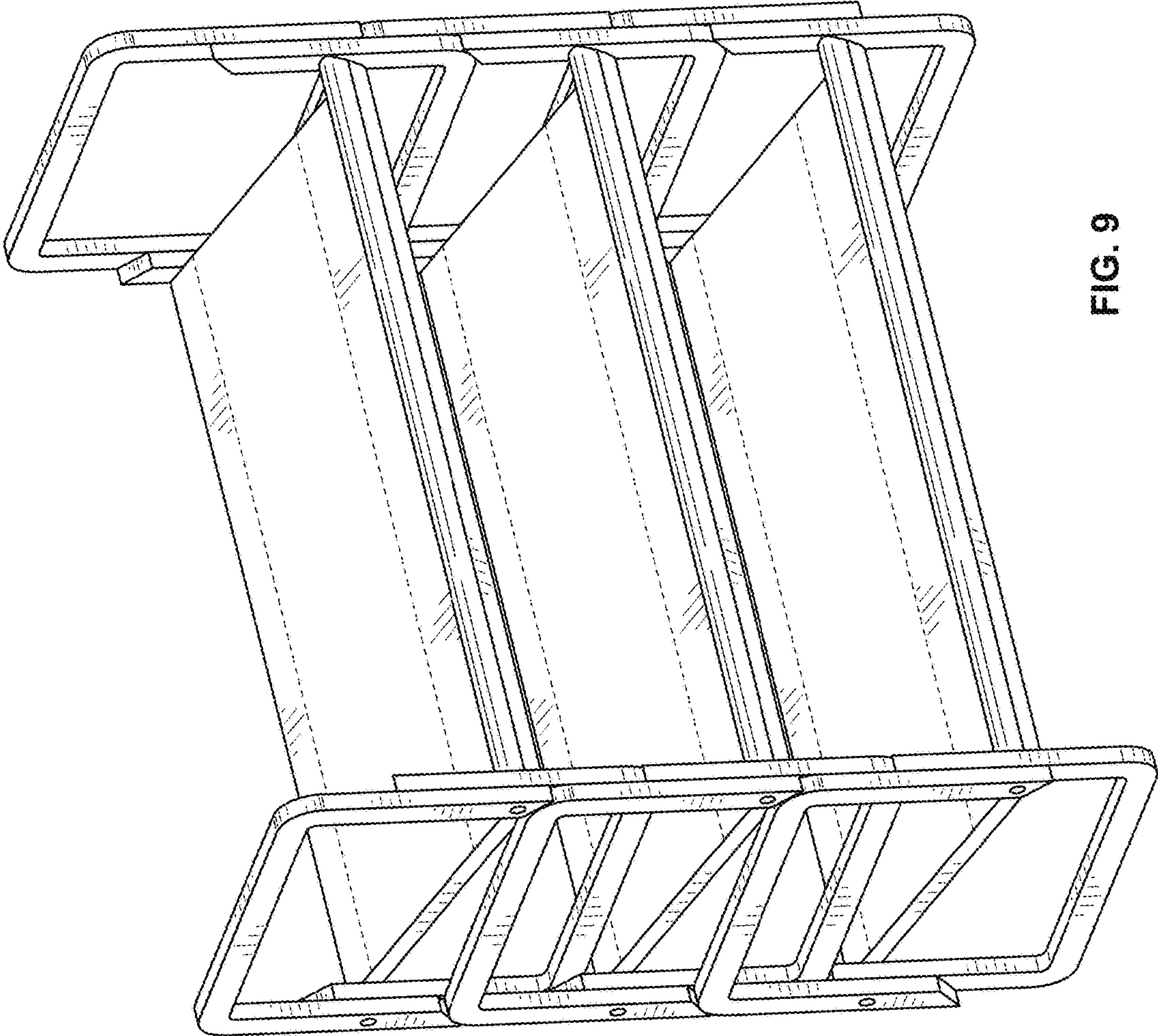


FIG. 9

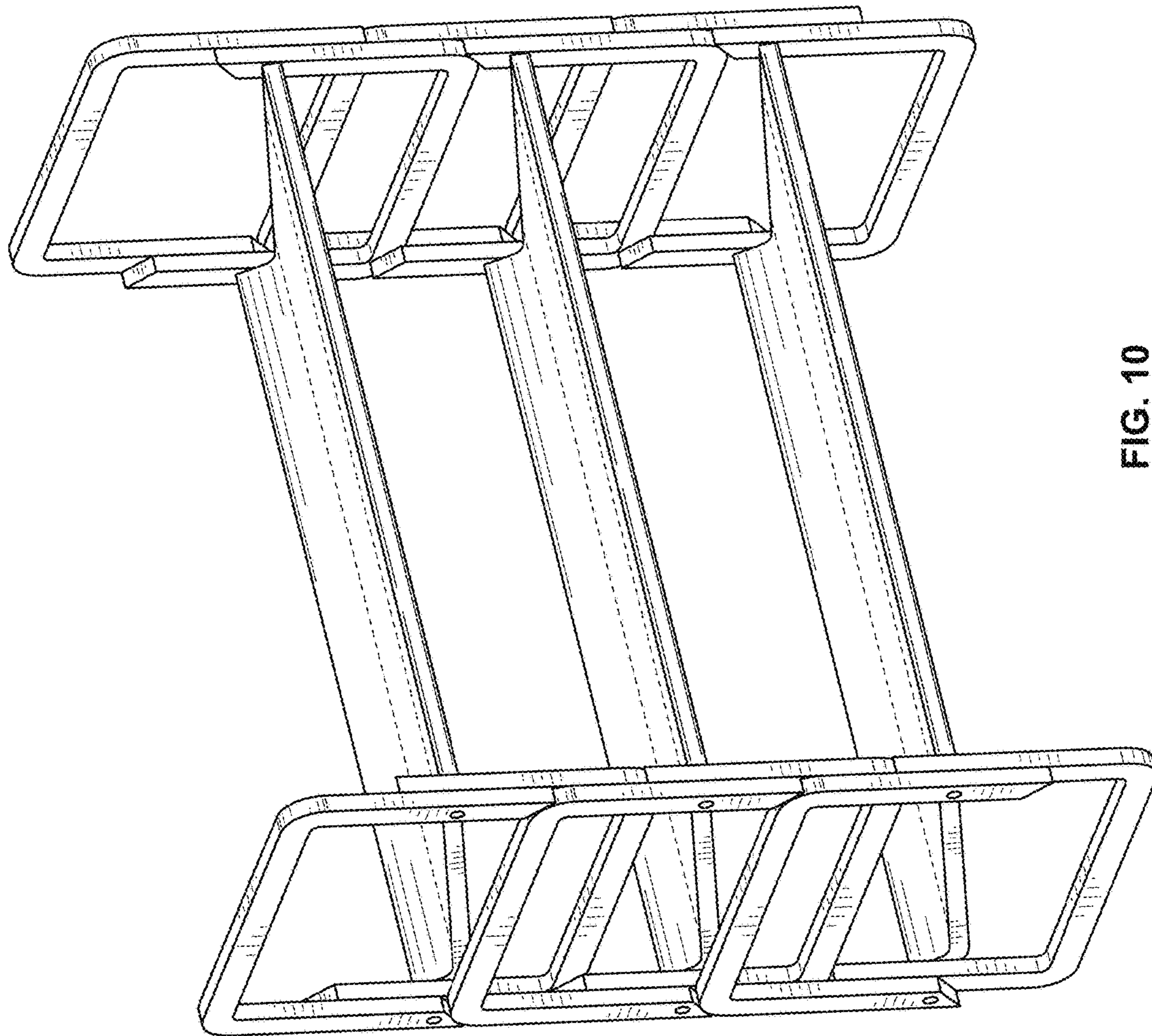


FIG. 10

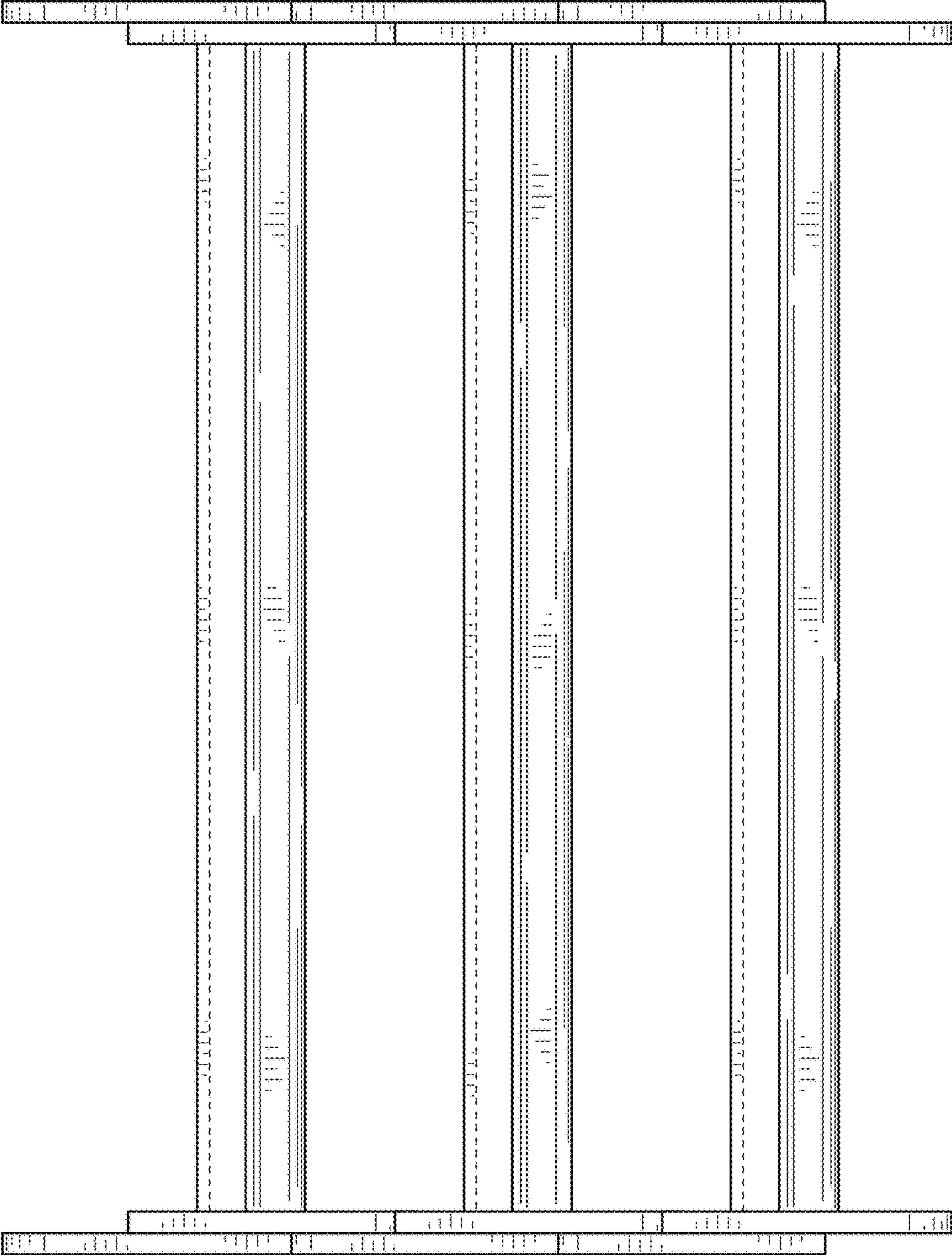


FIG. 11

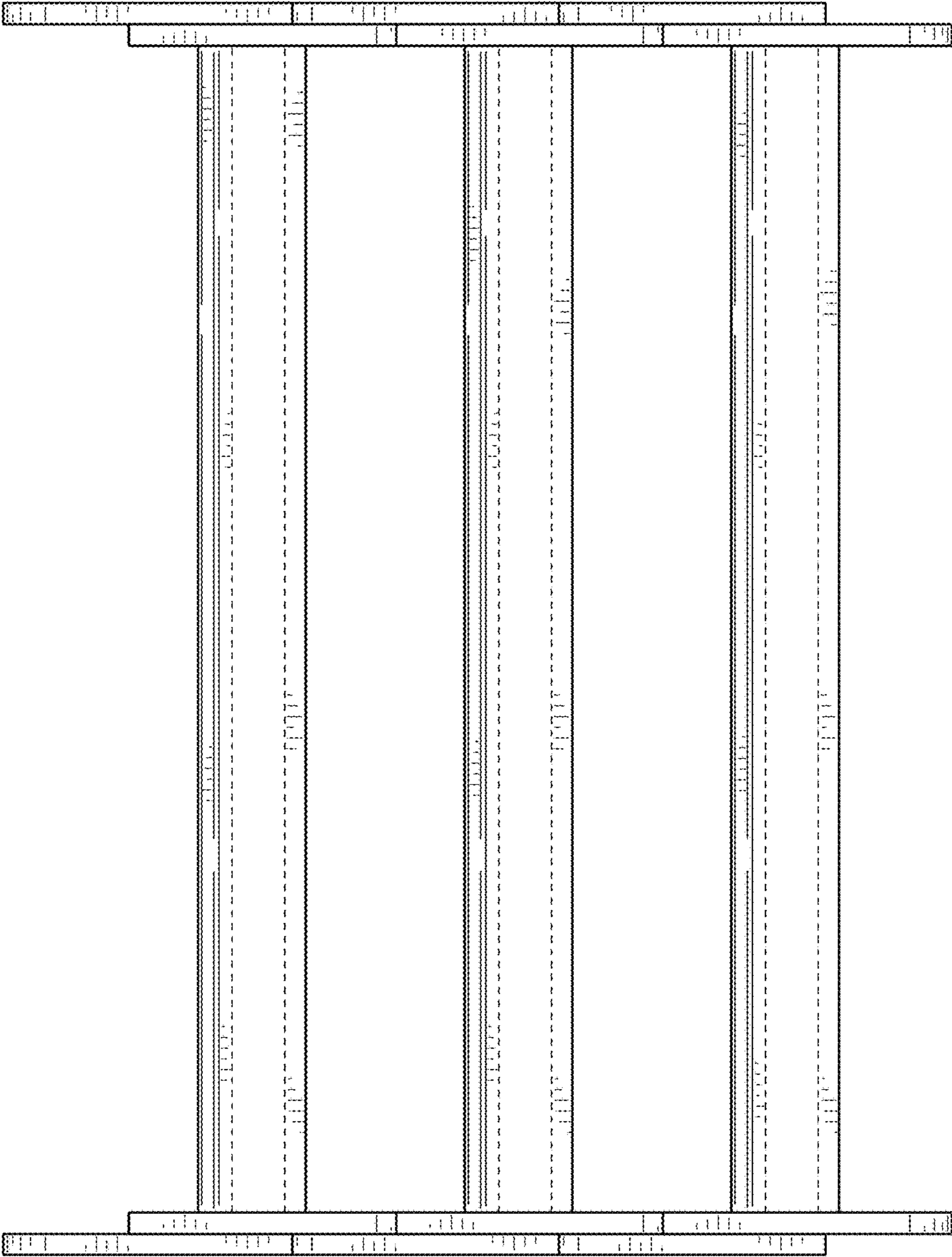


FIG. 12

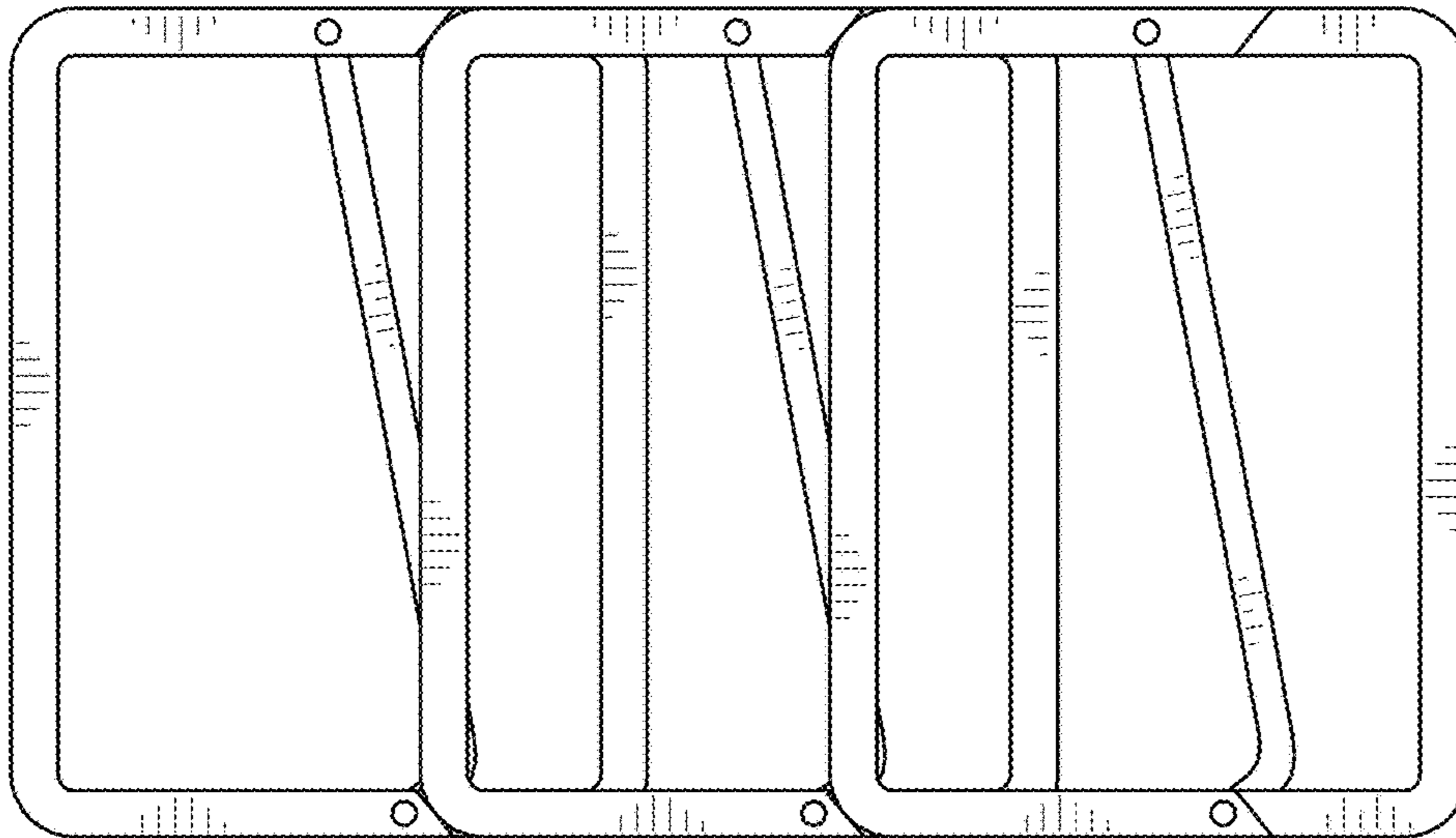


FIG. 14

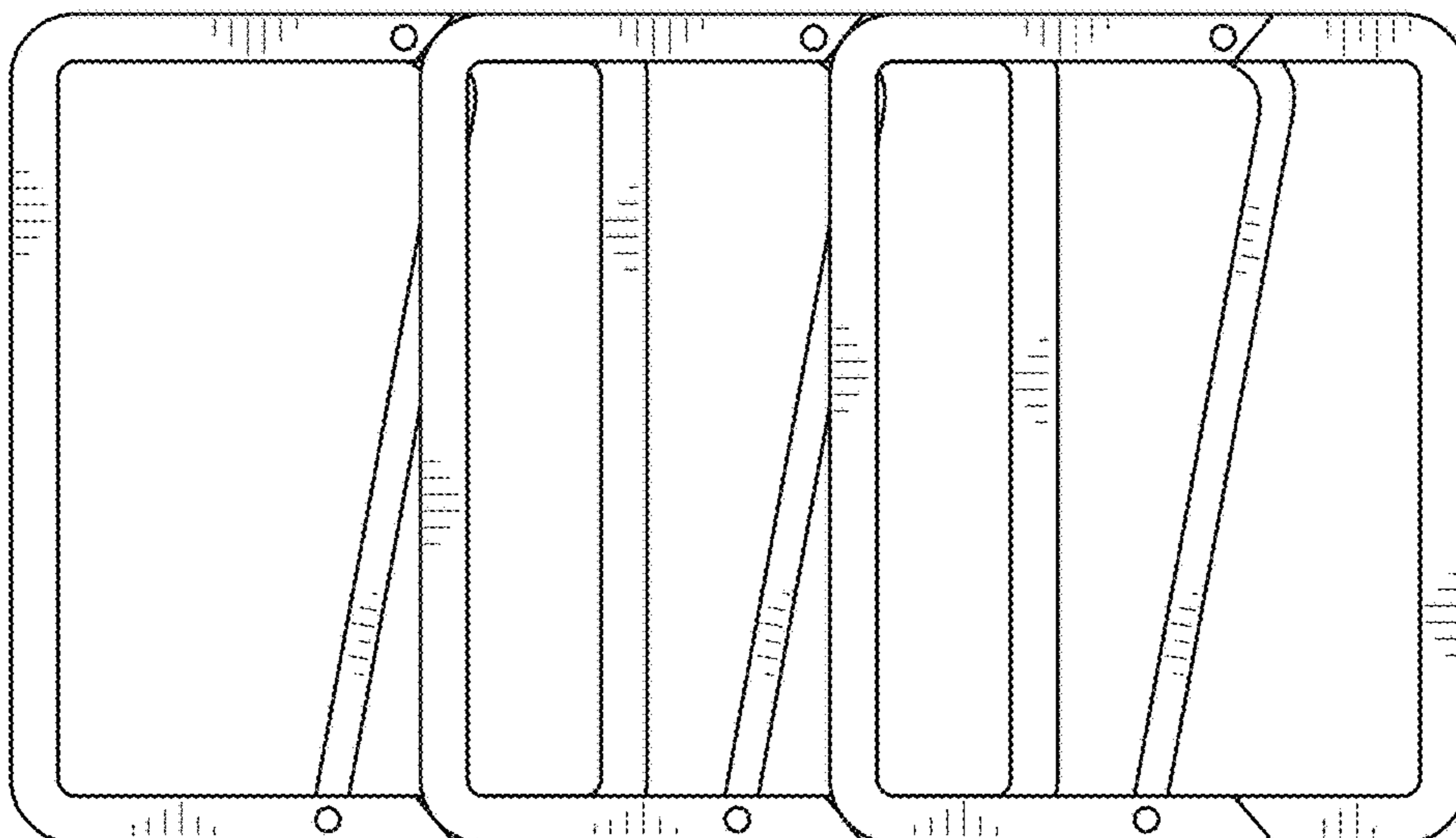


FIG. 13

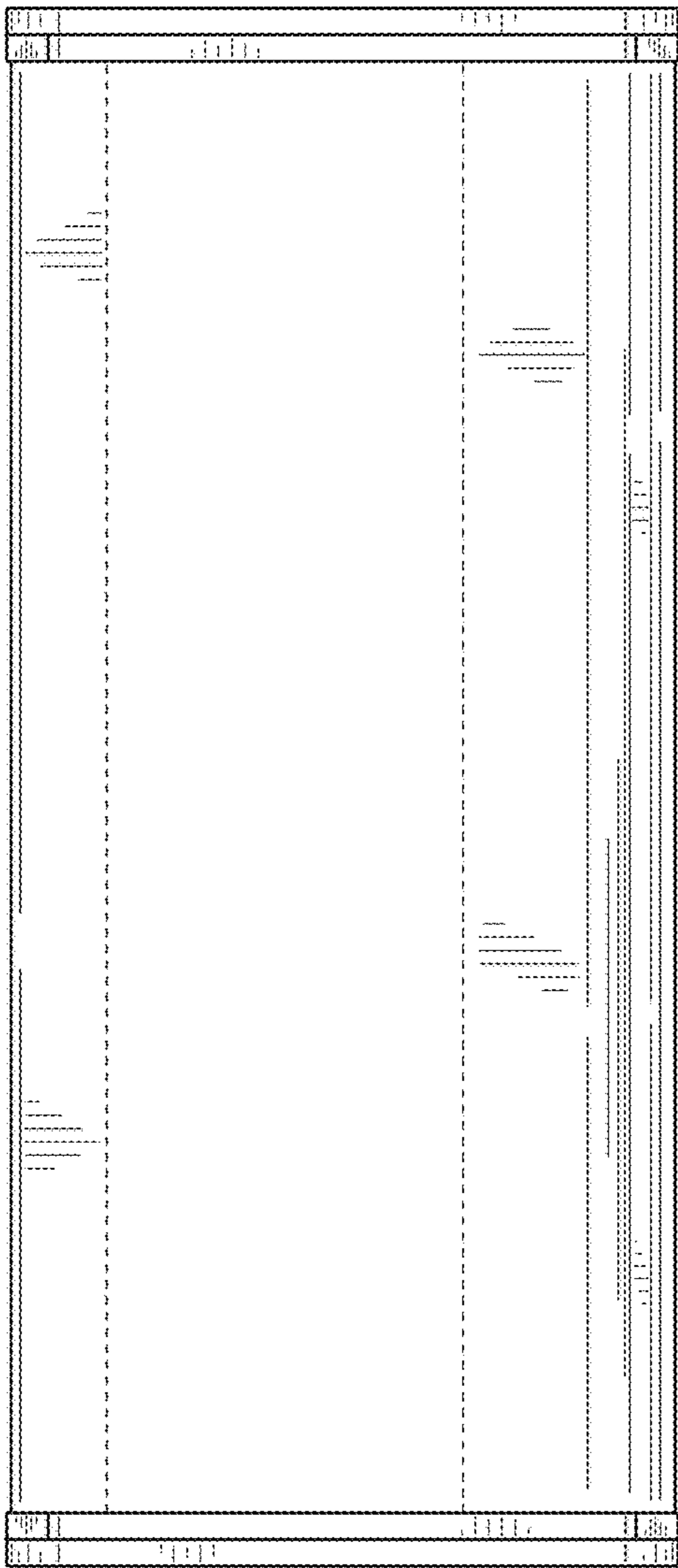


FIG. 15

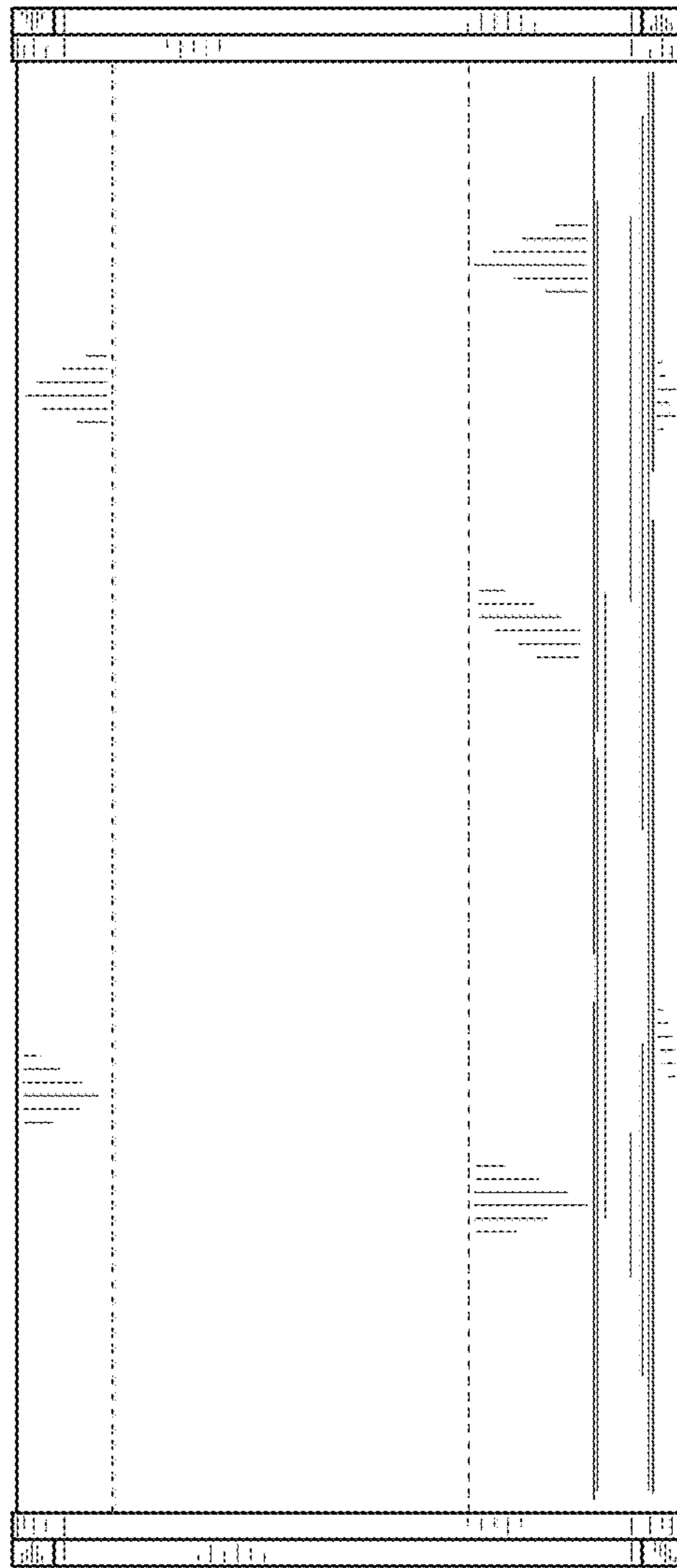


FIG. 16