



US00D830084S

(12) **United States Design Patent** (10) **Patent No.:** **US D830,084 S**
Curvey et al. (45) **Date of Patent:** **** Oct. 9, 2018**

(54) **BED RAIL COVER**

(71) Applicant: **Comfort House Industries, Inc.**,
Brentwood, TN (US)
(72) Inventors: **Lillian Curvey**, Brentwood, TN (US);
Cyrus Booker, Brentwood, TN (US)

(**) Term: **15 Years**

(21) Appl. No.: **29/580,862**

(22) Filed: **Oct. 13, 2016**

(51) **LOC (11) Cl.** **06-13**

(52) **U.S. Cl.**
USPC **D6/610**

(58) **Field of Classification Search**
USPC D6/610-611
CPC A61G 7/0522
See application file for complete search history.

(56) **References Cited**

U.S. PATENT DOCUMENTS

2,625,263	A *	1/1953	Kice	F16L 59/022
					138/151
3,831,941	A *	8/1974	Pease	A63B 71/0054
					267/116
4,474,386	A *	10/1984	Kanemaki	B62J 99/00
					224/265
5,097,550	A *	3/1992	Marra, Jr.	A61G 7/05
					5/424
5,175,897	A *	1/1993	Marra, Jr.	A61G 7/05
					5/425
5,557,817	A *	9/1996	Haddock	A61G 7/0507
					5/425
5,642,545	A *	7/1997	Howard	A47D 15/008
					5/663
5,700,053	A *	12/1997	Downing	A47C 7/546
					297/227
D427,834	S *	7/2000	Buckley	D6/610
D461,356	S *	8/2002	Thomas	D6/610

(Continued)

OTHER PUBLICATIONS

Bicycle Frame Chain Stay Protector, posted at ebay.com, posting date not given, [online], [site visited Jan. 25, 2018]. Available from Internet, URL: <https://www.ebay.com/itm/Outdoor-MTB-Bike-Bicycle-Cycling-Frame-Chain-Stay-Protector-Cover-Guard-Pad-New-/192107082240>.*

(Continued)

Primary Examiner — George D. Kirschbaum

Assistant Examiner — Maria J Edwards

(74) *Attorney, Agent, or Firm* — Timothy L. Capria;
Bradley Arant Boult Cummings

(57) **CLAIM**

What is claimed is the ornamental design for a bed rail cover, as shown and described.

DESCRIPTION

FIG. 1 is a top perspective view of the bed rail cover in use with a bed, showing our new design.

FIG. 2 is a front elevation view of the bed rail cover not in use.

FIG. 3 is a rear elevation view of the bed rail cover of FIG. 2.

FIG. 4 is top view of the bed rail cover of FIG. 2.

FIG. 5 is a bottom view of the bed rail cover of FIG. 2 in an unfastened position.

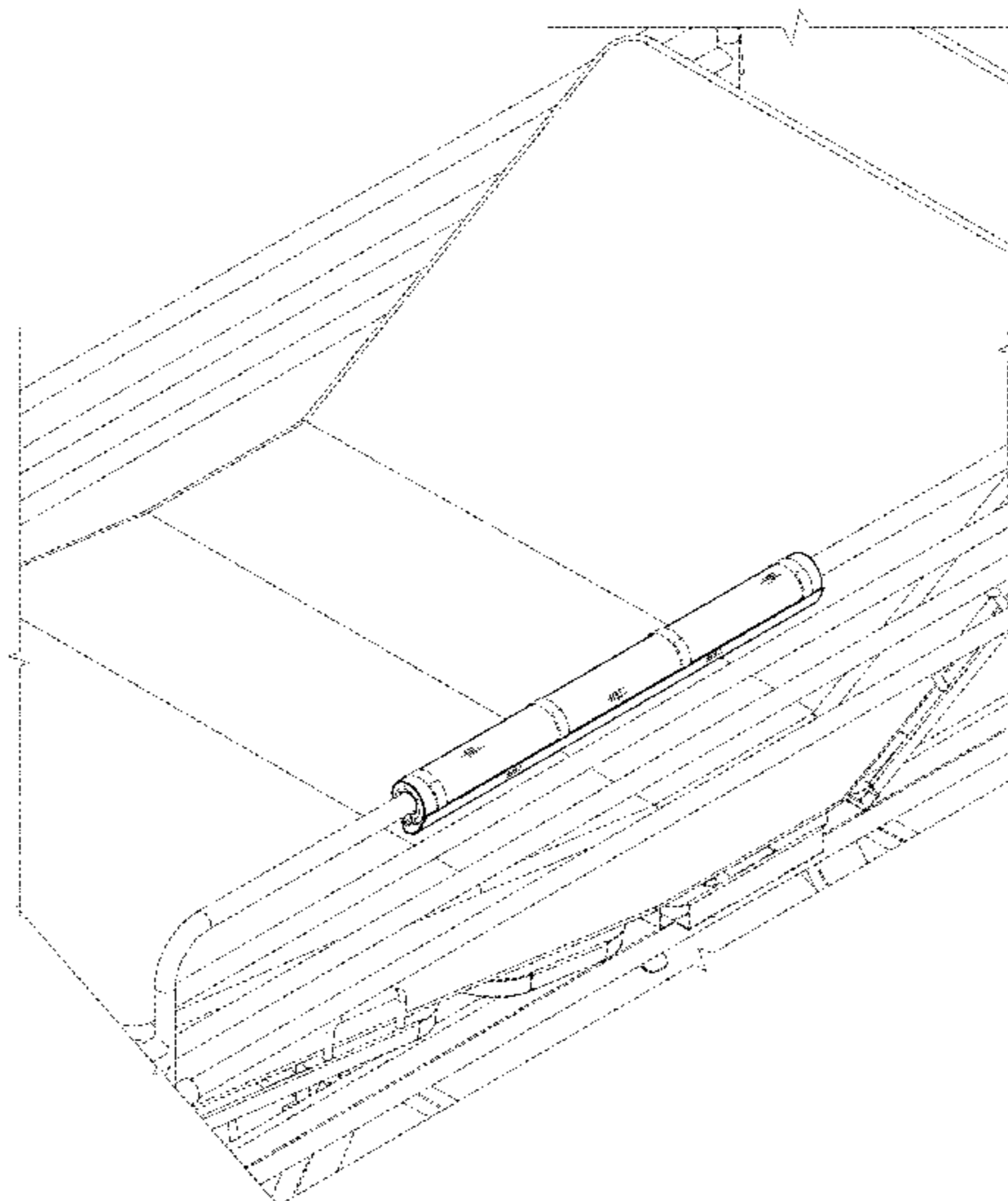
FIG. 6 is an enlarged left side view of the bed rail cover of FIG. 2 in a loosely fastened position. The right side view is a mirror image of FIG. 6.

FIG. 7 is an enlarged left side view of the bed rail cover of FIG. 2 in a tightly fastened position. The right side view is a mirror image of FIG. 7; and,

FIG. 8 is an enlarged left side view of the bed rail cover of FIG. 2 in an unfastened position. The right side view is a mirror image of FIG. 8.

The broken lines used in the figures represent environmental subject matter and form no part of the claimed design.

1 Claim, 4 Drawing Sheets



(56)

References Cited

U.S. PATENT DOCUMENTS

6,817,066 B1 * 11/2004 Williams B62B 3/1428
 150/154
 D539,587 S * 4/2007 Bonal D6/610
 D571,139 S * 6/2008 Knee D6/610
 D571,140 S * 6/2008 Knee D6/610
 D587,508 S * 3/2009 Knee D6/610
 D592,002 S * 5/2009 Knee D6/610
 9,125,500 B2 * 9/2015 Farrell A61G 7/0522
 D783,315 S * 4/2017 Gourley D6/611
 D795,623 S * 8/2017 Trinder, II D6/718.3
 D795,624 S * 8/2017 Trinder, II D6/718.3
 D795,625 S * 8/2017 Trinder, II D6/718.3
 D795,626 S * 8/2017 Trinder, II D6/718.3
 D802,974 S * 11/2017 Marsden D6/718.26
 2001/0031329 A1 * 10/2001 Shaffer F16L 59/022
 428/36.9
 2002/0092577 A1 * 7/2002 Vitoorapakorn F16L 3/1233
 138/149
 2004/0079431 A1 * 4/2004 Kissell F16L 59/021
 138/149
 2006/0231193 A1 * 10/2006 Bright B29C 63/06
 156/217
 2007/0292647 A1 * 12/2007 Princell B29C 65/5021
 428/36.9
 2010/0124625 A1 * 5/2010 Blair B29C 47/021
 428/36.5
 2012/0124751 A1 * 5/2012 Perry A47D 9/00
 5/663
 2012/0240307 A1 * 9/2012 Terrell A41D 19/0086
 2/158

2015/0052684 A1 * 2/2015 Farrell A47D 15/008
 5/663
 2016/0213167 A1 * 7/2016 Gin A47D 15/008
 2017/0013969 A1 * 1/2017 Trinder, II A61G 7/0507

OTHER PUBLICATIONS

Pioneer Wrap Pads, posted at rhinorack.com, posting date not given, [online], [site visited Jan. 25, 2018]. Available from Internet, URL: <http://www.rhinorack.com/en-us/products/roof/roof-trays/xtray-acc/pioneer-wrap-pads-700>.*

Recycled Rubber Bike Tube Protector, posted at thespotteddoor.com, posting date not given, [online], [site visited Jan. 25, 2018]. Available from Internet, URL: <https://thespotteddoor.com/products/recycled-rubber-top-tube-bike-protector>.*

Scicon AeroComfort top tube protector, posted at guides.wiggle.co.uk, posting date not given, [online], [site visited Jan. 25, 2018]. Available from Internet, URL: <https://guides.wiggle.co.uk/how-pack-scicon-aerocomfort-mtb-20-tsa-bike-bag>.*

Stash Pad, posted at kickstarter.com, posting date not given, [online], [site visited Jan. 25, 2018]. Available from Internet, URL: <https://www.kickstarter.com/projects/572621618/the-last-tool-bag-frame-protector-a-cyclist-will-e>.*

Surf to Summit Roof Rack Pads, posted at ebay.com, posting date not given, [online], [site visited Jan. 25, 2018]. Available from Internet, URL: <https://www.ebay.com/itm/Surf-to-Summit-Roof-Rack-Pads-30-Set-of-2-RRP300/172806820111>.*

Woodland Crib Rail Guard Set, posted at newarrivalsinc.com, posting date not given, [online], [site visited Jan. 25, 2018]. Available from Internet, URL: http://www.newarrivalsinc.com/Woodland-Nursery-Rail-Guard-Set-Oh-Hello-Fog-Collection-_p_5732.html.*

* cited by examiner

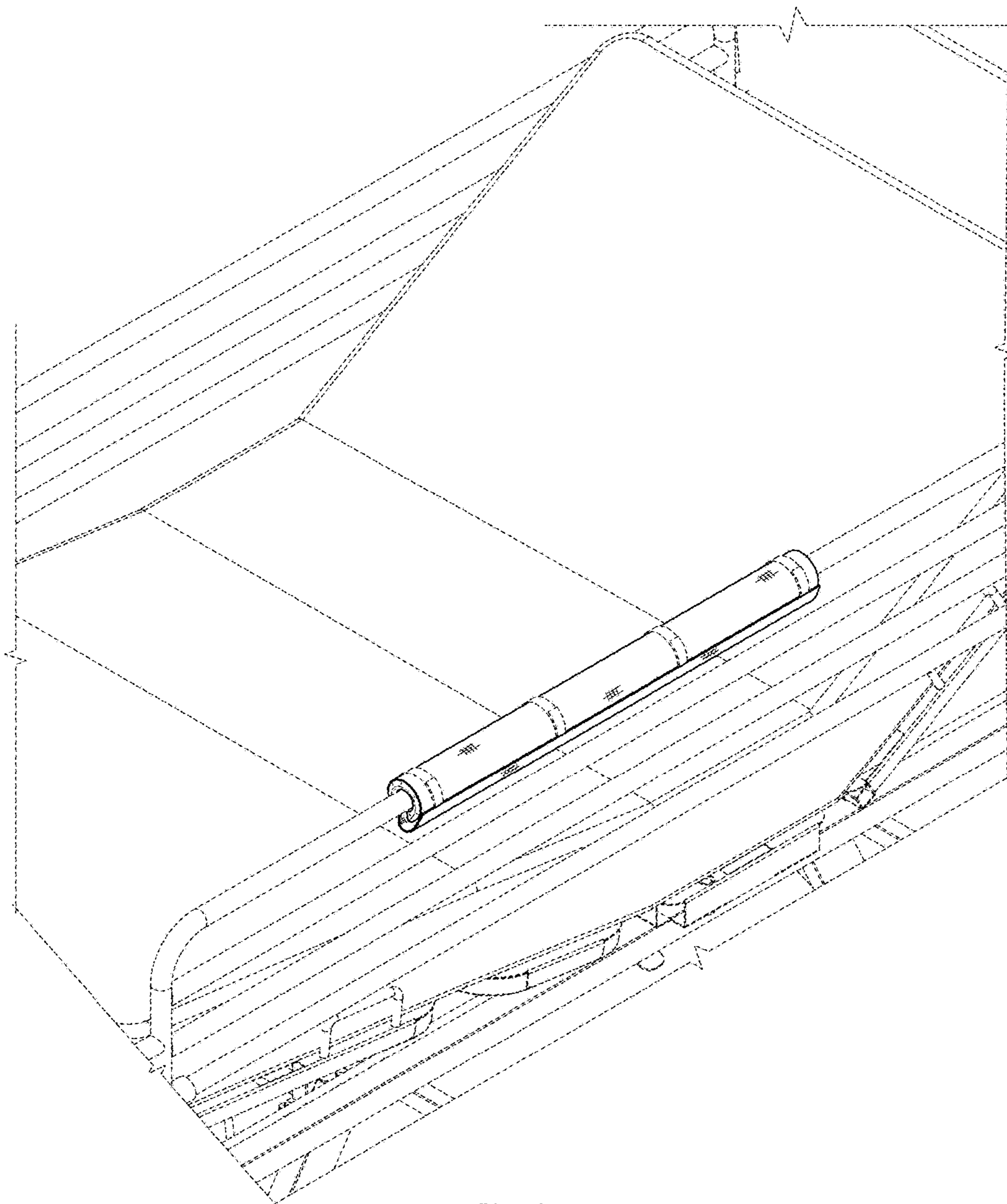


FIG. 1

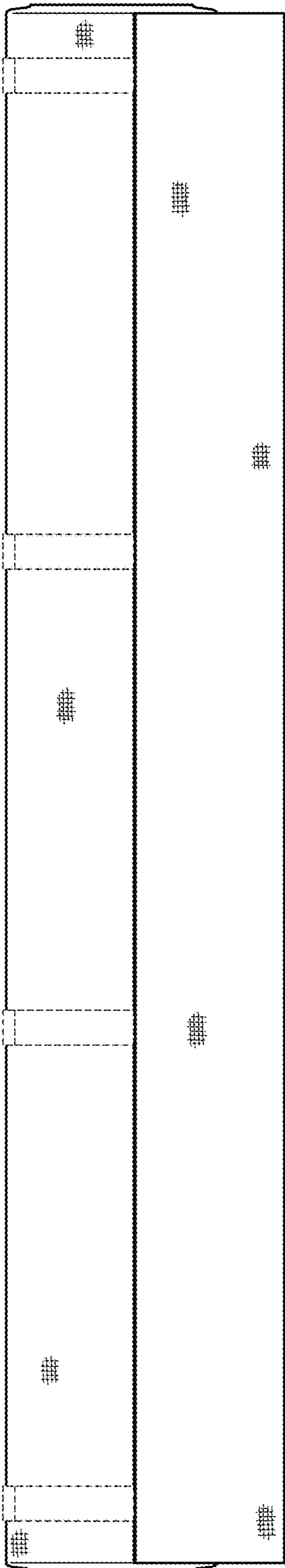


FIG. 2

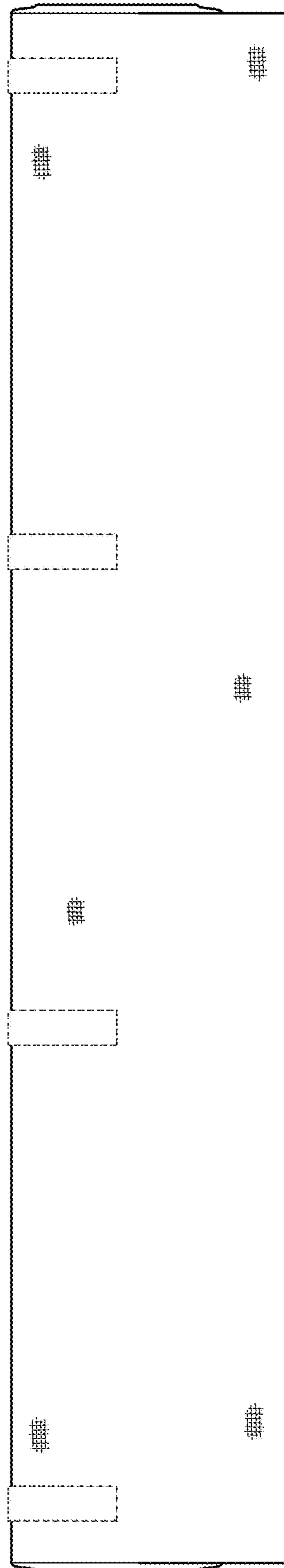


FIG. 3

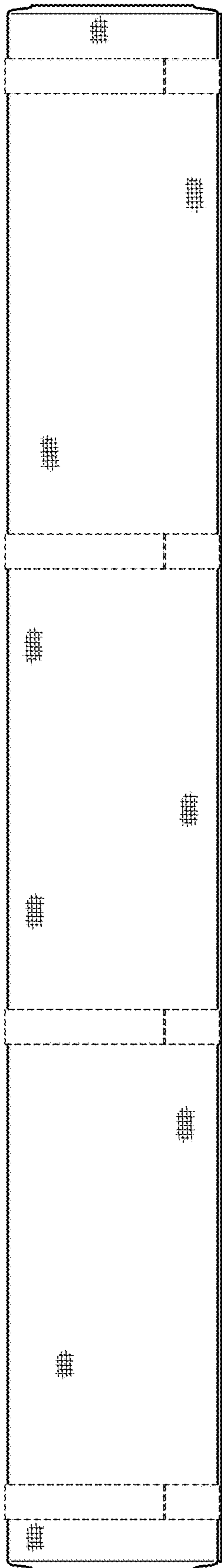


FIG. 4

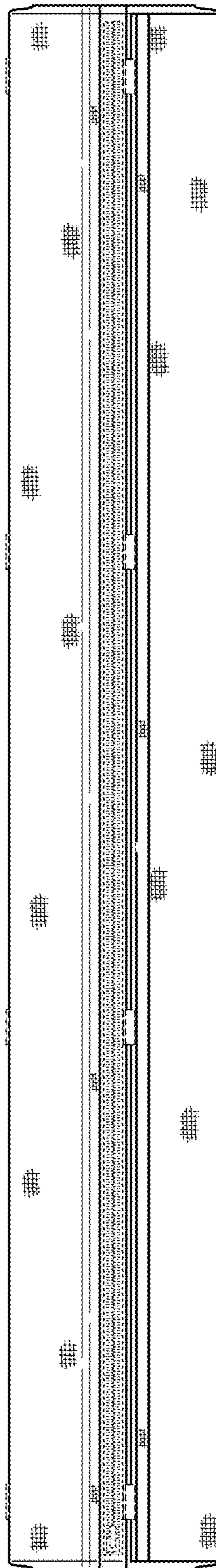


FIG. 5

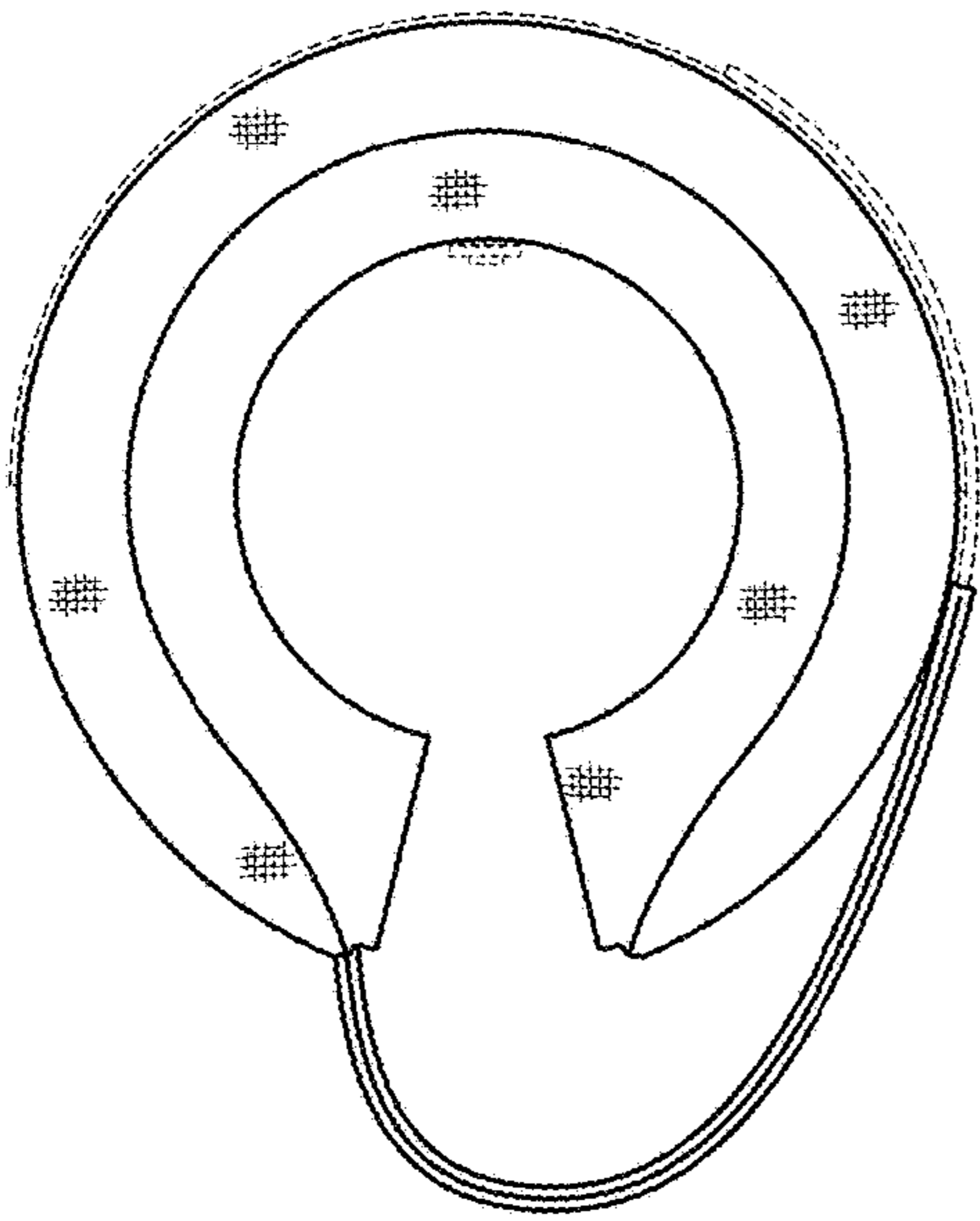


FIG. 6

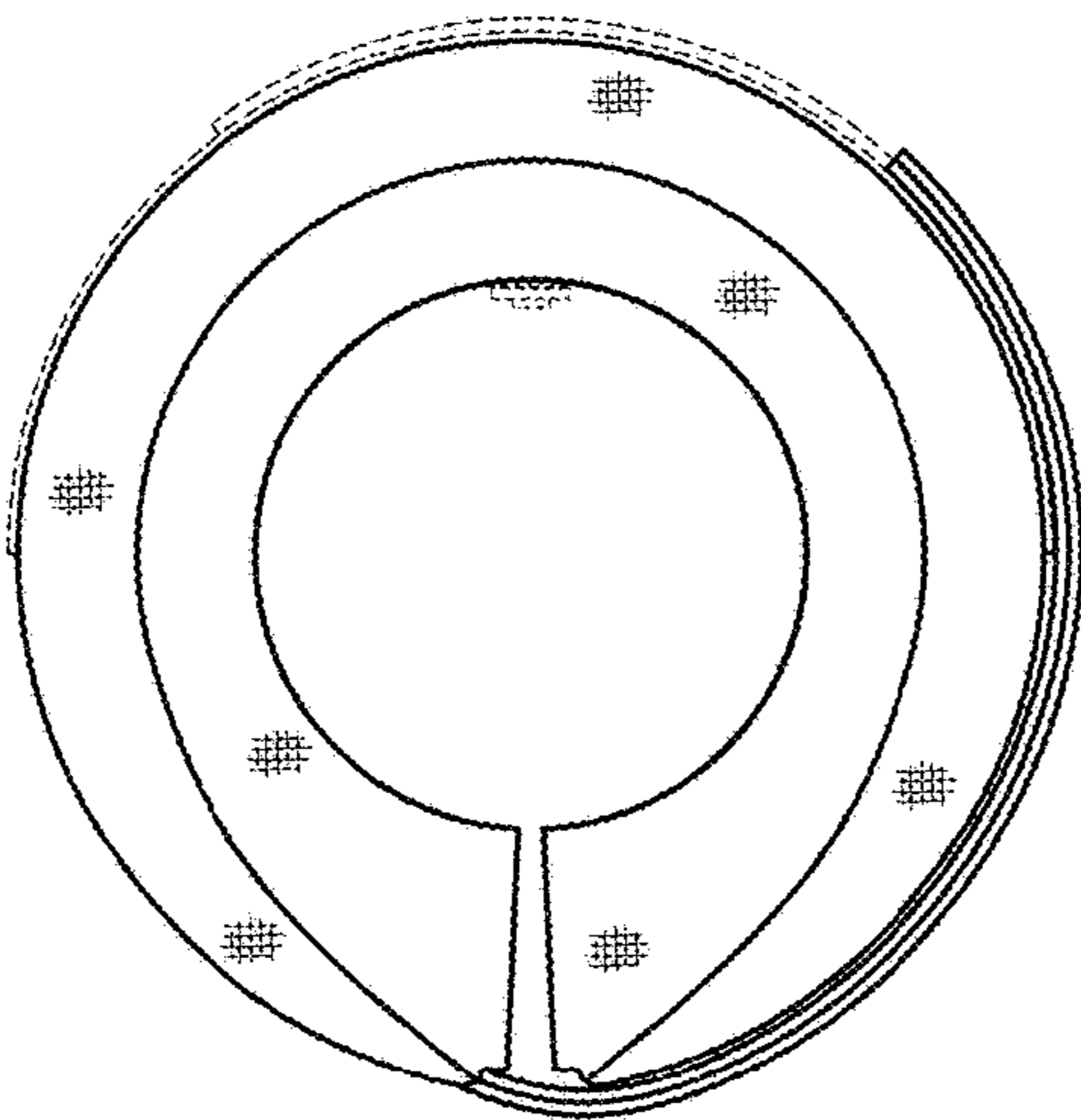


FIG. 7

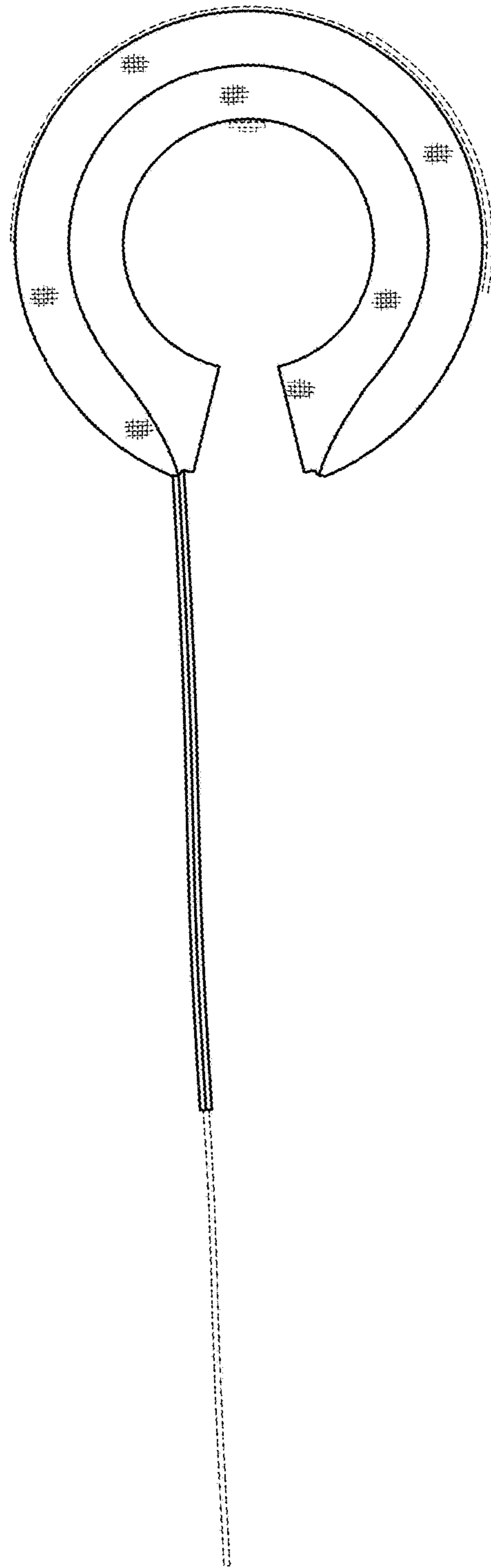


FIG. 8