



US00D830081S

(12) **United States Design Patent** (10) **Patent No.:** **US D830,081 S**  
**Anderson et al.** (45) **Date of Patent:** **\*\* Oct. 9, 2018**

(54) **BUTTON FOR A WINDOW COVERING**  
(71) Applicant: **Hunter Douglas Inc.**, Pearl River, NY (US)  
(72) Inventors: **Richard Anderson**, Whitesville, KY (US); **Dwain Poynter**, Philpot, KY (US); **Fred Bould**, Menlo Park, CA (US); **Winslow Harte**, San Carlos, CA (US)  
(73) Assignee: **HUNTER DOUGLAS INC.**, Pearl River, NY (US)

(\*\*) Term: **14 Years**

(21) Appl. No.: **29/522,087**

(22) Filed: **Mar. 27, 2015**

(51) **LOC (11) Cl.** ..... **06-10**

(52) **U.S. Cl.**  
USPC ..... **D6/580**

(58) **Field of Classification Search**  
USPC ..... D6/575, 576, 577, 578, 579, 580, 581; D8/17, 349, 350-353, 369, 376, 378, 379, D8/404; D13/171, 174; D21/333; D3/318  
CPC ..... E06B 3/30; E06B 9/00; E06B 9/02; E06B 9/24; E06B 9/262; A47H 1/00; A47H 1/02; A47H 21/00; A47H 23/00; A47H 23/02; A47H 23/04; A47H 2001/0205; A47H 2023/025  
See application file for complete search history.

(56) **References Cited**

U.S. PATENT DOCUMENTS

D191,047 S \* 8/1961 Baxendell ..... D13/169  
4,491,970 A \* 1/1985 LaWhite ..... H04B 1/0343  
455/100  
D299,606 S \* 1/1989 Pomroy ..... D7/542

D412,492 S \* 8/1999 Gatchell ..... D13/162  
6,170,122 B1 \* 1/2001 Kuo ..... A45C 13/262  
16/405  
D514,072 S \* 1/2006 Martinez ..... D13/174  
D514,922 S \* 2/2006 Zahedi ..... D8/350  
D541,567 S \* 5/2007 Spence ..... D6/580  
D553,364 S \* 10/2007 Moon ..... D3/318  
D572,905 S \* 7/2008 Wu ..... D3/318  
7,714,243 B2 \* 5/2010 Birdwell ..... H01H 11/0006  
174/54  
D645,004 S \* 9/2011 Menheere ..... D13/171  
8,232,493 B2 \* 7/2012 Ichikawa ..... H01H 13/06  
200/302.2  
D777,690 S \* 1/2017 Amano ..... D13/171  
2011/0240453 A1 \* 10/2011 Shu ..... H01H 13/84  
200/5 A  
2012/0057314 A1 \* 3/2012 Li ..... G06F 1/1601  
361/752  
2012/0111706 A1 \* 5/2012 Seckel ..... H01H 13/83  
200/345

(Continued)

*Primary Examiner* — Karen S Acker  
*Assistant Examiner* — Wendy Arminio  
(74) *Attorney, Agent, or Firm* — Dority & Manning, P.A.

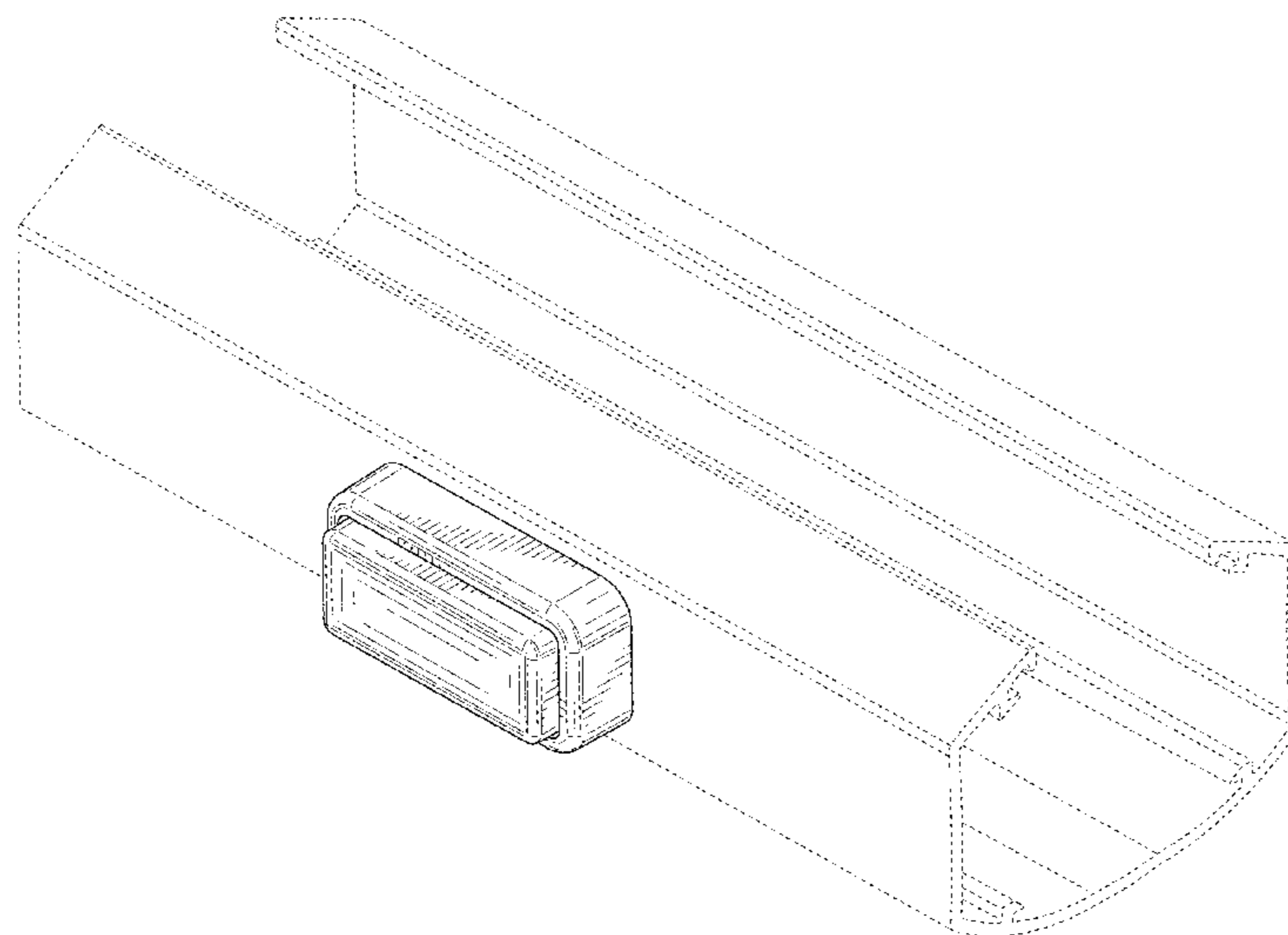
(57) **CLAIM**

The ornamental design for a button for a window covering, as shown and described.

**DESCRIPTION**

FIG. 1 is a top perspective view of a button for a window covering showing our design in a position of use;  
FIG. 2 is a front view thereof;  
FIG. 3 is a top view thereof;  
FIG. 4 is a bottom view thereof; and,  
FIG. 5 is a left side view thereof, the right side view being a mirror image thereof.  
The rear of the button cannot be seen when the button is in use. The broken lines in FIGS. 1-5 represent environmental structure that forms no part of the claimed design.

**1 Claim, 5 Drawing Sheets**



(56)

**References Cited**

U.S. PATENT DOCUMENTS

2012/0298493 A1\* 11/2012 Hogan ..... G05G 1/02  
200/314  
2015/0348723 A1\* 12/2015 Sugiyama ..... H01H 13/023  
200/314  
2016/0010389 A1\* 1/2016 Anderson ..... E06B 9/322  
188/65.1

\* cited by examiner

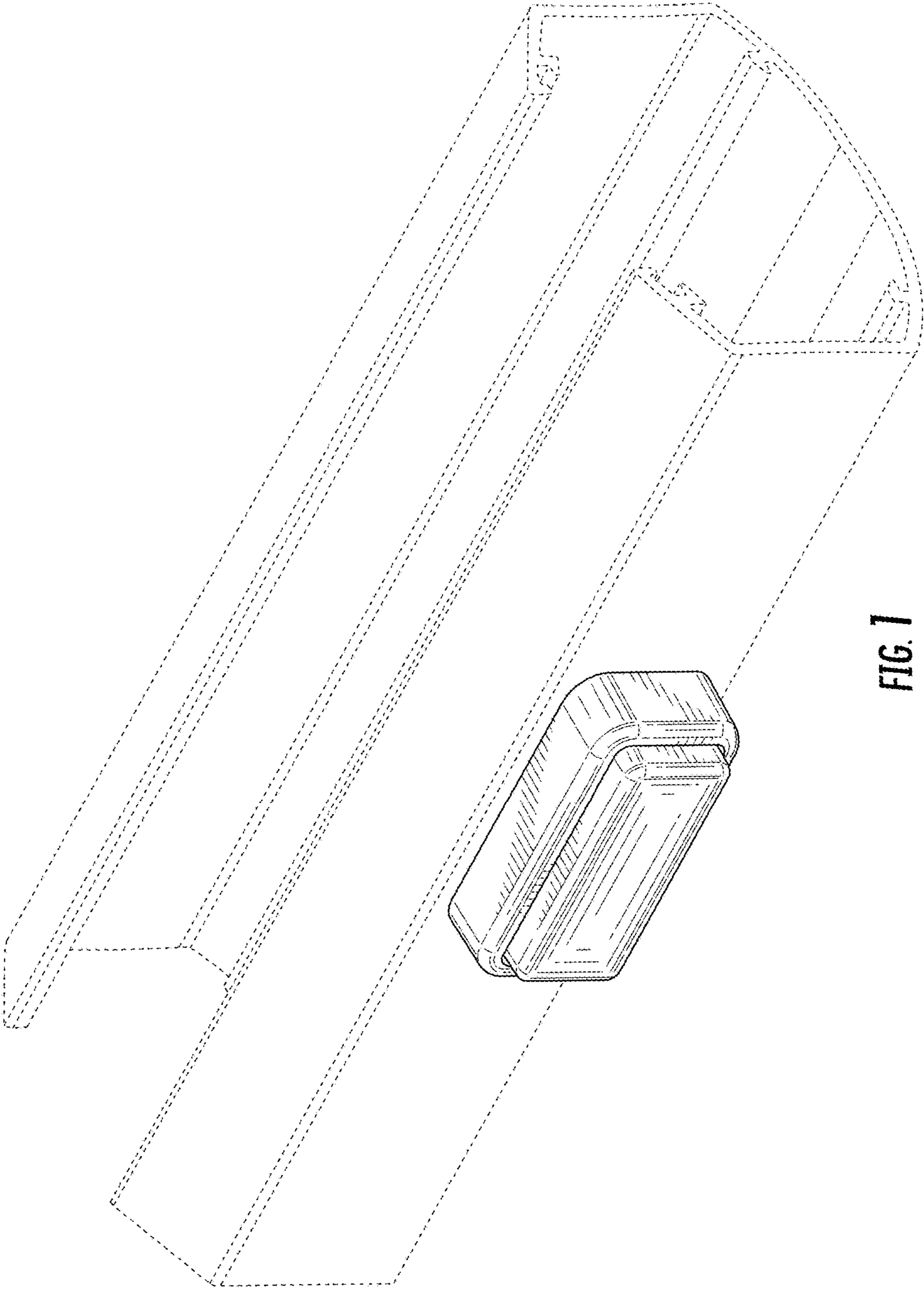


FIG. 1

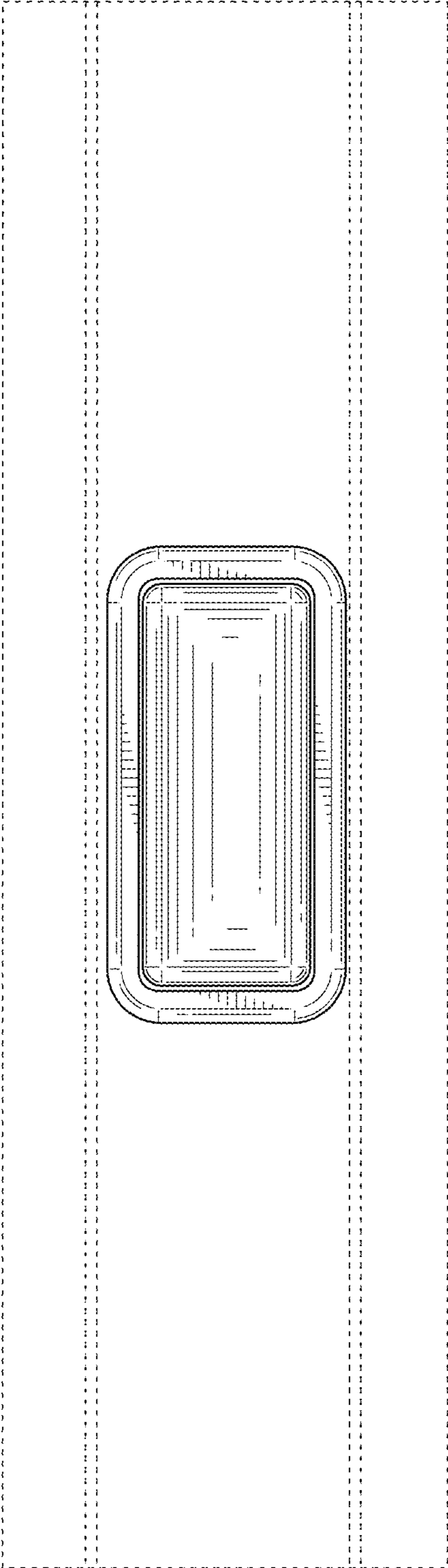


FIG. 2

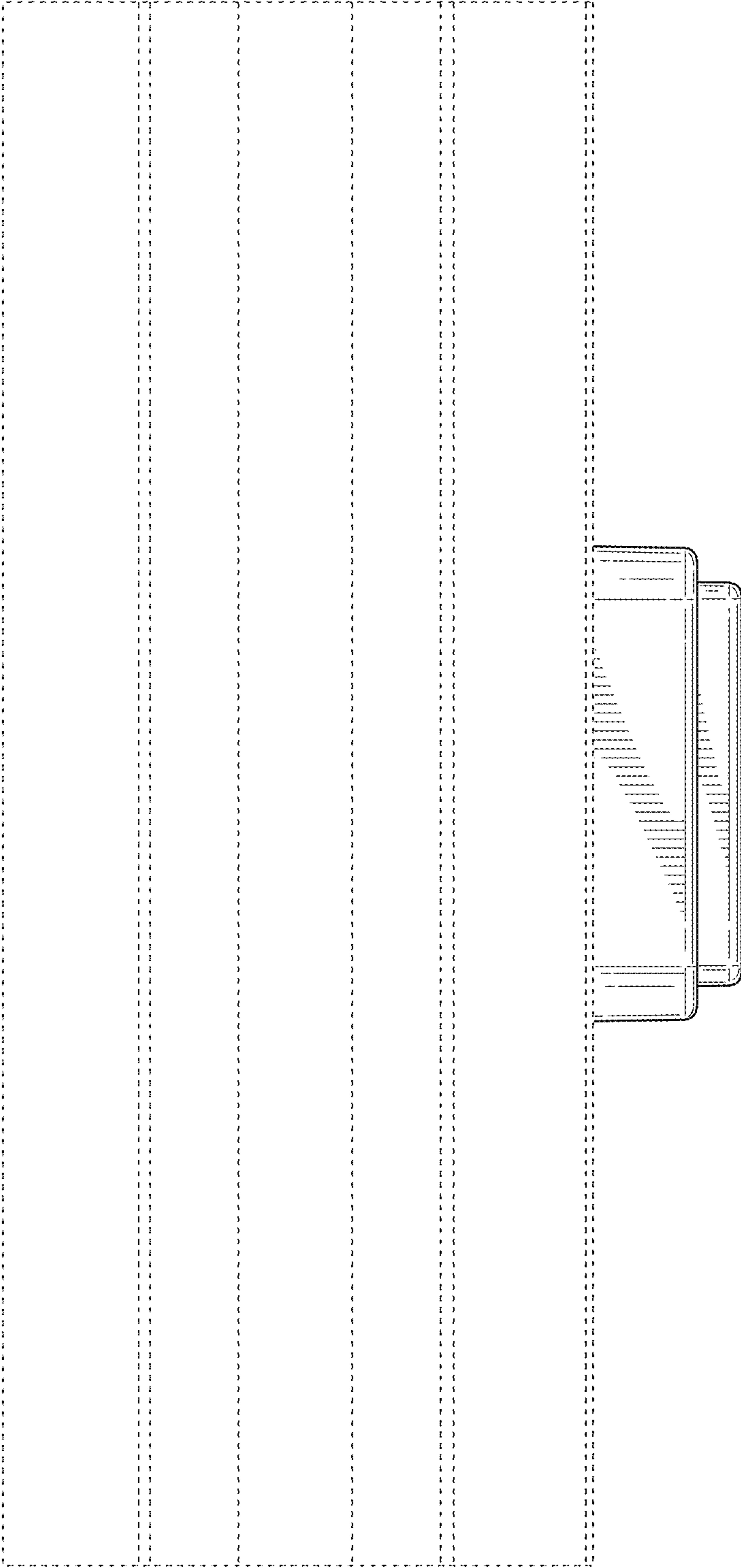


FIG. 3

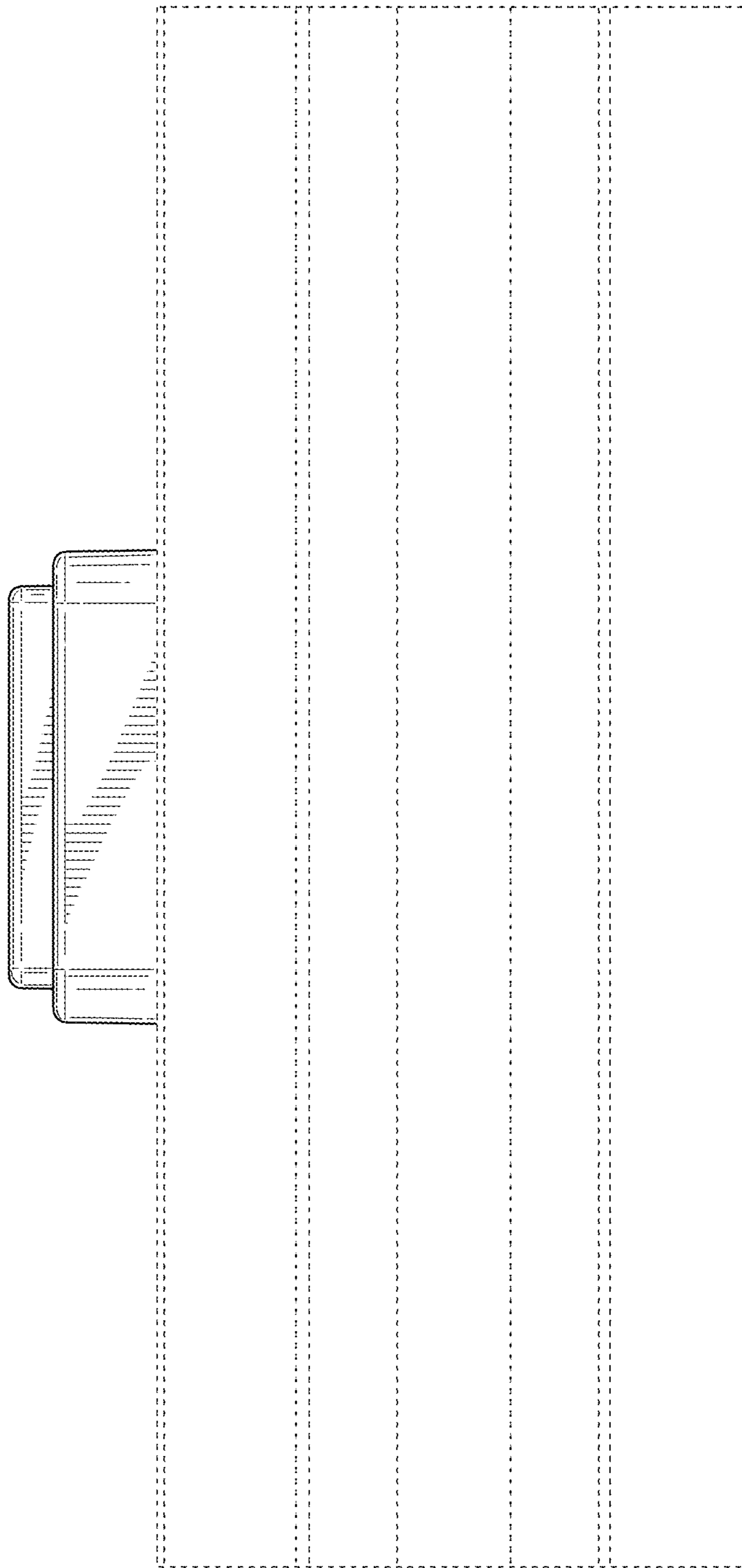


FIG. 4

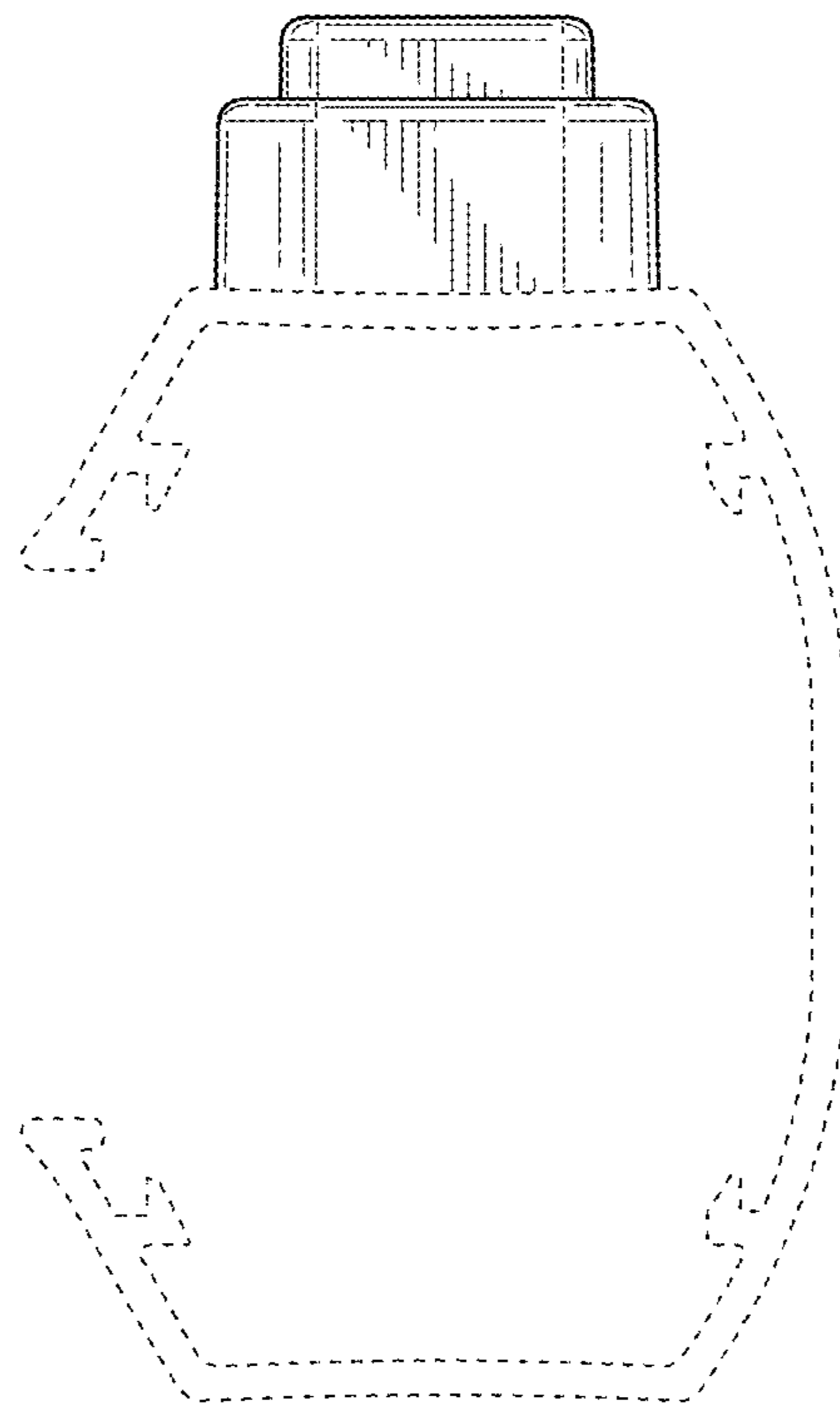


FIG. 5