

US00D830077S

(12) **United States Design Patent** (10) **Patent No.:** **US D830,077 S**
D'Halluin et al. (45) **Date of Patent:** **** Oct. 9, 2018**

(54) **AIRPLANE BENCH**

(56) **References Cited**

(71) Applicant: **DASSAULT AVIATION**, Paris (FR)
(72) Inventors: **Marion D'Halluin**, Boulogne
Billancourt (FR); **Jean-Remi Billon**,
Paris (FR); **Matthieu Poidatz**, Suresnes
(FR); **Agnès Gervais**, Paris (FR)

U.S. PATENT DOCUMENTS

D576,820 S * 9/2008 Priestman D12/345
D724,336 S * 3/2015 Lawson D6/356
D751,837 S * 3/2016 Sethapun D6/356
D772,779 S * 11/2016 Fulford D12/345
2018/0118350 A1 * 5/2018 Davis B64D 11/064

(73) Assignee: **DASSAULT AVIATION**, Paris (FR)

* cited by examiner

(**) Term: **15 Years**

Primary Examiner — Deanna L Pratt

(21) Appl. No.: **29/603,957**

(74) *Attorney, Agent, or Firm* — Davidson, Davidson &
Kappel, LLC

(22) Filed: **May 15, 2017**

(57) **CLAIM**

The ornamental design for an airplane bench, as shown and described.

(30) **Foreign Application Priority Data**

DESCRIPTION

Nov. 14, 2016 (EM) RCD003463124-0002

(51) **LOC (11) Cl.** **06-01**

(52) **U.S. Cl.**

USPC **D6/356**; D12/345

(58) **Field of Classification Search**

USPC D6/356, 335-338, 357, 360, 367, 716.4,

D6/716.1, 349; D12/400, 345, 190, 195

CPC . B64D 11/06; B64D 11/0641; B64D 11/0604;

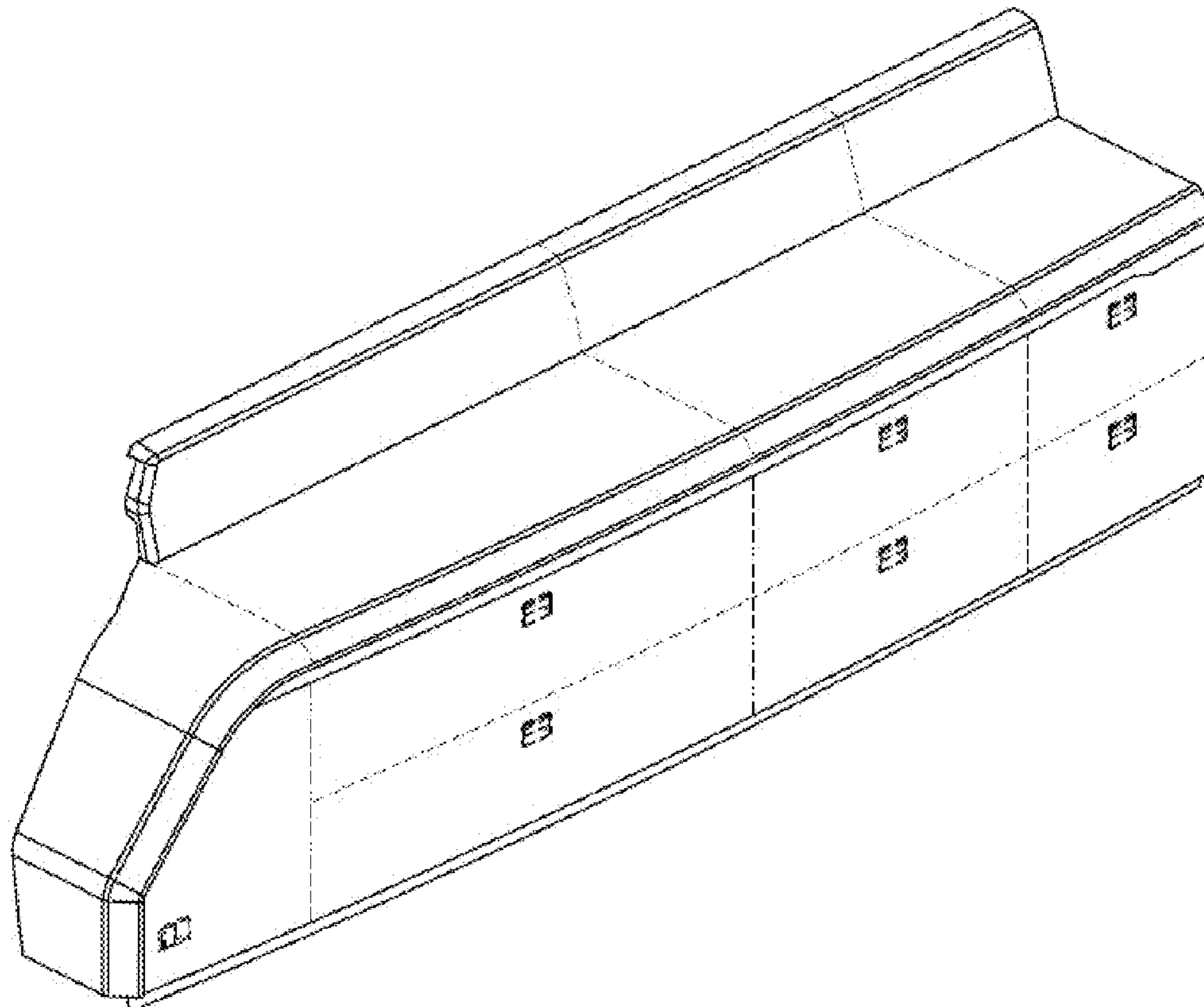
B64D 11/0606; B64D 11/0601; B64D

11/064; B64D 11/0643

See application file for complete search history.

FIG. 1 is a front perspective view of the claimed design;
FIG. 2 is a front elevation view of the claimed design;
FIG. 3 is a top plan view of the claimed design;
FIG. 4 is a left side elevation view of the claimed design;
and,
FIG. 5 is a right side elevation view of the claimed design.
The broken lines illustrate portions of the airplane bench that form no part of the claimed design.

1 Claim, 5 Drawing Sheets



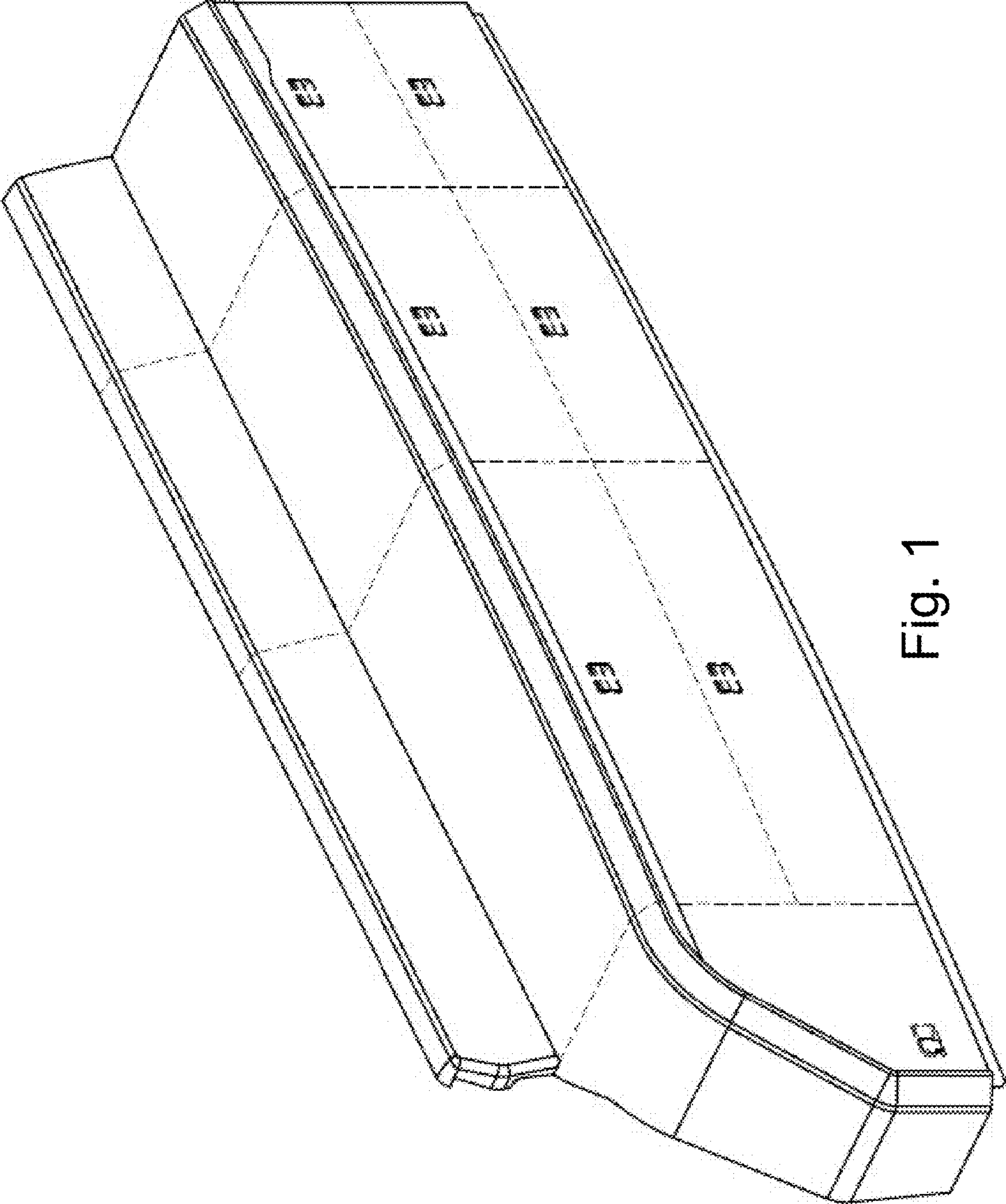


Fig. 1

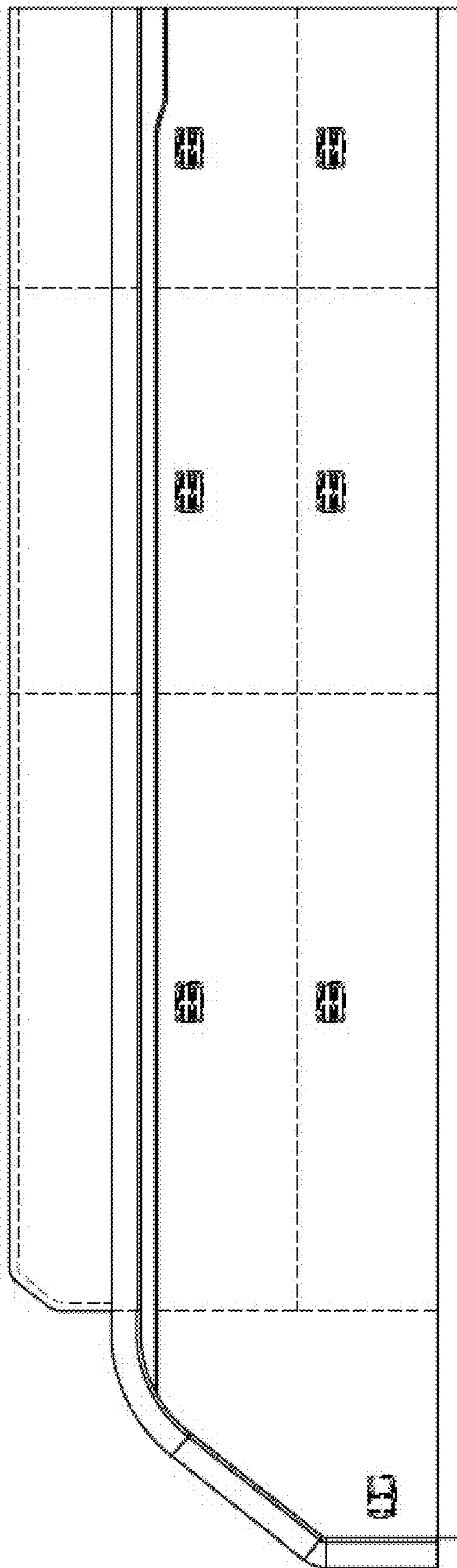


Fig. 2

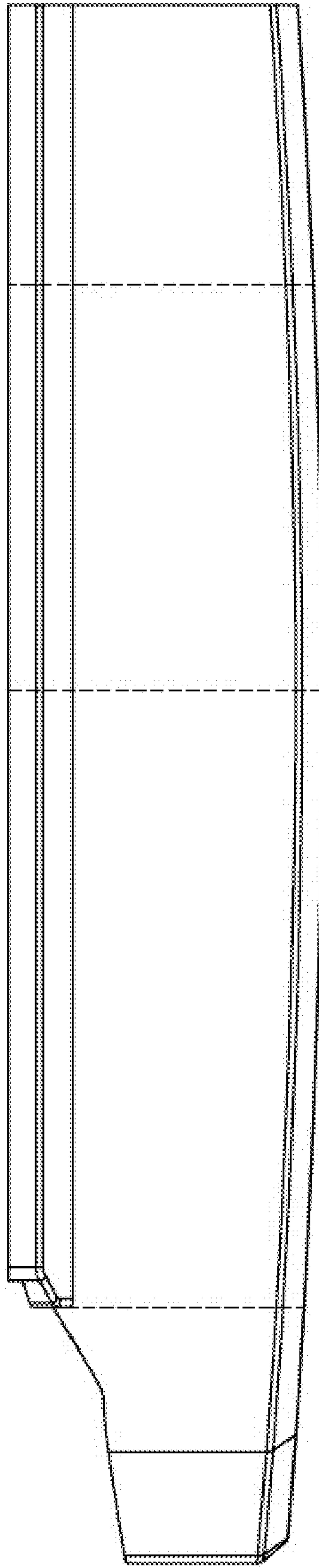


Fig. 3

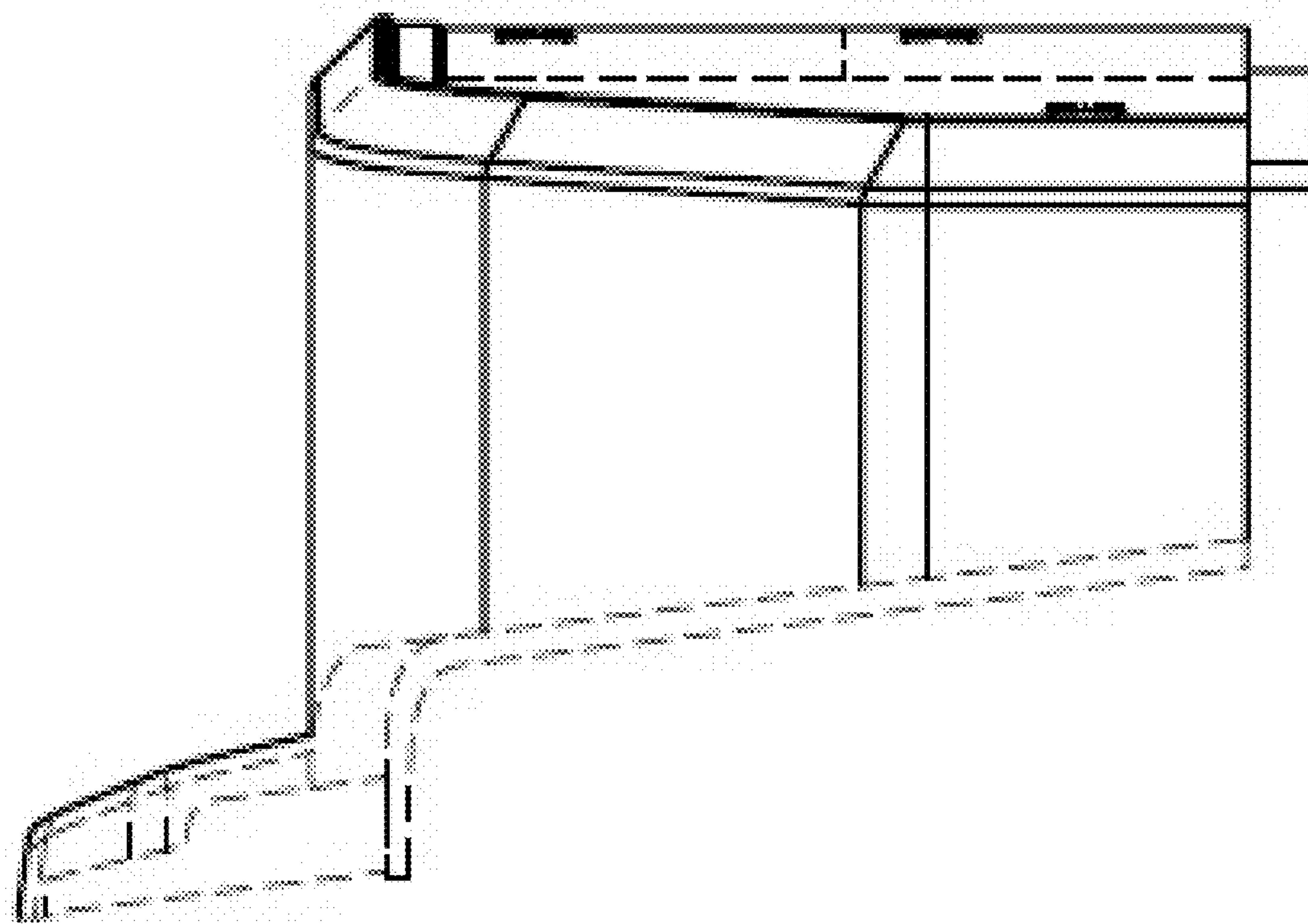


Fig. 4

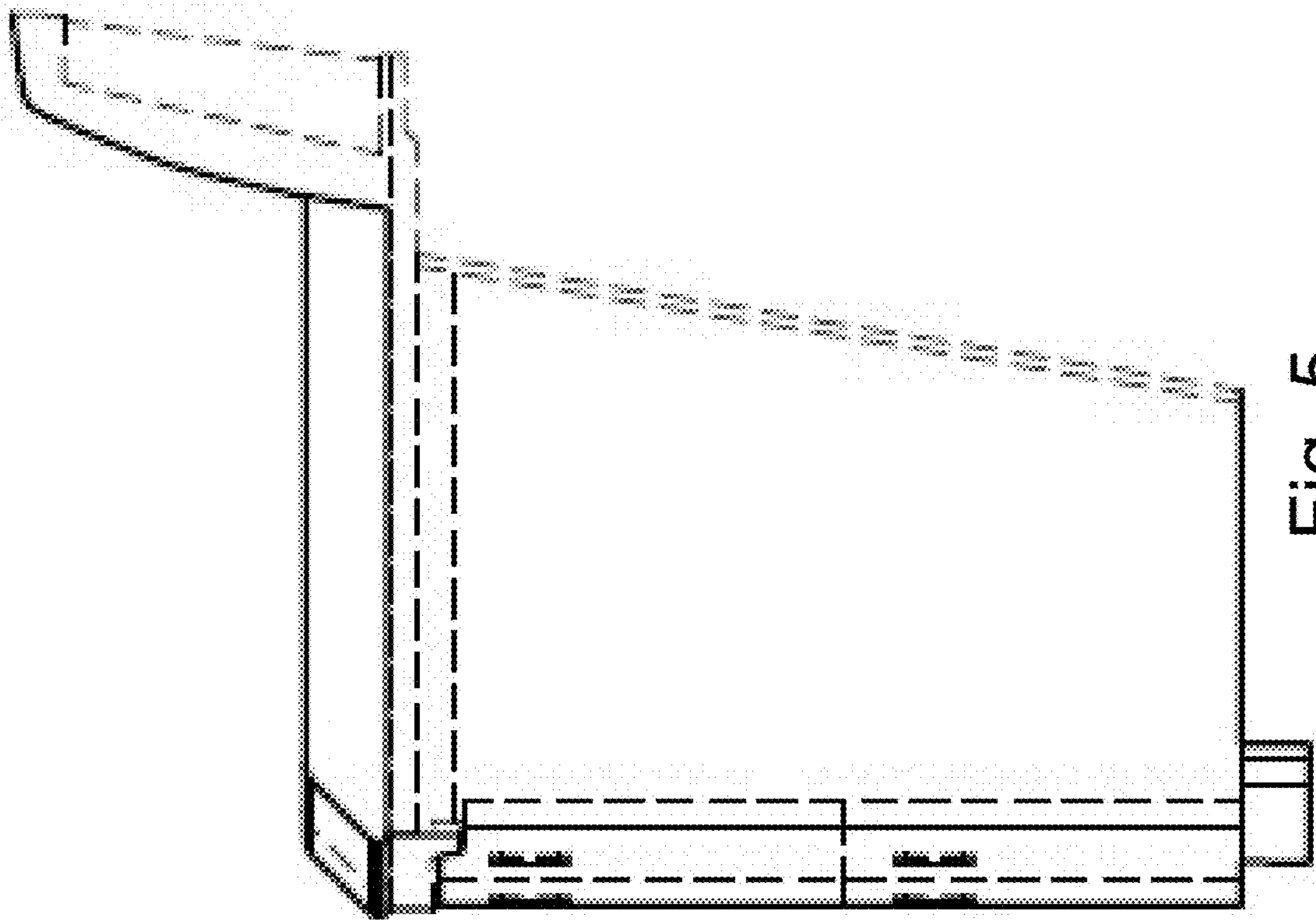


Fig. 5