



US00D830074S

(12) **United States Design Patent**
Hagan et al.

(10) **Patent No.:** **US D830,074 S**
(45) **Date of Patent:** **** Oct. 9, 2018**

(54) **RECONFIGURABLE ROCKING CHAIR**

(71) Applicants: **William R. Hagan**, Winchester, VA (US); **Shane M. Deverill**, Peachtree City, GA (US)

(72) Inventors: **William R. Hagan**, Winchester, VA (US); **Shane M. Deverill**, Peachtree City, GA (US)

(73) Assignee: **Cobblestone Colonels, LLC**, Winchester, VA (US)

(**) Term: **15 Years**

(21) Appl. No.: **29/570,948**

(22) Filed: **Jul. 13, 2016**

Related U.S. Application Data

(63) Continuation of application No. 14/820,812, filed on Aug. 7, 2015, now abandoned.

(51) **LOC (11) Cl.** **06-01**

(52) **U.S. Cl.**
USPC **D6/348**

(58) **Field of Classification Search**
USPC D6/334-336, 344, 348, 370, 376, 380,
D6/716, 716.1, 716.2, 716.3, 716.4;
D21/412

(Continued)

(56) **References Cited**

U.S. PATENT DOCUMENTS

205,070 A * 6/1878 Fernquist A47C 3/029
297/271.2
221,062 A * 10/1879 Hayes A47C 3/029
297/32

(Continued)

FOREIGN PATENT DOCUMENTS

CN 103222746 A 7/2013

OTHER PUBLICATIONS

International Search Report and the Written Opinion for International Application No. PCT/US2016/045839 dated Oct. 26, 2016; 13 pgs.

(Continued)

Primary Examiner — Mimosa De

(74) *Attorney, Agent, or Firm* — Merchant & Gould P.C.

(57) **CLAIM**

The ornamental design for a reconfigurable rocking chair, as shown and described.

DESCRIPTION

FIG. 1 is a perspective view of a reconfigurable rocking chair showing my new design, the reconfigurable rocking chair being shown in a first configuration.

FIG. 2 is a left side elevation view of the reconfigurable rocking chair shown in FIG. 1;

FIG. 3 is a right side elevation view of the reconfigurable rocking chair shown in FIG. 1;

FIG. 4 is a front elevation view of the reconfigurable rocking chair shown in FIG. 1;

FIG. 5 is a back elevation view of the reconfigurable rocking chair shown in FIG. 1;

FIG. 6 is a top plan view of the reconfigurable rocking chair shown in FIG. 1;

FIG. 7 is a bottom plan view of the reconfigurable rocking chair shown in FIG. 1;

FIG. 8 is a perspective view of a reconfigurable rocking chair showing my new design, the reconfigurable rocking chair being shown in a second configuration.

FIG. 9 is a left side elevation view of the reconfigurable rocking chair shown in FIG. 8;

FIG. 10 is a right side elevation view of the reconfigurable rocking chair shown in FIG. 8;

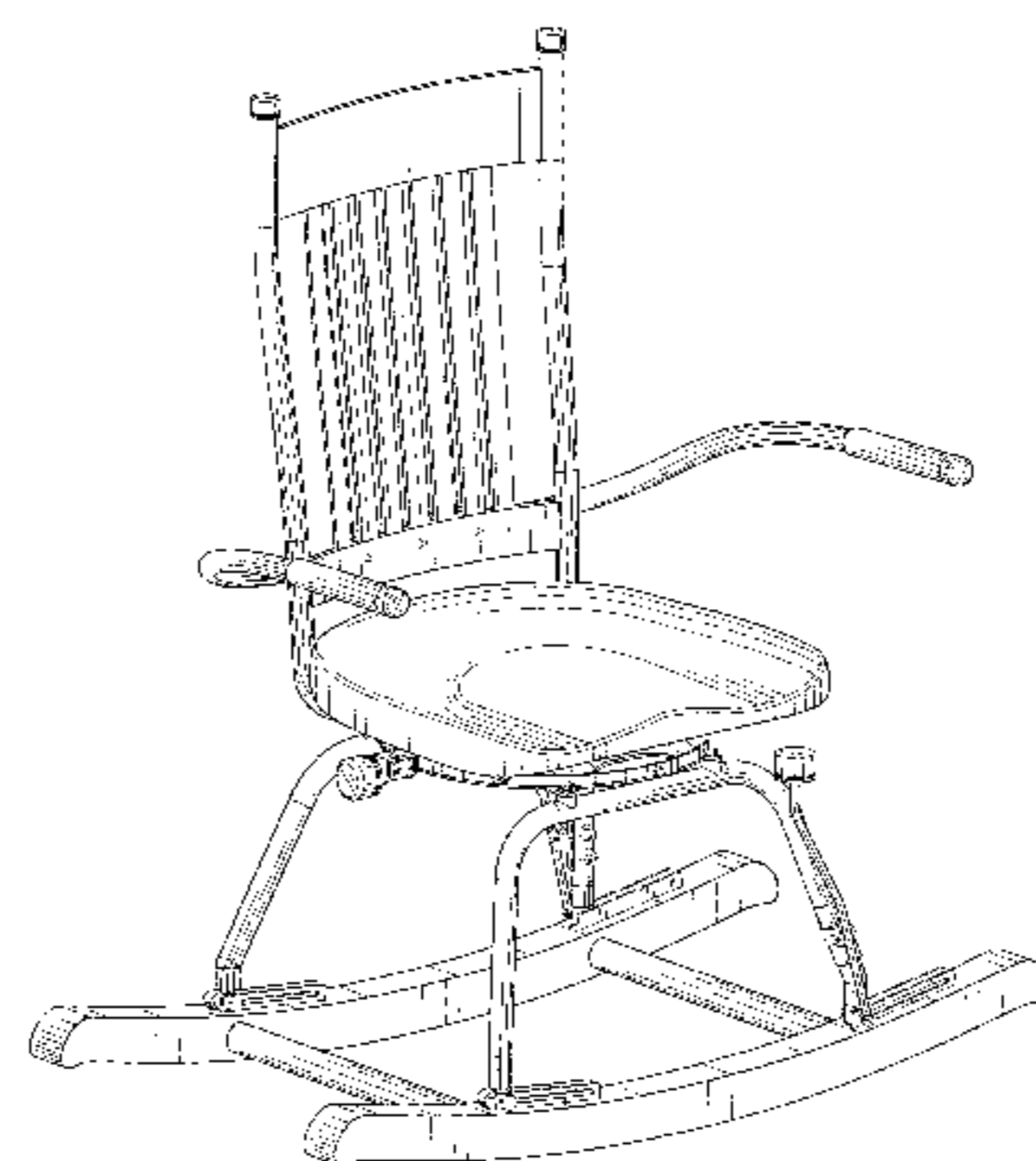
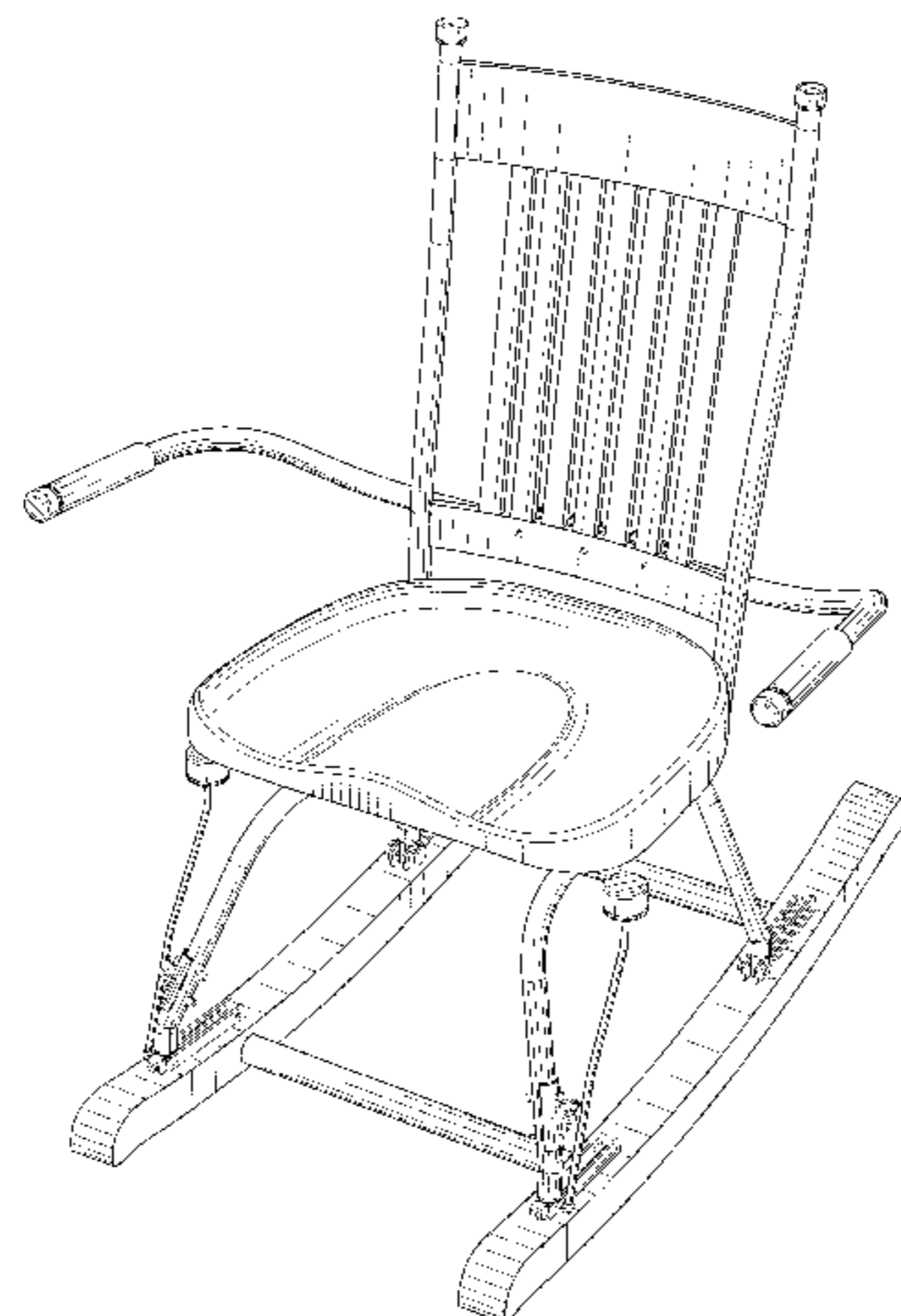
FIG. 11 is a front elevation view of the reconfigurable rocking chair shown in FIG. 8;

FIG. 12 is a back elevation view of the reconfigurable rocking chair shown in FIG. 8;

FIG. 13 is a top plan view of the reconfigurable rocking chair shown in FIG. 8; and,

FIG. 14 is a bottom plan view of the reconfigurable rocking chair shown in FIG. 8.

1 Claim, 12 Drawing Sheets



(58) **Field of Classification Search**

CPC .. A47C 3/02; A47C 3/029; A47C 5/04; A47C
7/16; A47D 13/10; A47D 13/102

See application file for complete search history.

(56) **References Cited**

U.S. PATENT DOCUMENTS

240,793 A * 4/1881 Wakefield A47C 3/029
297/32
251,034 A * 12/1881 Franz A47C 3/029
297/271.2
255,104 A * 3/1882 Dryfoos et al. A47C 3/029
297/133
678,376 A 7/1901 Carlson
3,910,633 A 10/1975 Marsh et al.
6,024,409 A 2/2000 Collins
D578,314 S * 10/2008 Kalaouze D6/348
7,537,285 B2 * 5/2009 Stewart A47C 3/029
297/130
7,597,397 B2 10/2009 McCoy et al.
D734,970 S * 7/2015 Mulholland D6/370
D816,357 S * 5/2018 Hagan D6/348

OTHER PUBLICATIONS

Copending U.S. Appl. No. 14/820,812, filed Aug. 7, 2015 by
William R. Hagan, et al., entitled "Reconfigurable Rocking Chair".

* cited by examiner

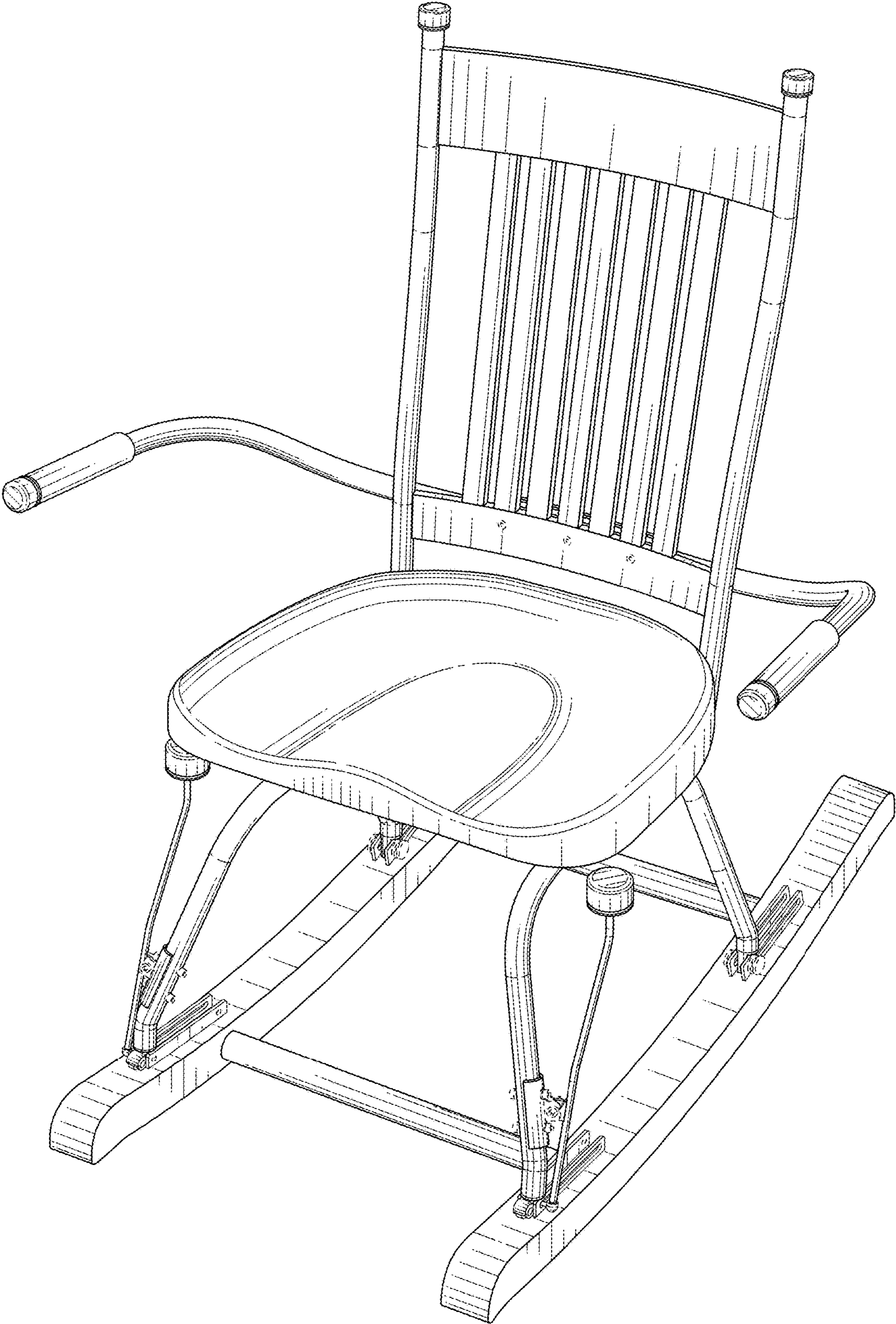


FIG. 1

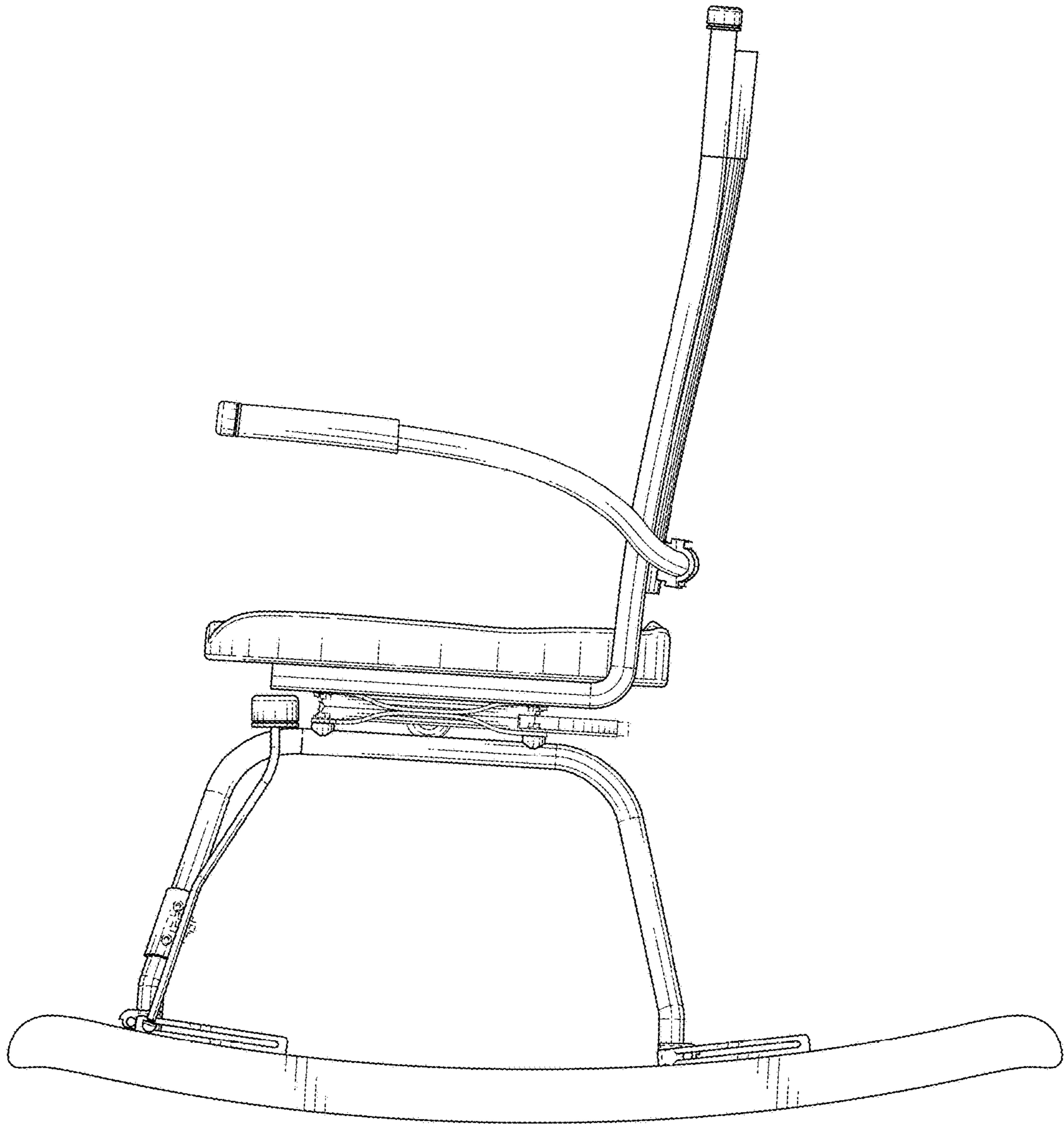


FIG. 2

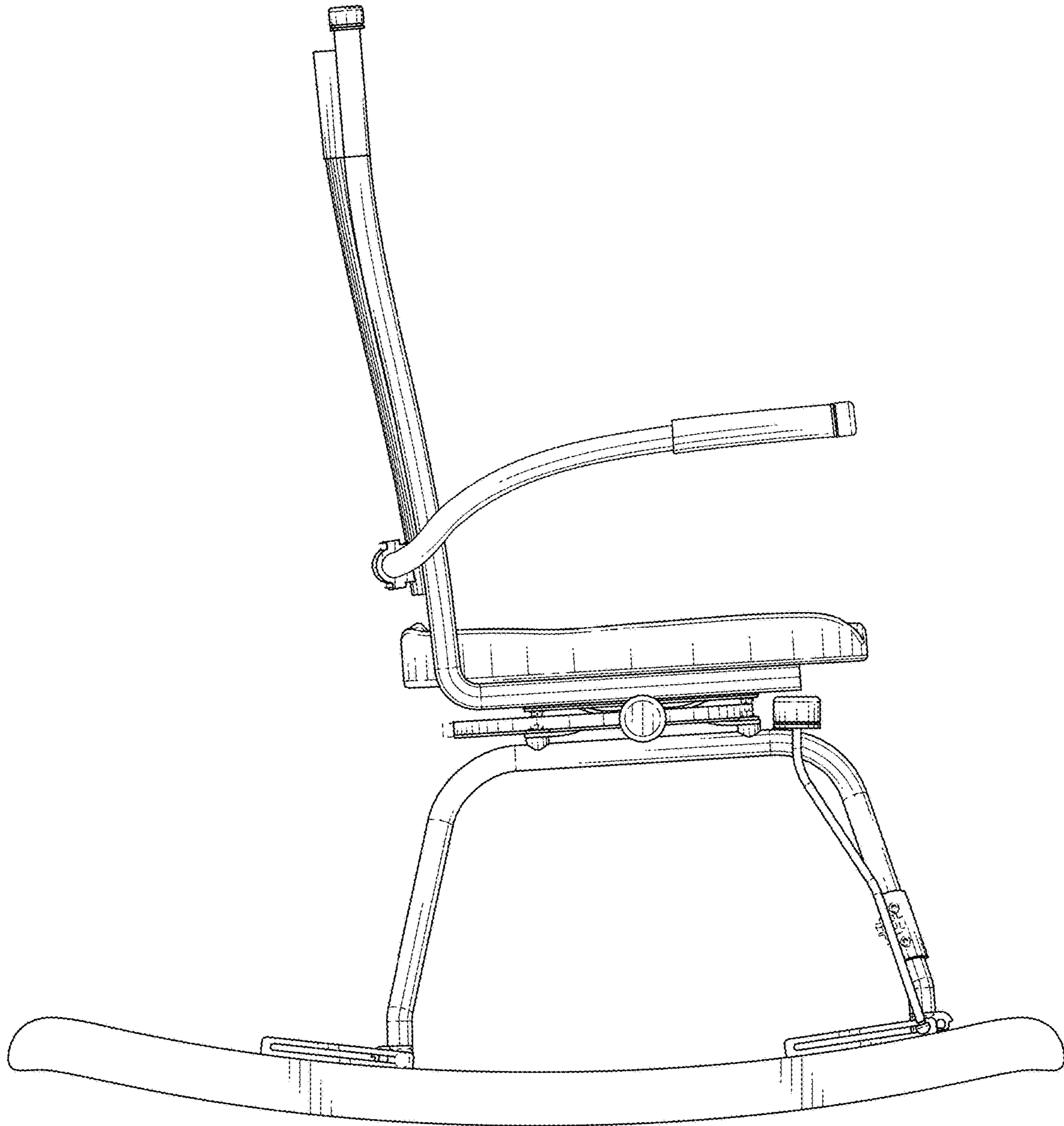


FIG. 3

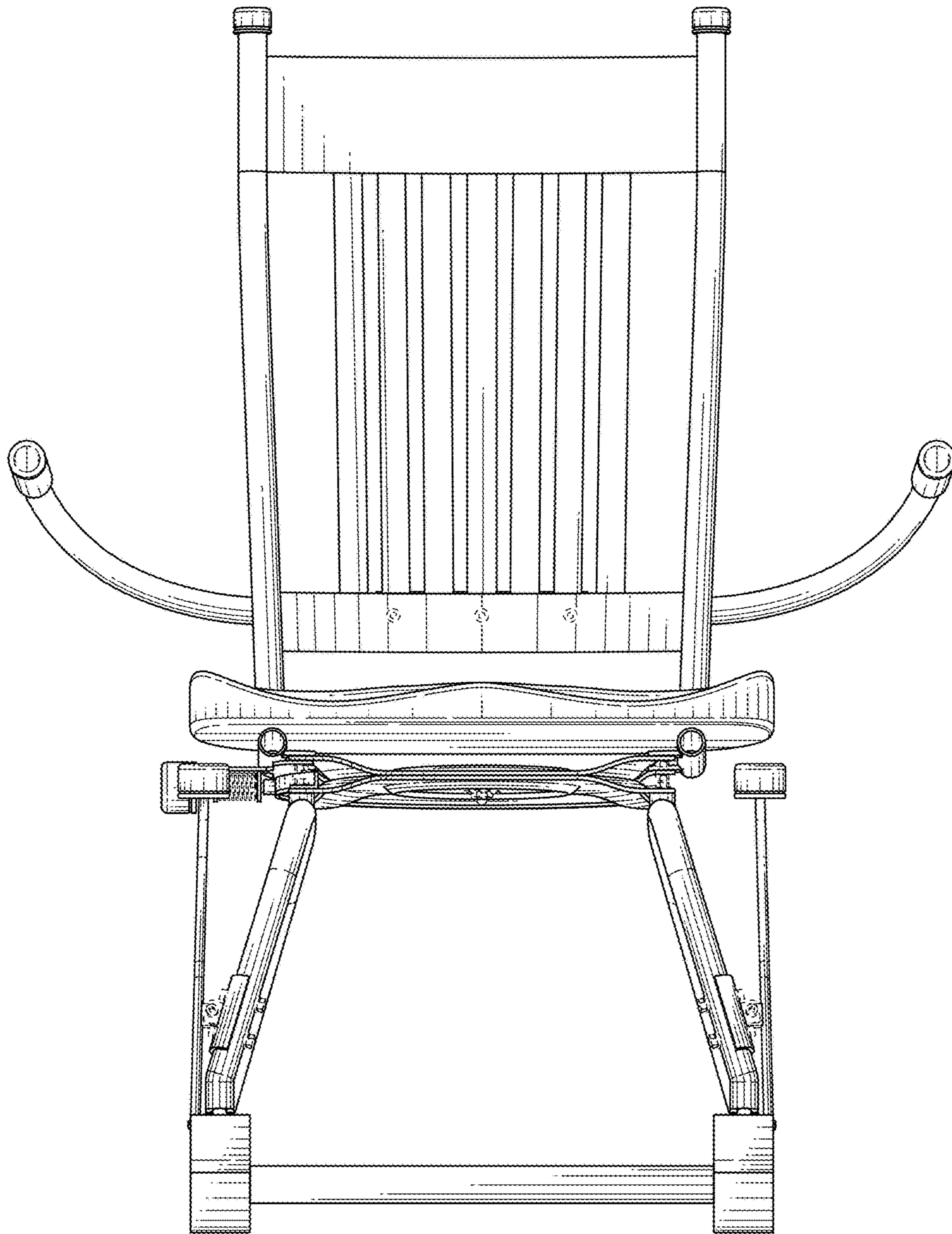


FIG. 4

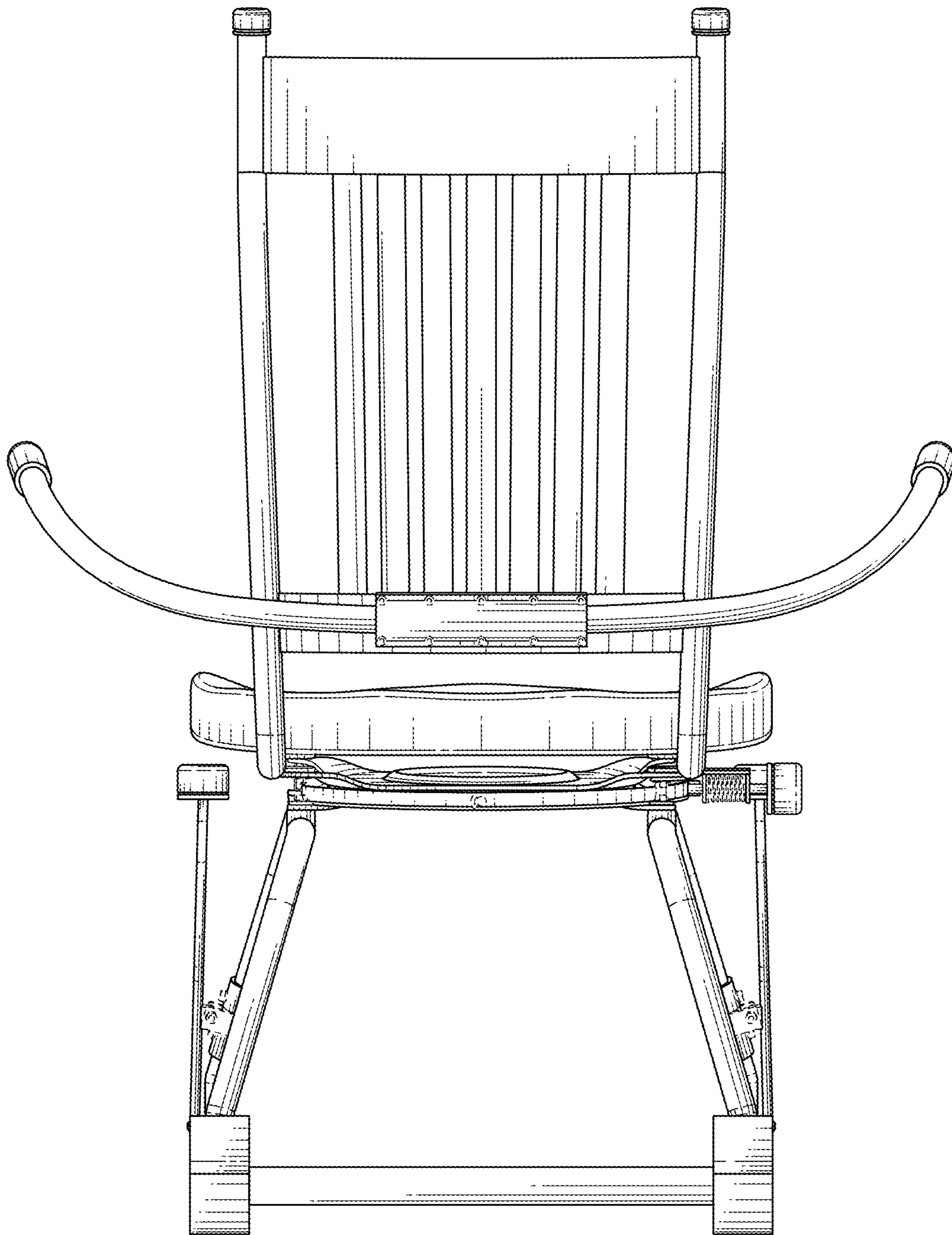


FIG. 5

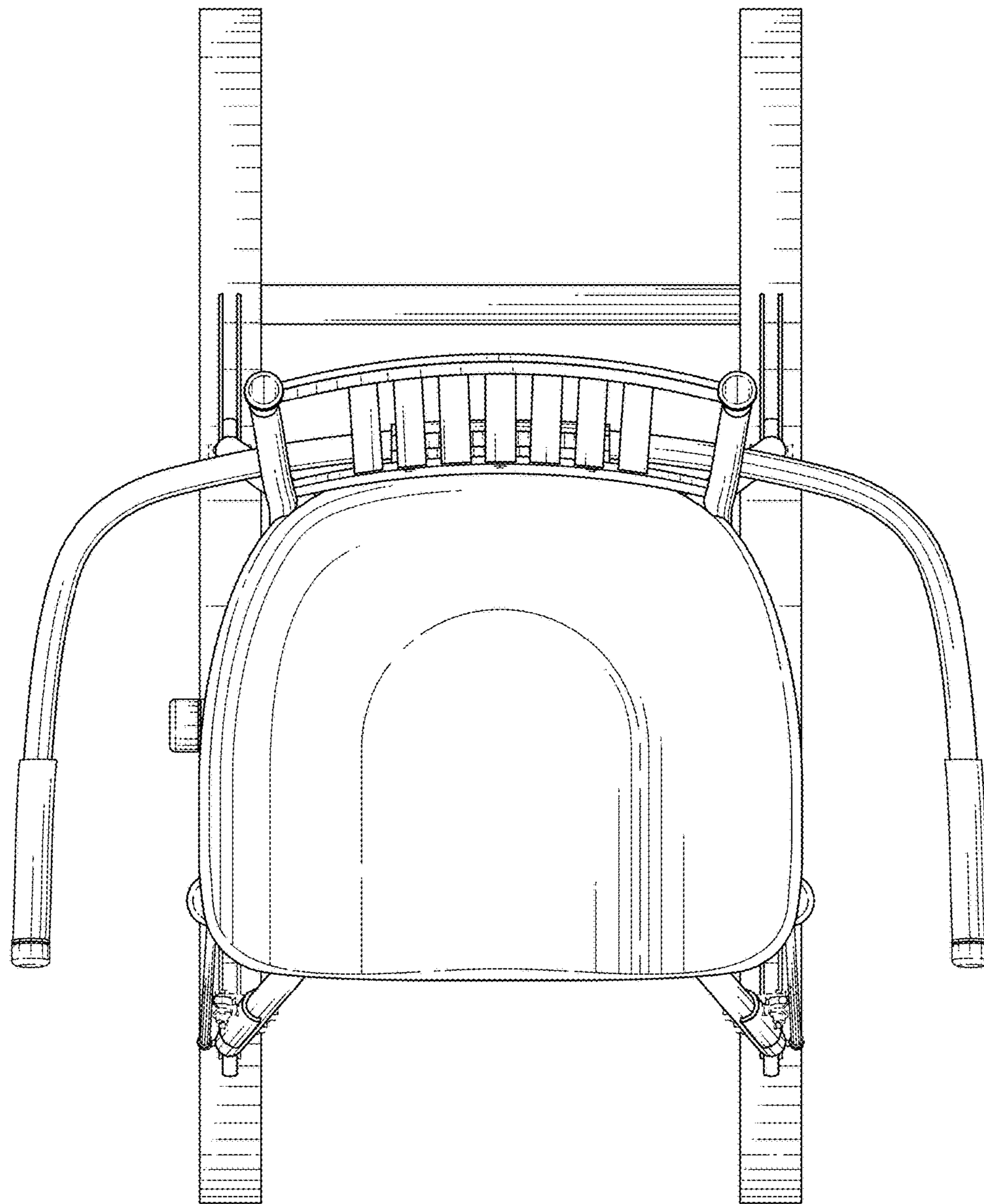


FIG. 6

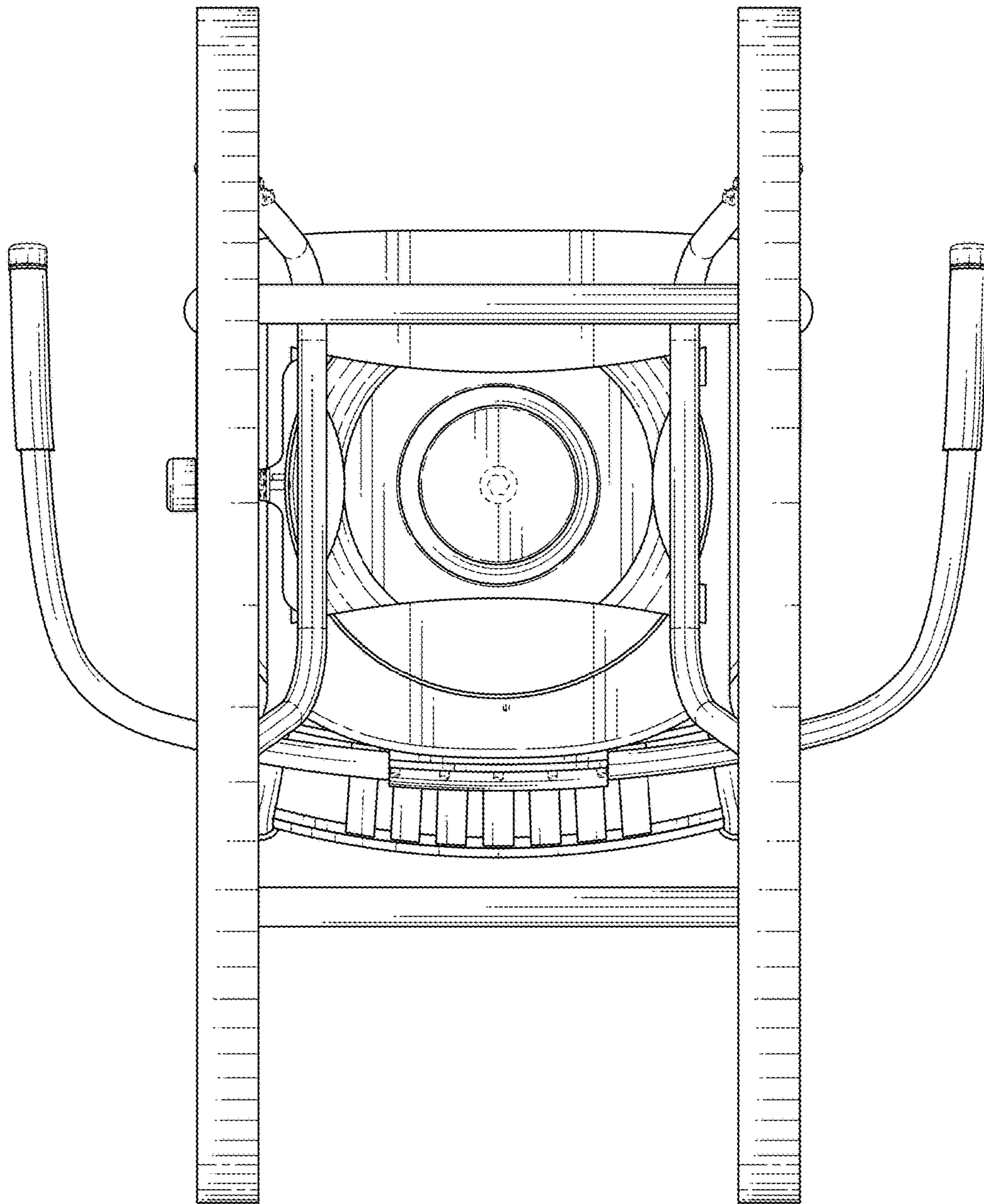


FIG. 7



FIG. 8

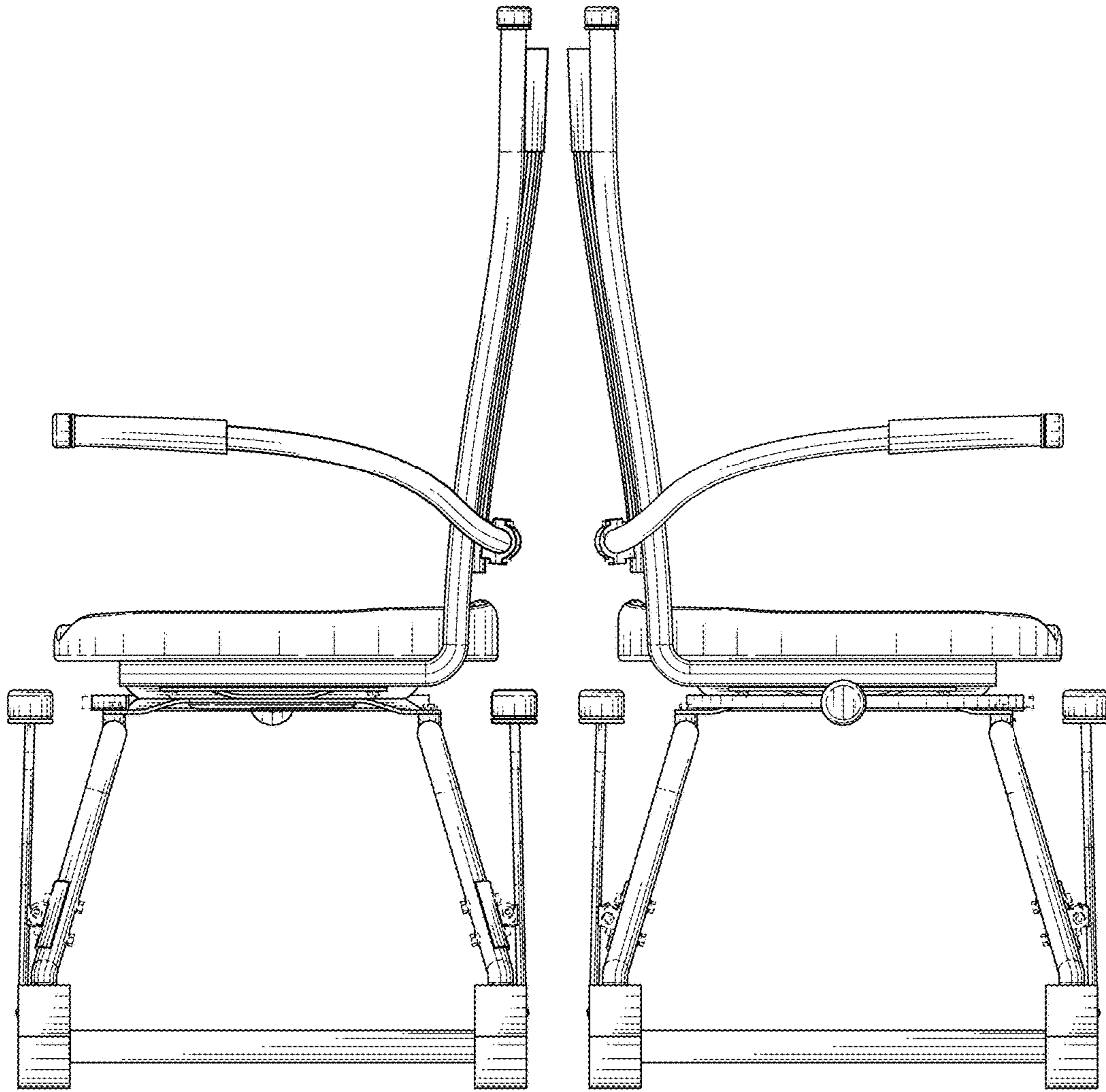


FIG. 9

FIG. 10

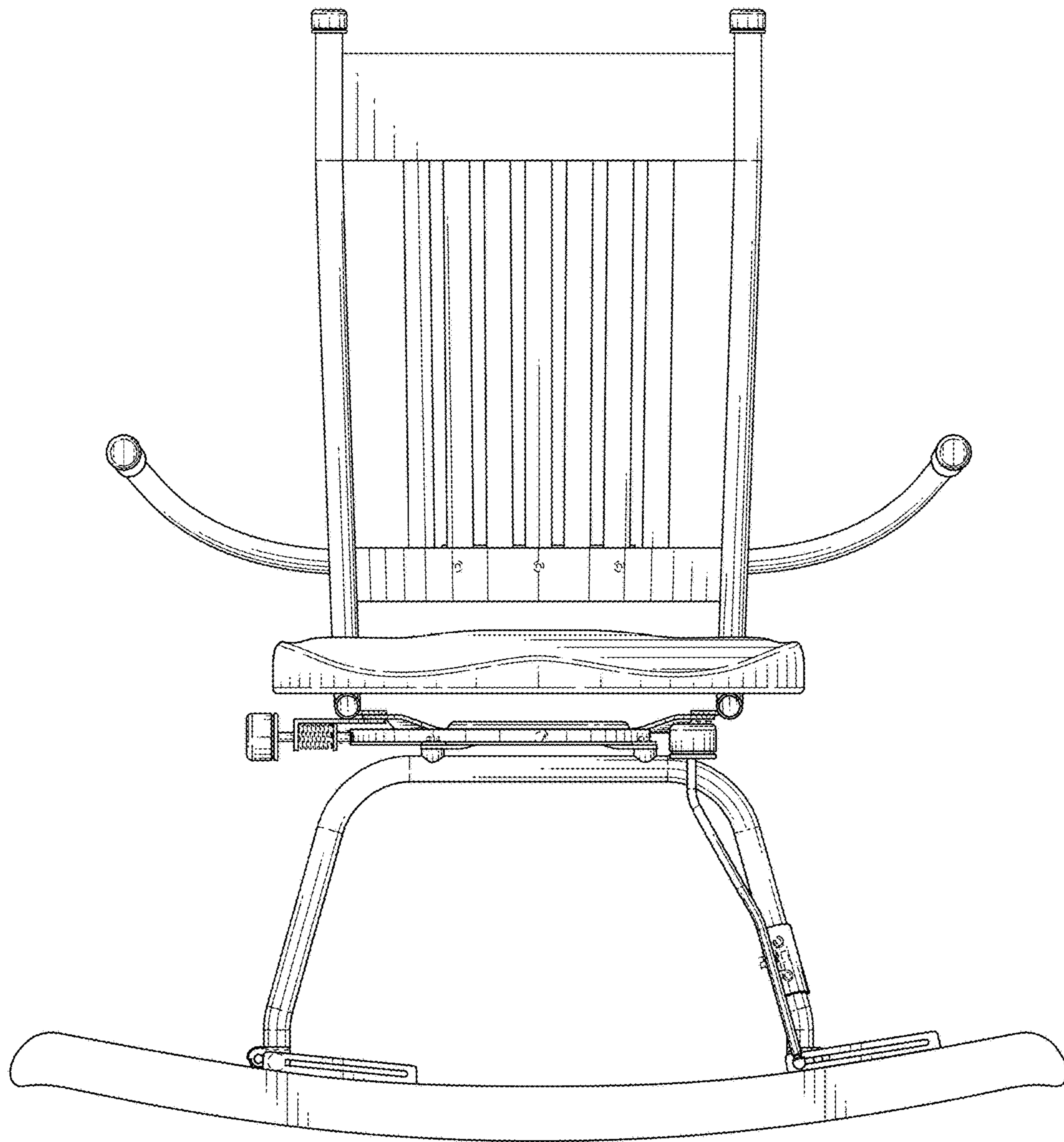


FIG. 11

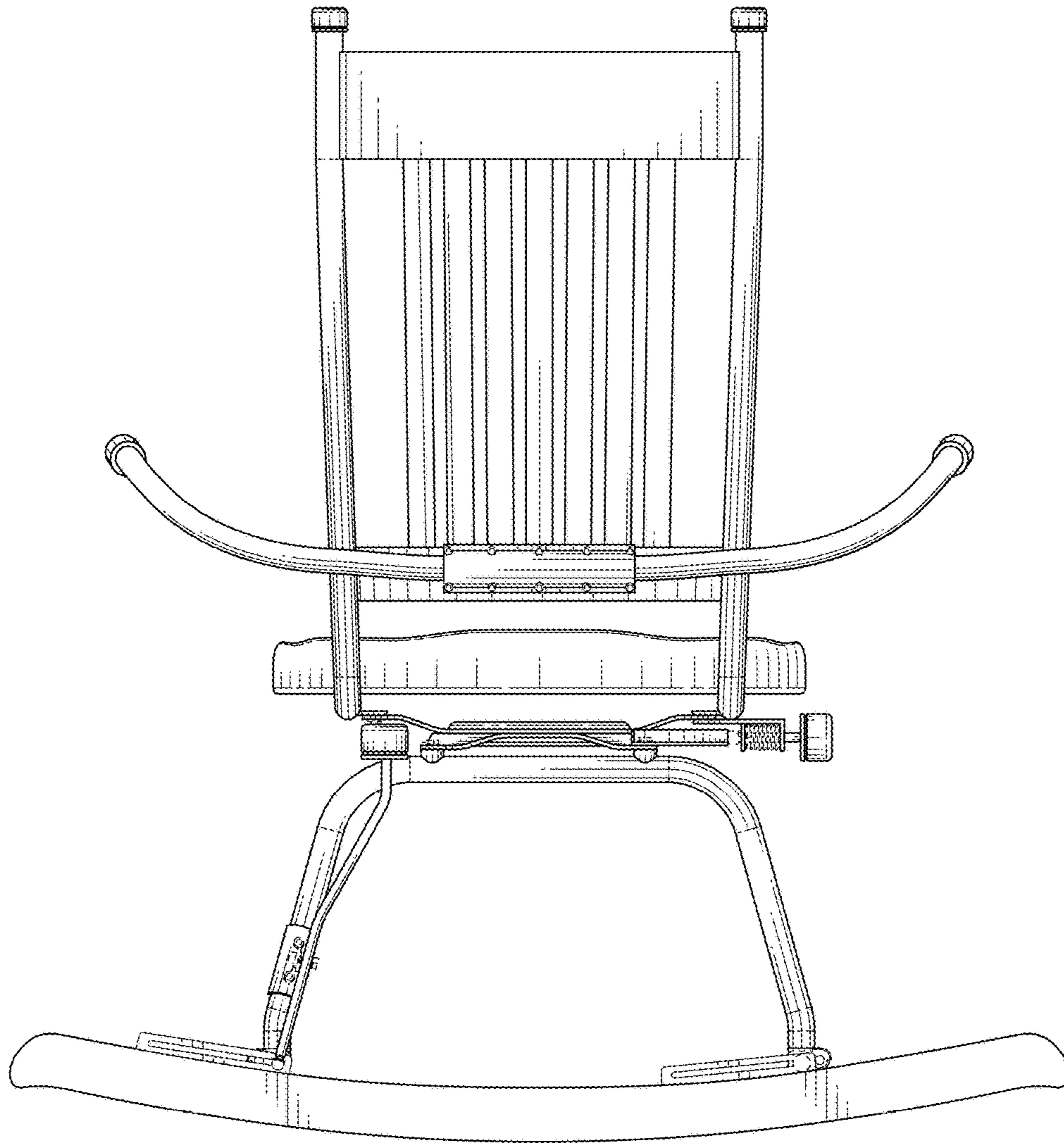


FIG. 12

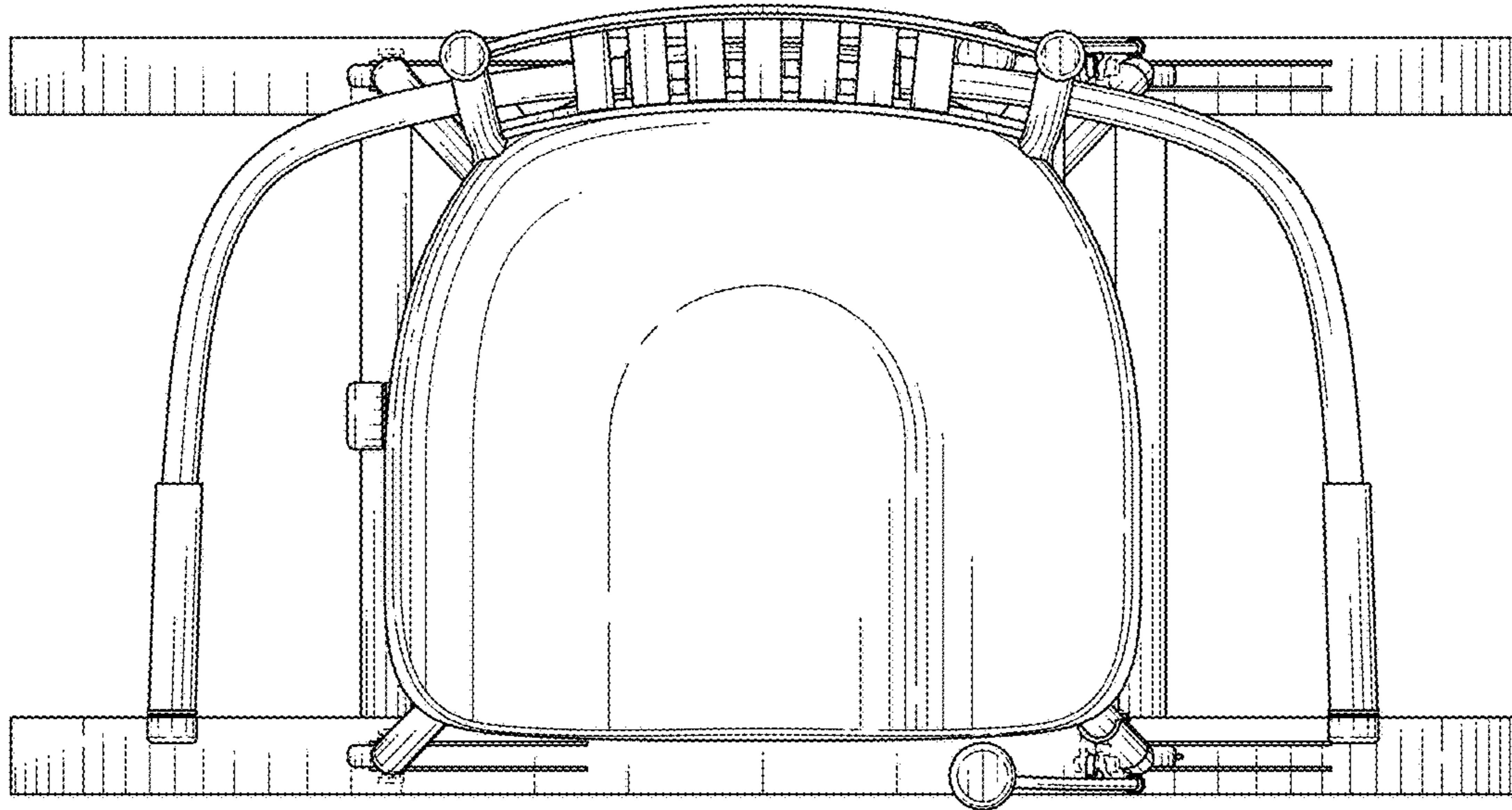


FIG. 13

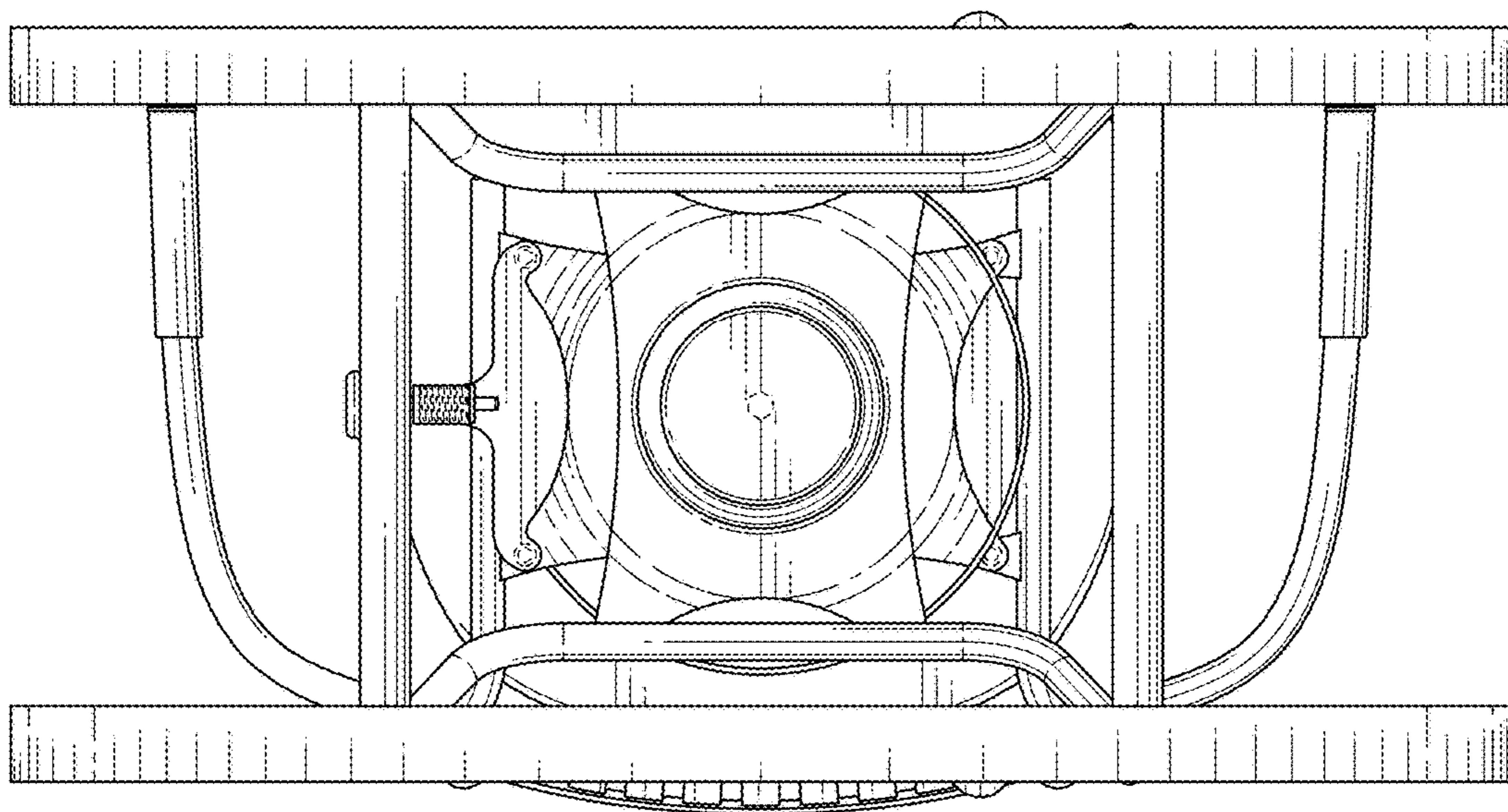


FIG. 14